

[54] VACUUM CLEANER HOSE COUPLING

[76] Inventor: Maurice E. Smith, P.O. Box 526,
Camino, Calif. 95709

[**] Term: 14 Years

[21] Appl. No.: 842,422

[22] Filed: Mar. 10, 1986

[52] U.S. Cl. D32/31

[58] Field of Search D32/31-33;
15/415 R, 415 A, 414, 418-422, 322; 285/7;
138/118, 118.1, 119, 121, 122; D23/264, 387

[56] References Cited

U.S. PATENT DOCUMENTS

- D. 267,906 2/1983 Parise et al. D32/31
- 4,340,089 7/1982 Freiherr Von Arnim et
al. 138/121

- 4,417,638 11/1983 Harvey 285/7
- 4,618,195 10/1986 Keane 285/7
- 4,660,860 11/1985 Todd 285/12

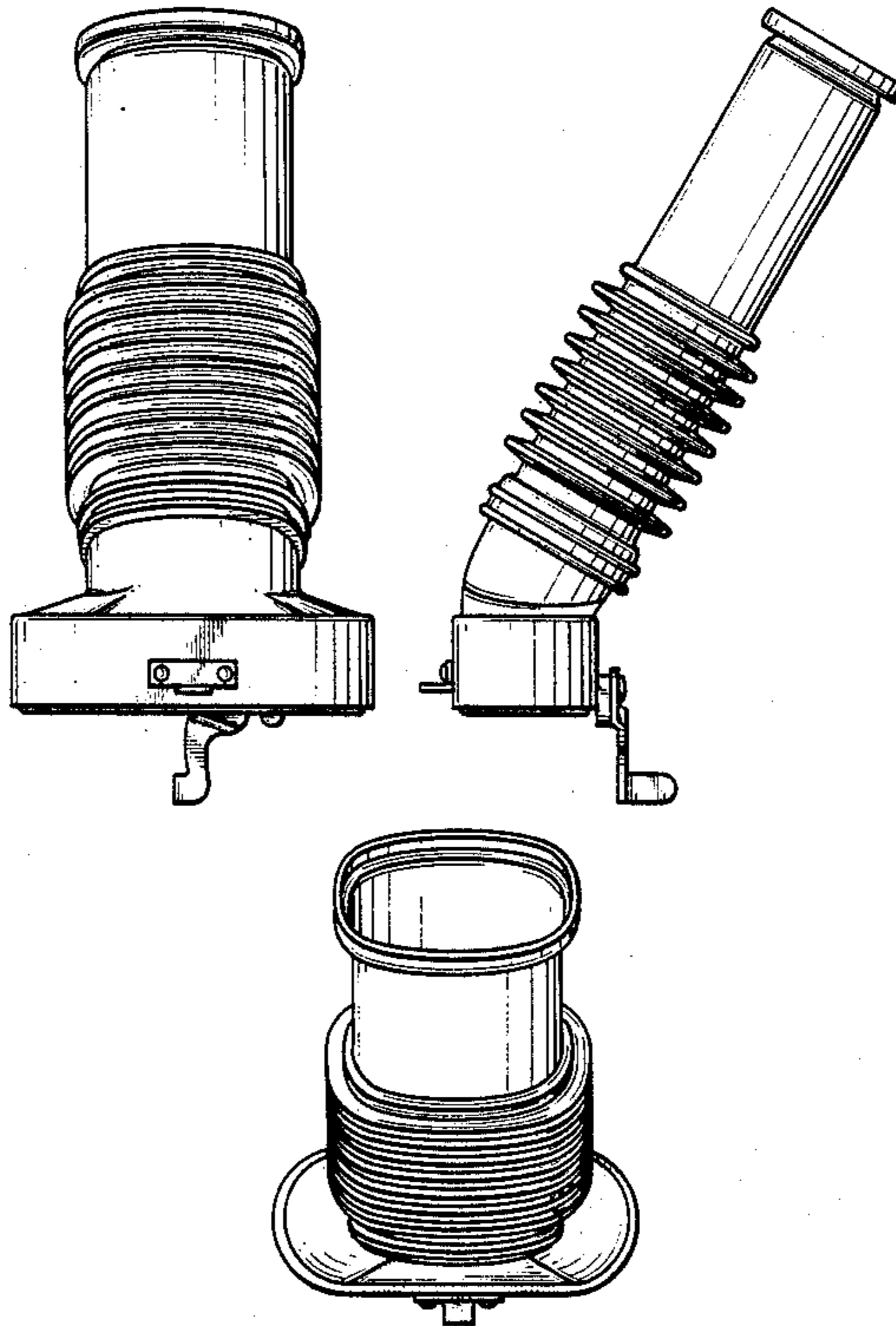
Primary Examiner—Wallace R. Burke
Assistant Examiner—Ruth Takemoto
Attorney, Agent, or Firm—Mark C. Jacobs

[57] CLAIM

The ornamental design for vacuum cleaner hose coupling, as shown and described.

DESCRIPTION

FIG. 1 is a front elevational view of a vacuum cleaner hose coupling showing my new design; FIG. 2 is a right side elevational view thereof; FIG. 3 is a top plan view thereof; FIG. 4 is a rear elevational view thereof; FIG. 5 is a left side elevational view thereof; and FIG. 6 is a bottom plan view thereof.



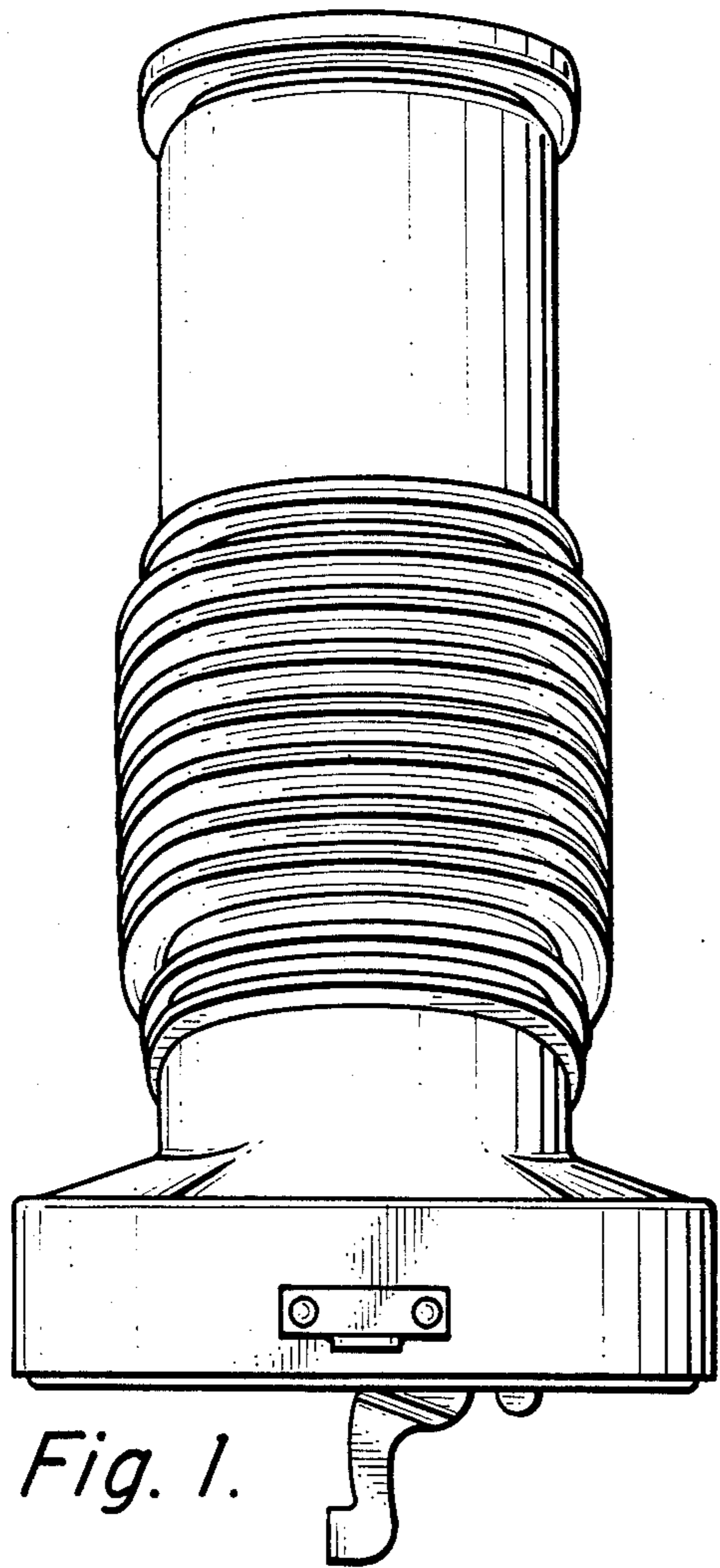


Fig. 1.

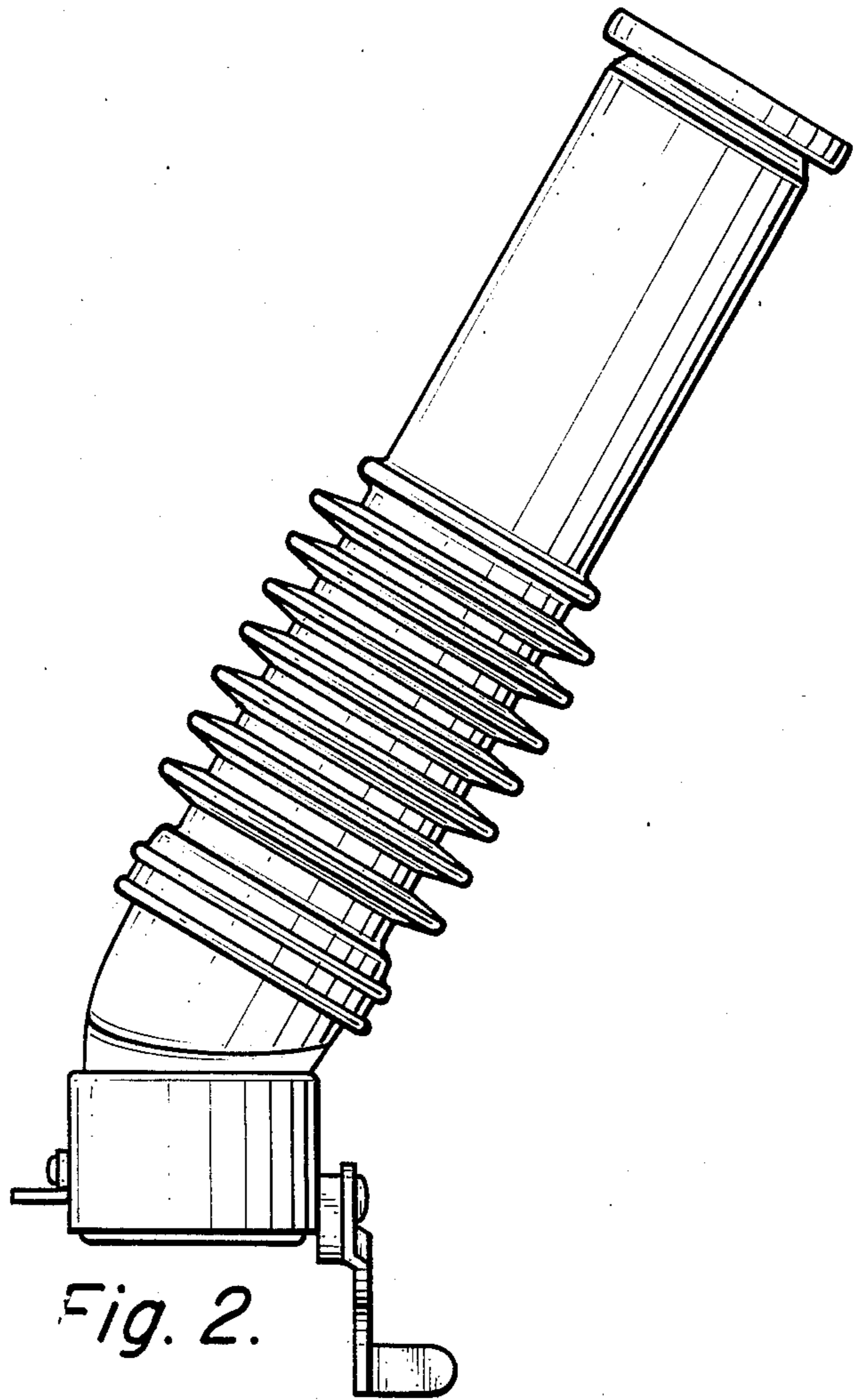


Fig. 2.

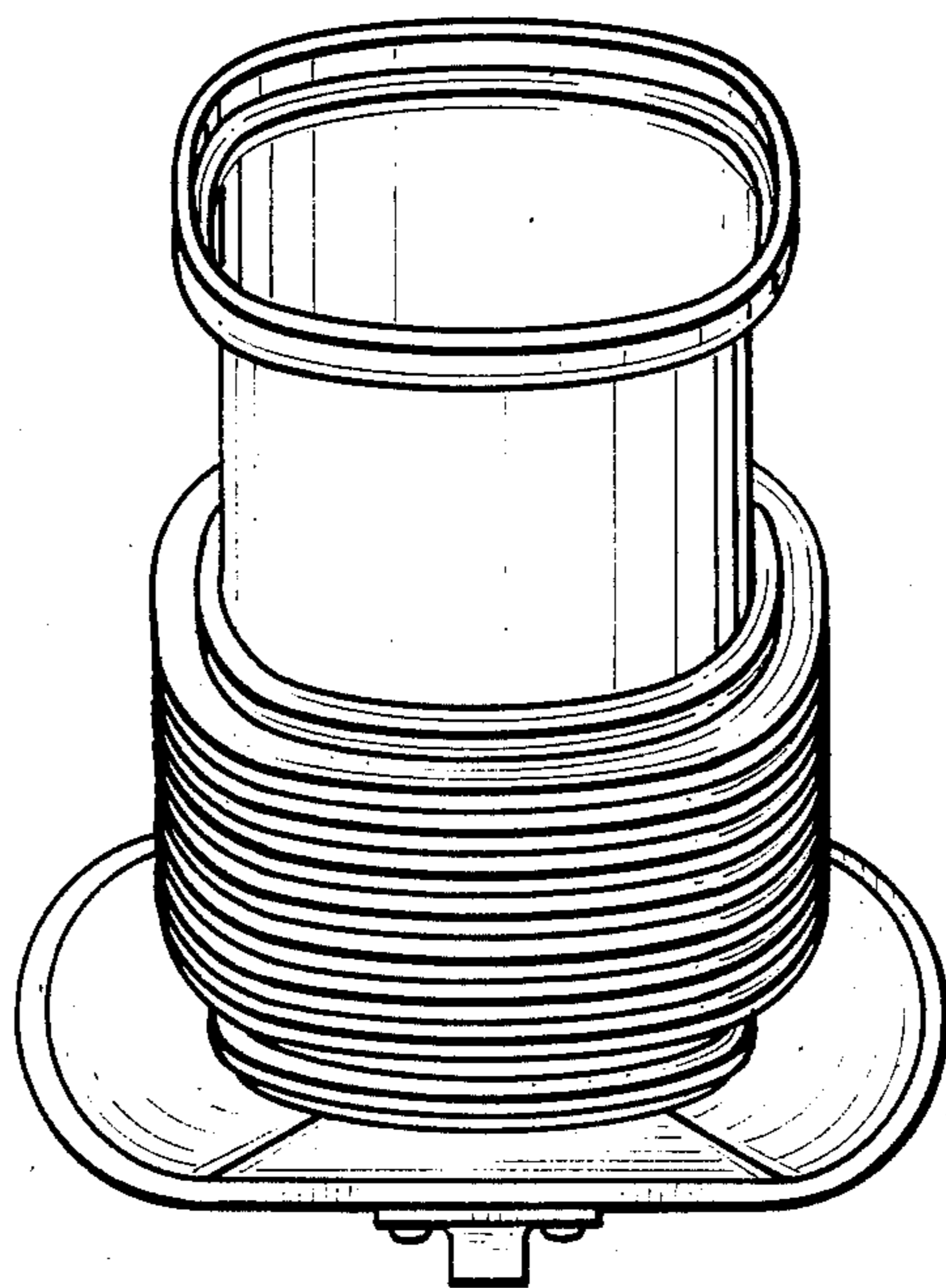


Fig. 3.

