

[54] **BIRD FEEDER**

[76] **Inventor: Jerry W. Coffer, 3207 S.E. 36th,
Portland, Oreg. 97202**

[**] **Term: 14 Years**

[21] **Appl. No.: 201,098**

[22] **Filed: May 31, 1988**

[52] **U.S. Cl. D30/127**

[58] **Field of Search D30/121-133;
119/51 R, 52 R**

D. 282,019 12/1985 Kilham D30/127
4,327,669 5/1982 Blasbalg 119/51 R

Primary Examiner—James R. Largen
Attorney, Agent, or Firm—Chernoff, Vilhauer, McClung
& Stenzel

[57] **CLAIM**

The ornamental design for a bird feeder, as shown and described.

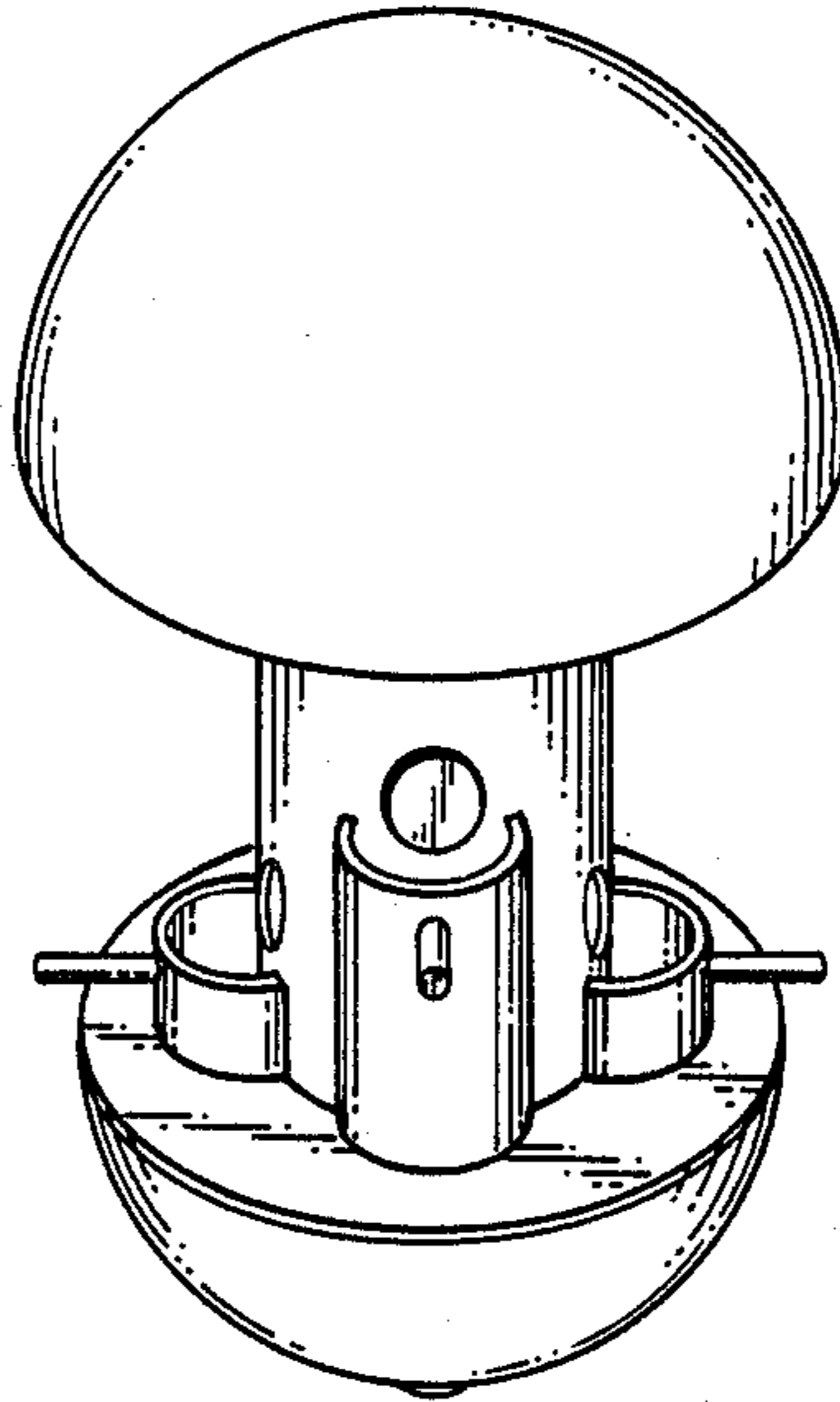
DESCRIPTION

FIG. 1 is a perspective view taken from the top of a bird feeder showing my new design;
FIG. 2 is a front elevational view thereof, the rear being the same as the front shown;
FIG. 3 is a left side elevational view thereof, the right side being the same as the left side shown;
FIG. 4 is a bottom plan view thereof; and
FIG. 5 is a top plan view thereof.

[56] **References Cited**

U.S. PATENT DOCUMENTS

D.193,558	9/1962	Parry	D30/127
D. 251,021	2/1979	Blasbalg	D30/127
D. 267,355	12/1982	Blasbalg	D30/127
D. 278,168	3/1985	Latham	D30/127
D. 278,559	4/1985	Latham	D30/127



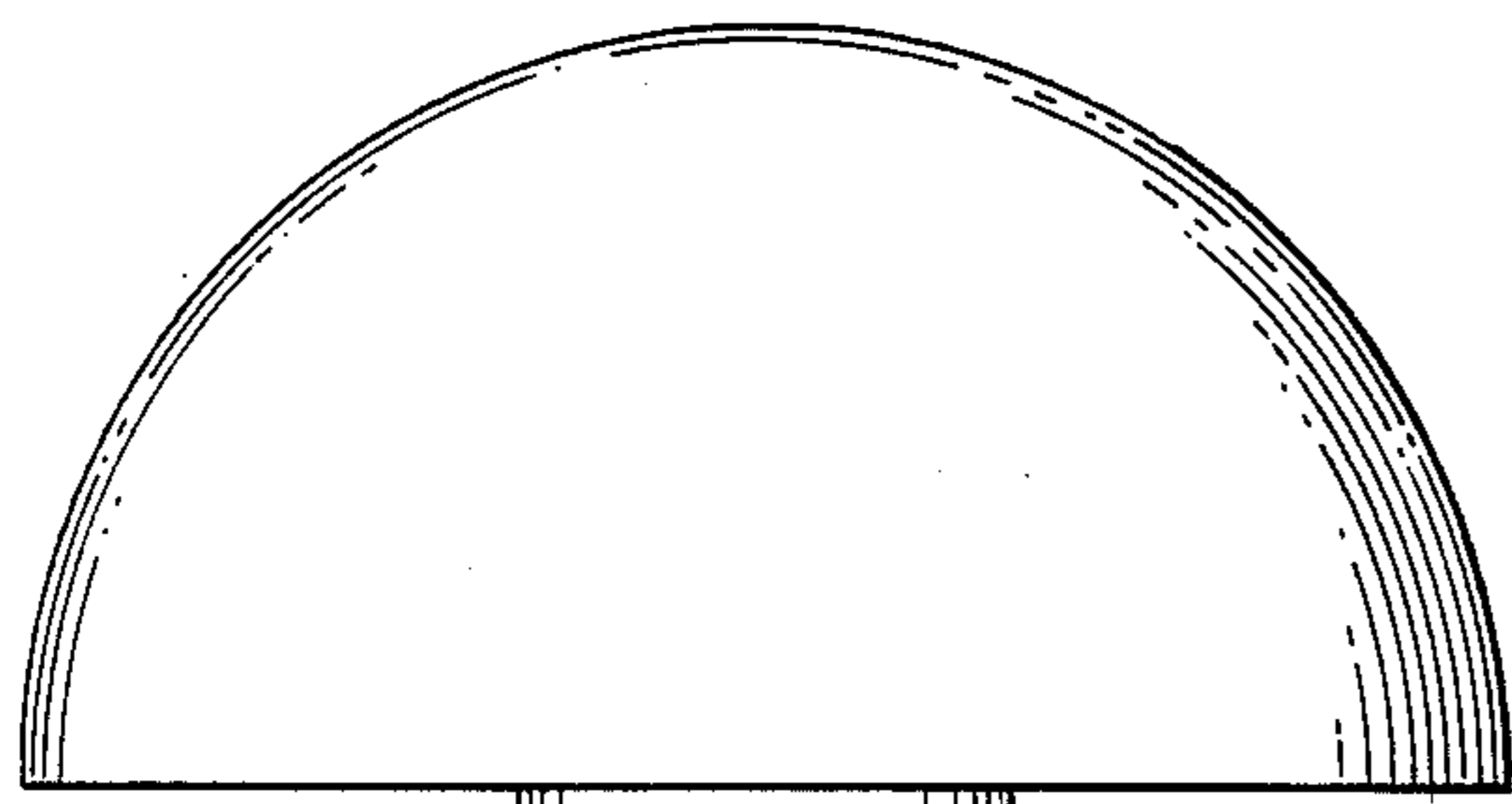


FIG. 2

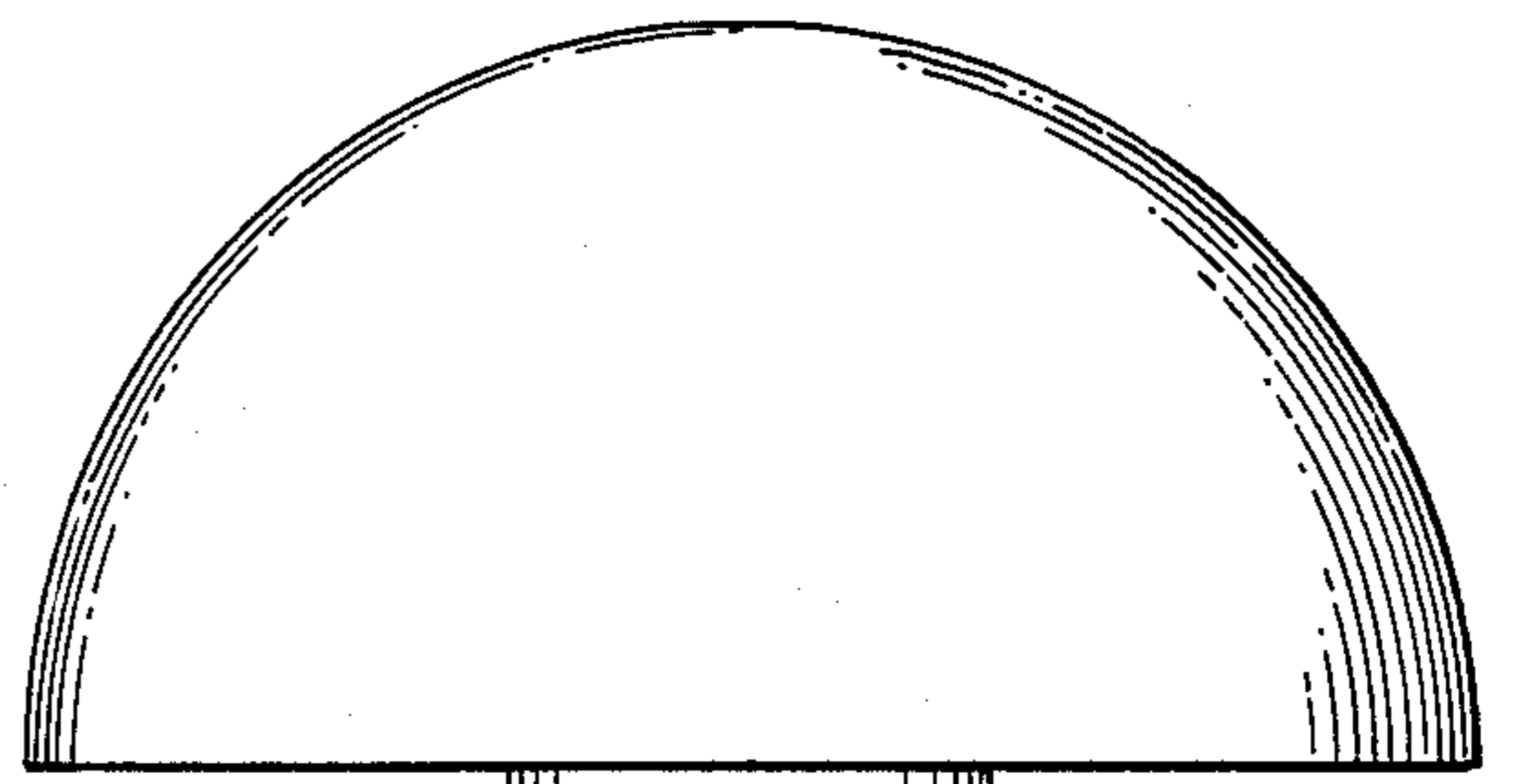


FIG. 3

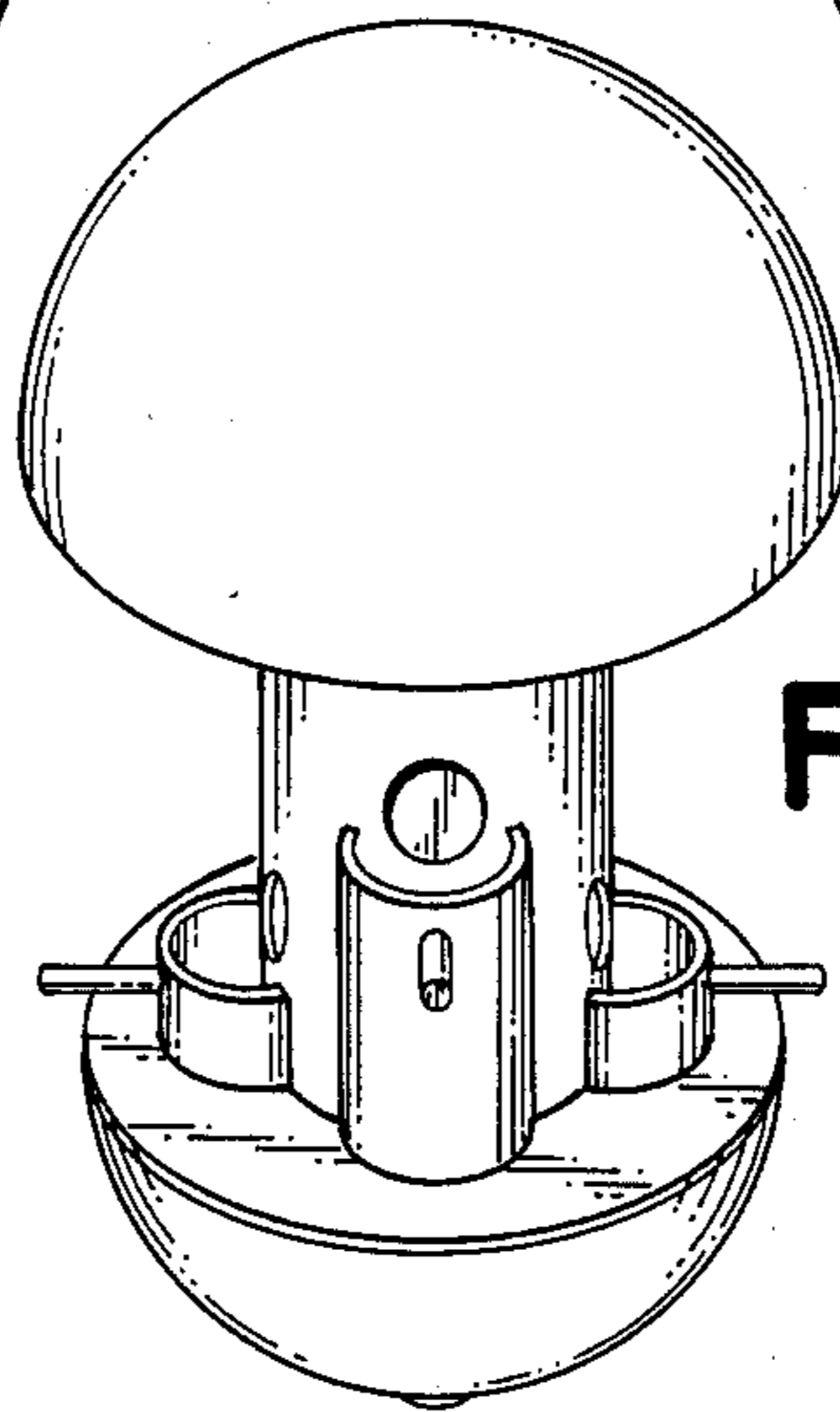
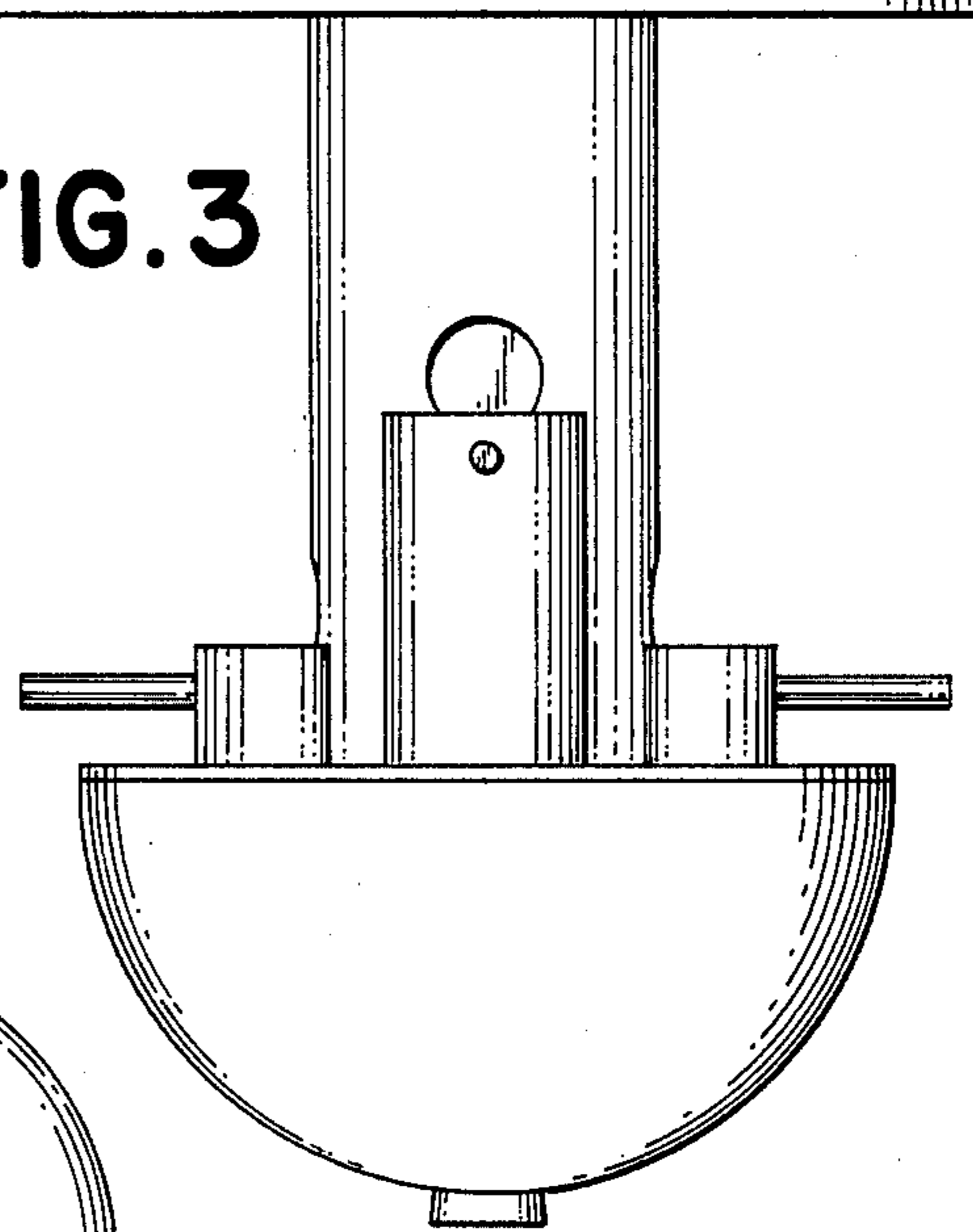
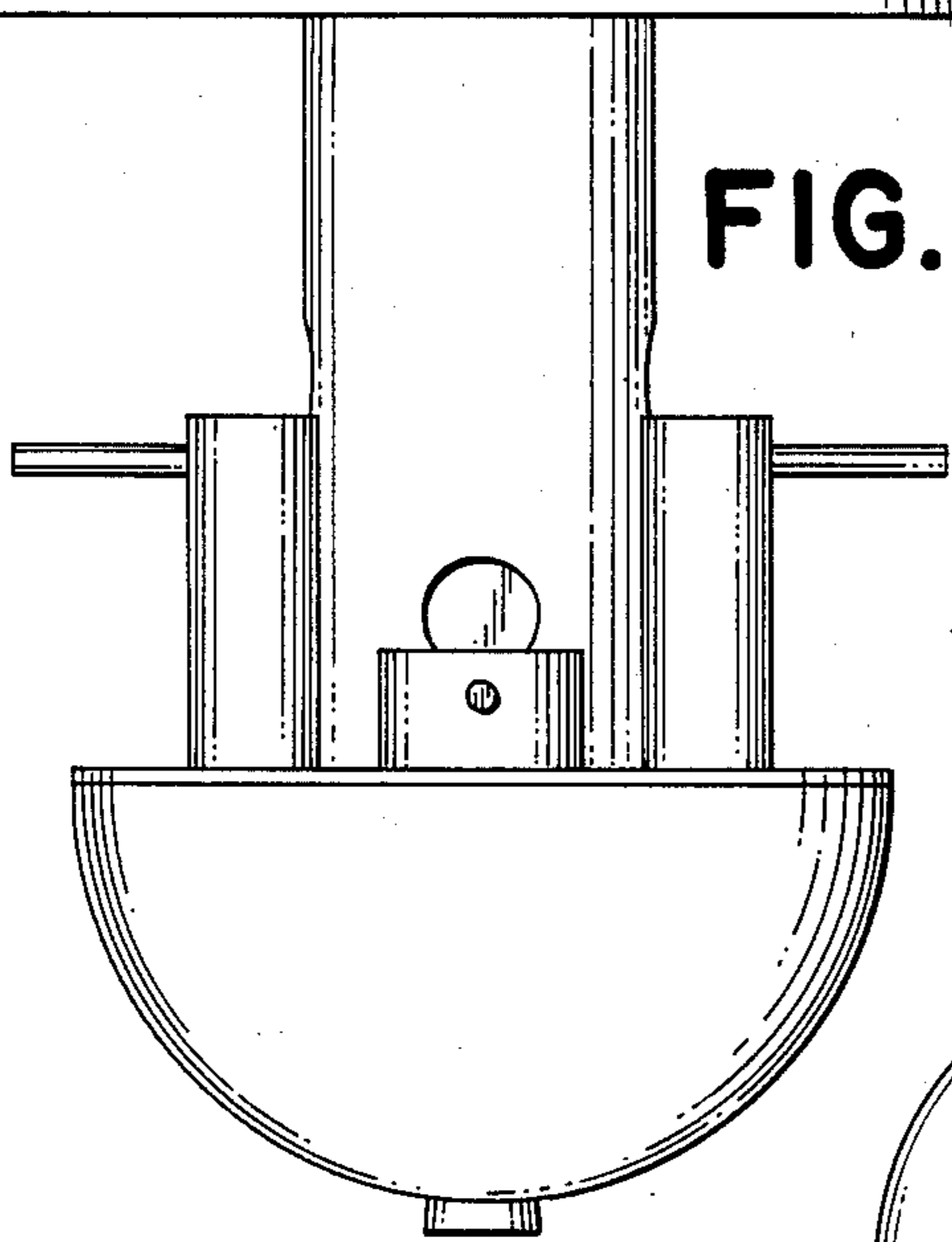


FIG. 1

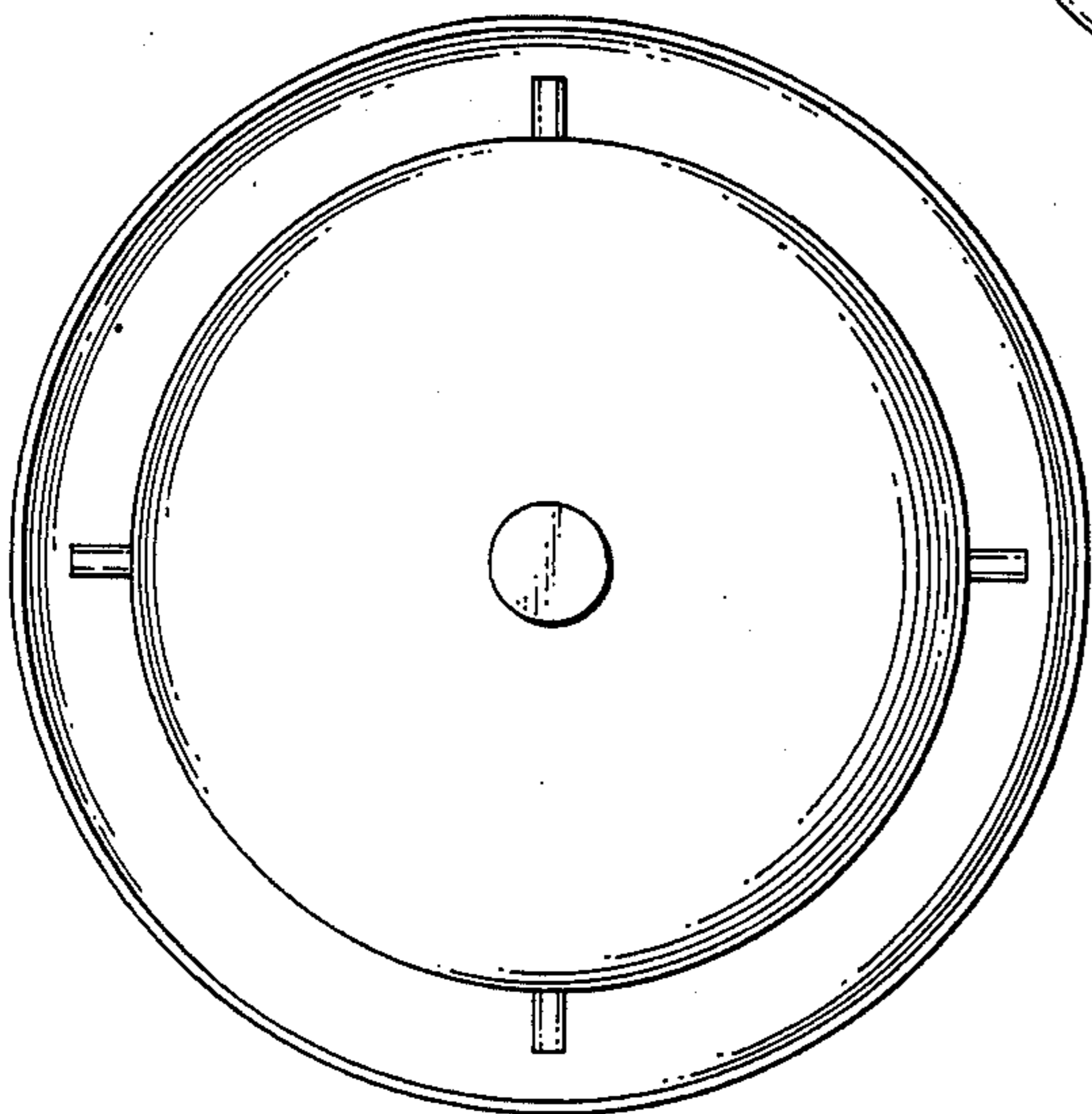


FIG. 4

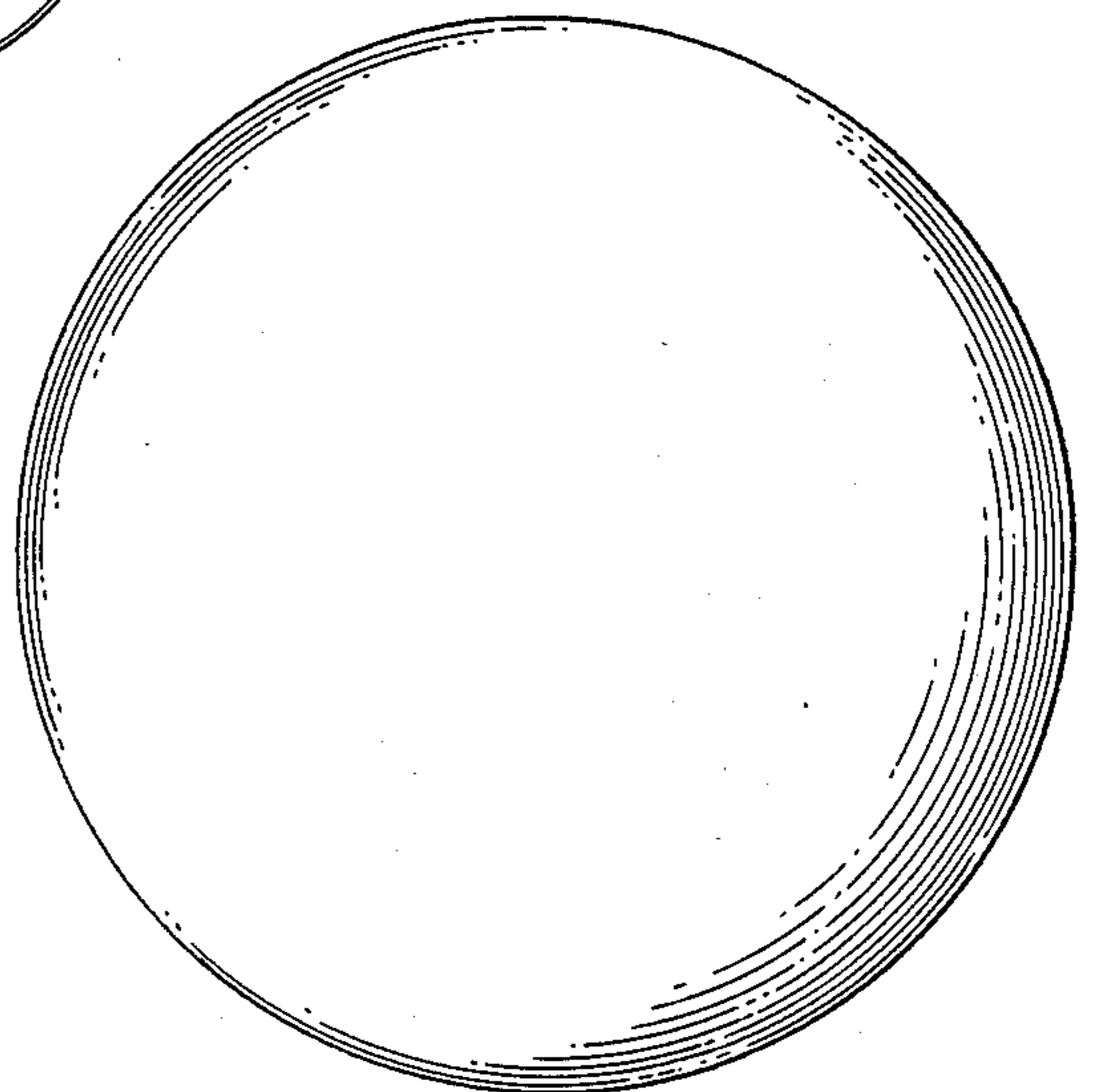


FIG. 5