

[54] COMBINED PET FOOD DISH AND COVER

[76] Inventor: Patricia T. Windom, 6535 Langdon Ave., Van Nuys, Calif. 91406

[**] Term: 14 Years

[21] Appl. No.: 78,541

[22] Filed: Jul. 28, 1987

[52] U.S. Cl. D30/129; D30/130; D27/134

[58] Field of Search D30/121-133; 119/51.5, 61, 63; D27/102, 134, 135

[56] References Cited

U.S. PATENT DOCUMENTS

D. 103,600	3/1937	Shields, Jr.	D30/129
D. 127,306	5/1941	Pearce	D27/134
D. 208,181	7/1967	Hirota	D27/134
D. 230,033	1/1974	Goldman et al.	D30/130
D. 232,564	8/1974	Kissin	D30/129
D. 269,045	5/1983	Easton	D30/130
1,413,750	4/1922	McCollough	119/61
2,928,372	3/1960	Farley	119/61
3,405,685	10/1968	Harrell	119/61
4,691,664	9/1987	Crowell	119/61

Primary Examiner—James R. Largen
Attorney, Agent, or Firm—Kelly, Bauersfeld & Lowry

[57] CLAIM

The ornamental design for a combined pet food dish and cover, as shown and described.

DESCRIPTION

FIG. 1 is an exploded top perspective view of a combined pet food dish and cover showing my new design; FIG. 2 is a side elevation view thereof, showing the cover on the dish, the other sides being the same as the side shown;

FIG. 3 is a top plan view of FIG. 2;

FIG. 4 is a bottom plan view of FIG. 2;

FIG. 5 top is perspective of a modified form of the combined pet food dish and cover shown in FIG. 1;

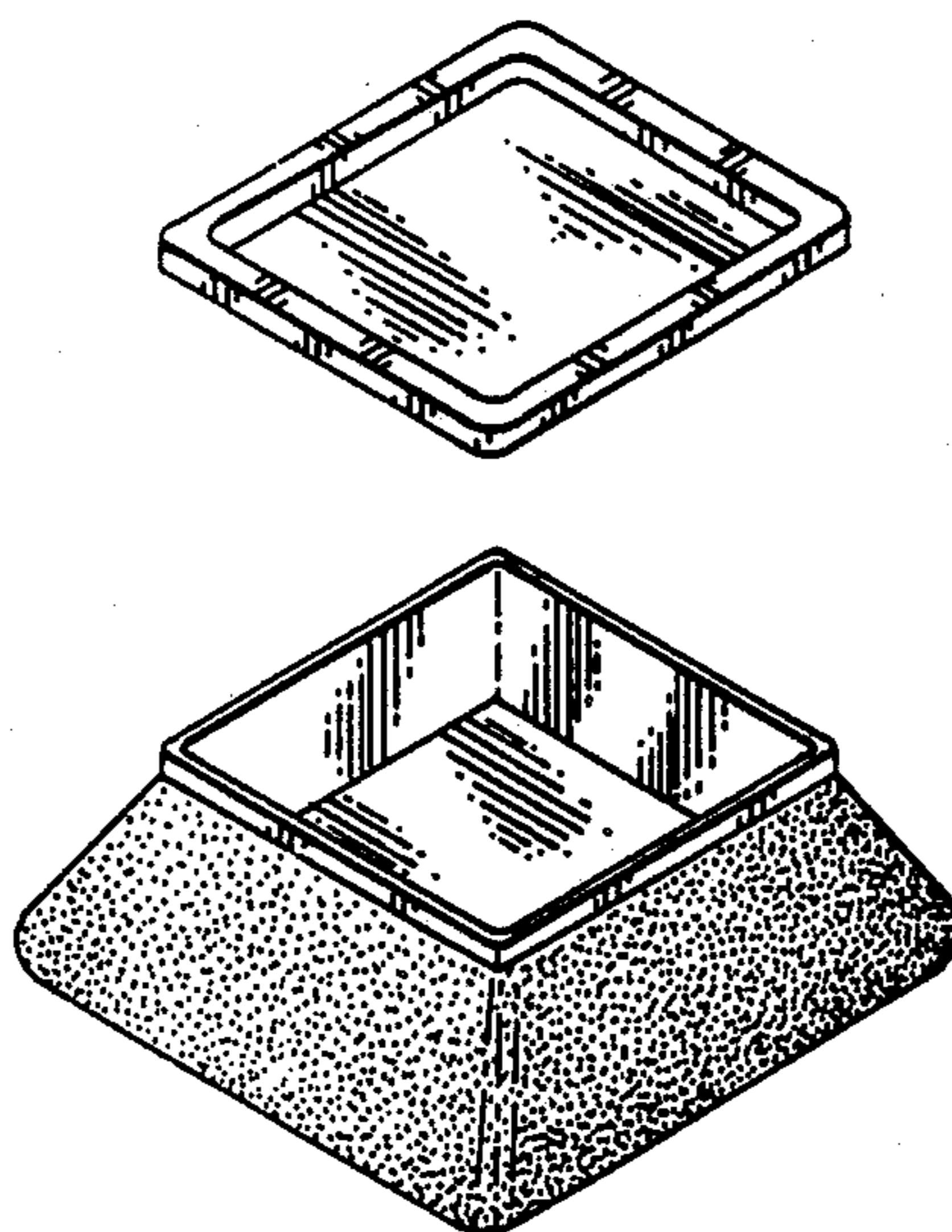
FIG. 6 is a left side elevational view of FIG. 5, the right side being the same as the left side shown;

FIG. 7 is a front elevational view of FIG. 5, the rear being the same as the front shown;

FIG. 8 is a top plan view of FIG. 5; and

FIG. 9 is a bottom plan view of FIG. 5.

It is to be understood that the material is continuous in FIGS. 4 and 9.



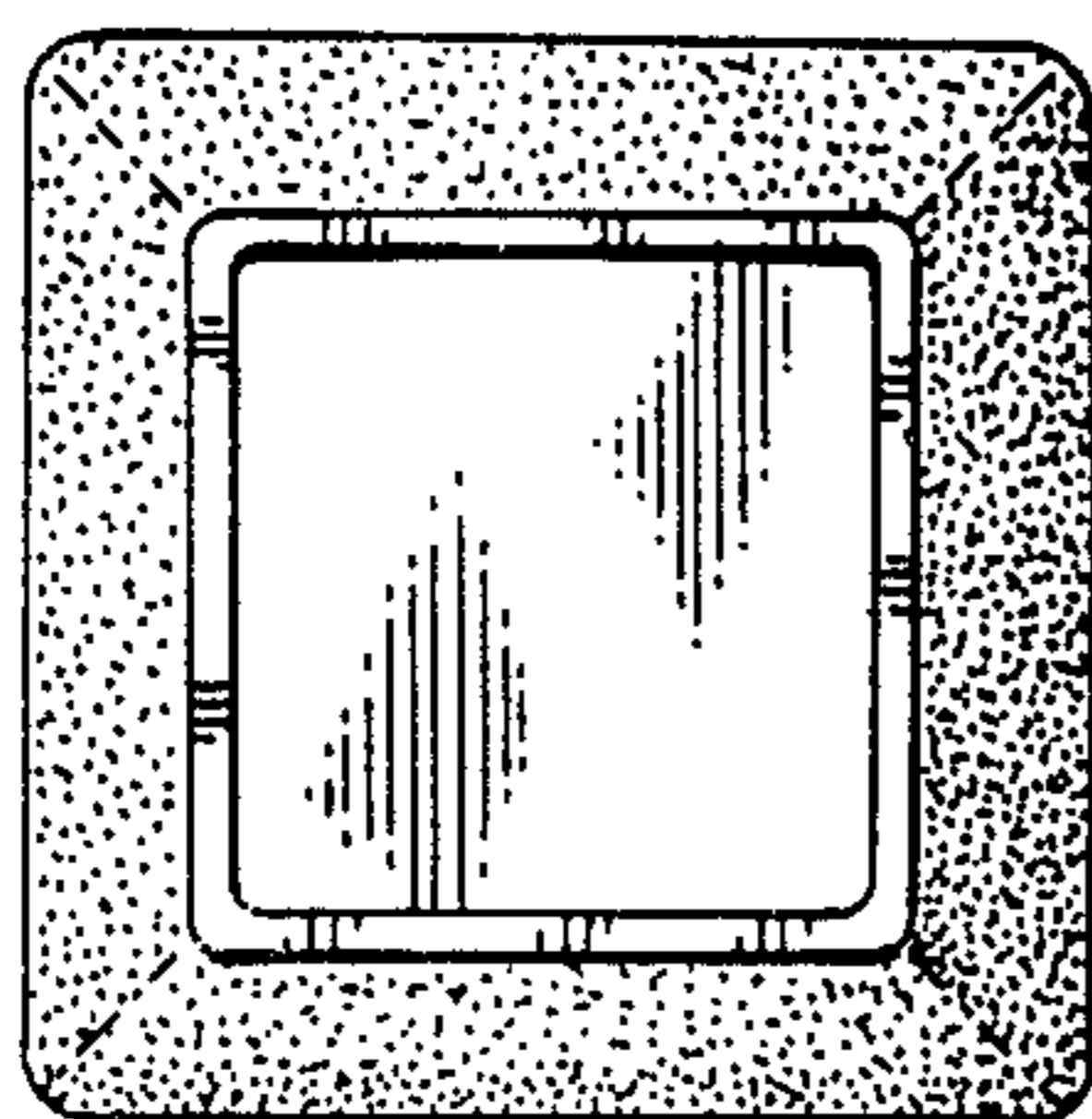
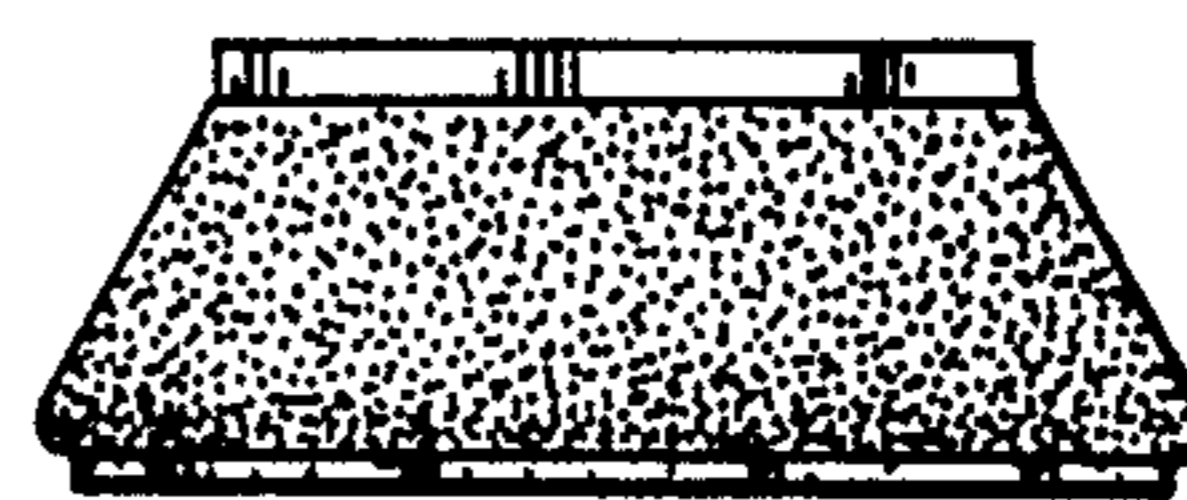
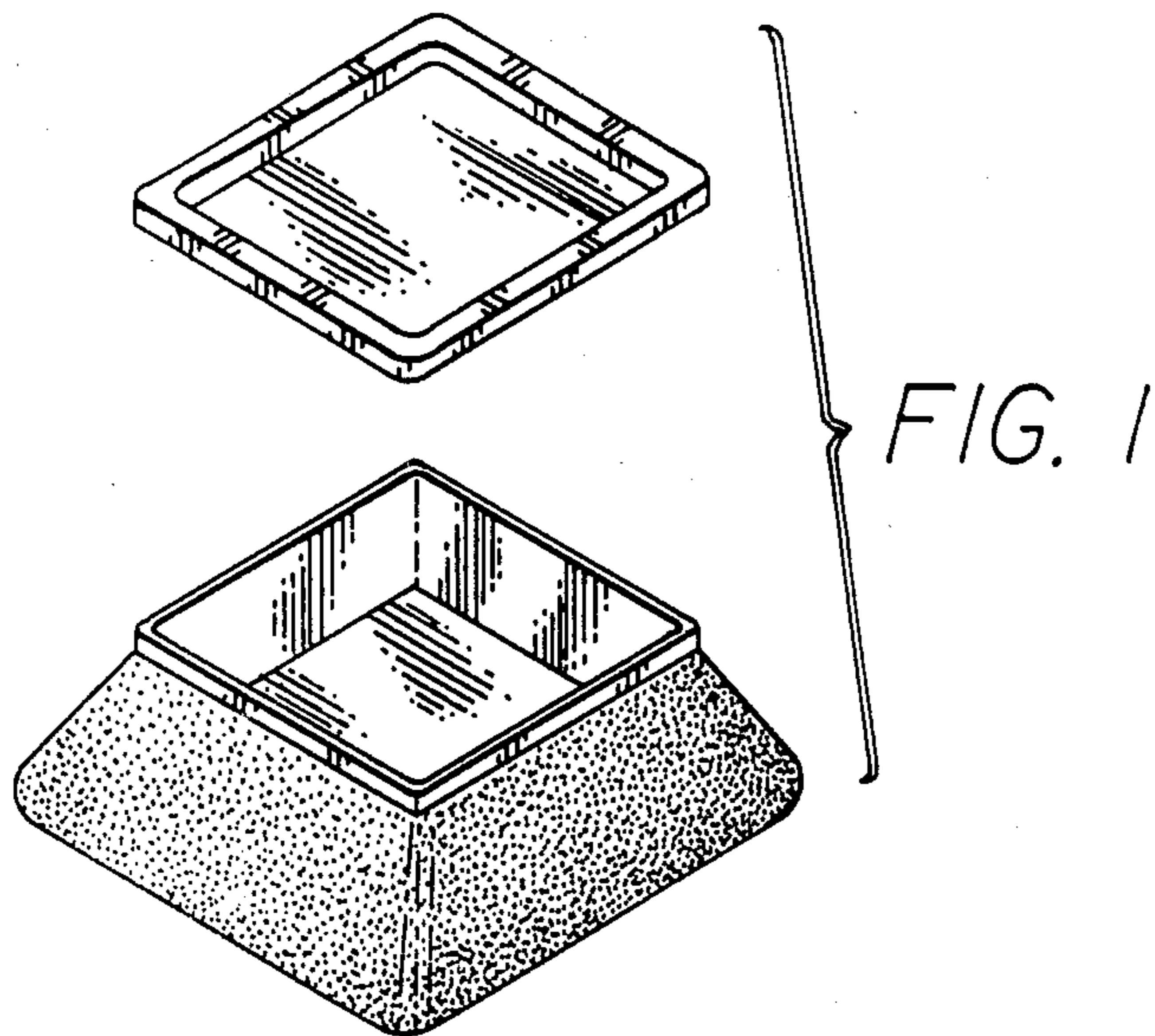


FIG. 3

FIG. 4

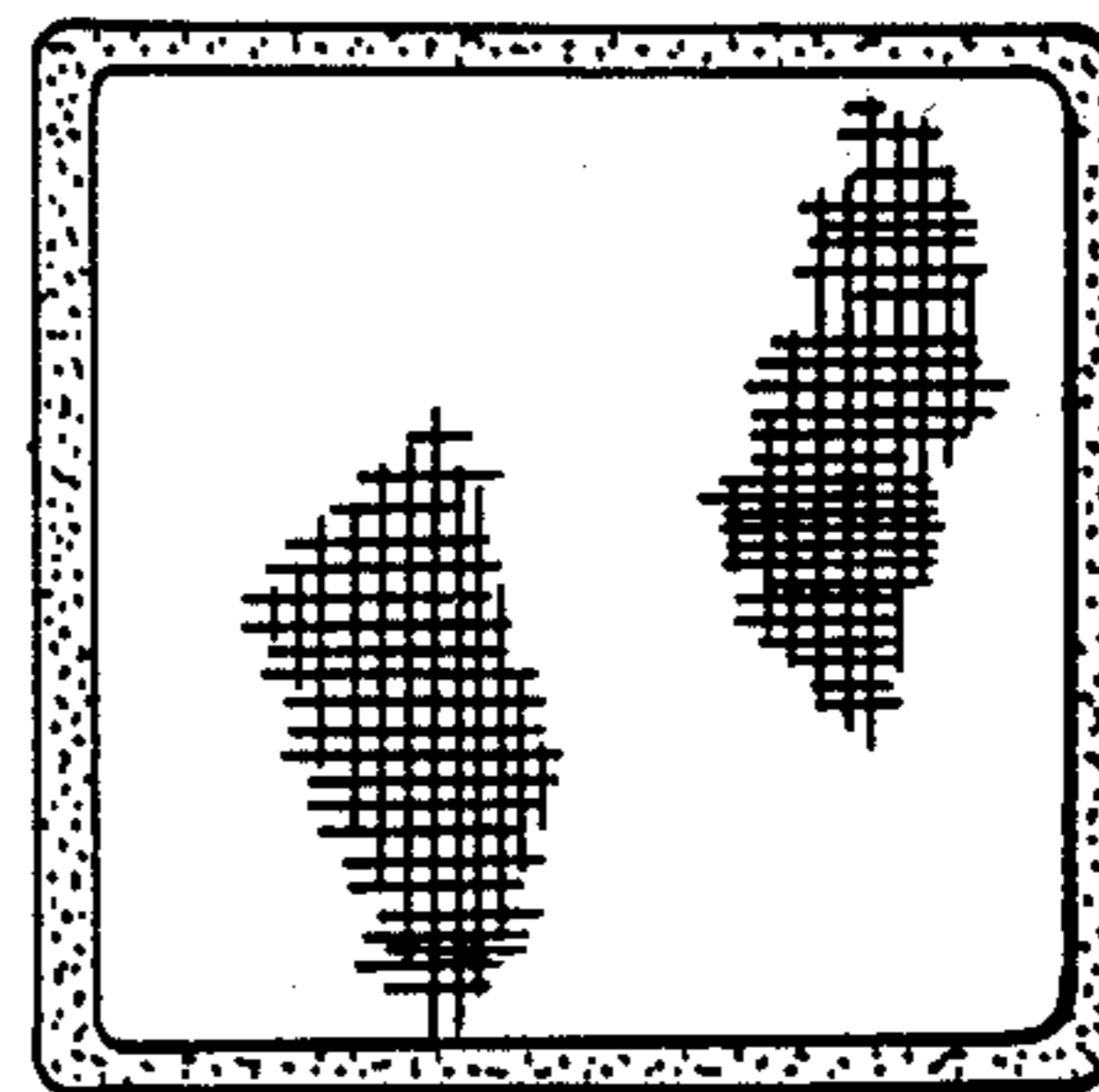


FIG. 5

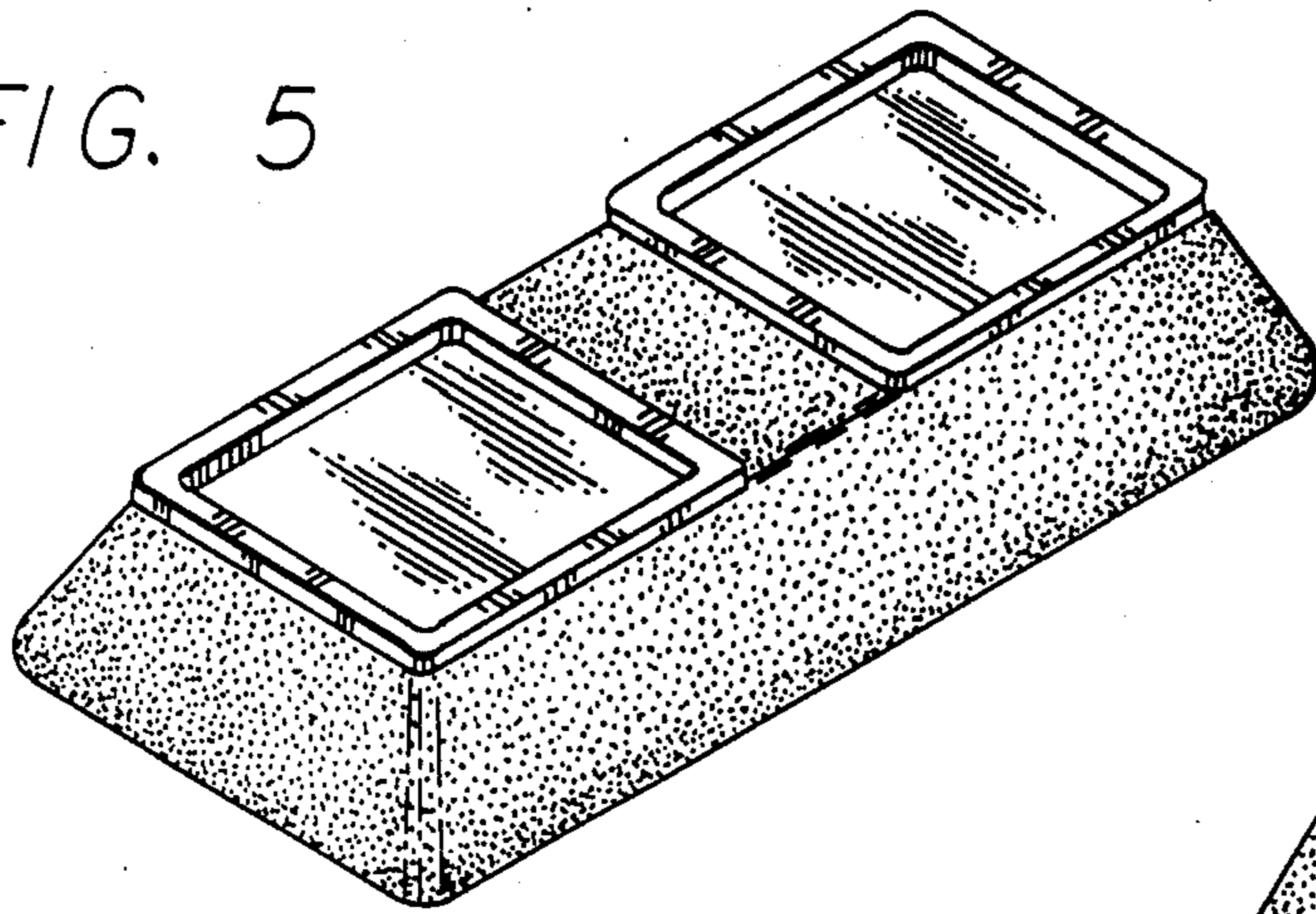


FIG. 6

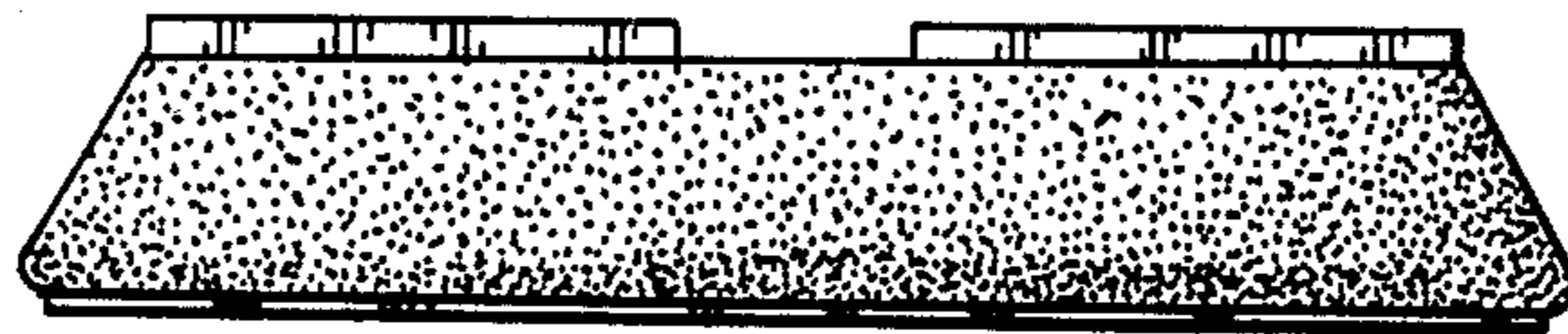
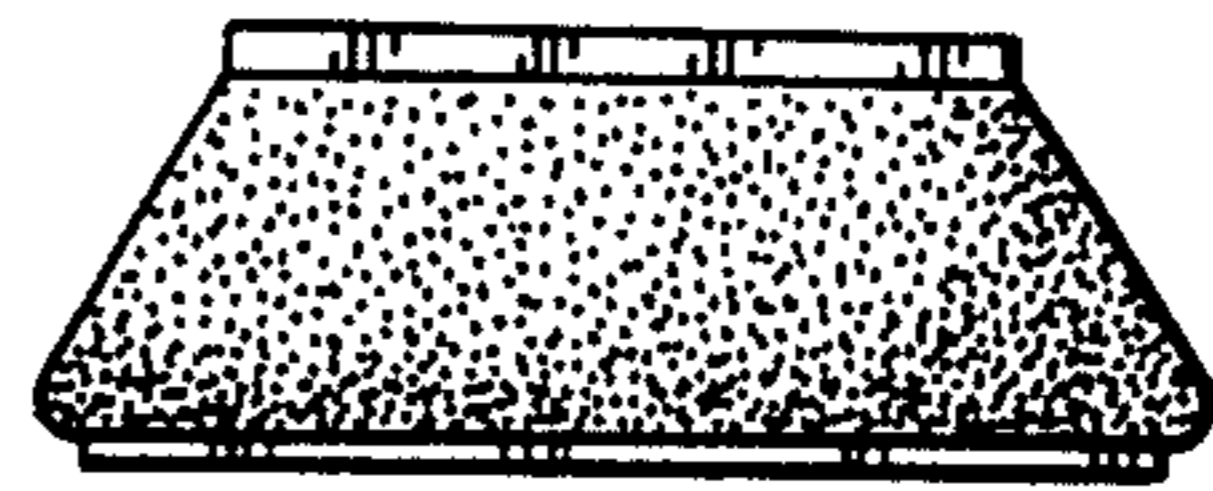


FIG. 7

FIG. 8

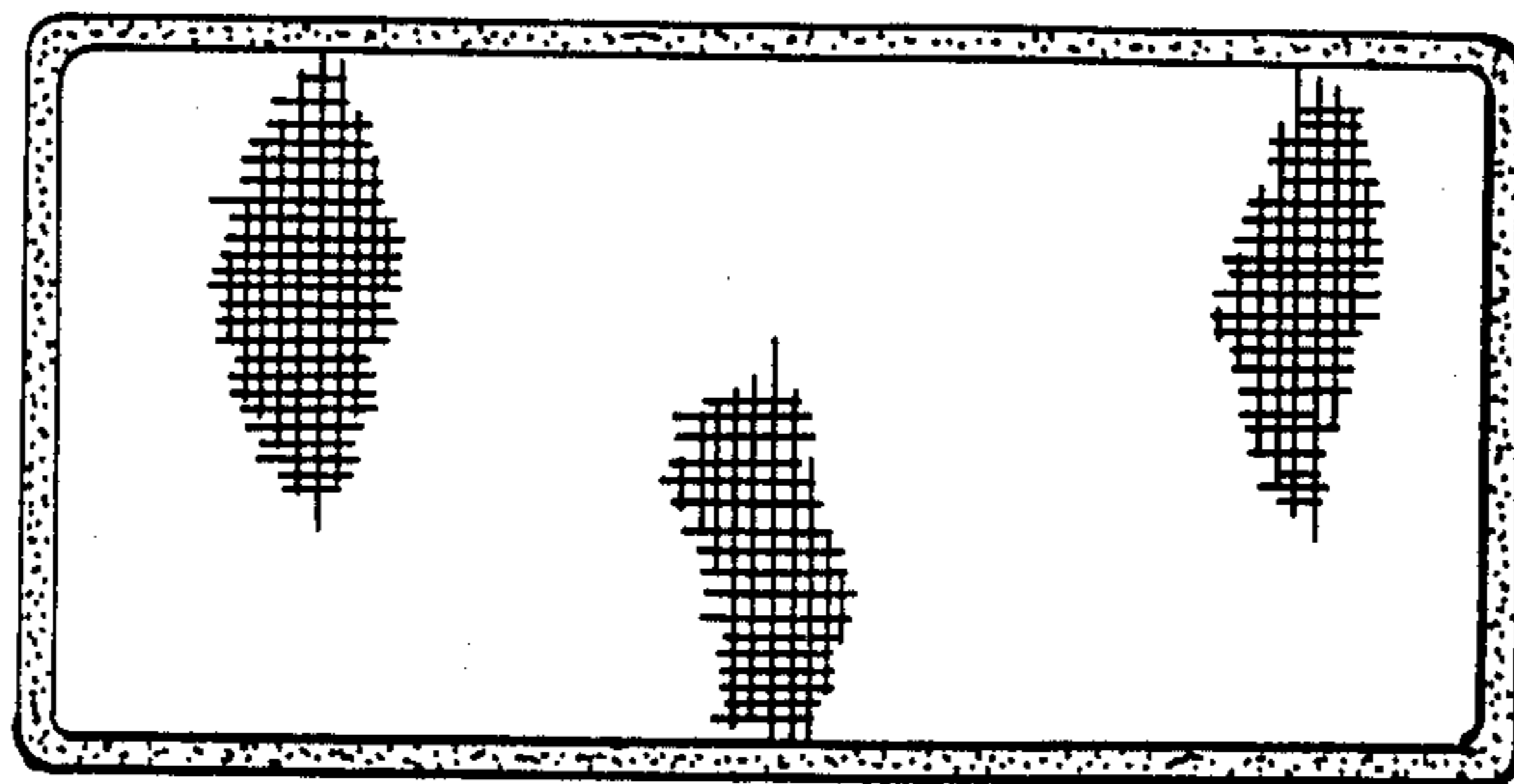
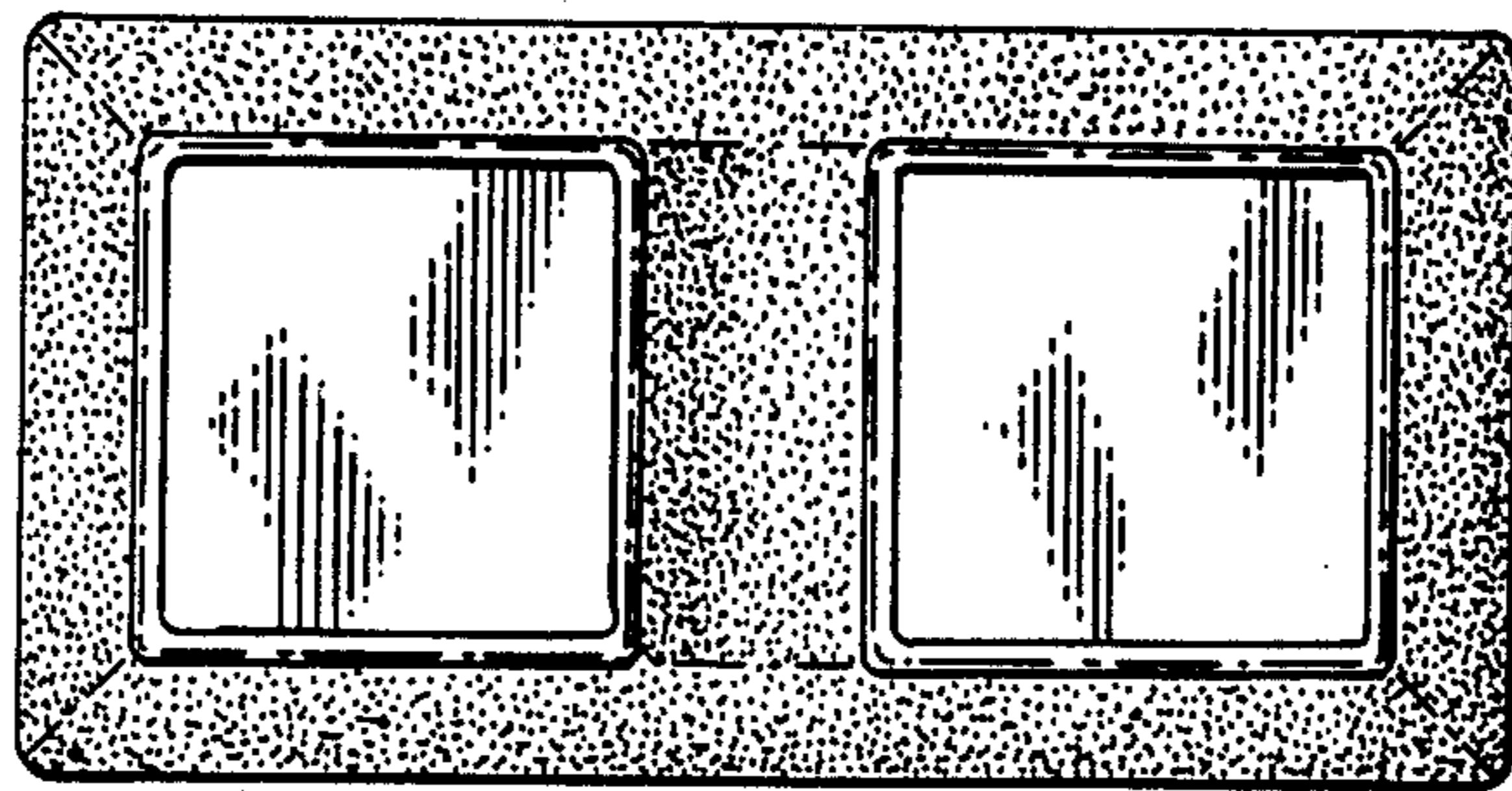


FIG. 9