

[54] COMBINED SUN VISOR AND EYE SHIELD

2,638,593 5/1953 Eloranta D16/110

[76] Inventor: Hsi-Wei Hsin, No. 80, Nei Keng Ts'un, Ta Liau Hsiang, Kao Hsiung, Taiwan

Primary Examiner—Carmen H. Vales
Attorney, Agent, or Firm—Lackenbach Siegel Marzullo & Aronson

[**] Term: 14 Years

[57] CLAIM

[21] Appl. No.: 869,934

The ornamental design for combined sun visor and eye shield, as shown and described.

[22] Filed: Jun. 2, 1986

DESCRIPTION

[52] U.S. Cl. D29/18; D16/110

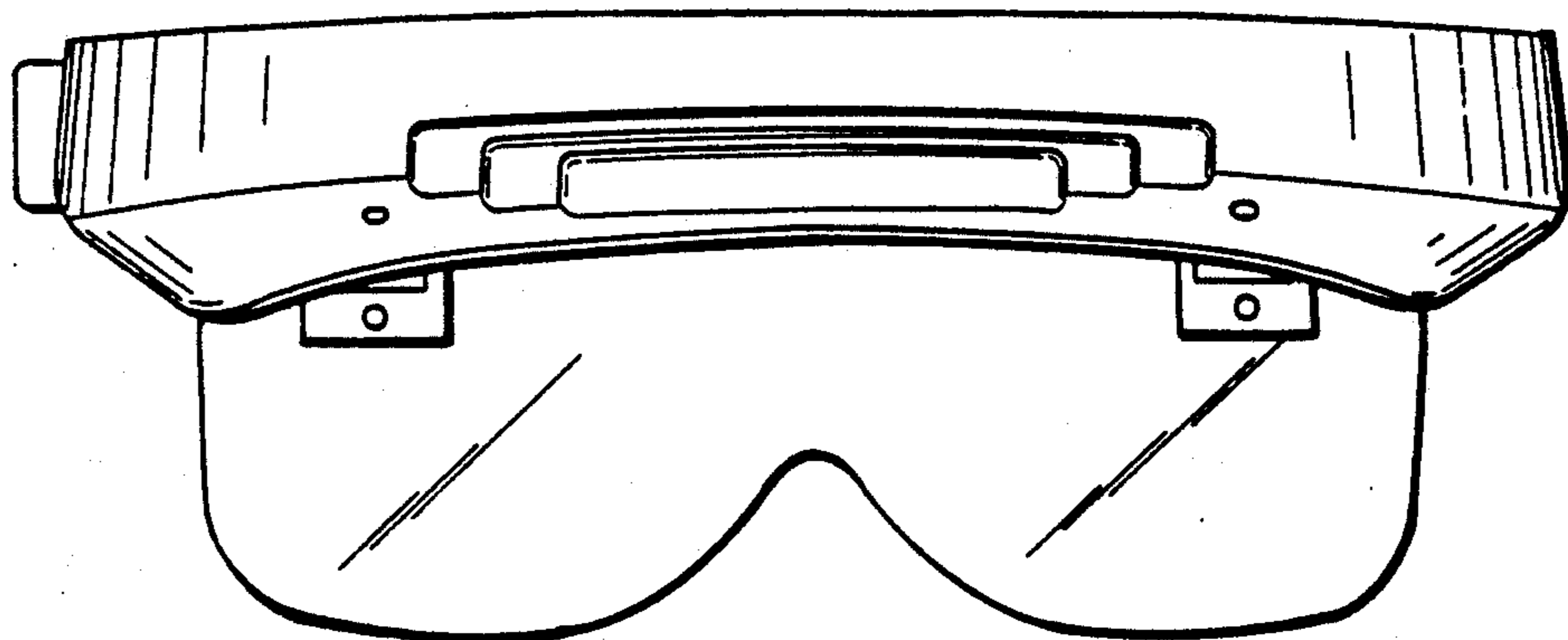
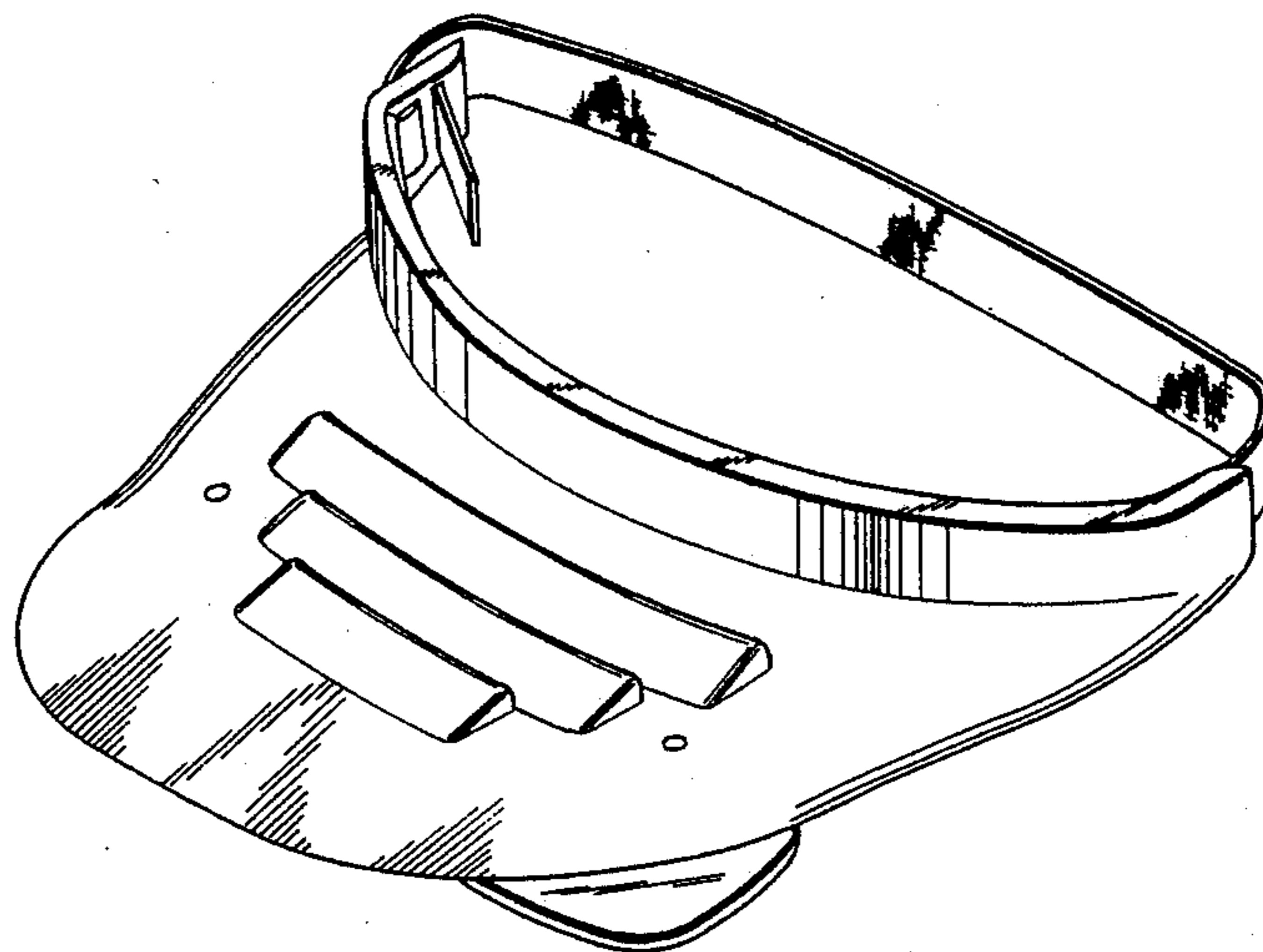
[58] Field of Search D2/509, 512, 514, 246, D2/247, 253; D29/17, 18; 2/12, 13, 10, 199, 195, 197; D16/103, 110

FIG. 1 is a perspective view of a combined sun visor and eye shield showing my new design; FIG. 2 is a front elevational view thereof; FIG. 3 is a rear elevational view thereof; FIG. 4 is a left side elevational view thereof; FIG. 5 is a right side elevational view thereof; FIG. 6 is a top plan view thereof; FIG. 7 is a bottom plan view thereof; FIG. 8 is a front elevational view with the eye shields in position of use; and, FIG. 9 is a side elevational view thereof.

[56] References Cited

U.S. PATENT DOCUMENTS

- D. 210,424 3/1968 Mitchell D16/110
- D. 277,995 3/1985 Hand, Jr. D2/514
- 2,475,471 7/1949 Brown et al. D2/246
- 2,538,607 1/1951 Vaca 2/10



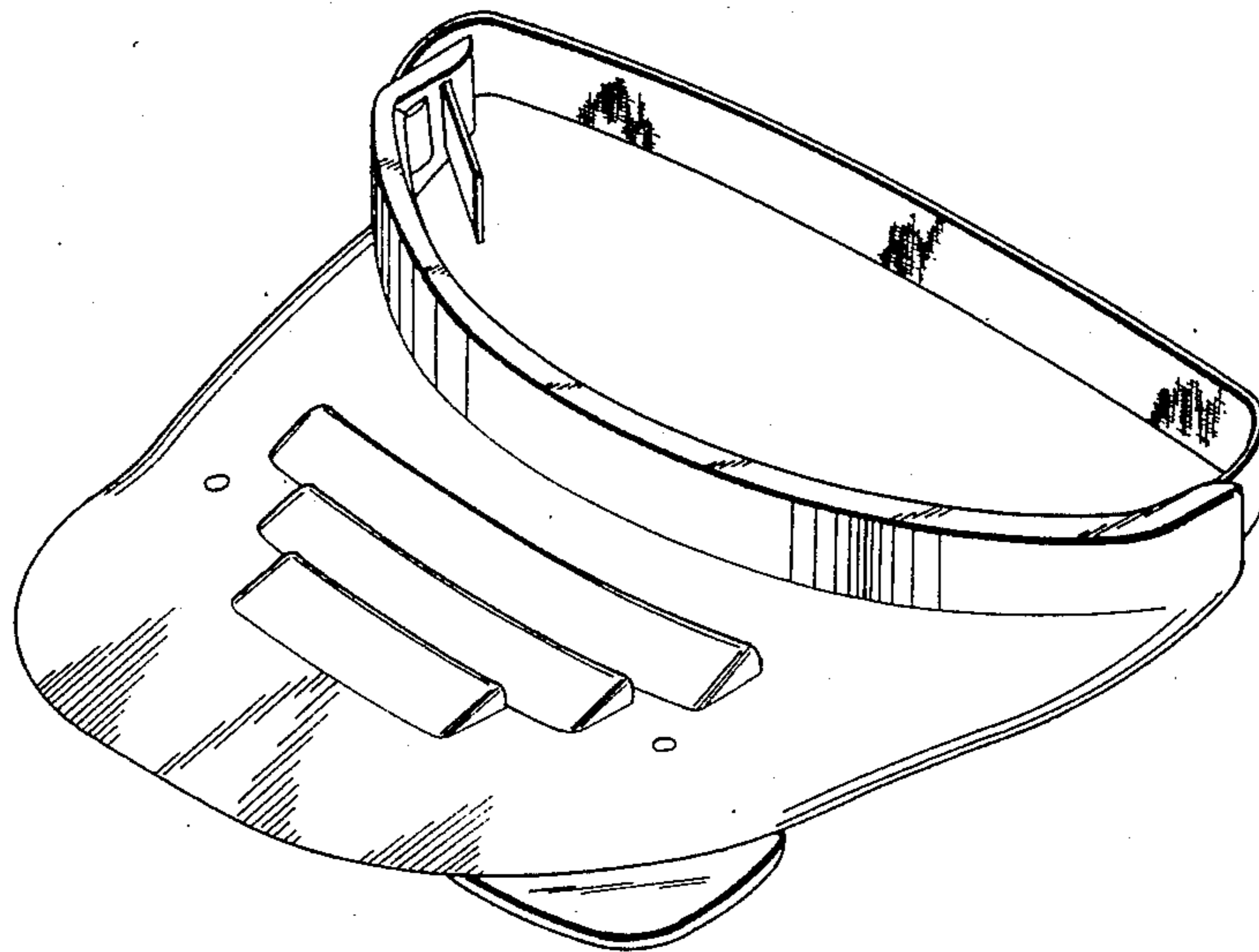


FIG. 1

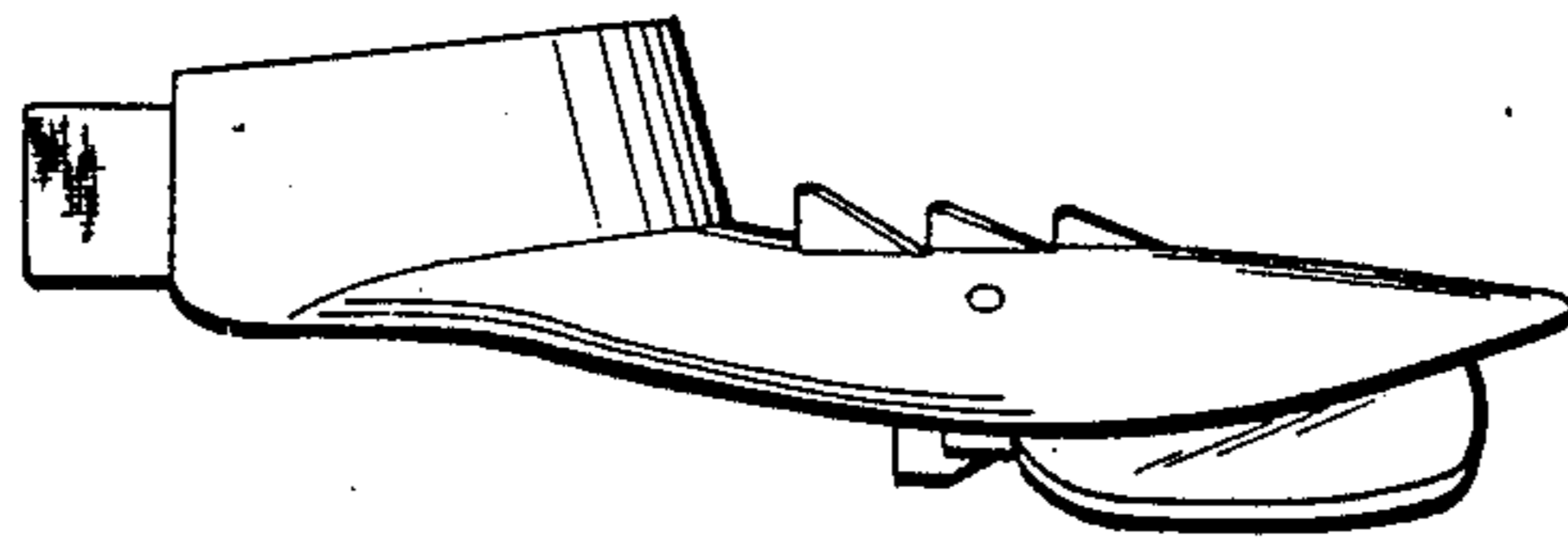


FIG. 4

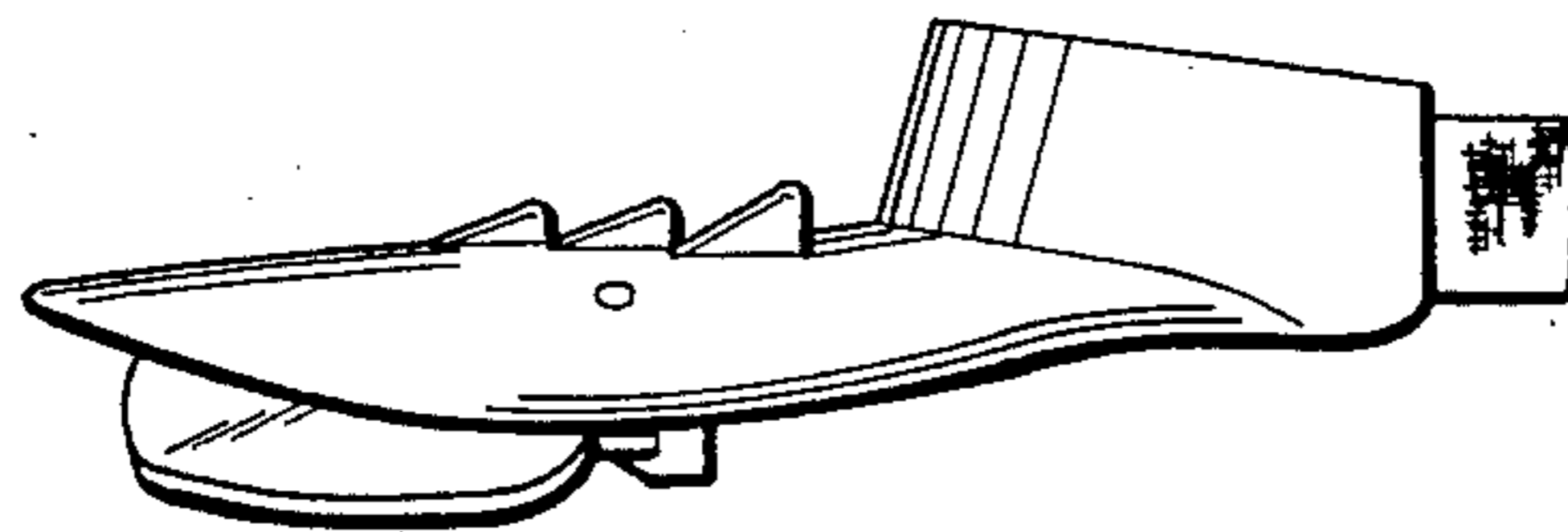


FIG. 5

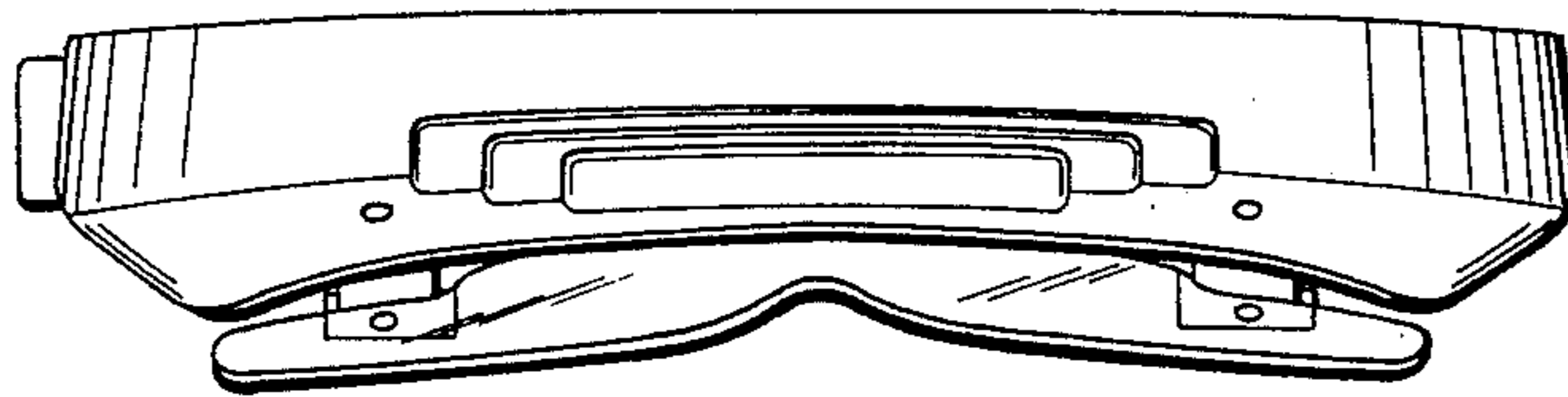


FIG. 2

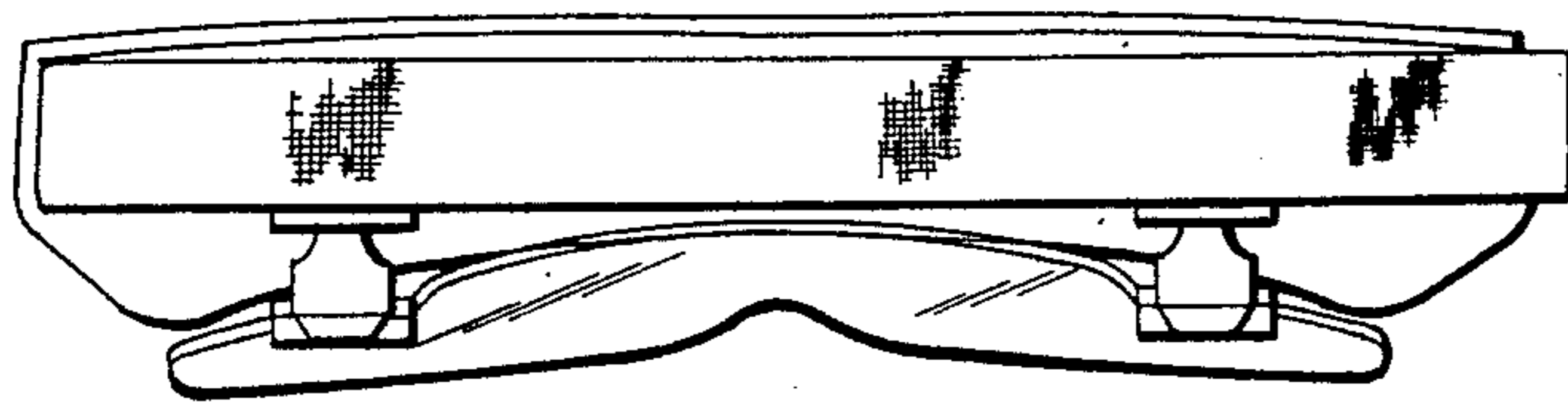


FIG. 3

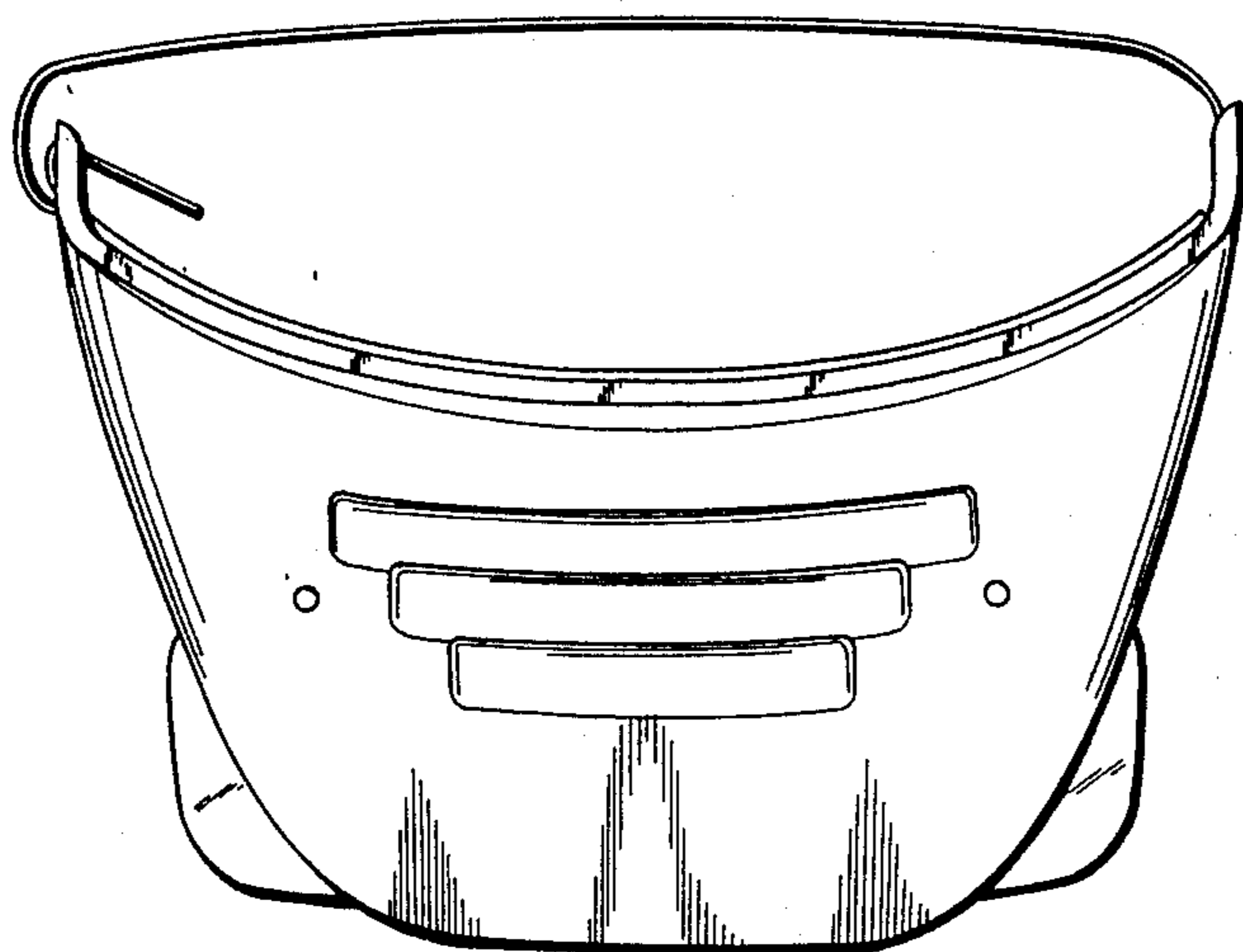


FIG. 6

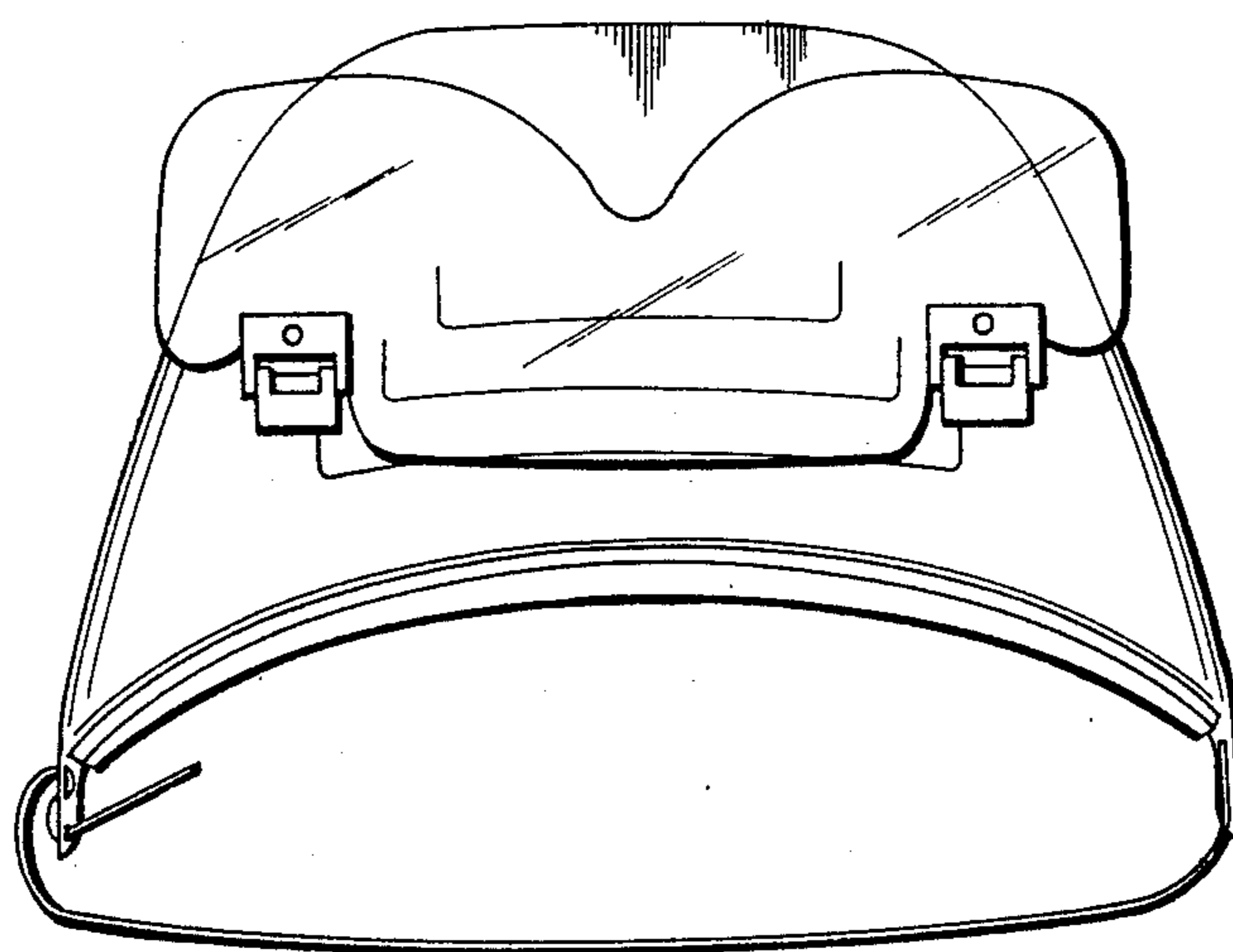


FIG. 7

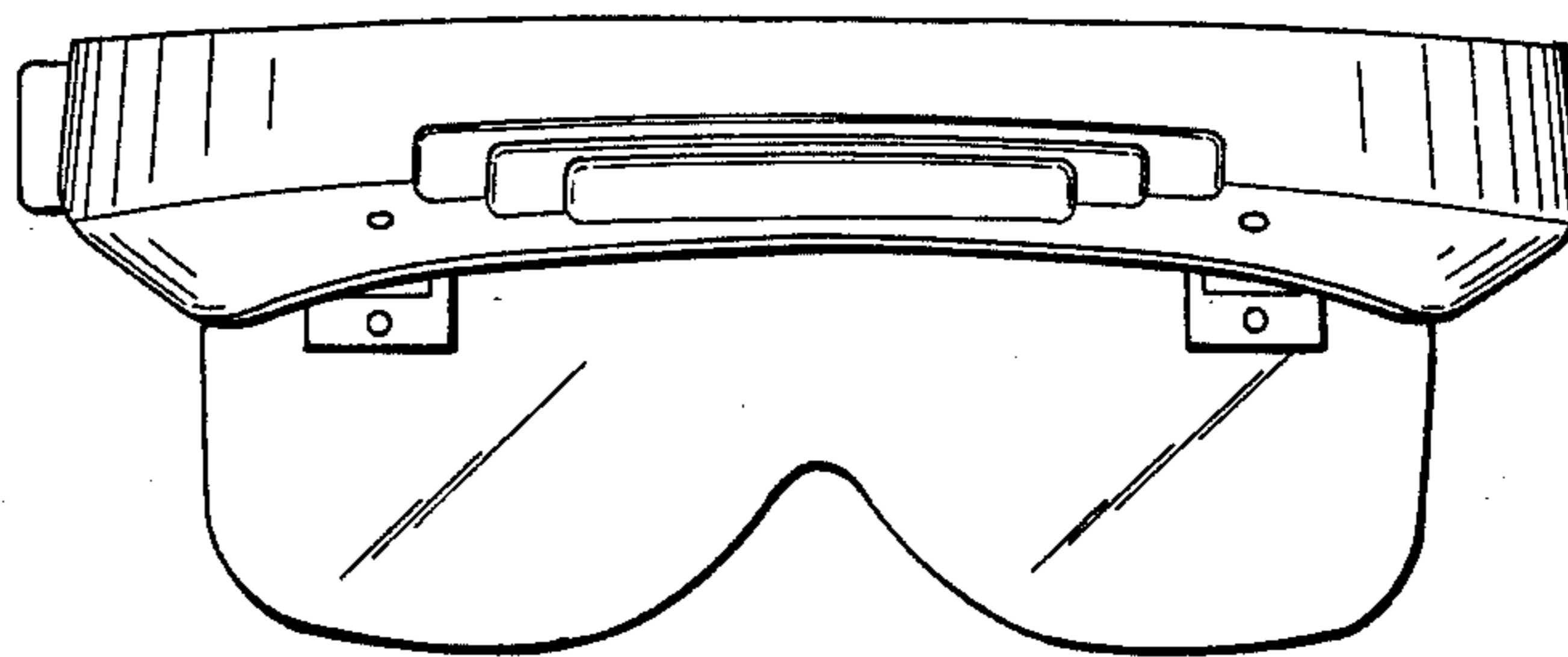


FIG. 8

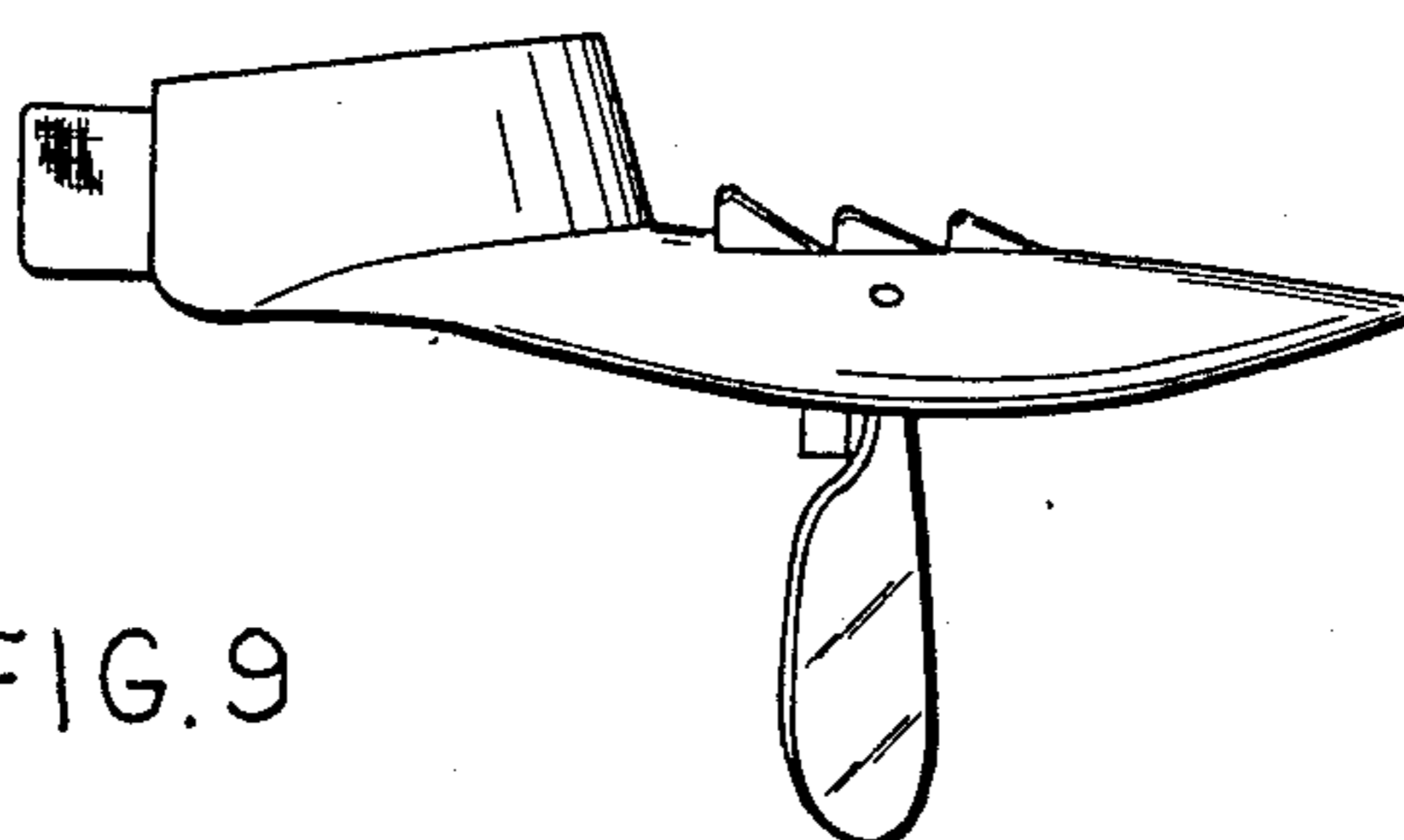


FIG. 9