

[54] TABLE LAMP

[75] Inventors: Perry King; Santiago Miranda, both of Milan, Italy

[73] Assignee: Flos S.P.A, Brescia, Italy

[\*\*] Term: 14 Years

[21] Appl. No.: 845,048

[22] Filed: Mar. 17, 1986

[52] U.S. Cl. .... D26/93

[58] Field of Search ..... D26/93, 102-112; 362/410, 411, 412, 413, 414, 806

[56] References Cited

U.S. PATENT DOCUMENTS

- D. 150,564 8/1948 Gordon ..... D26/108
- D. 282,290 1/1986 Scarpa ..... D26/93

- D. 290,885 7/1987 Morita ..... D26/110
- 2,484,091 10/1949 Hirshfield ..... D26/112

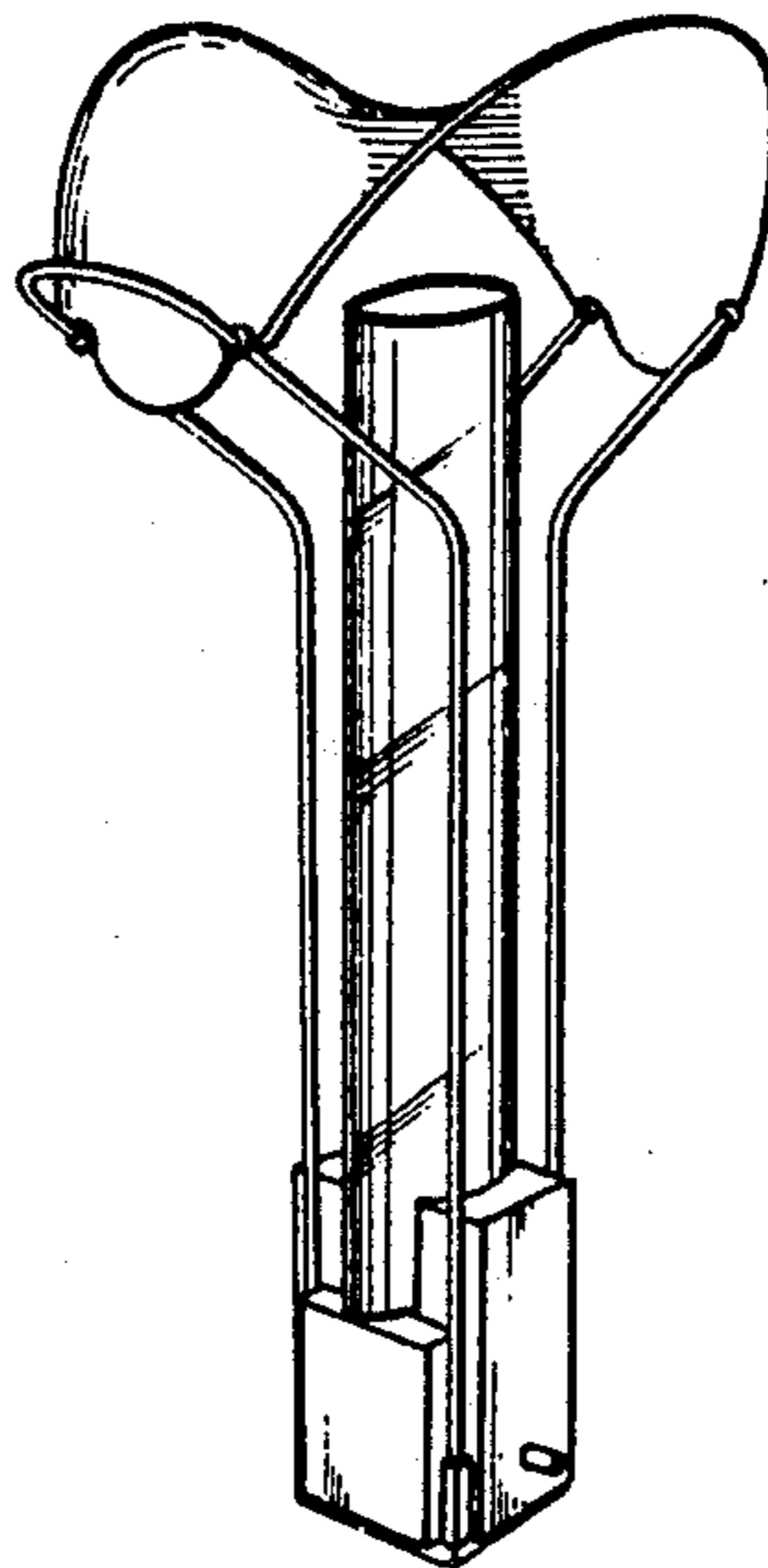
Primary Examiner—Susan J. Lucas  
Attorney, Agent, or Firm—McGlew & Tuttle

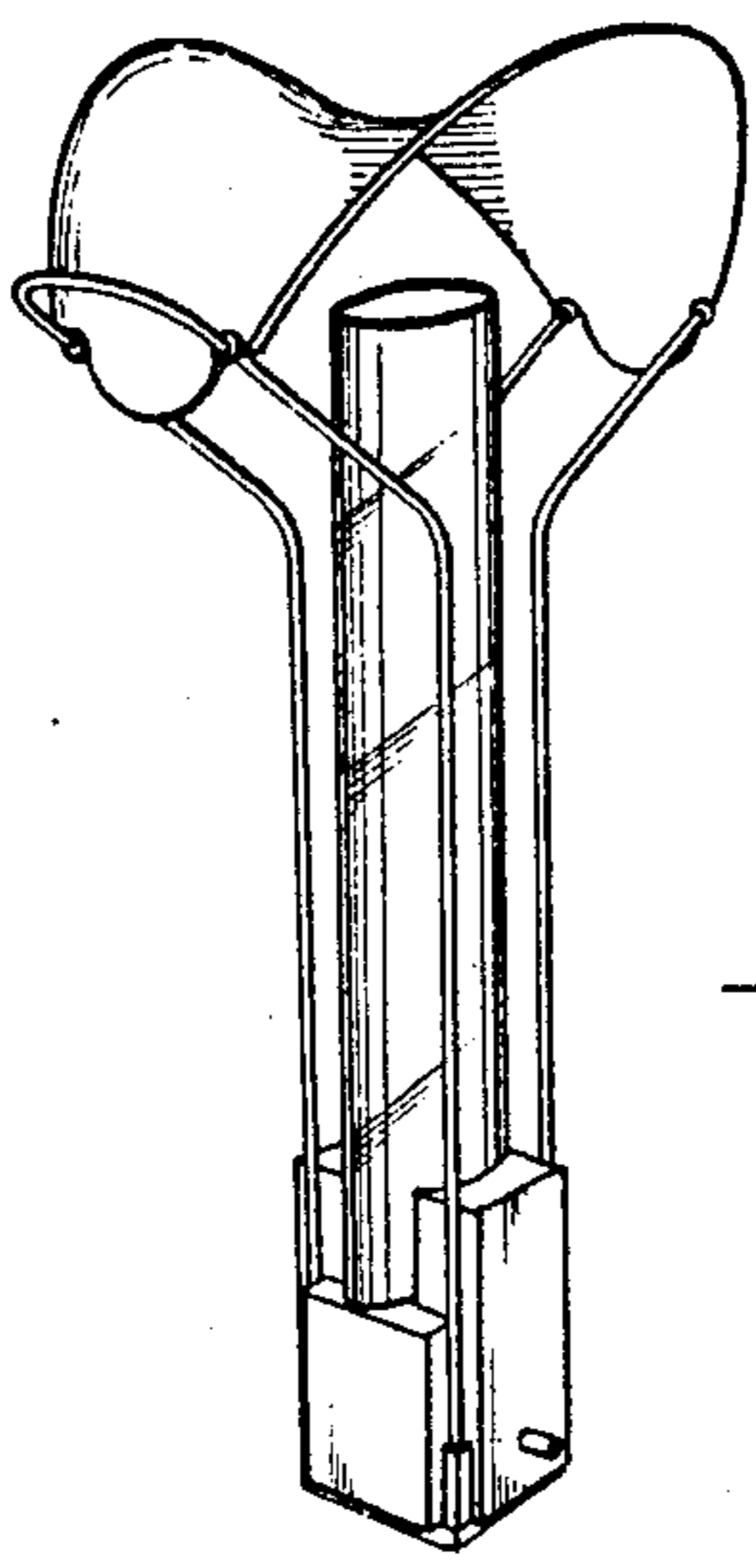
[57] CLAIM

The ornamental design for a table lamp, as shown and described.

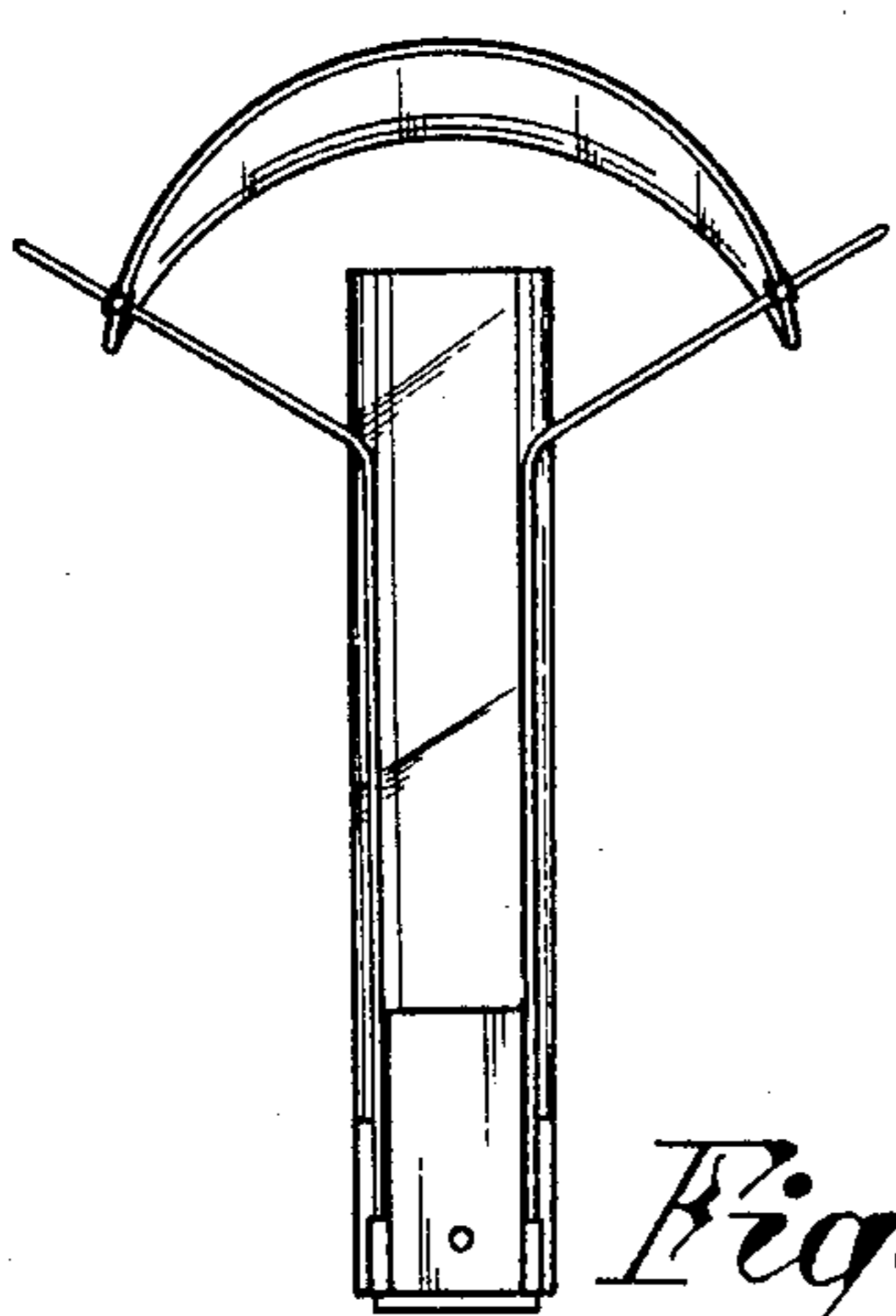
DESCRIPTION

- FIG. 1 is a front perspective view of a table lamp showing our new design;
- FIG. 2 is a front elevation view thereof;
- FIG. 3 is a side elevation view thereof;
- FIG. 4 is a top plan view thereof; and
- FIG. 5 is a bottom plan view thereof.
- FIG. 6 is a back perspective view of a table lamp thereof.
- FIG. 7 is opposite side elevation view thereof.

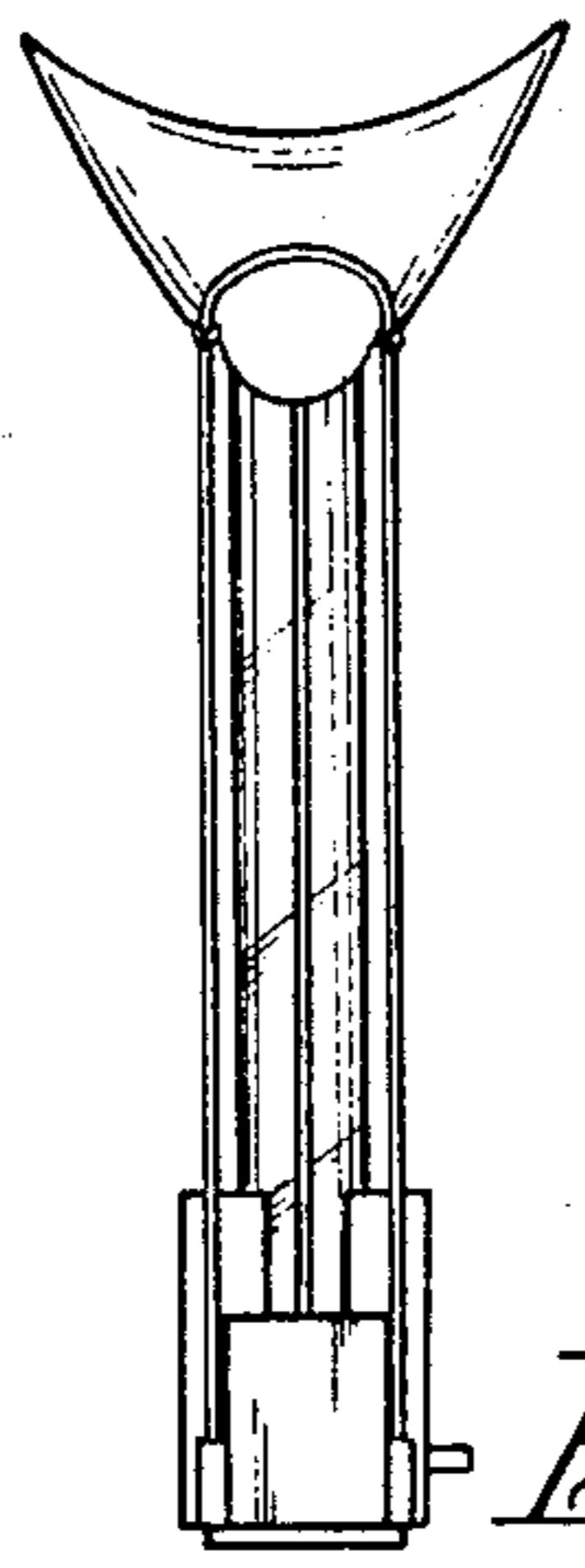




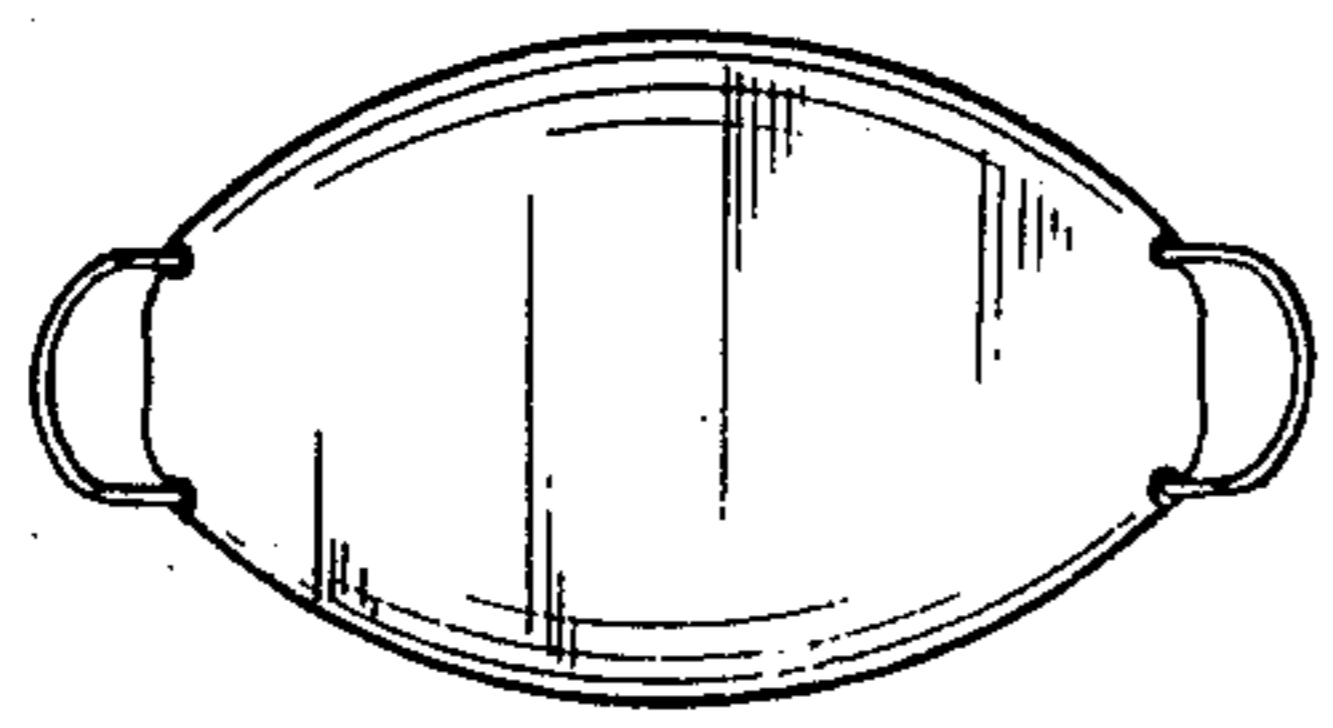
*Fig. 1*



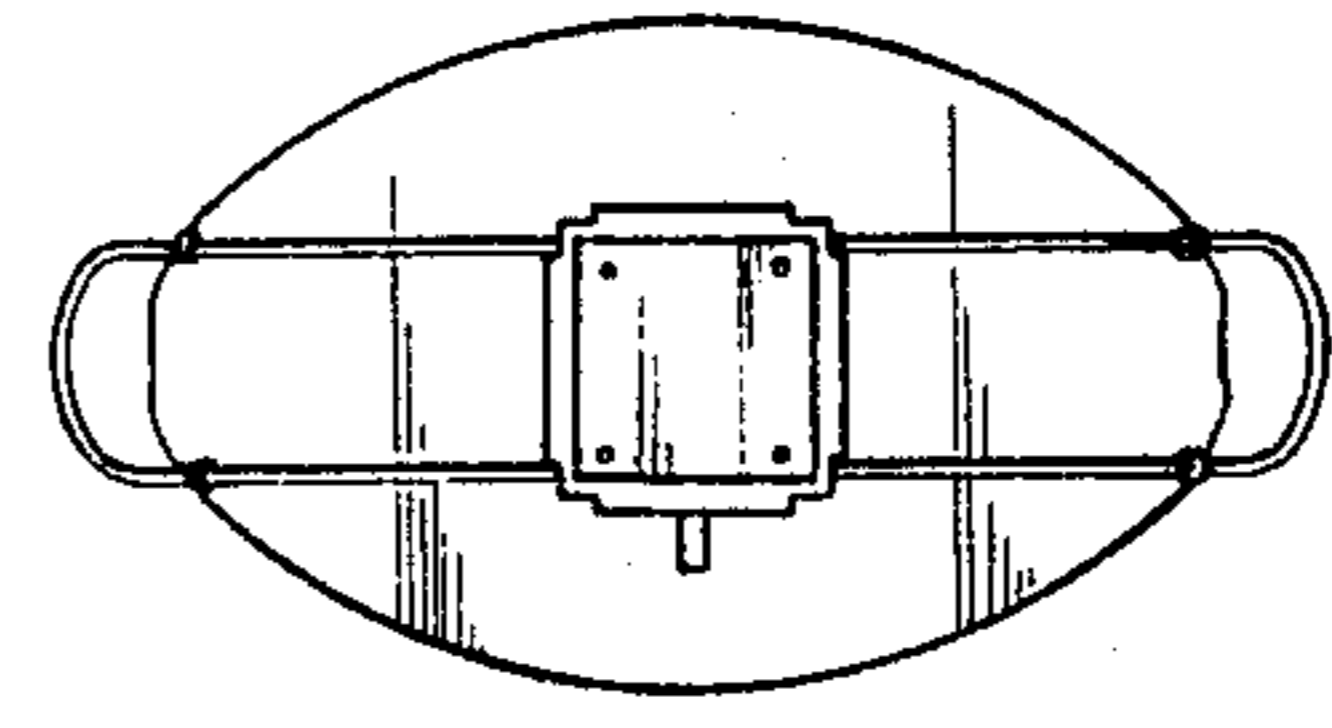
*Fig. 2*



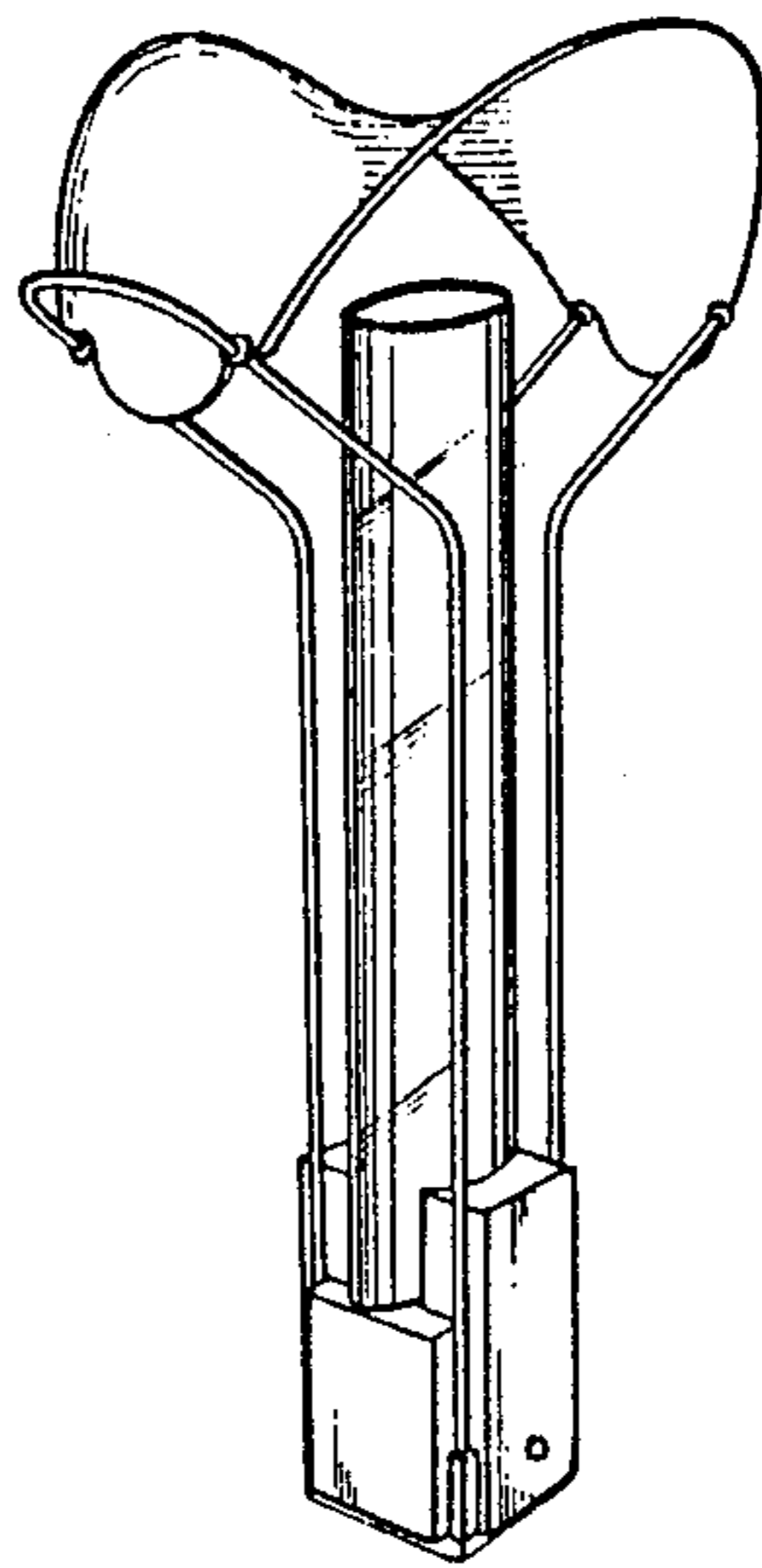
*Fig. 3*



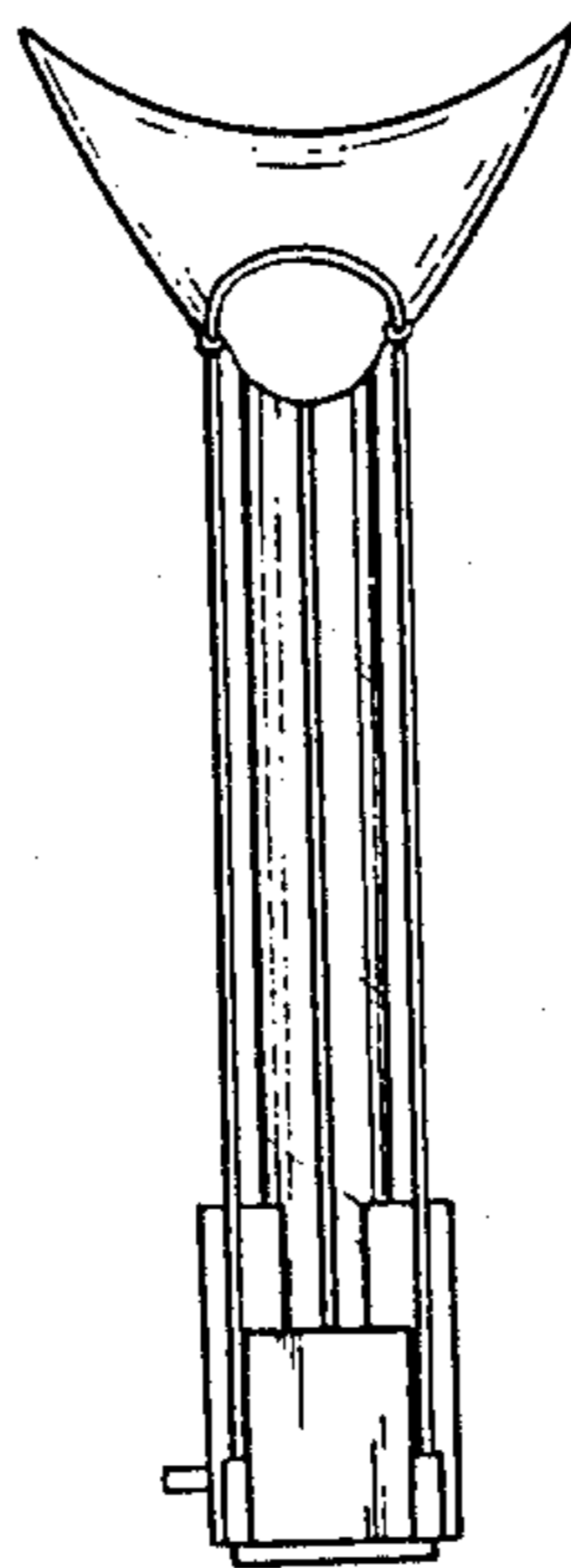
*Fig. 4*



*Fig. 5*



*Fig. 6*



*Fig. 7*