

[54] **RAIL GUIDE FOR PLIABLE PLASTIC
PREHUNG DOORS**

[75] **Inventor: Hans R. Hägg, Enköping, Sweden**

[73] **Assignee: Stiftelsen Westmannaprodukter,
Västerås, Sweden**

[**] **Term: 14 Years**

[21] **Appl. No.: 828,675**

[22] **Filed: Feb. 12, 1986**

[52] **U.S. Cl. D25/119**

[58] **Field of Search 52/204, 716, 720-739;
49/413, 419, 475, 501, 504; D25/119-125, 164**

[56] **References Cited**

U.S. PATENT DOCUMENTS

- D. 221,742 9/1971 Starck et al. D25/119
- D. 250,483 12/1978 Dallaire D25/119
- D. 272,711 2/1984 Griset D25/121 X

Primary Examiner—A. Hugo Word
Attorney, Agent, or Firm—Banner, Birch, McKie & Beckett

[57] **CLAIM**

The ornamental design for a rail guide for pliable plastic prehung doors, as shown.

DESCRIPTION

FIG. 1 is a top perspective view of a rail guide for pliable plastic prehung doors, showing my new design; and
FIG. 2 is a bottom perspective view thereof.

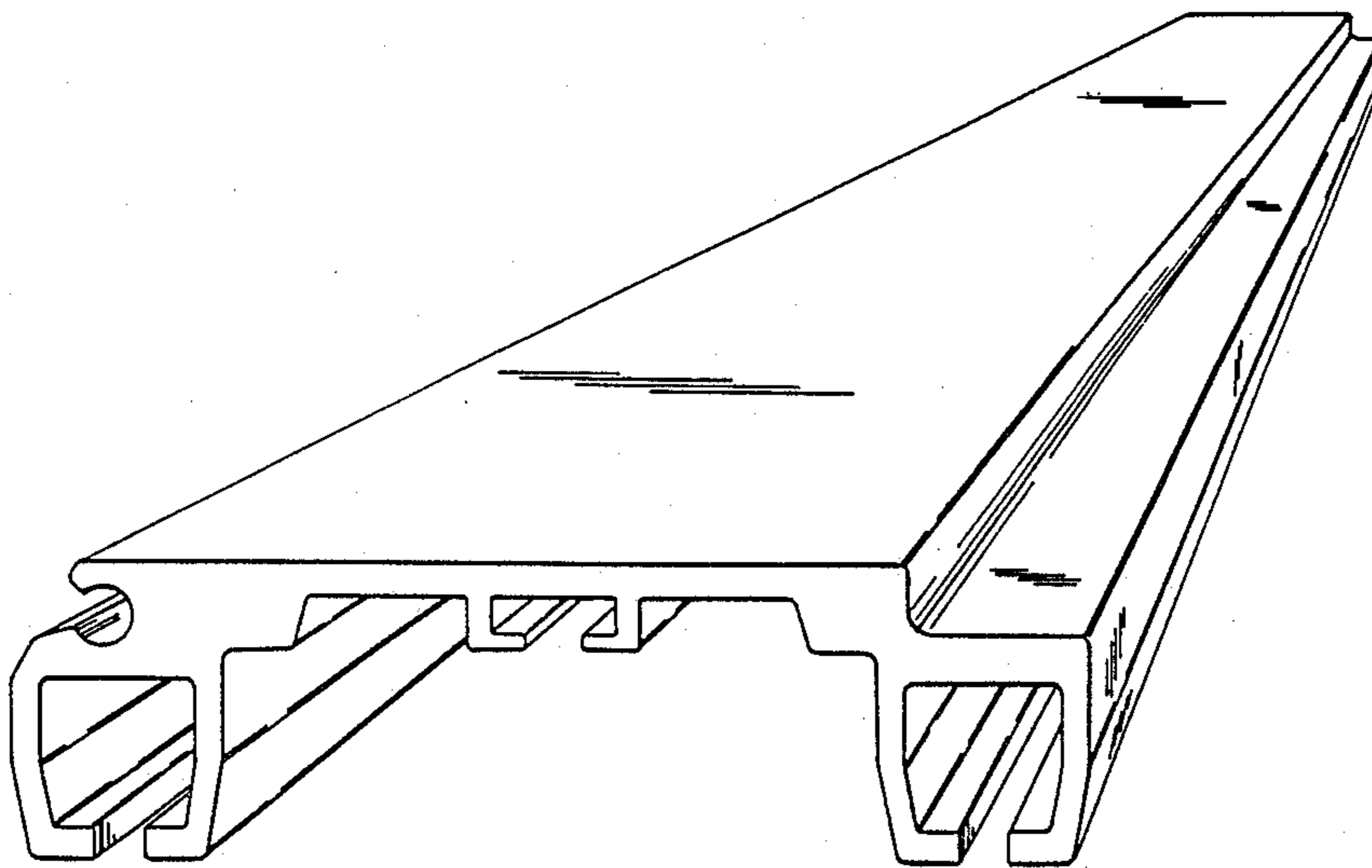


FIG. 1

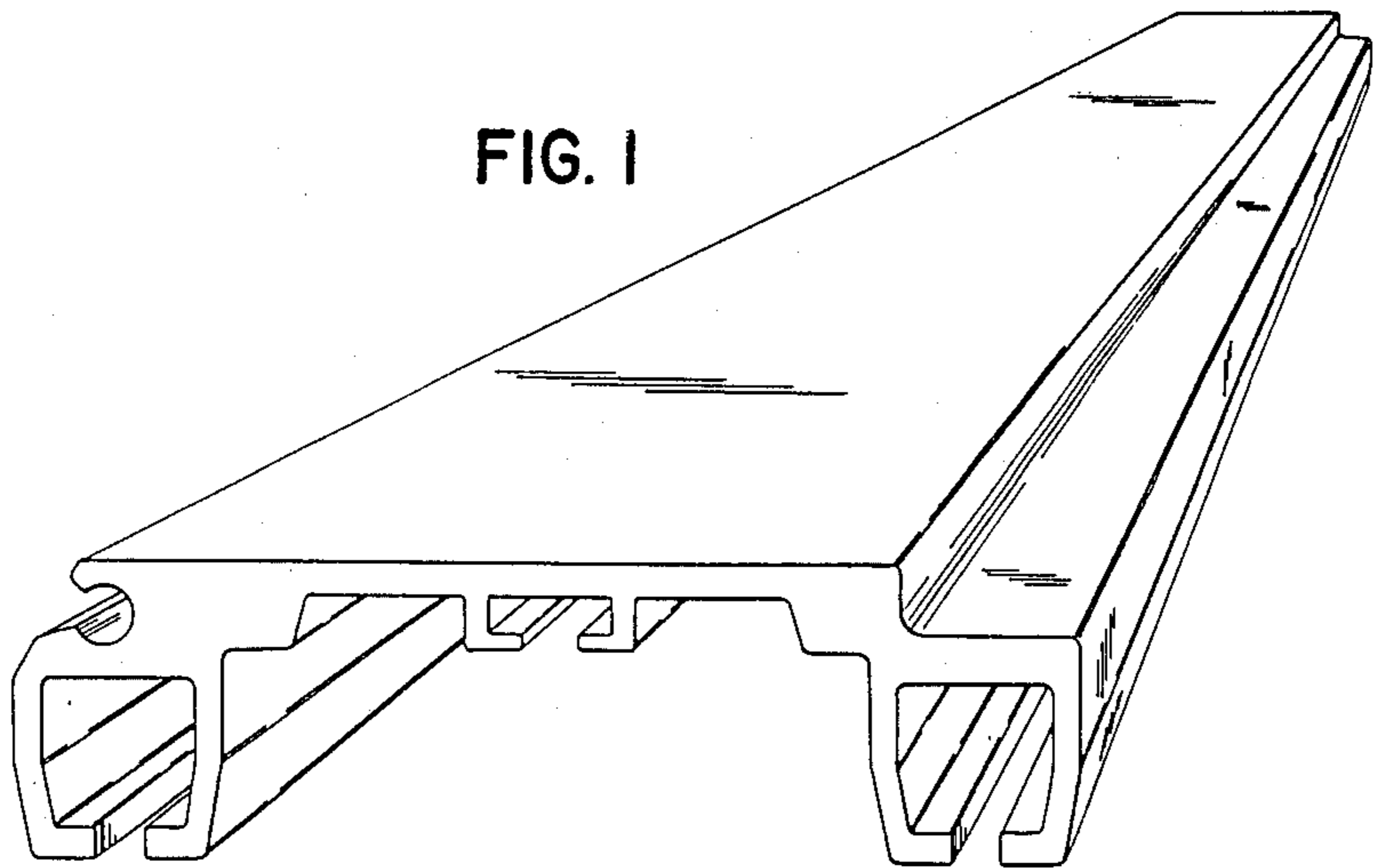


FIG. 2

