

[54] BURGLAR BAR

[75] Inventor: Richard G. Kluge, Pell Lake, Wis.

[73] Assignee: John Sterling Corporation,
Richmond, Ill.

[**] Term: 14 Years

[21] Appl. No.: 144,939

[22] Filed: Jan. 19, 1988

[52] U.S. Cl. D25/53

[58] Field of Search 49/50, 55, 57; 160/104;
D25/53

[56] References Cited

U.S. PATENT DOCUMENTS

- D. 180,931 9/1957 Curtze D25/53
- 3,738,062 6/1973 Ughi 49/55
- 3,942,576 3/1976 Rickard D25/53 X

4,121,378 10/1978 Wahl 49/55

Primary Examiner—A. Hugo Word
Attorney, Agent, or Firm—McCaleb, Lucas & Brugman

[57] CLAIM

The ornamental design for a burglar bar, as shown and described.

DESCRIPTION

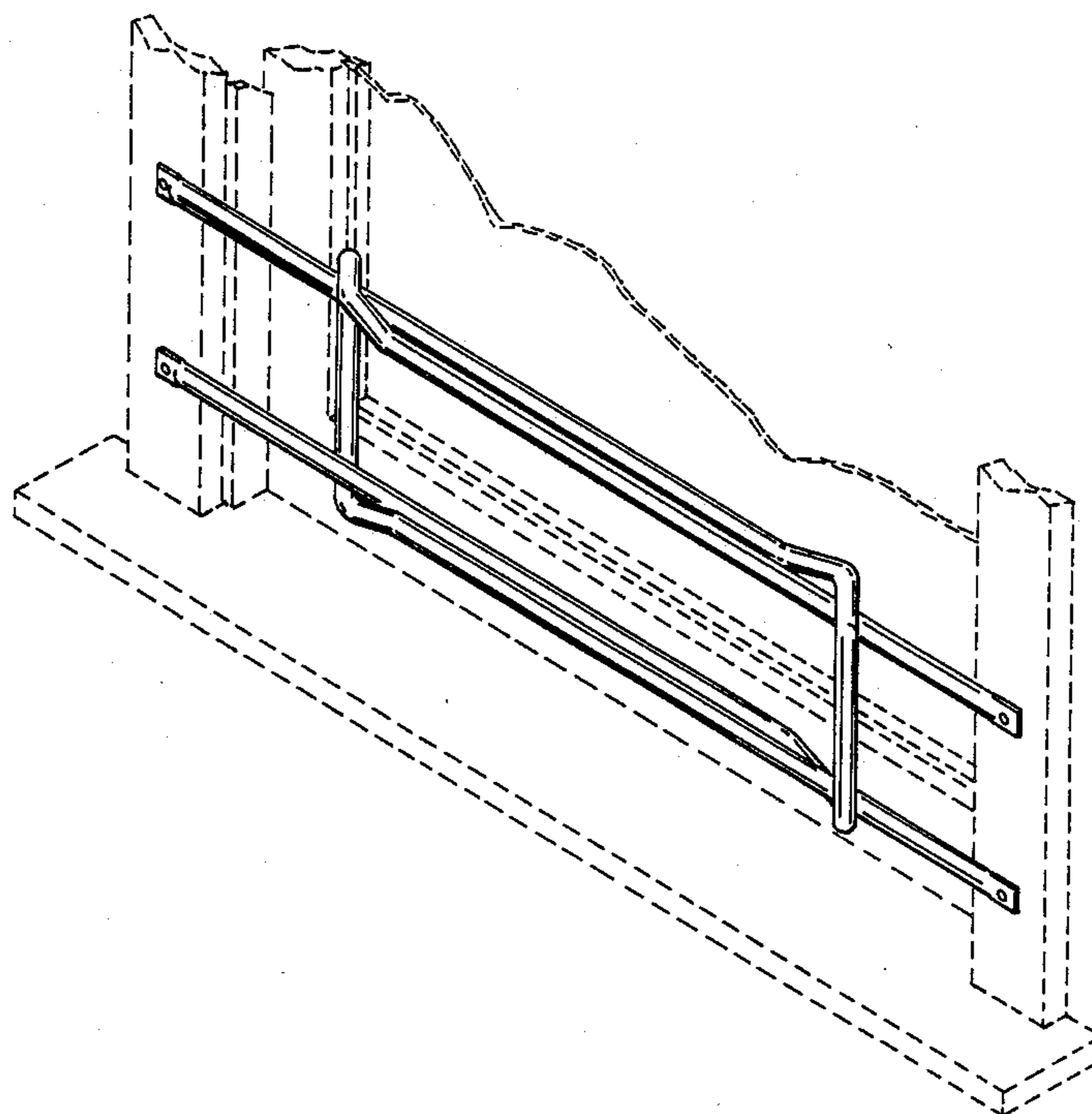
FIG. 1 is a perspective view of a burglar bar embodying my new design, the broken line showing of a window frame is for illustrative purposes only and forms no part of the claimed design;

FIG. 2 is a front elevational view of the burglar bar shown in FIG. 1;

FIG. 3 is a top plan view thereof;

FIG. 4 is a bottom plan view thereof; and

FIG. 5 is an end elevational view thereof; the opposite end view being identical thereto.



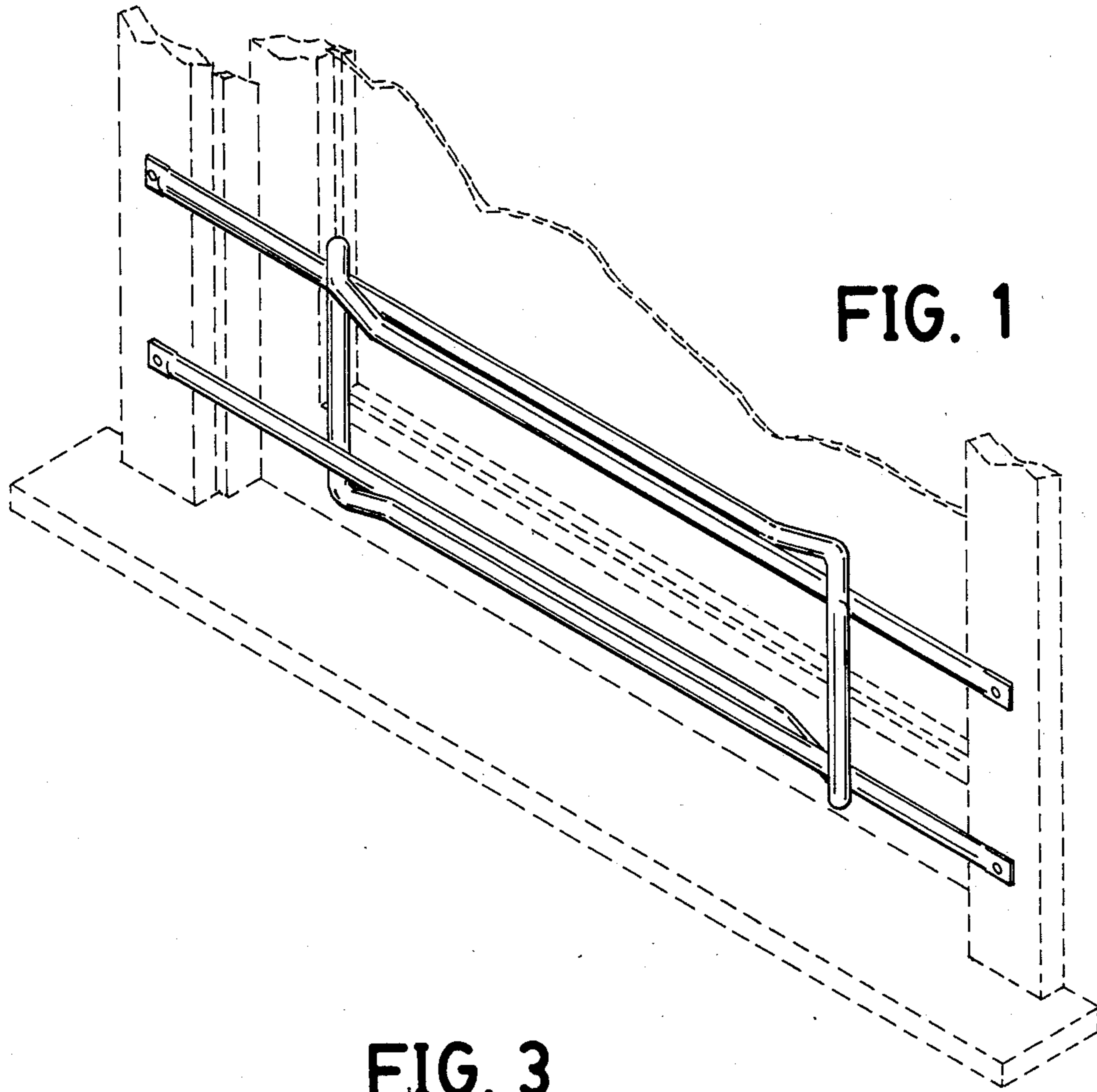


FIG. 3

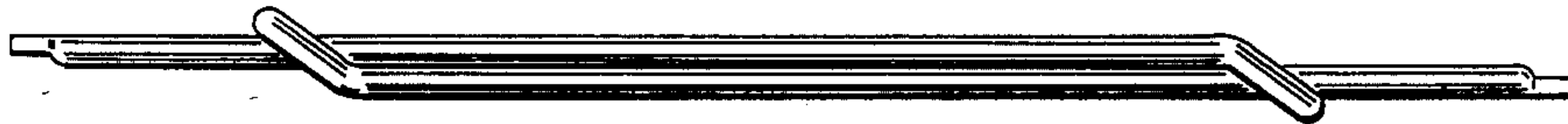


FIG. 2

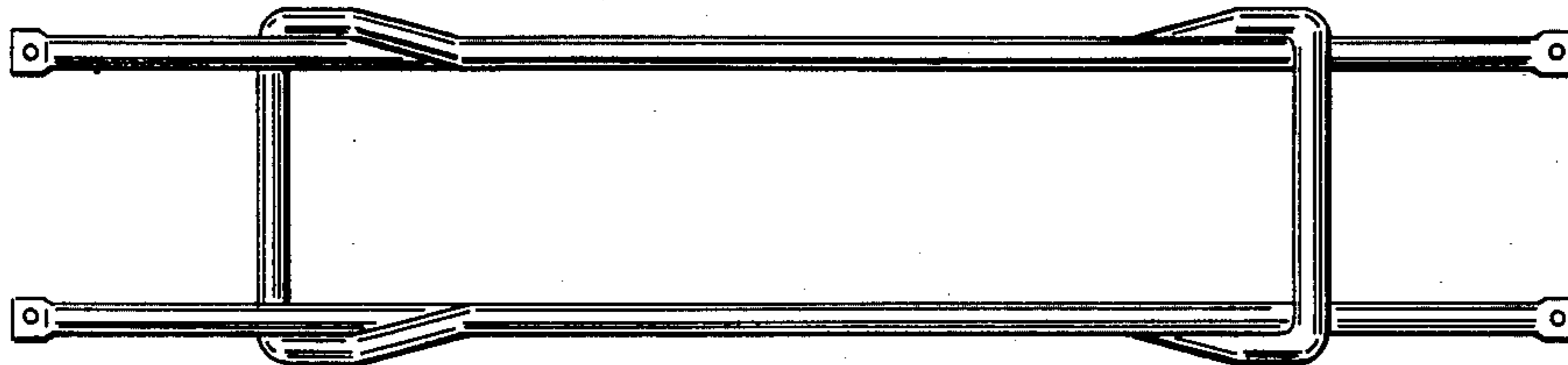


FIG. 5



FIG. 4

