

[54] KERATOMETER

[75] Inventors: Hiroaki Sasaki, Yokohama; Yukitsugu Nakamura, Sagamihara, both of Japan

[73] Assignee: Canon Kabushiki Kaisha, Tokyo, Japan

[**] Term: 14 Years

[21] Appl. No.: 850,904

[22] Filed: Apr. 8, 1986

[52] U.S. Cl. D24/17

[58] Field of Search D24/17; 351/245, 200, 351/205, 206, 209-214, 217, 221, 224, 245, 246

[56] References Cited

U.S. PATENT DOCUMENTS

4,187,005	2/1980	Rosenberger	351/245
4,363,536	12/1982	Thaer et al.	351/245
4,420,228	12/1983	Humphrey	351/212

Primary Examiner—Wallace R. Burke

Assistant Examiner—Stella M. Reid
Attorney, Agent, or Firm—Fitzpatrick, Cella, Harper & Scinto

[57] CLAIM

The ornamental design for a keratometer, as shown and described.

DESCRIPTION

FIG. 1 is a front elevational view of a keratometer showing our new design;
 FIG. 2 is a rear view thereof;
 FIG. 3 is a top plan view thereof;
 FIG. 4 is a bottom plan view thereof;
 FIG. 5 is a side elevational view as seen from the left of FIG. 1;
 FIG. 6 is a side elevational view as seen from the right of FIG. 1 and
 FIG. 7 is a perspective view thereof, with the keratometer in mounted position; the broken line showing of the microscope and power cord being for illustrative purposes only and forming no part of the claimed design and portions of the design being omitted for ease of illustration.

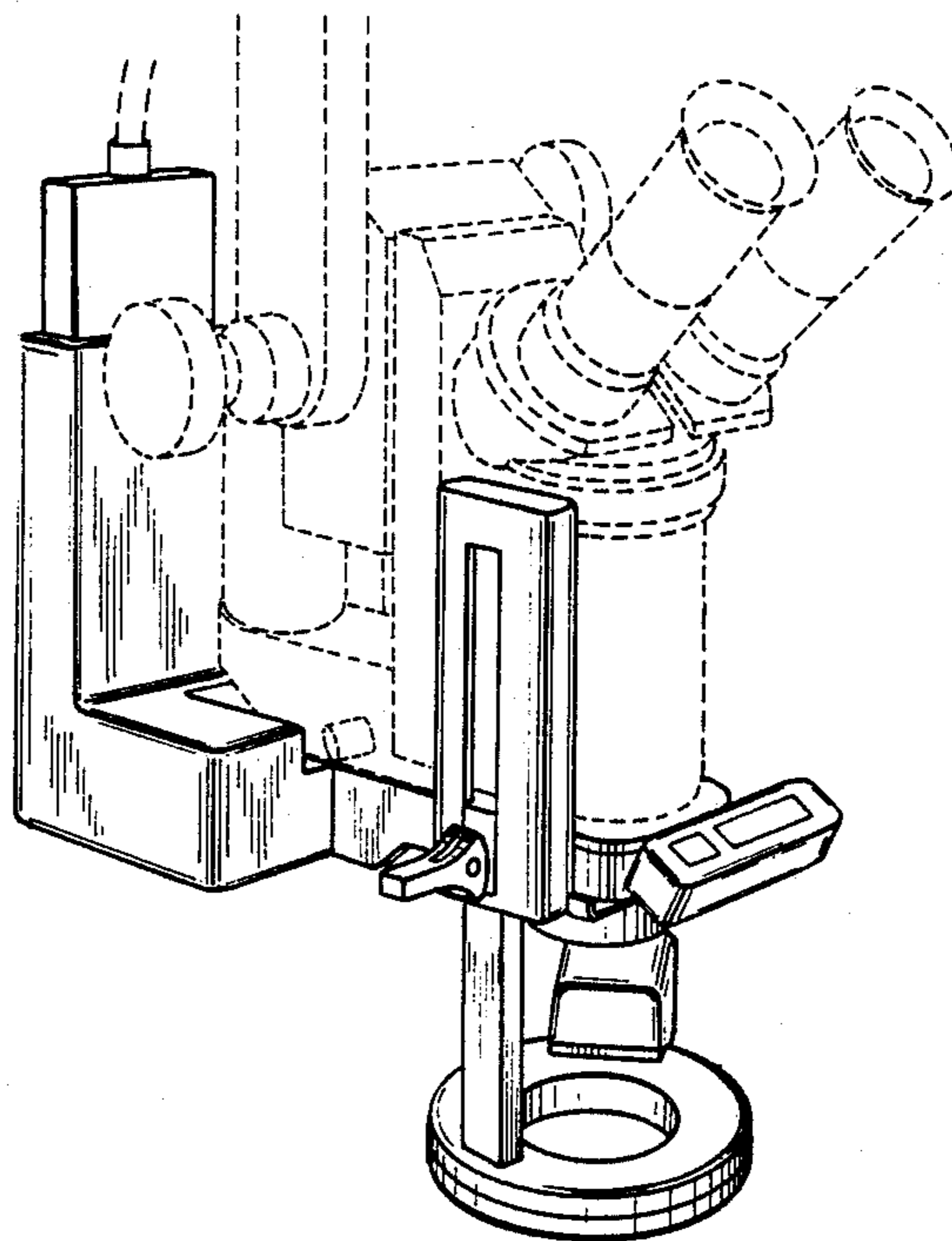


FIG. 1

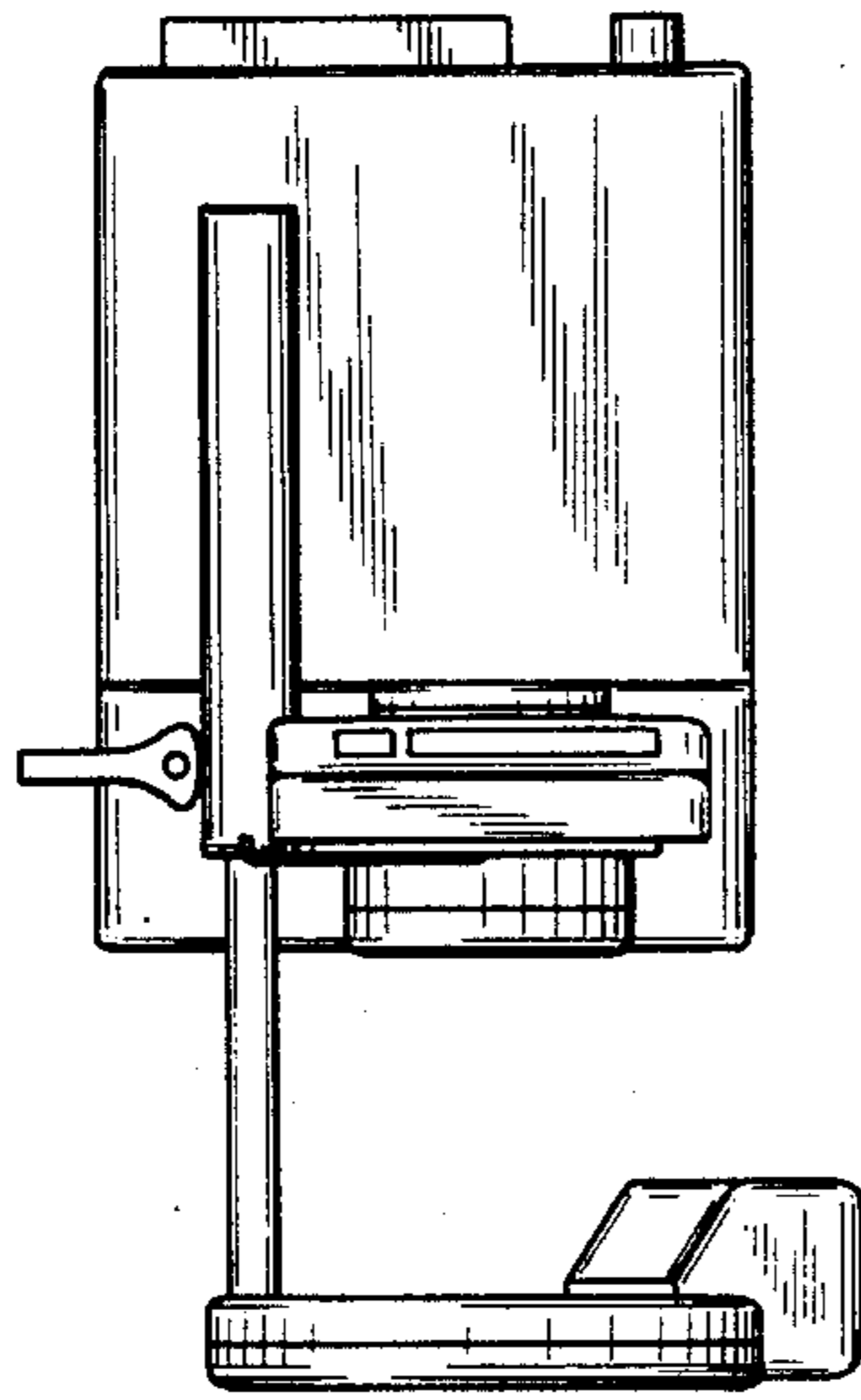


FIG. 2

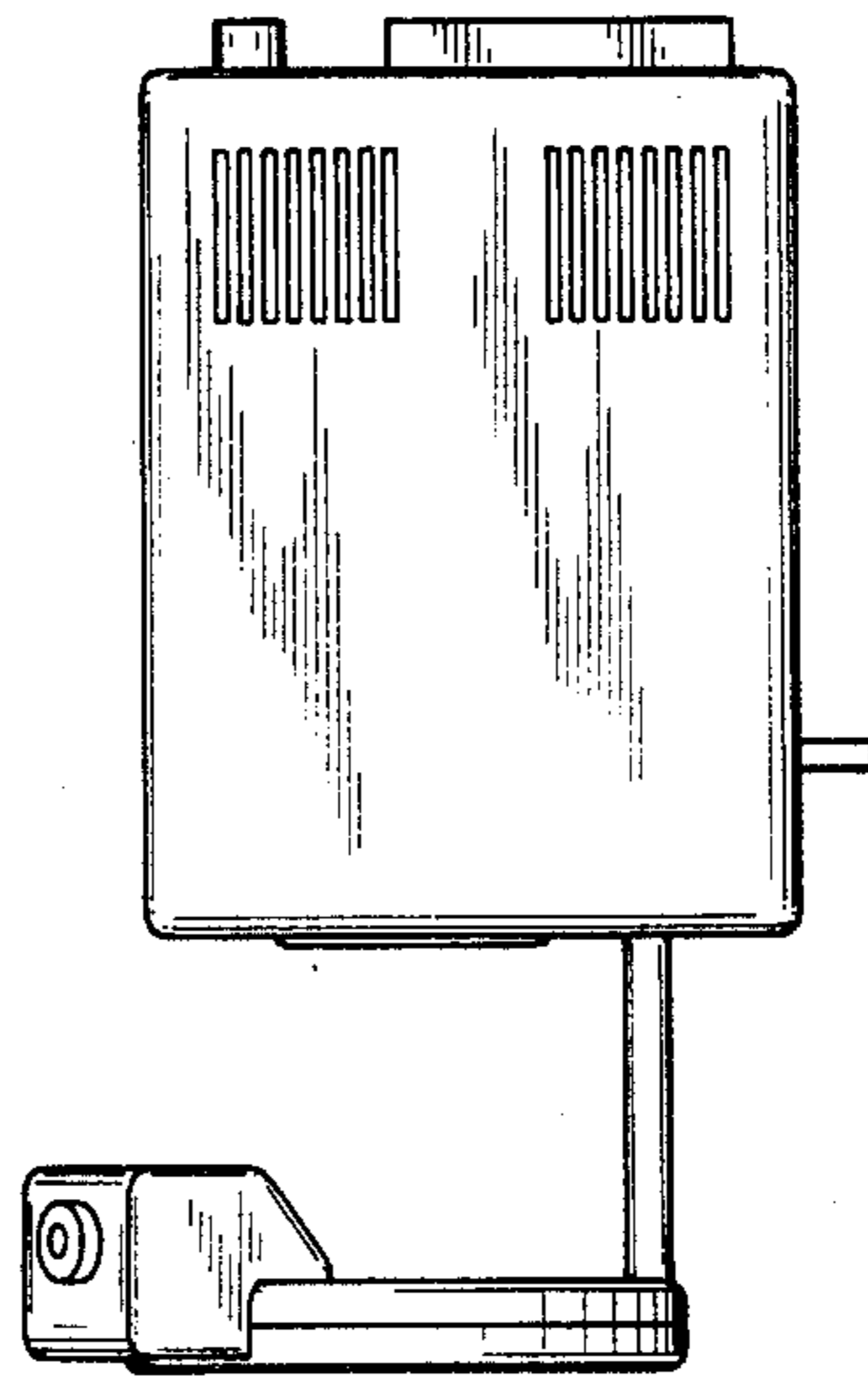


FIG. 3

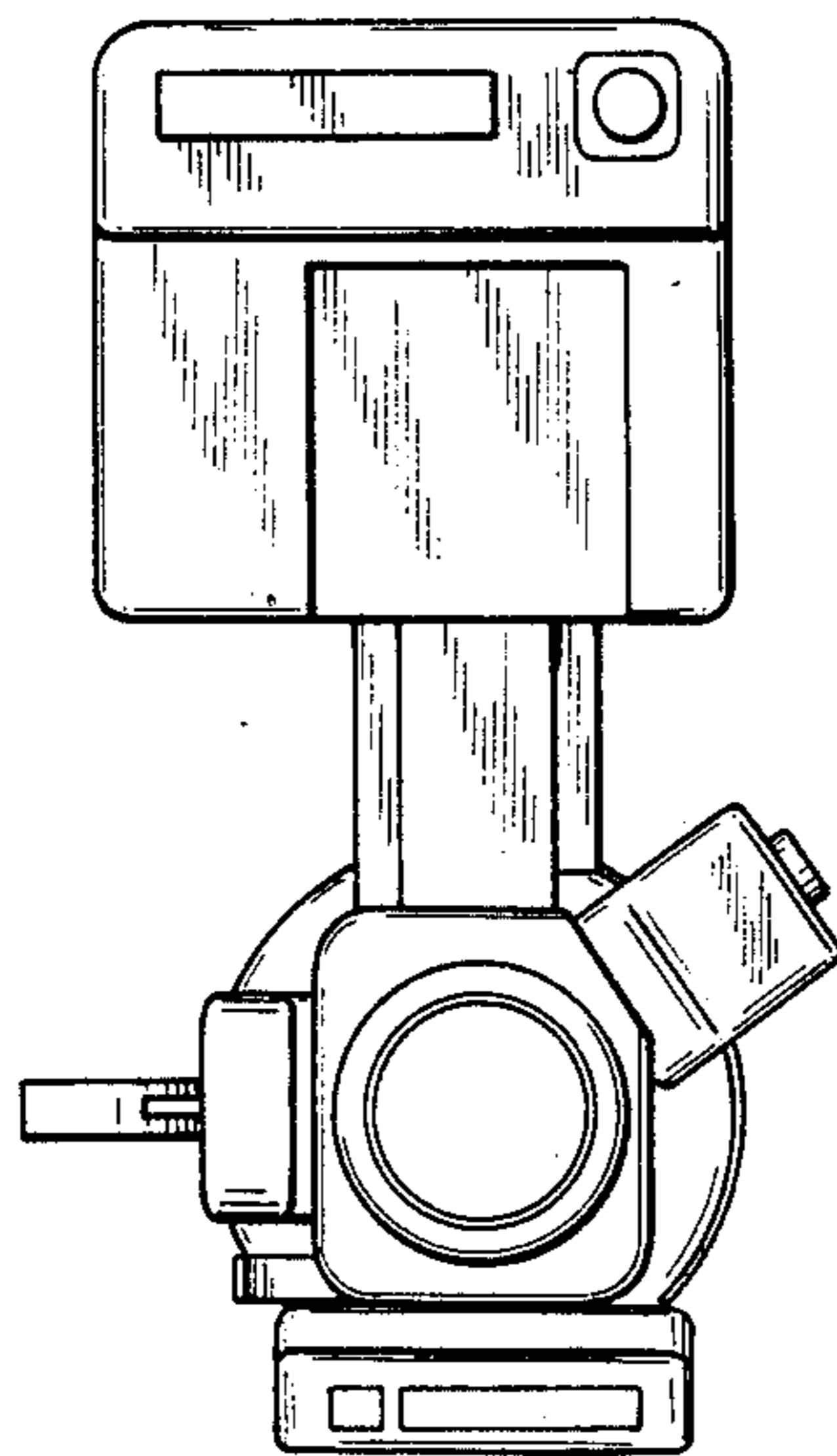


FIG. 4

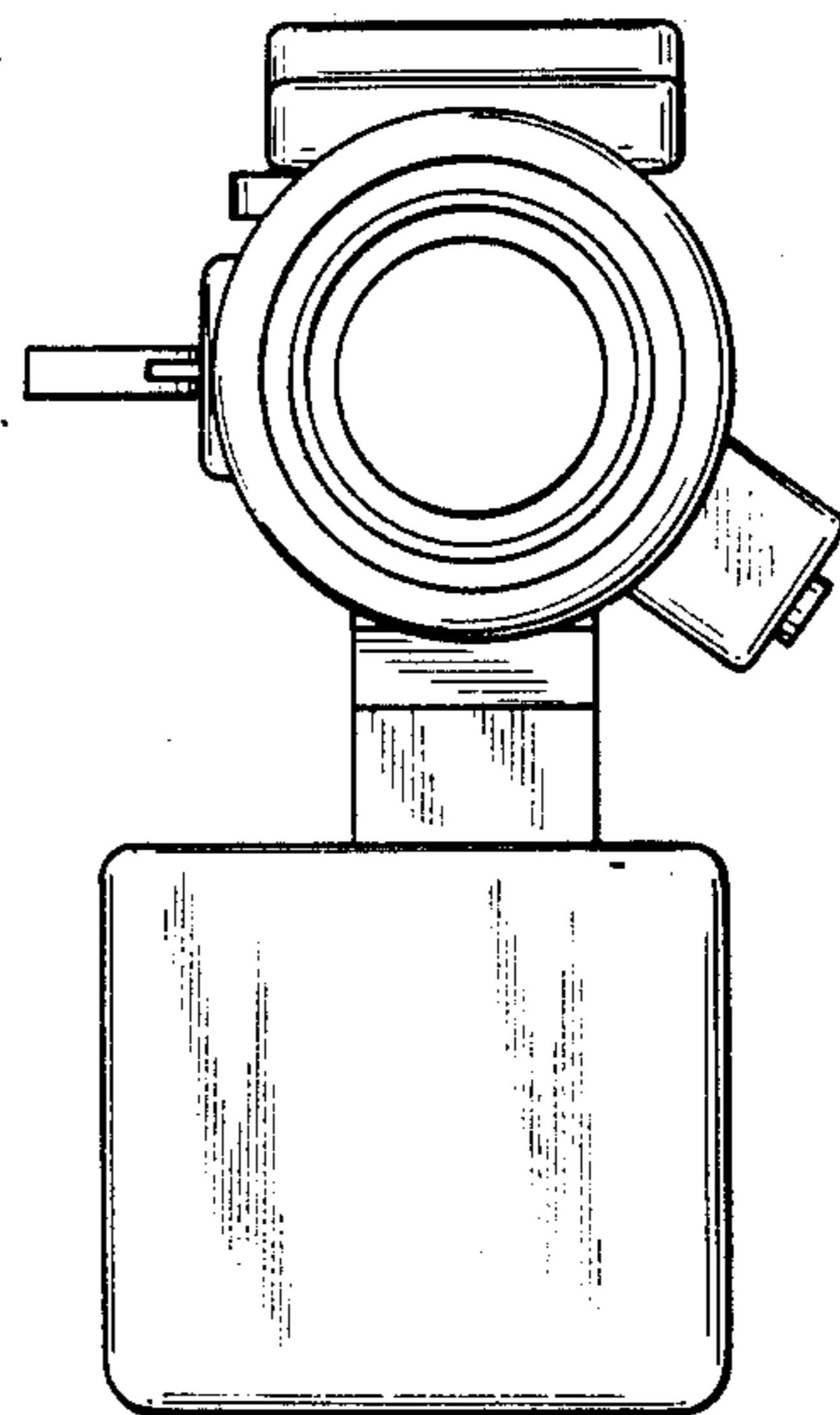


FIG. 5

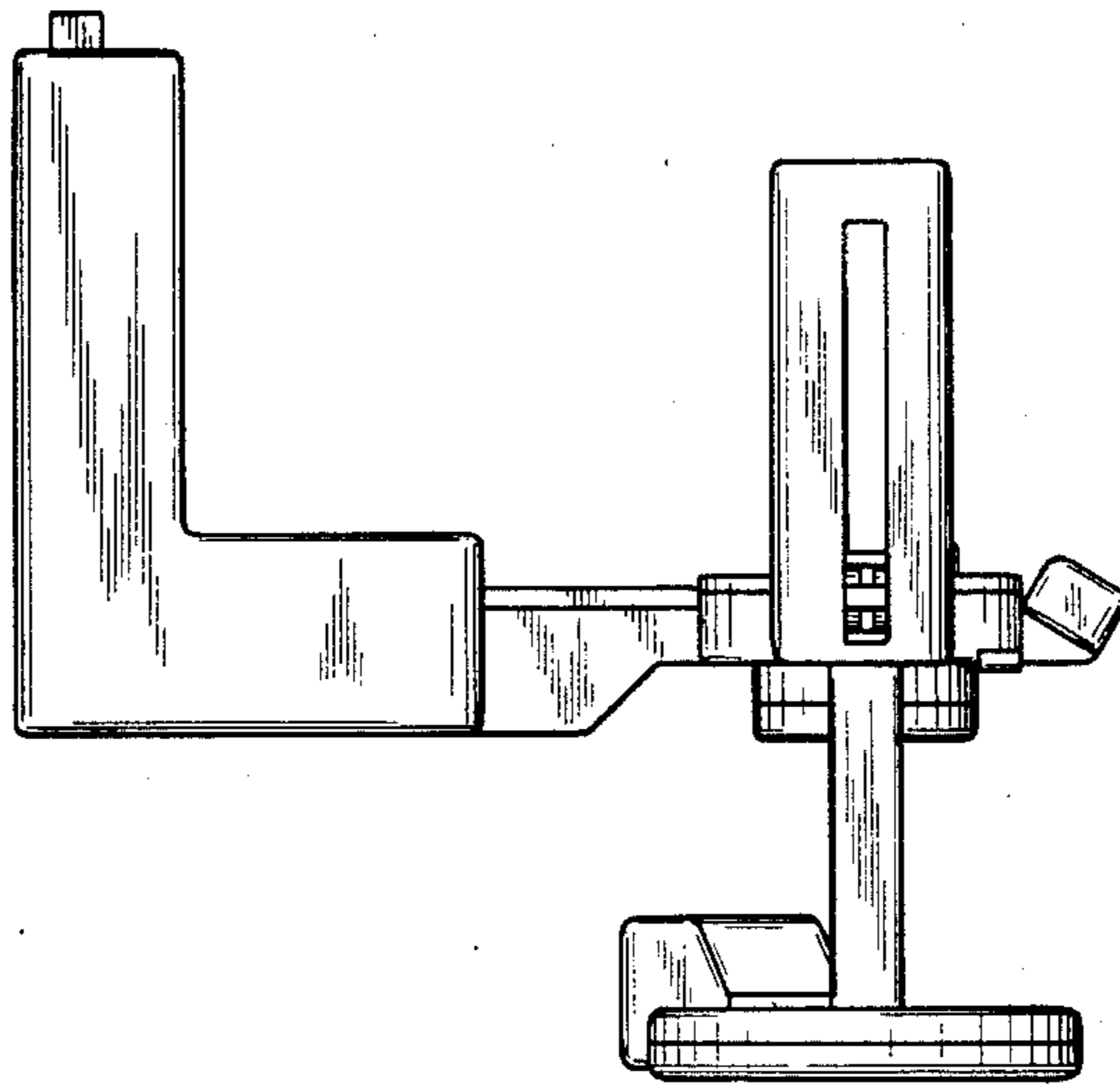


FIG. 6

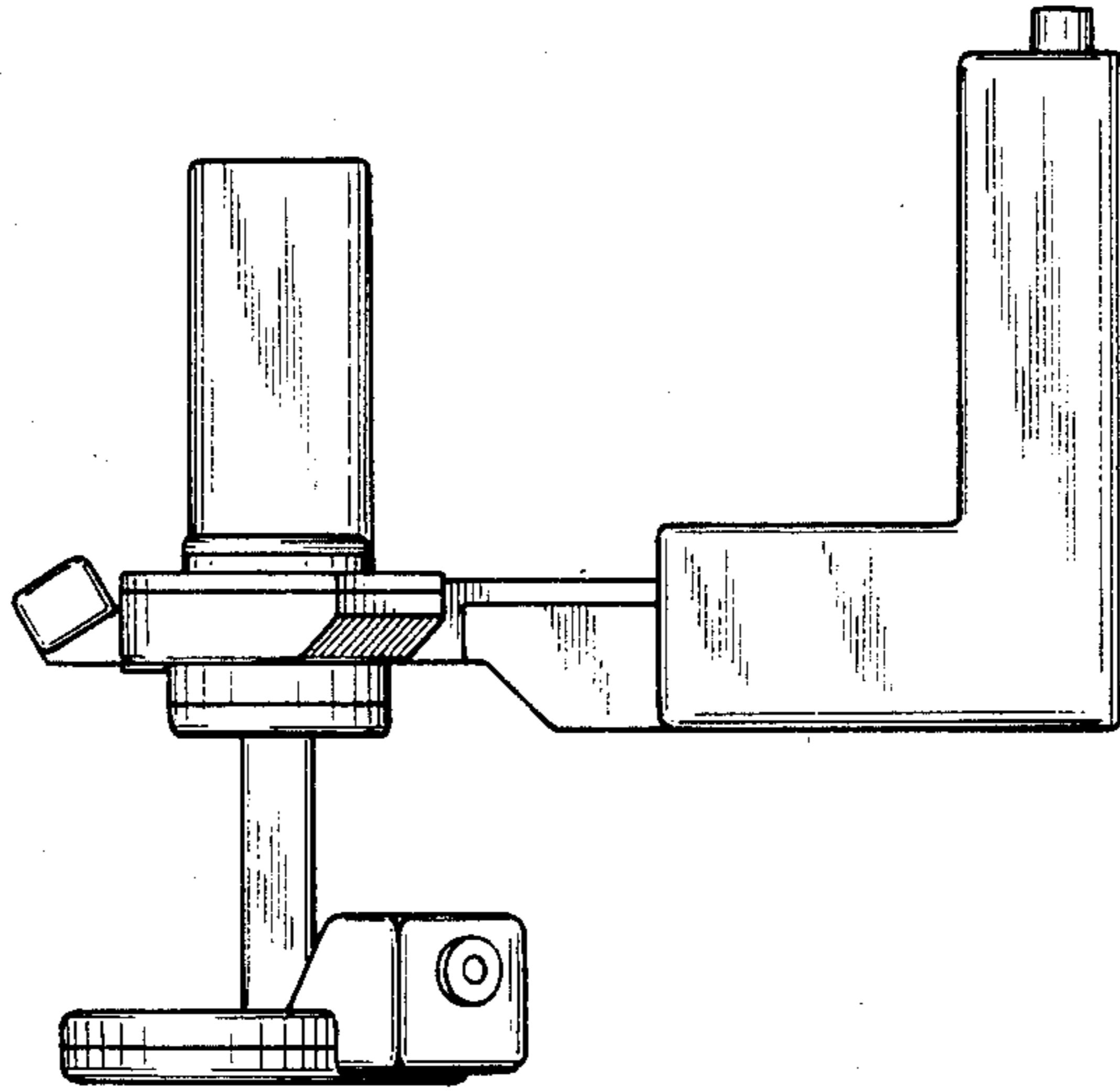


FIG. 7

