

United States Patent [19]

Sedlmair

[11] Patent Number: **Des. 299,734**

[45] Date of Patent: **** Feb. 7, 1989**

[54] **TOEPIECE FOR SKI BINDING**
[75] Inventor: **Gerhard Sedlmair, Farchant, Fed. Rep. of Germany**
[73] Assignee: **Marker Deutschland GmbH, Garmisch-Partenkirchen, Fed. Rep. of Germany**

[**] Term: **14 Years**
[21] Appl. No.: **746,955**
[22] Filed: **Jun. 20, 1985**

[30] **Foreign Application Priority Data**
Dec. 21, 1984 [DE] Fed. Rep. of Germany 11AR4737/84
[52] U.S. Cl. **D21/230**
[58] Field of Search D21/230; 280/630, 623, 280/626, 627, 628, 631, 634, 635

[56] **References Cited**
U.S. PATENT DOCUMENTS
D. 236,014 7/1975 Iizuka 280/630
D. 268,945 5/1983 Beyl D21/230
D. 274,449 6/1984 Segers et al. D21/230
3,567,238 3/1971 Brunner 280/630

3,625,535 12/1971 Oehlmann 280/630
3,782,743 1/1974 Sittmann 280/630
3,907,319 9/1975 Berlied D21/230
4,218,071 8/1980 Salomon 280/630

FOREIGN PATENT DOCUMENTS

1185518 1/1985 Fed. Rep. of Germany 280/680

OTHER PUBLICATIONS

Ski Magazine, 11-1978, p. 15, Toe Clamp.
Ski Flash Magazine, 3-1978, p. 66, "Marker' Toe Clamp".
Primary Examiner—Charles A. Rademaker
Attorney, Agent, or Firm—D. Peter Hochberg; Mark M. Kusner; Louis J. Weisz

[57] **CLAIM**
The ornamental design for a toepiece for ski binding, substantially as shown.

DESCRIPTION

FIG. 1 is a side elevational view of a toepiece for ski binding showing my new design;
FIG. 2 is a top plan view thereof;
FIG. 3 is a bottom plan view thereof; and
FIG. 4 is a rear elevational view thereof; and
FIG. 5 is a perspective view thereof.

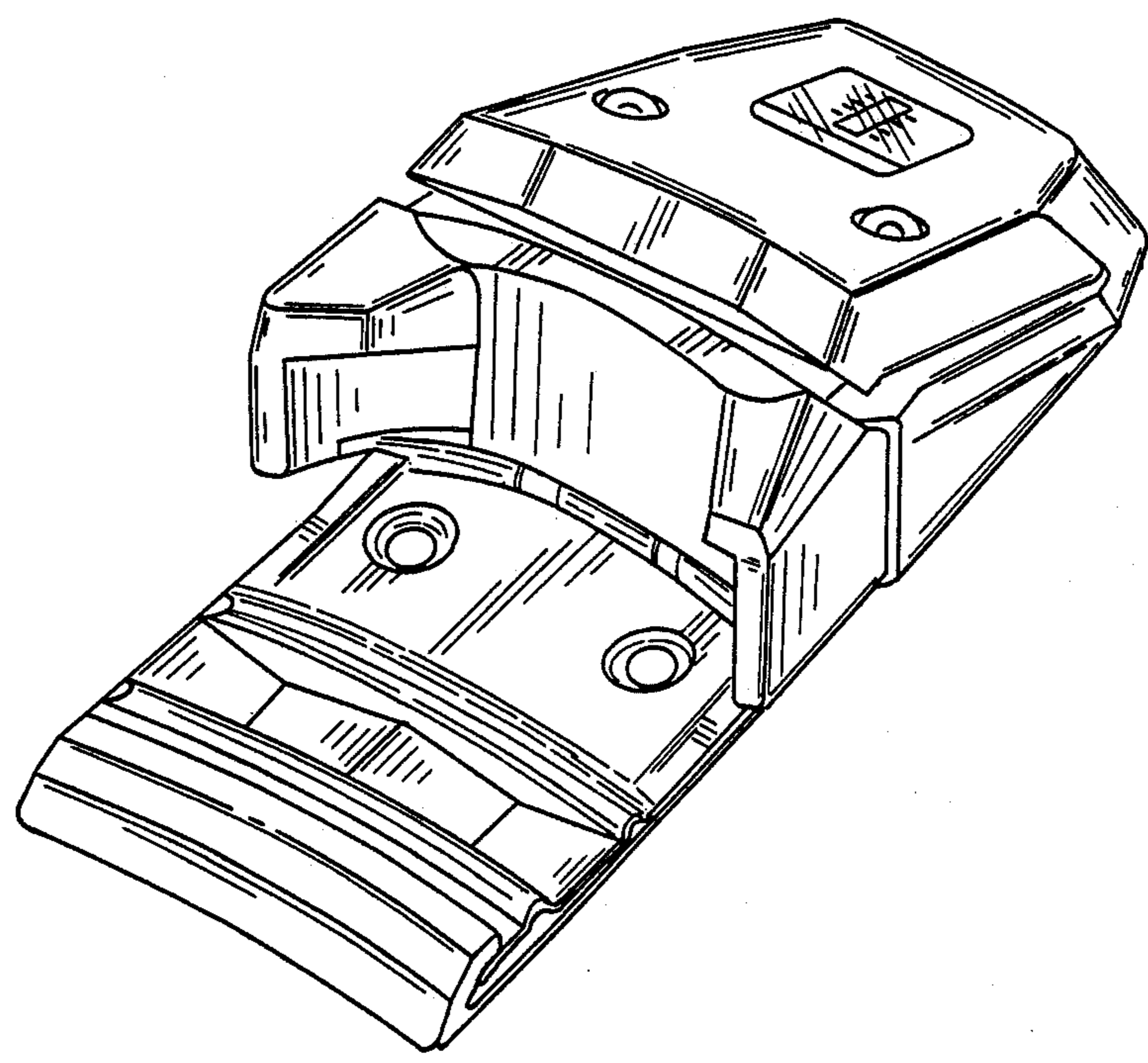


FIG. 1

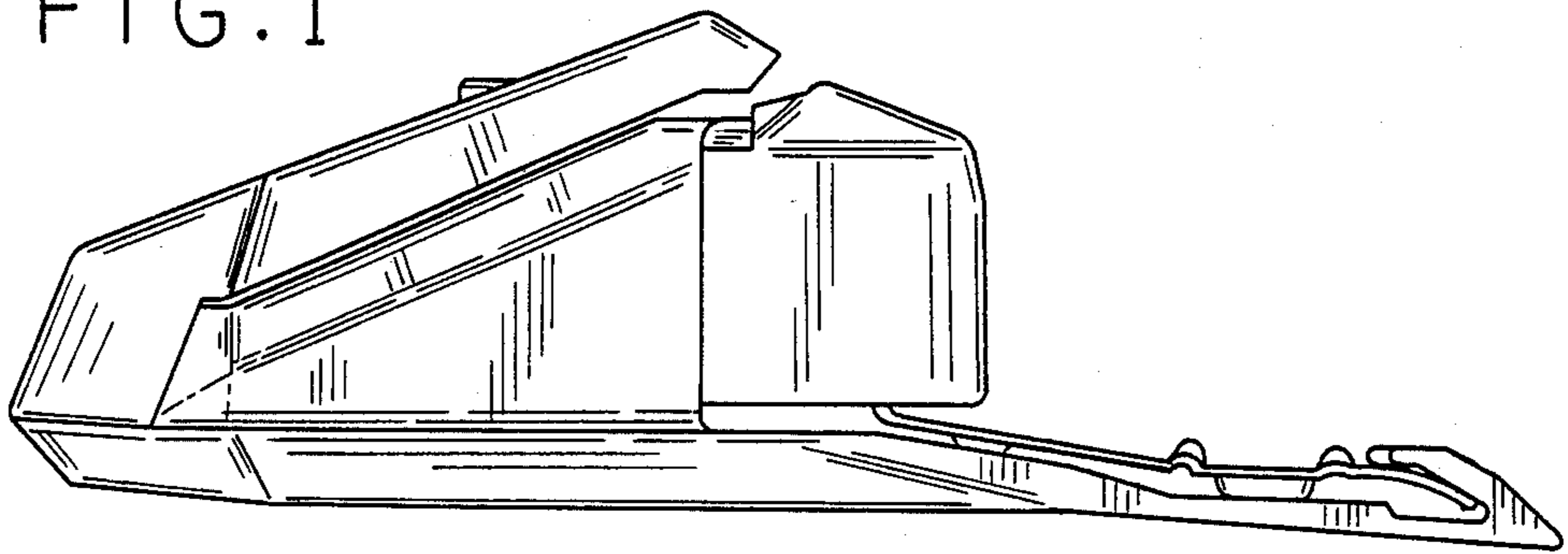


FIG. 2

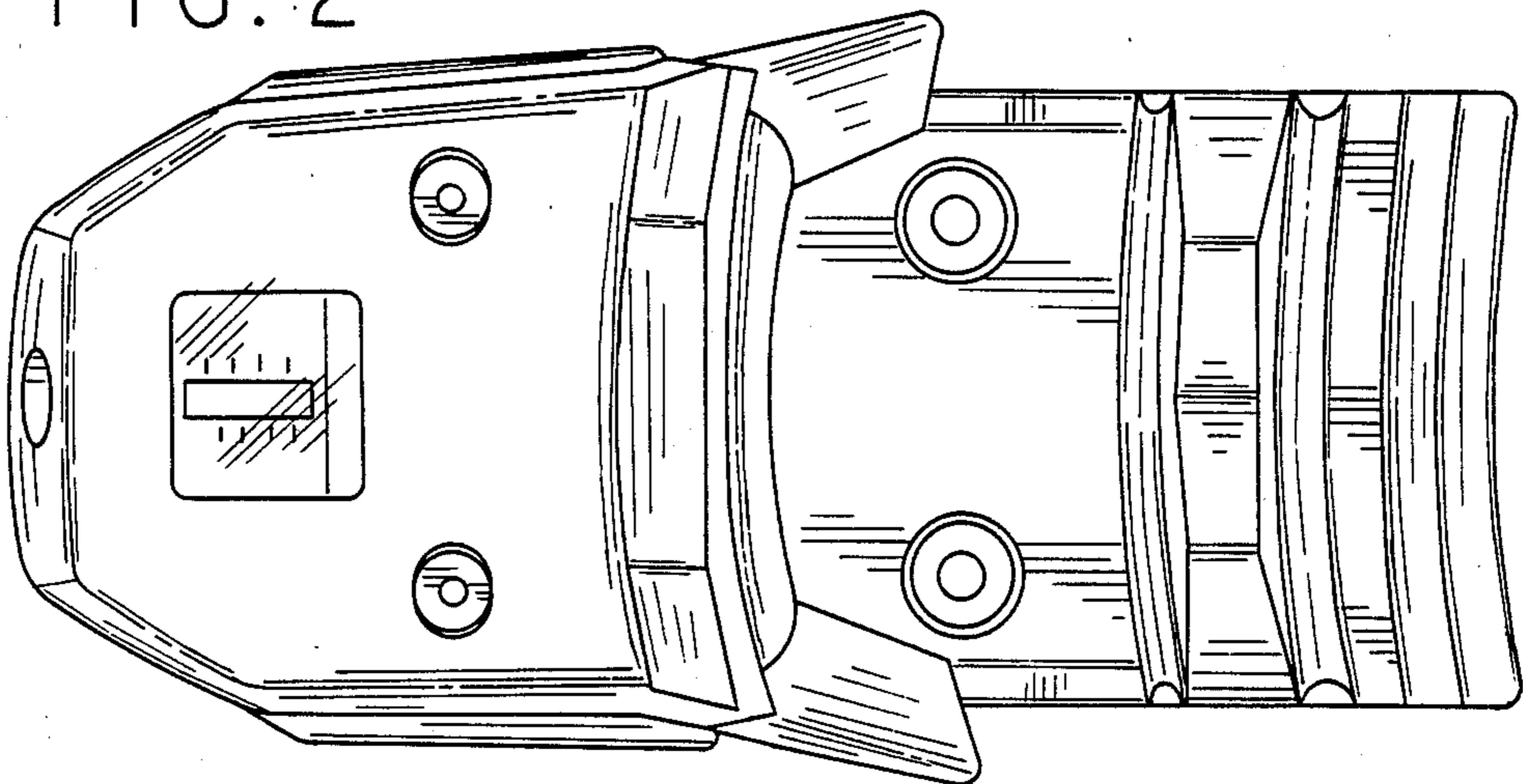
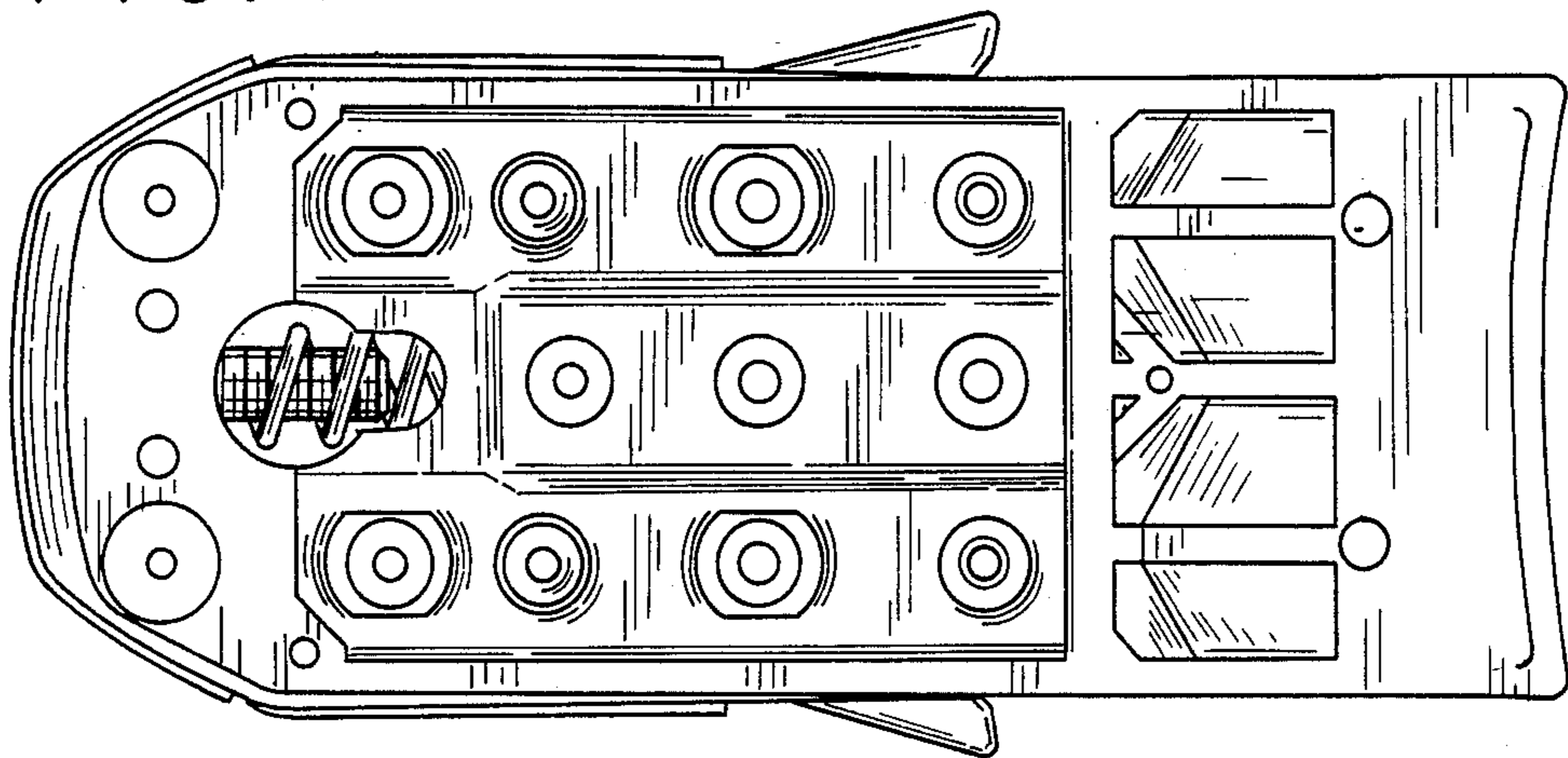


FIG. 3



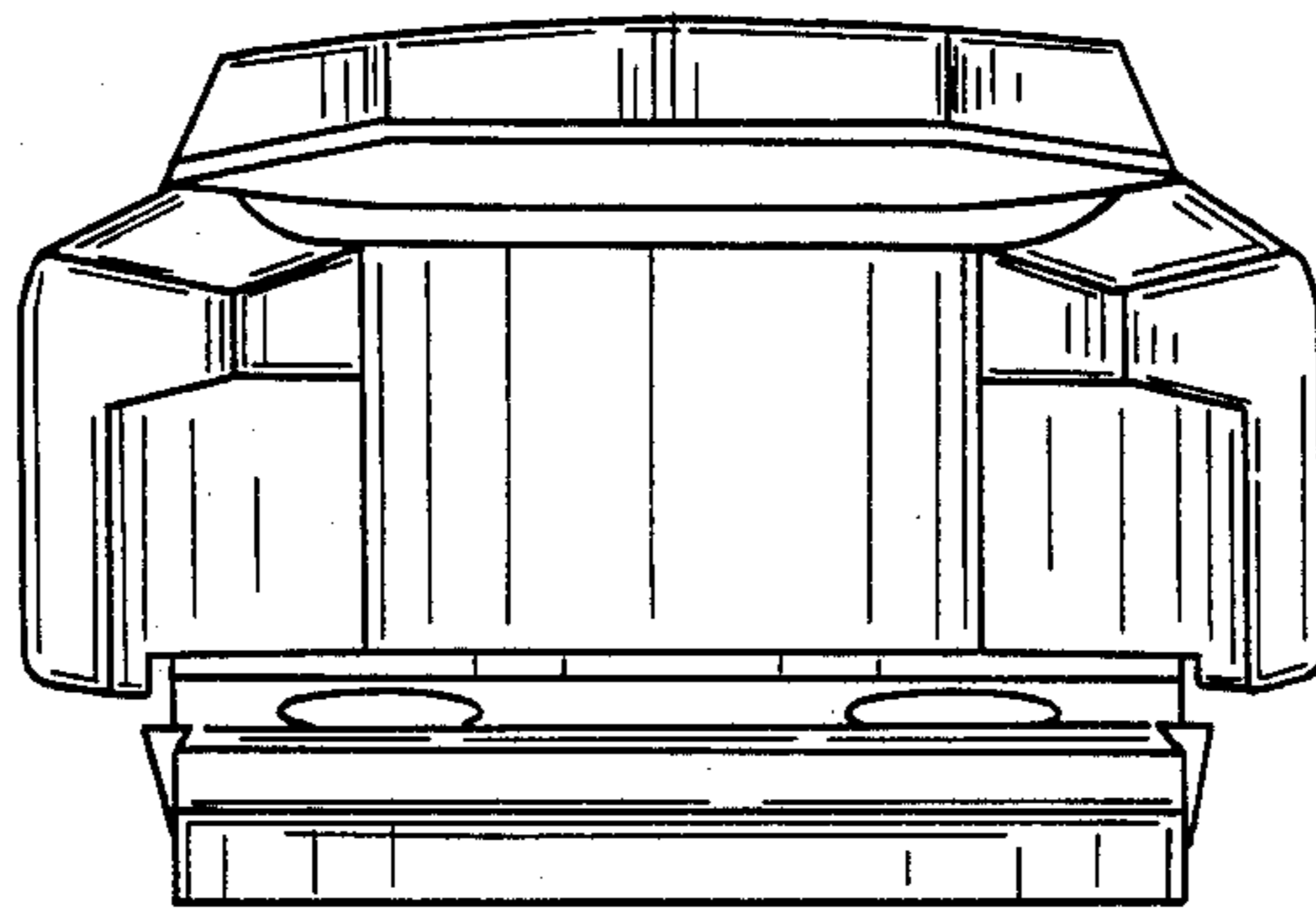


FIG. 4

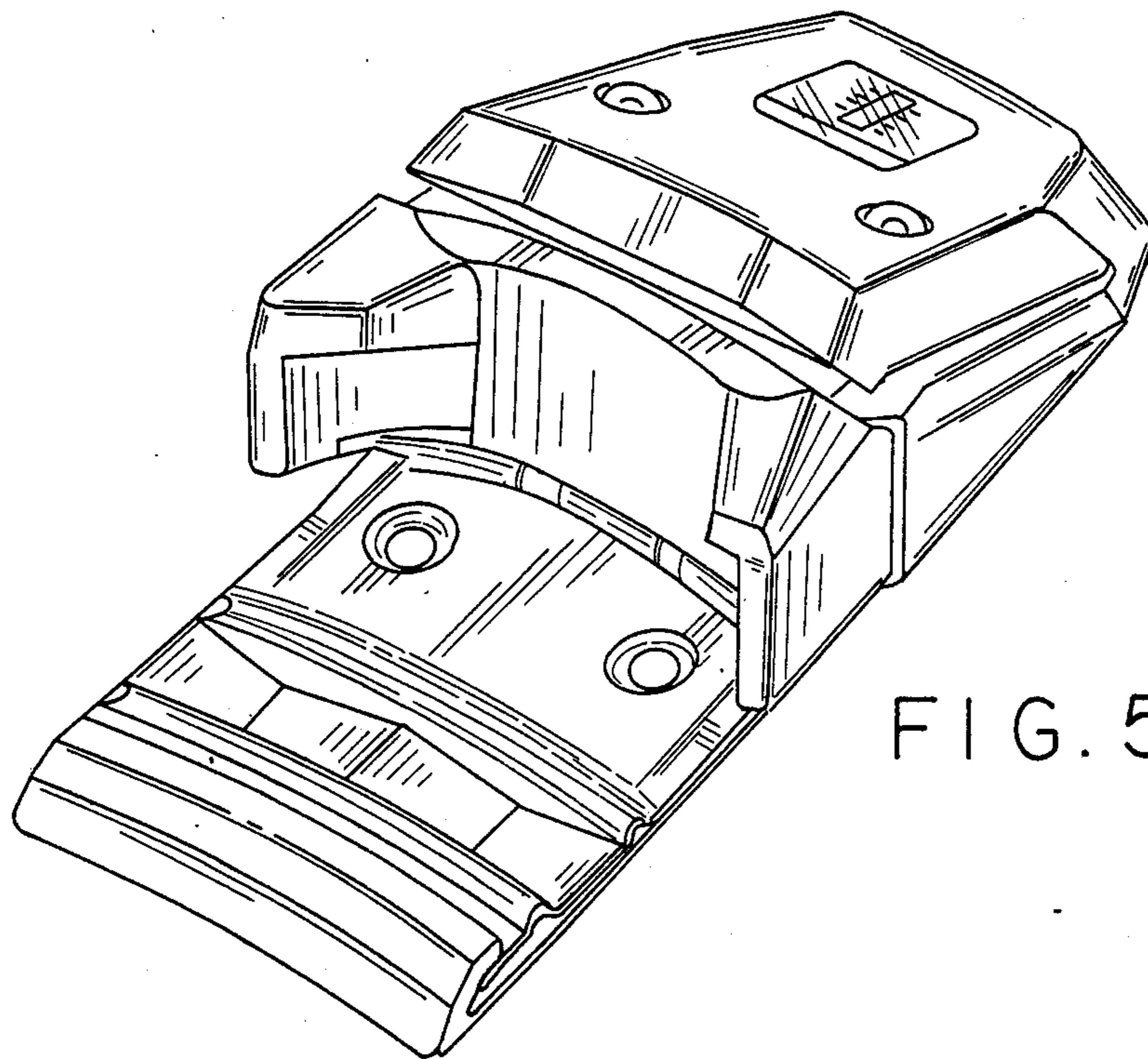


FIG. 5