

United States Patent [19]

Taminich

[11] Patent Number: **Des. 299,733**

[45] Date of Patent: **** Feb. 7, 1989**

[54] **SKATEBOARD WHEEL OR SIMILAR ARTICLE**

[76] Inventor: **Nickolas G. Taminich**, 10040 Karmont Ave., South Gate, Calif. 90280

[**] Term: **14 Years**

[21] Appl. No.: **92,698**

[22] Filed: **Sep. 3, 1987**

[52] U.S. Cl. **D21/226**

[58] Field of Search **D21/224, 225, 226; 280/11.23, 11.27, 7.13; 301/5.3, 5.7, 513**

[56] **References Cited**

U.S. PATENT DOCUMENTS

D. 107,515 12/1937 Grange et al. **D21/226**

D. 292,729 11/1987 Ludwig **D21/226**
1,687,113 10/1928 Stockdale **301/513**
2,276,570 3/1942 Gaines **280/11.27**
4,666,169 5/1987 Hamill et al. **280/11.27**

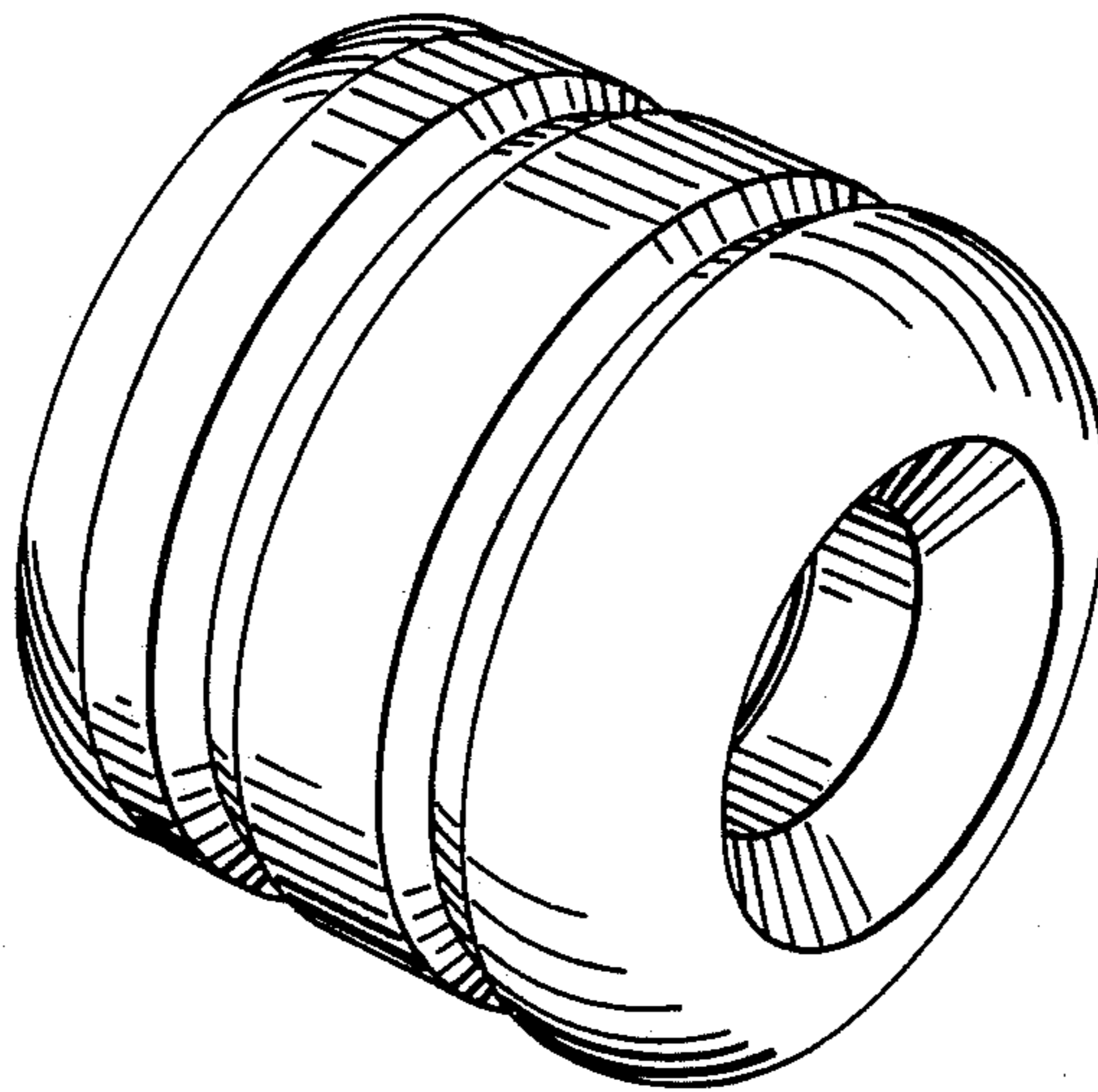
Primary Examiner—Charles A. Rademaker
Attorney, Agent, or Firm—Fulwider, Patton, Rieber, Lee & Utecht

[57] **CLAIM**

The ornamental design for a skateboard wheel or similar article, as shown and described.

DESCRIPTION

FIG. 1 is a perspective view of a skateboard wheel or similar article showing my new design;
FIG. 2 is a front elevational view thereof, the side opposite being a mirror image;
FIG. 3 is a left side elevational view thereof; and
FIG. 4 is a right side elevational view thereof.



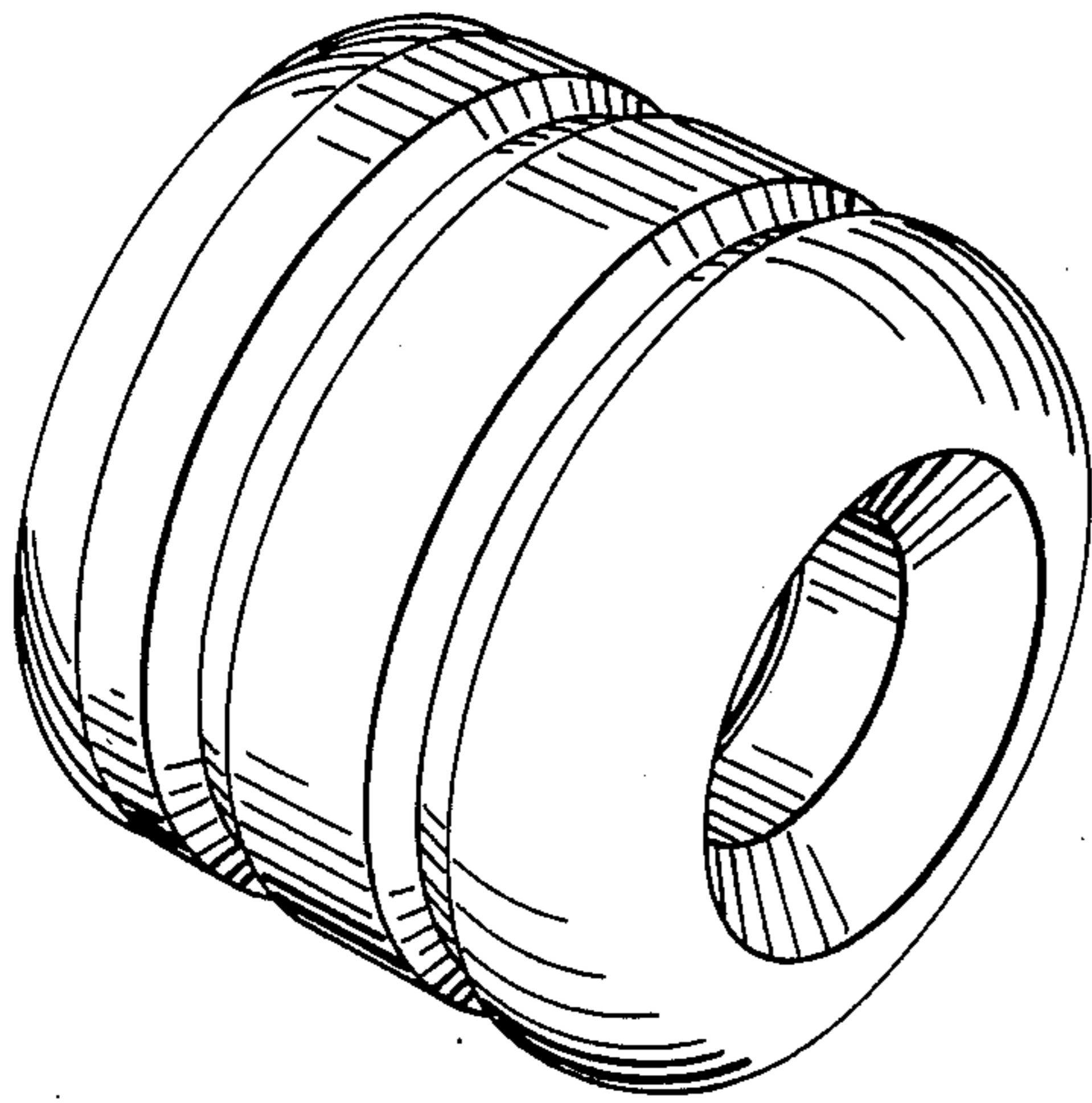


FIG. 1

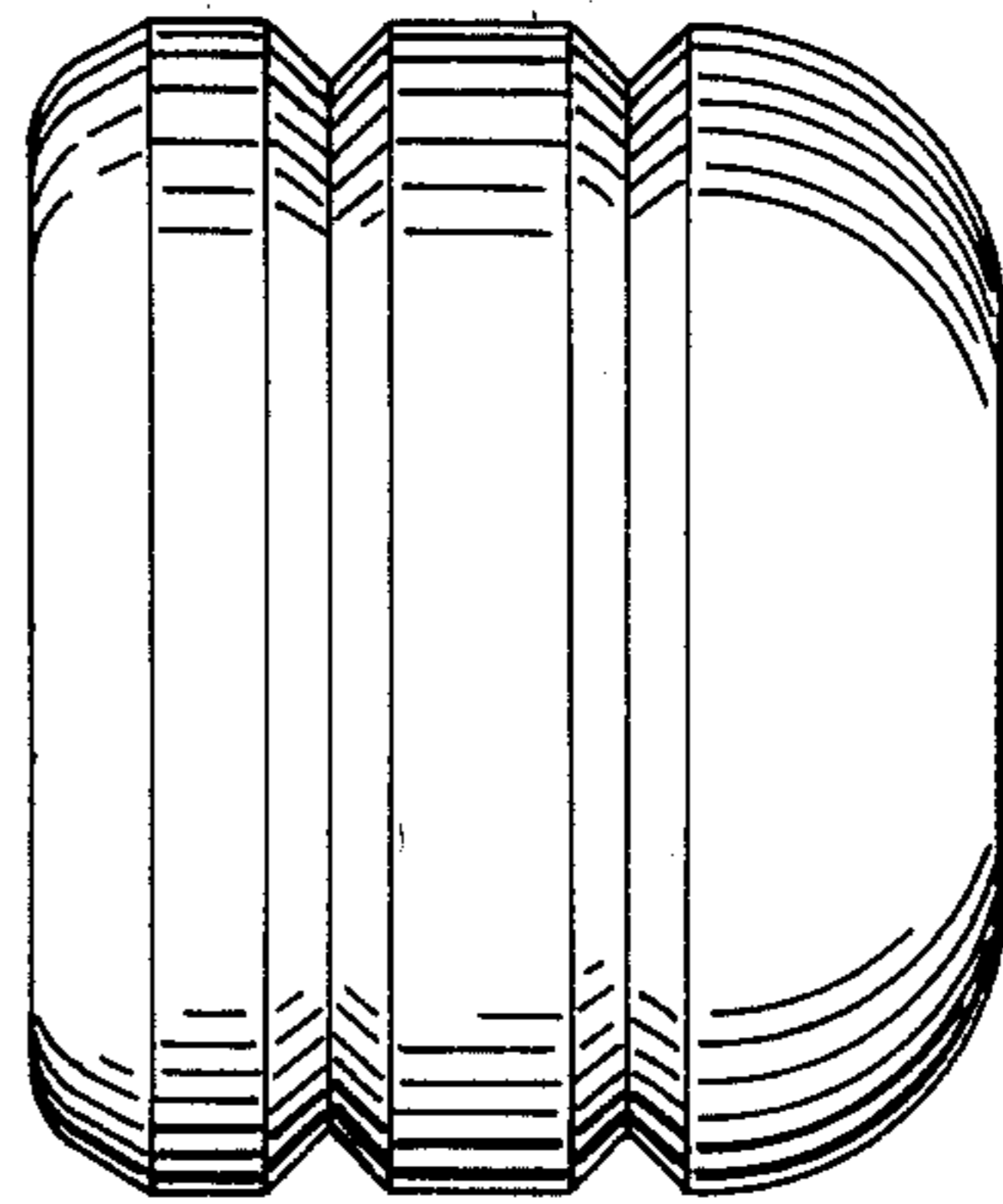


FIG. 2

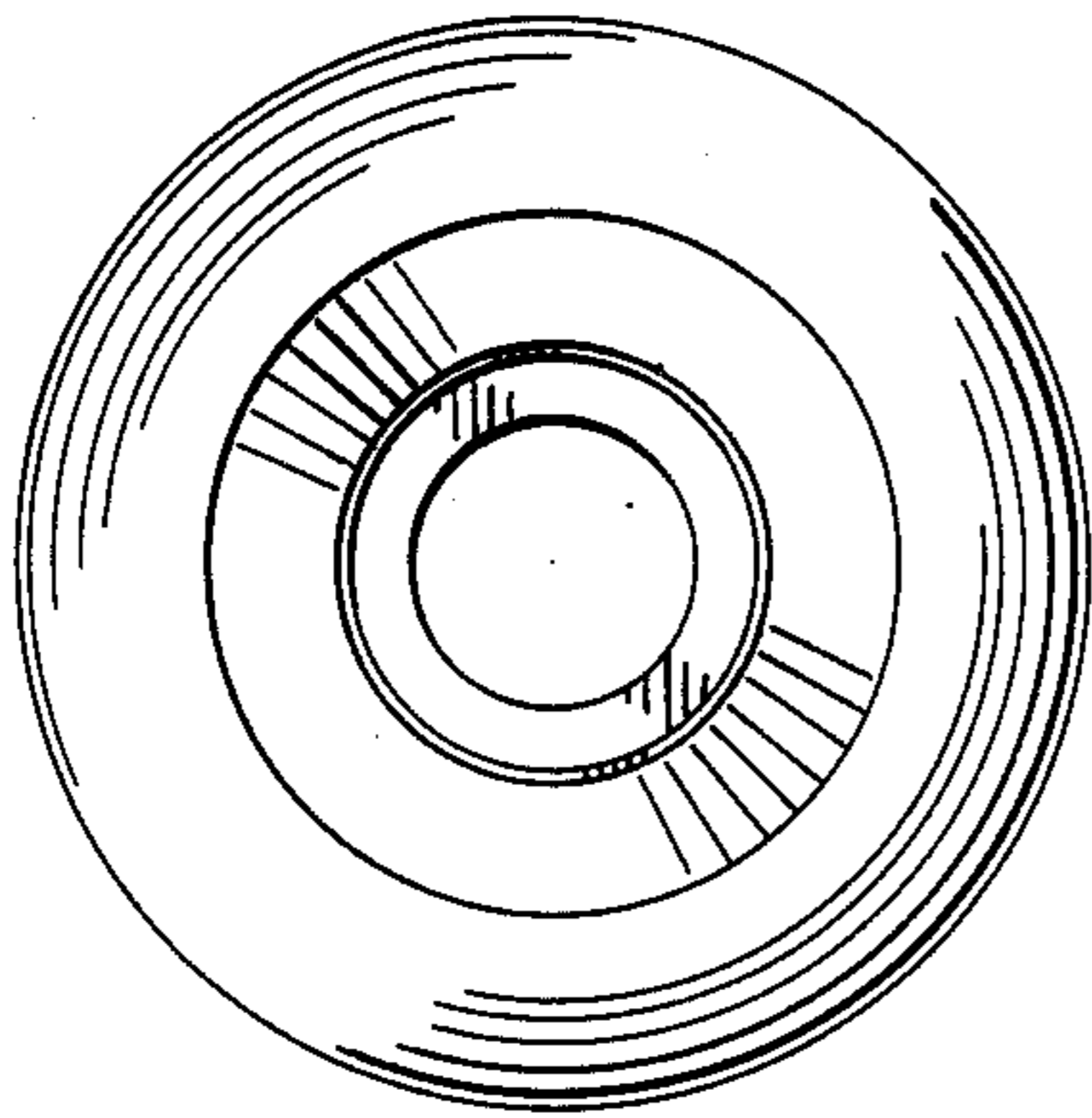


FIG. 3

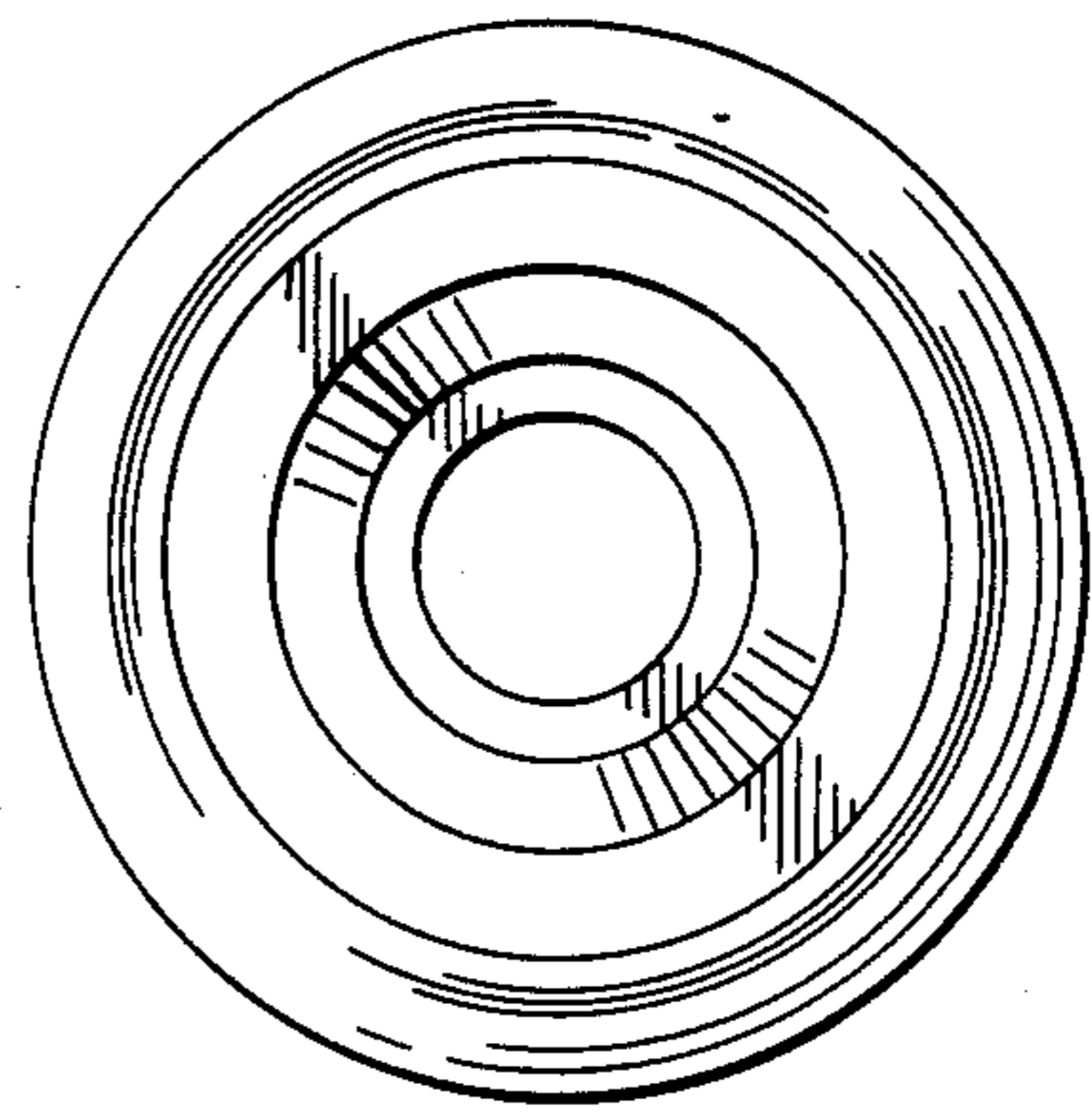


FIG. 4