

United States Patent [19]

Brandes et al.

[11] Patent Number: **Des. 299,725**

[45] Date of Patent: **** Feb. 7, 1989**

[54] **VENDING MACHINE**

[75] Inventors: **John H. Brandes, Atlanta; Paul A. Phillips, Marietta, both of Ga.**

[73] Assignee: **The Coca-Cola Company, Atlanta, Ga.**

[**] Term: **14 Years**

[21] Appl. No.: **93,514**

[22] Filed: **Aug. 5, 1987**

[52] U.S. Cl. **D20/5; D20/3; D20/4**

[58] Field of Search **D20/1, 4, 3, 5, 8; 194/350; 221/129, 131, 133; 40/584**

[56] **References Cited**

U.S. PATENT DOCUMENTS

- D. 141,097 5/1945 Pinanski D20/1 X
- D. 287,863 1/1987 Cedrone et al. D20/4 X
- D. 290,619 6/1987 Brandes et al. D20/5

- D. 292,993 12/1987 Morgan, Jr. et al. D20/4 X
- D. 294,719 3/1988 Morgan, Jr. D20/1 X
- 554,961 2/1896 Shelton et al. .
- 1,897,072 2/1933 Parks et al. .
- 275,019 8/1984 Morgan, Jr. et al. .

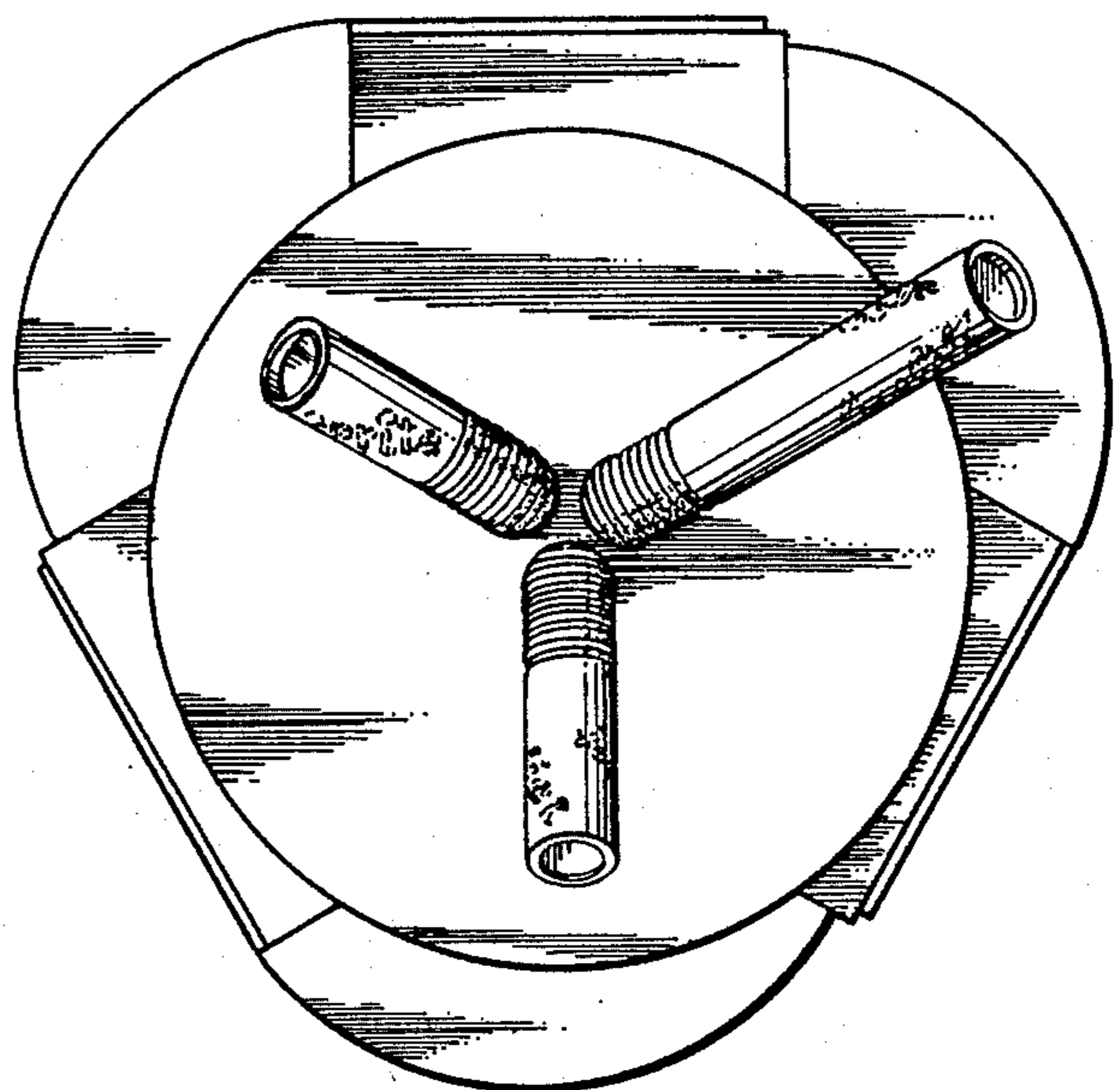
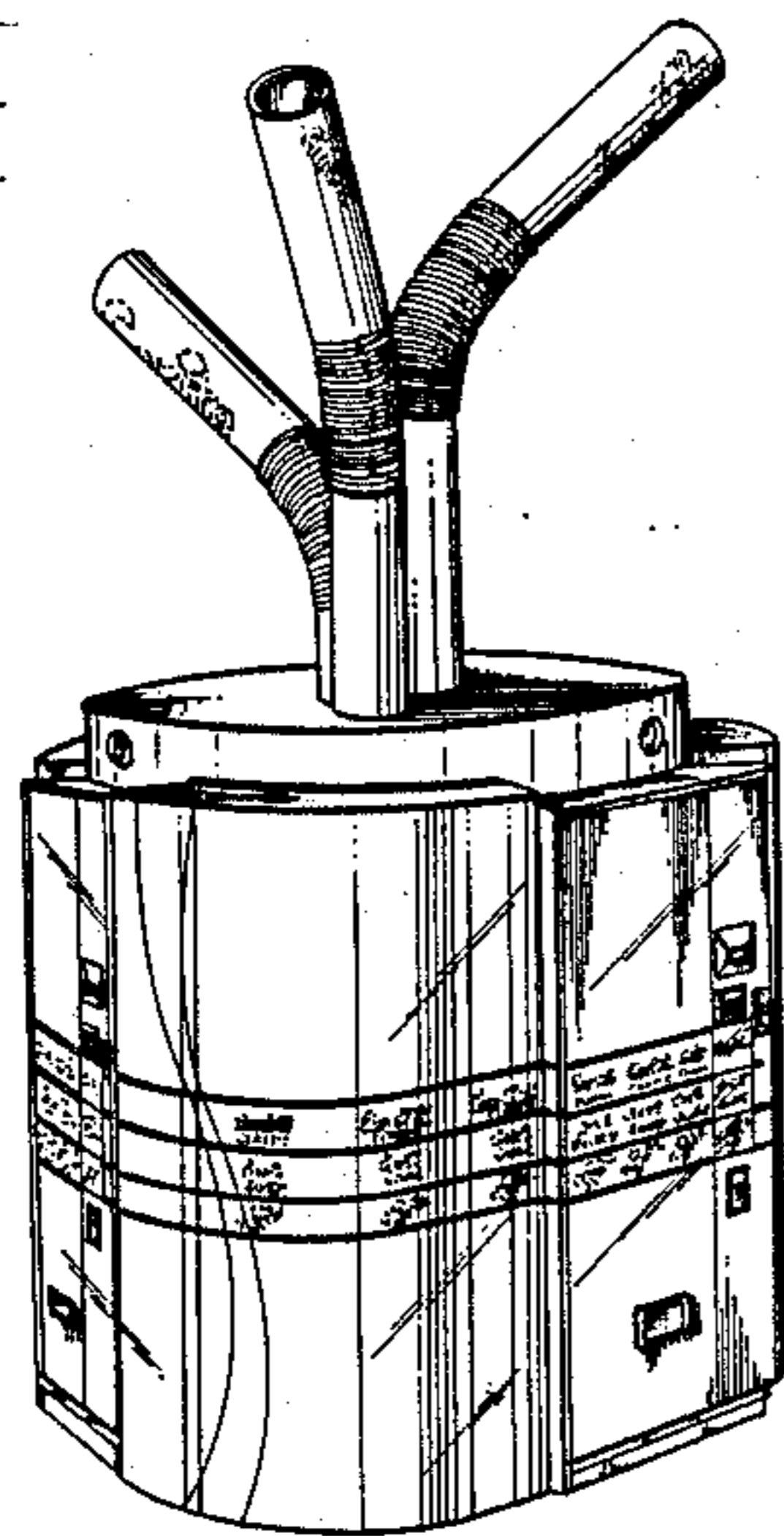
Primary Examiner—Bernard Ansher
Assistant Examiner—Theodore M. Shooman
Attorney, Agent, or Firm—Birch, Stewart, Kolasch & Birch

[57] **CLAIM**

The ornamental design for a vending machine, as shown and described.

DESCRIPTION

FIG. 1 is a top and right front perspective view of a vending machine showing our new design; FIG. 2 is a right-side elevational view thereof; FIG. 3 is a left-side elevational view thereof; FIG. 4 is a rear elevational view thereof; FIG. 5 is a top plan view thereof; and FIG. 6 is a bottom plan view thereof.



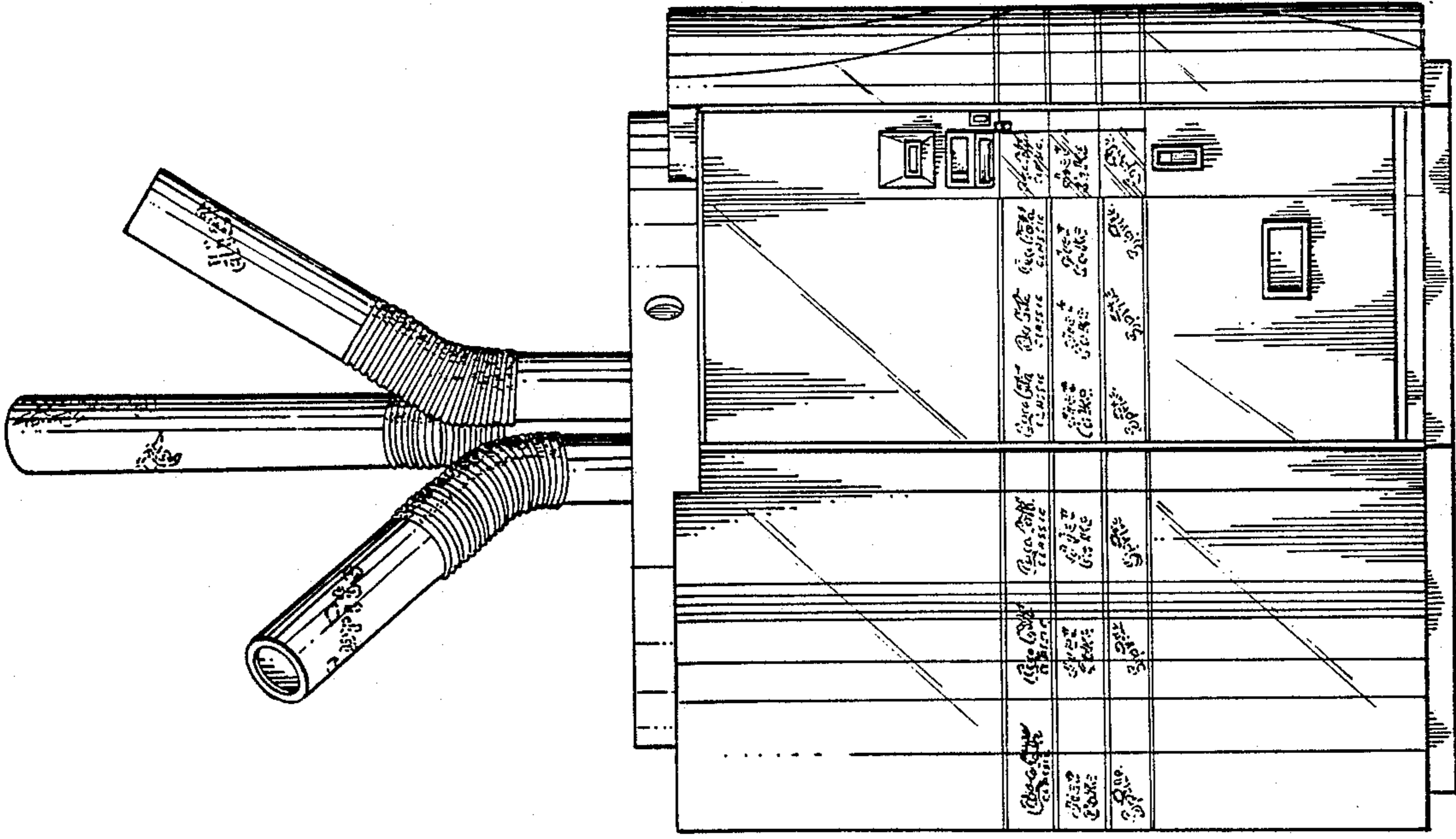


FIG. 2

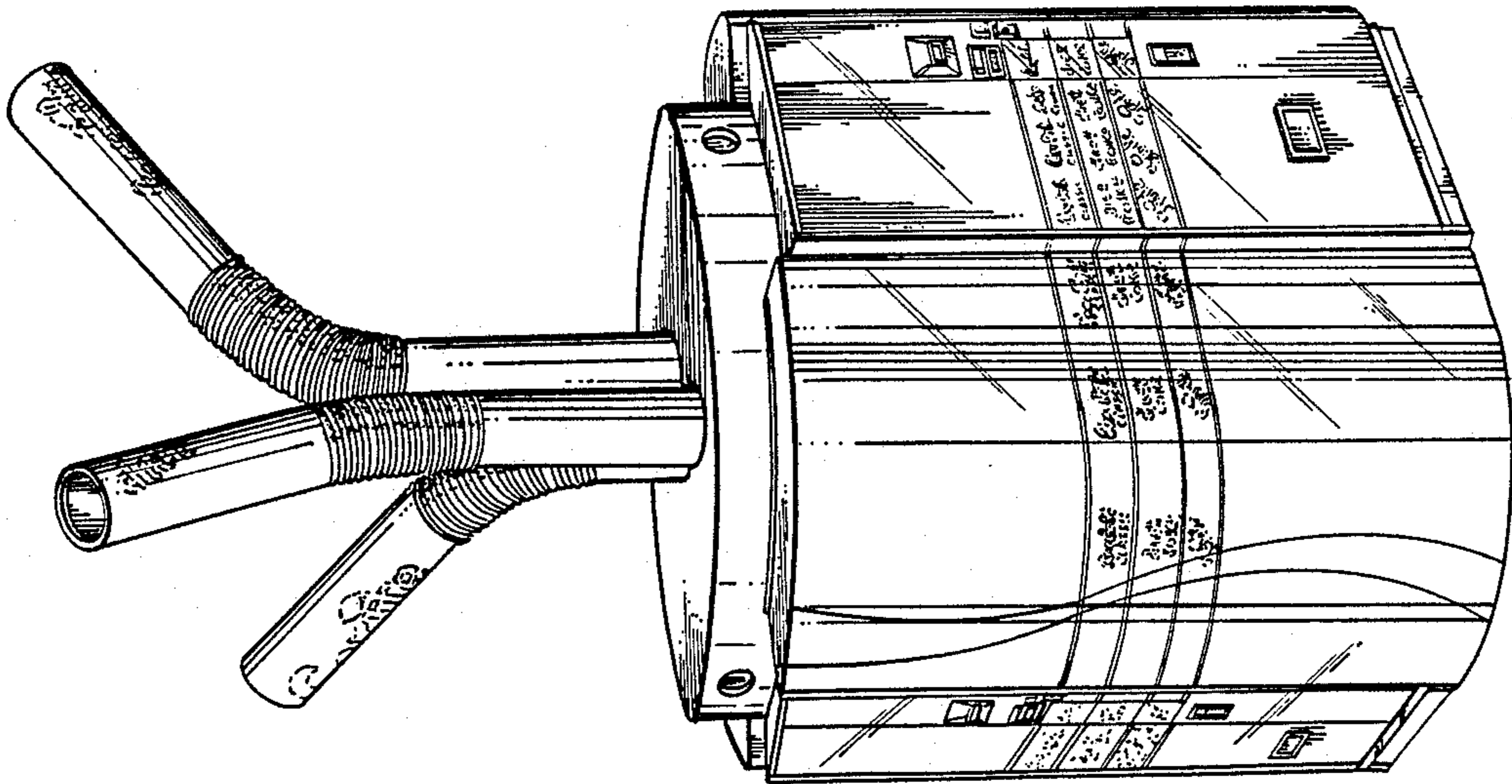


FIG. 1

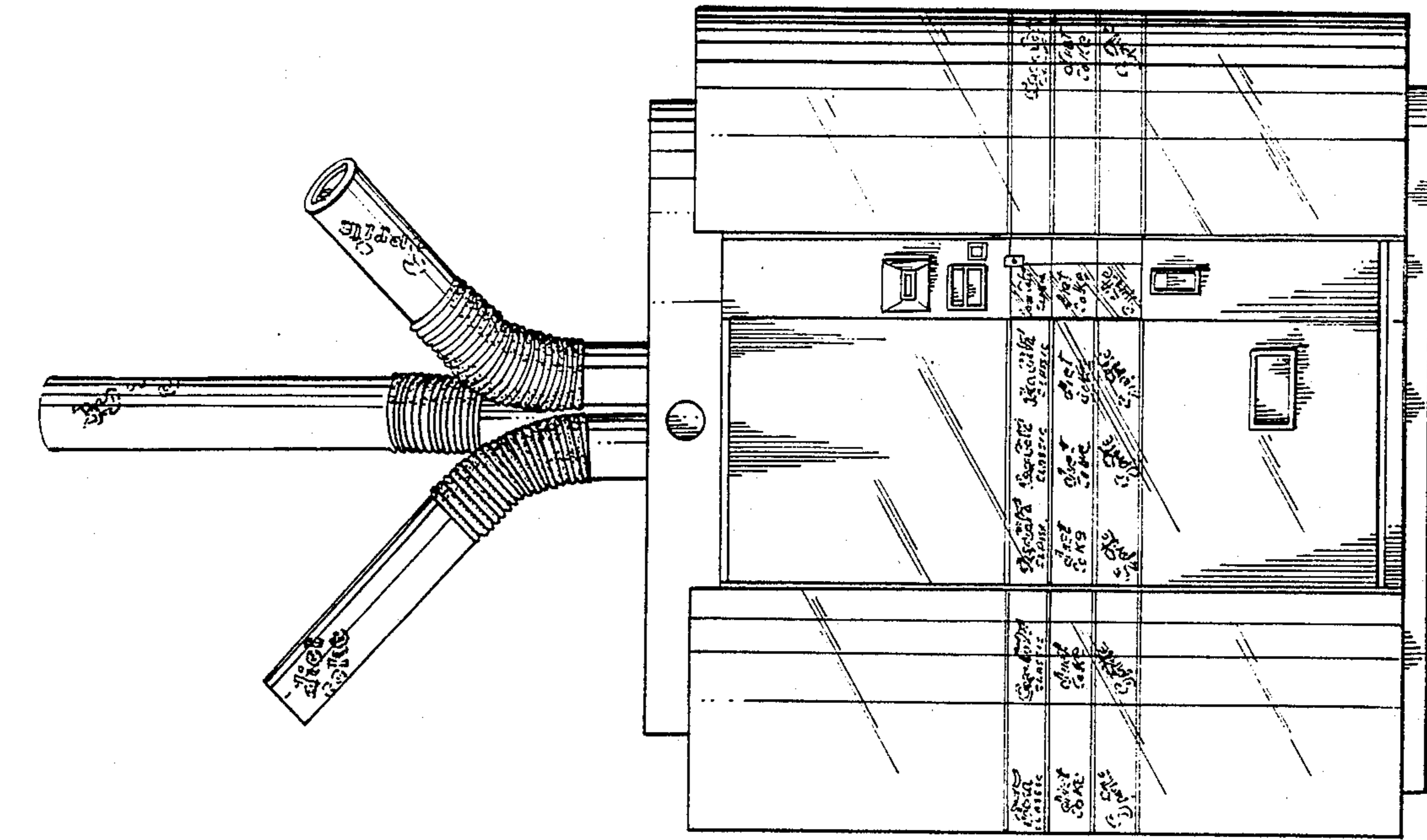


FIG. 4

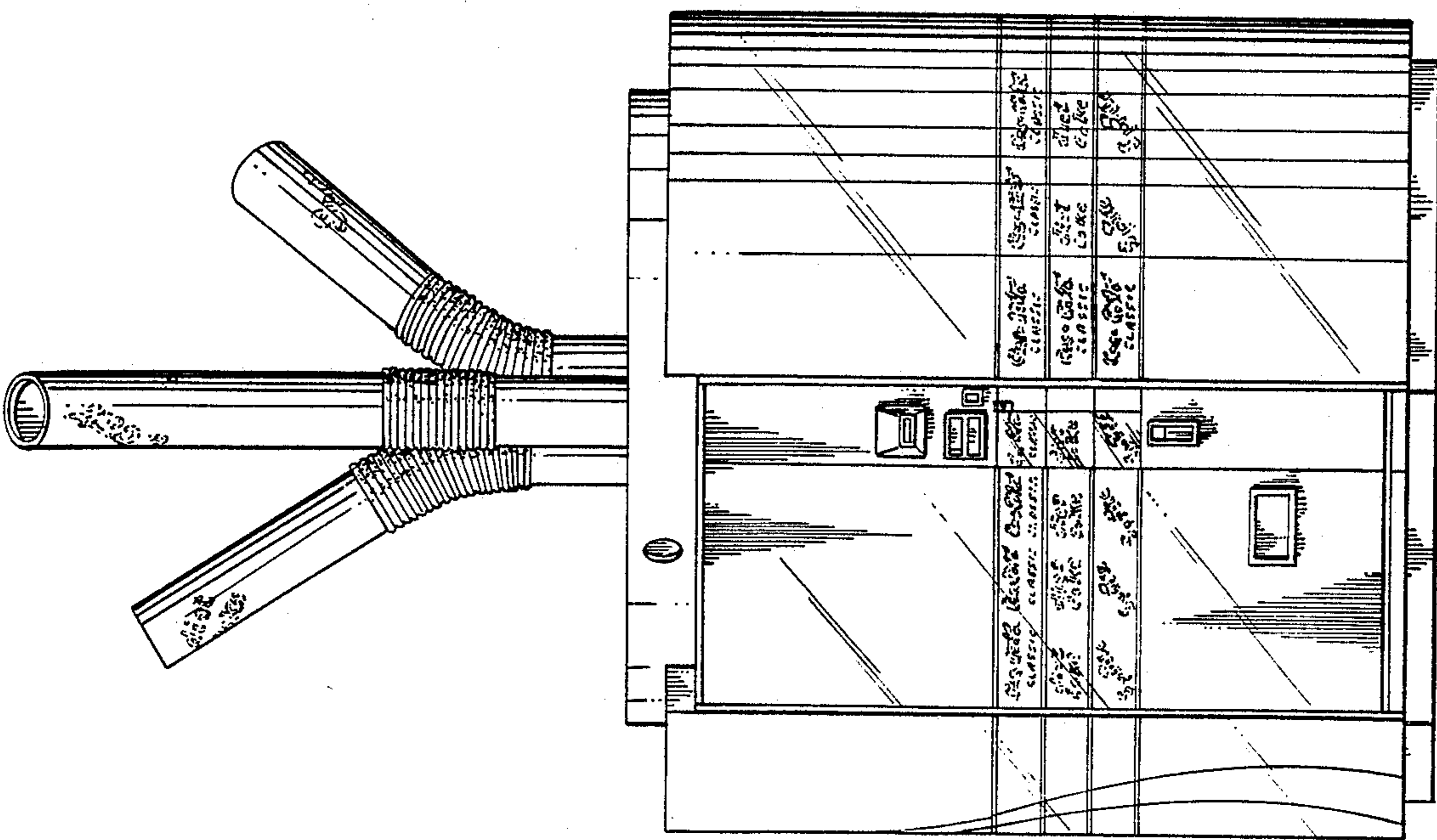


FIG. 3

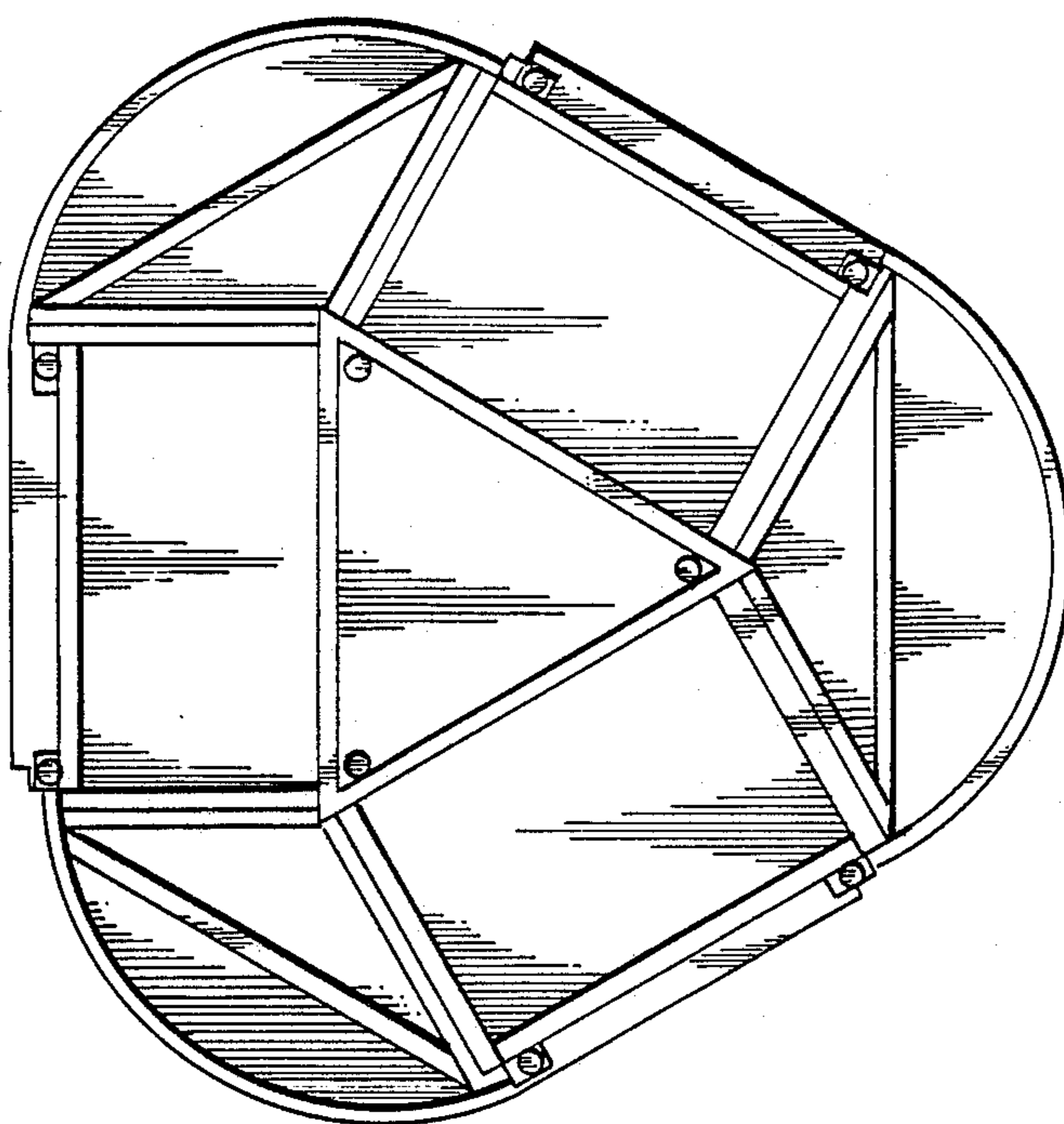


FIG. 6

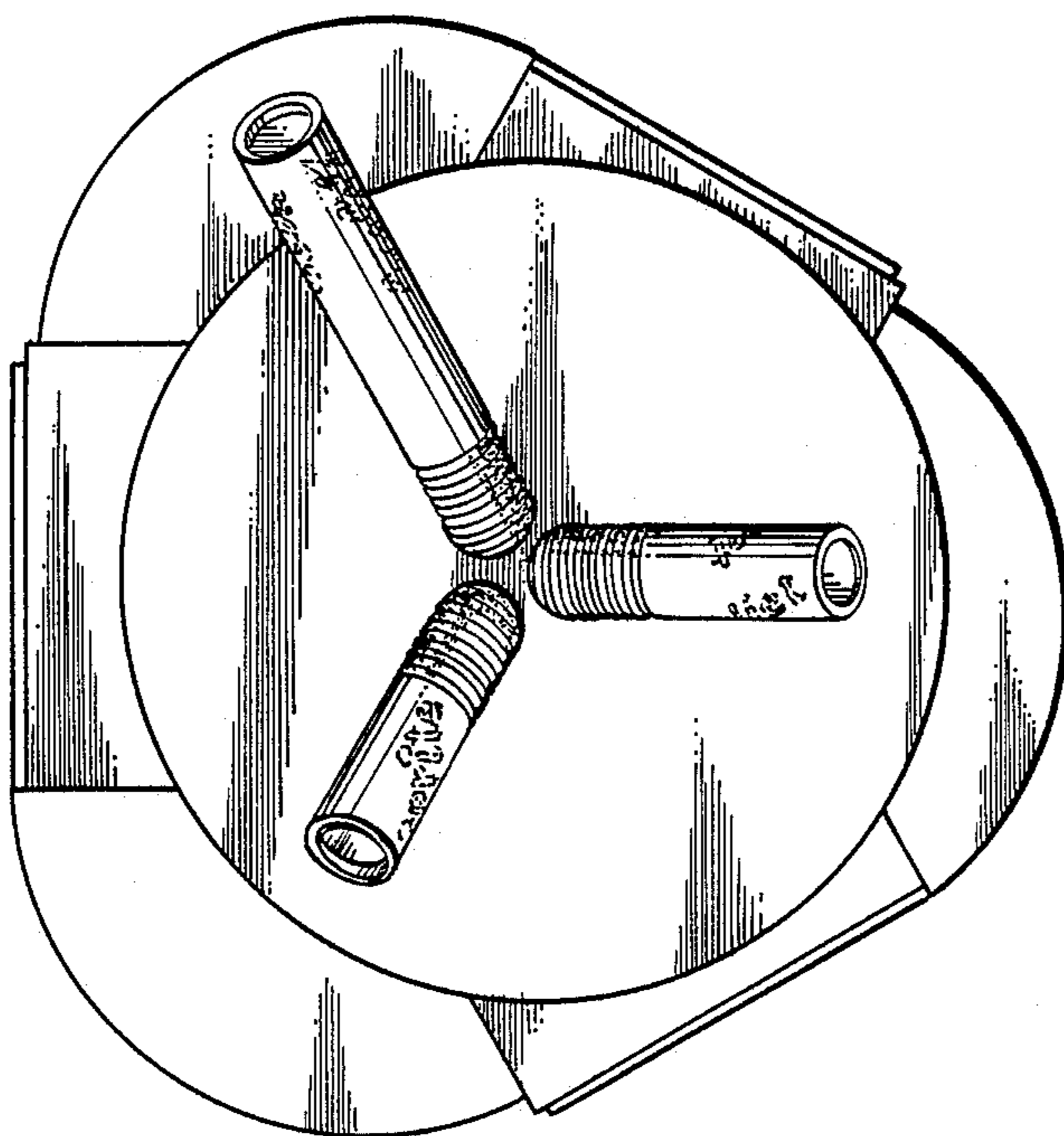


FIG. 5