

[54] CEMENT MIXER

3,084,917 4/1963 Graybill 366/48

[76] Inventor: Fred E. Mehr, PO Box 1117, Hilo, Hi. 96721

[**] Term: 14 Years

[21] Appl. No.: 785,277

[22] Filed: Oct. 7, 1985

[52] U.S. Cl. D15/19

[58] Field of Search D15/10, 19; 366/53-54, 366/62-63, 48, 45; 404/92

[56] References Cited

U.S. PATENT DOCUMENTS

D. 124,905	1/1941	Parks	D15/19
D. 185,844	8/1959	Yager	D15/19
D. 246,715	12/1977	Clement	D15/19
2,499,148	2/1950	Lichtenberg	366/62
2,558,765	7/1951	Lichtenberg	366/54

OTHER PUBLICATIONS

Distributor Sales, p. 1, "#216 Mini-Mixer".

Primary Examiner—Wallace R. Burke

Assistant Examiner—Ruth Takemoto

Attorney, Agent, or Firm—Antonelli, Terry & Wands

[57] CLAIM

The ornamental design for a cement mixer, as shown.

DESCRIPTION

FIG. 1 is a perspective view of a cement mixer showing my new design;

FIG. 2 is a top plan view thereof;

FIG. 3 is an end elevational view thereof;

FIG. 4 is a side elevational view thereof the opposite side being a mirror image; and

FIG. 5 is an end elevational view thereof, the opposite side of FIG. 3.

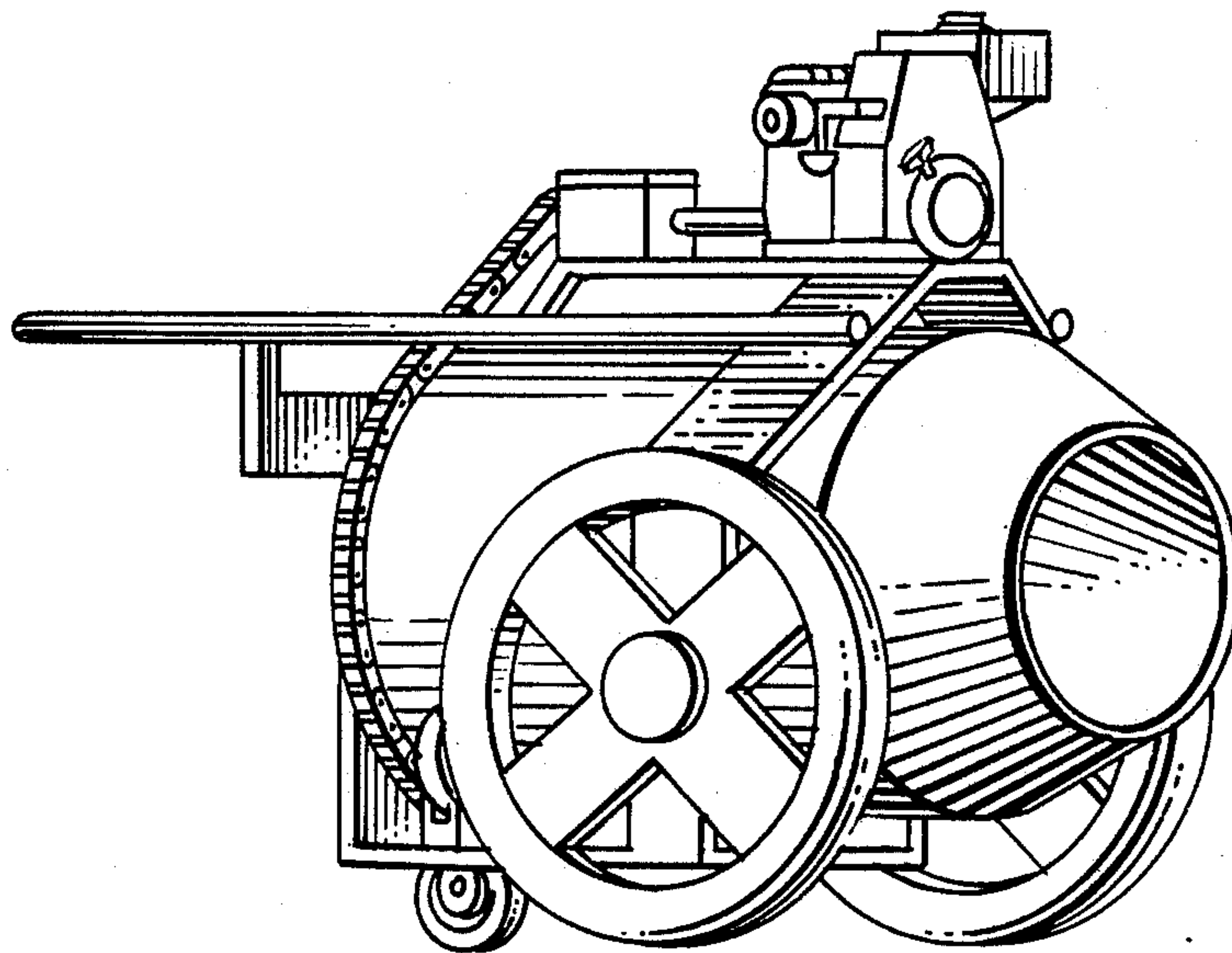


FIG. 1.

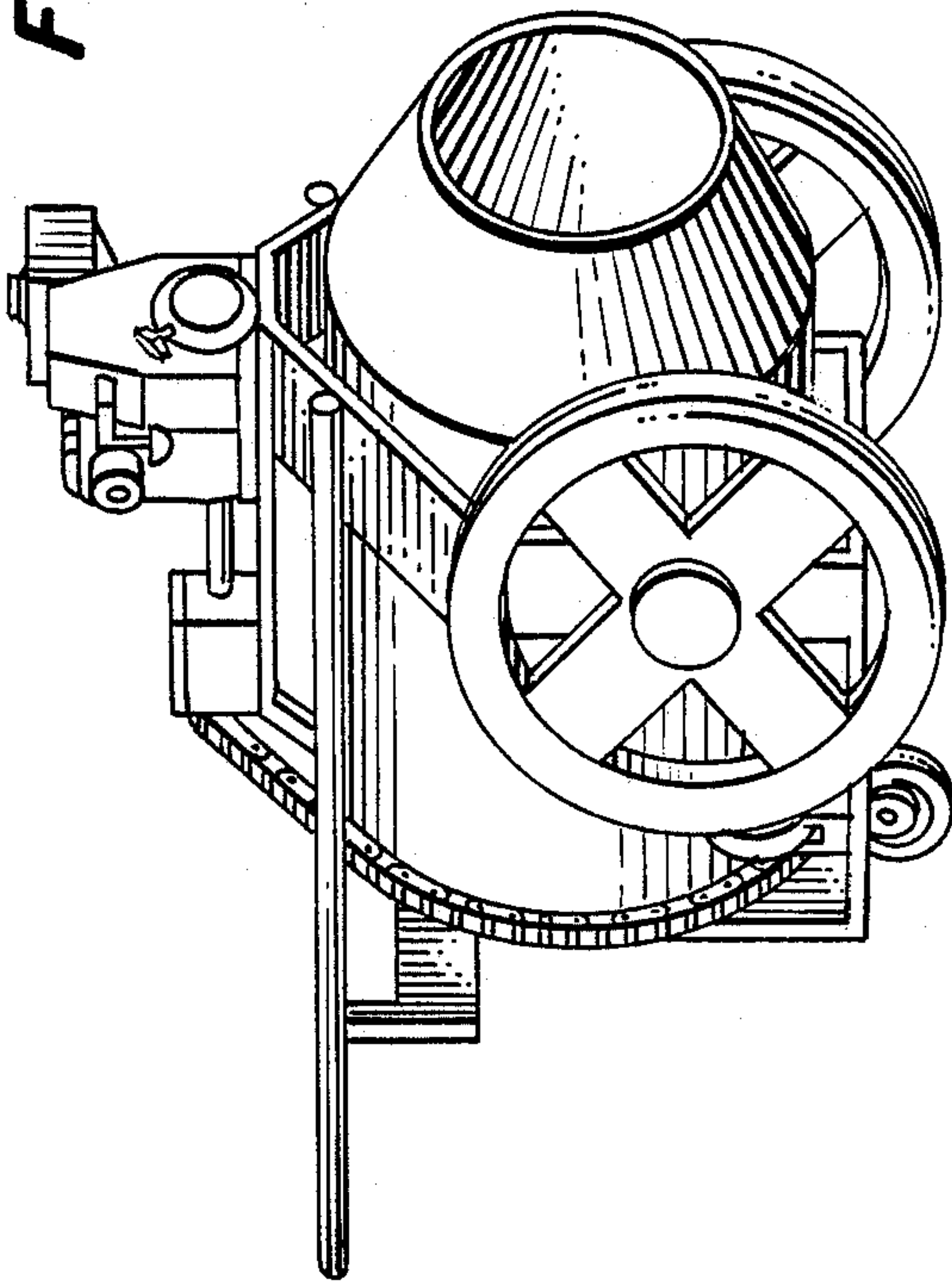


FIG. 3.

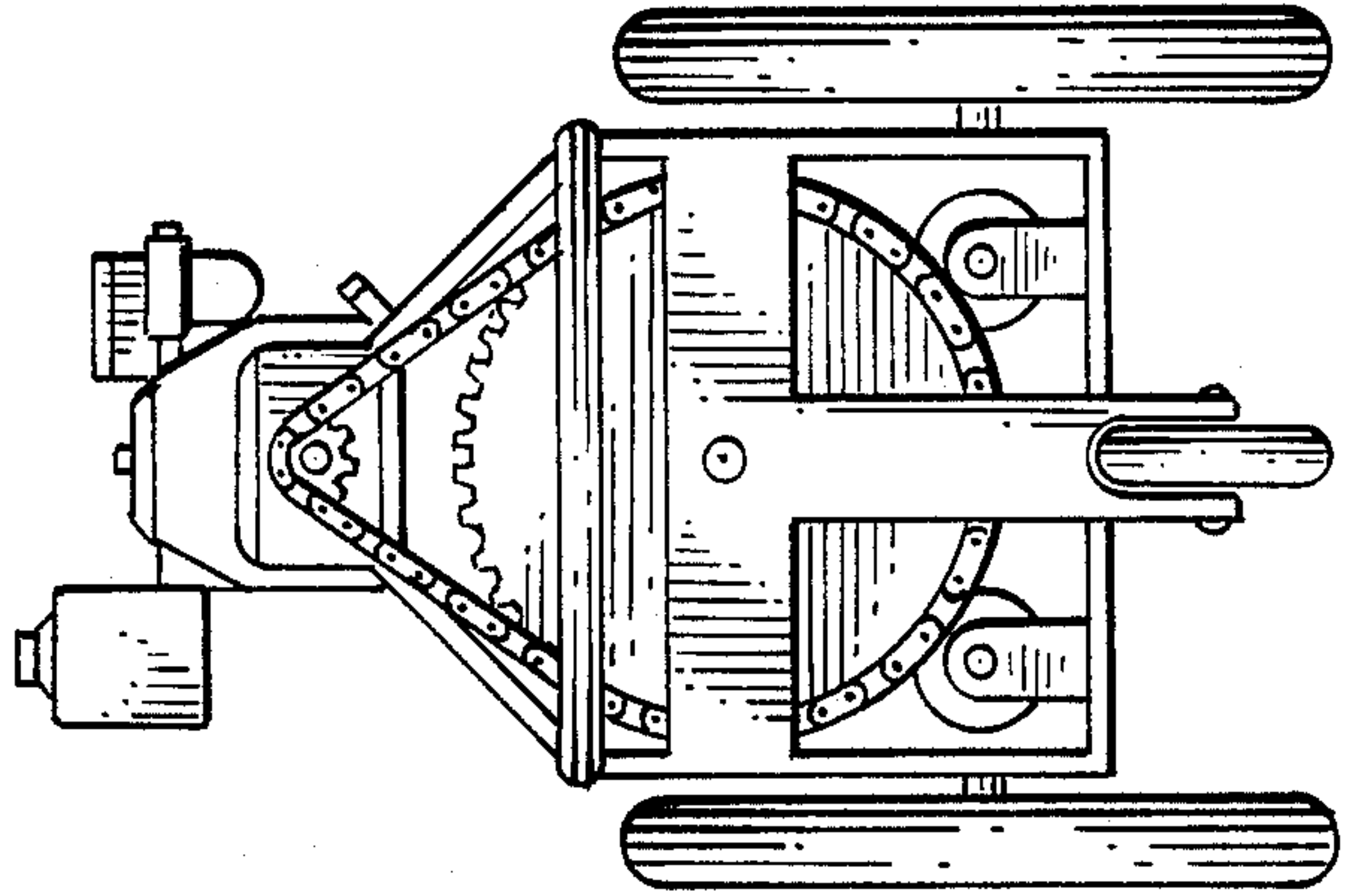


FIG. 2.

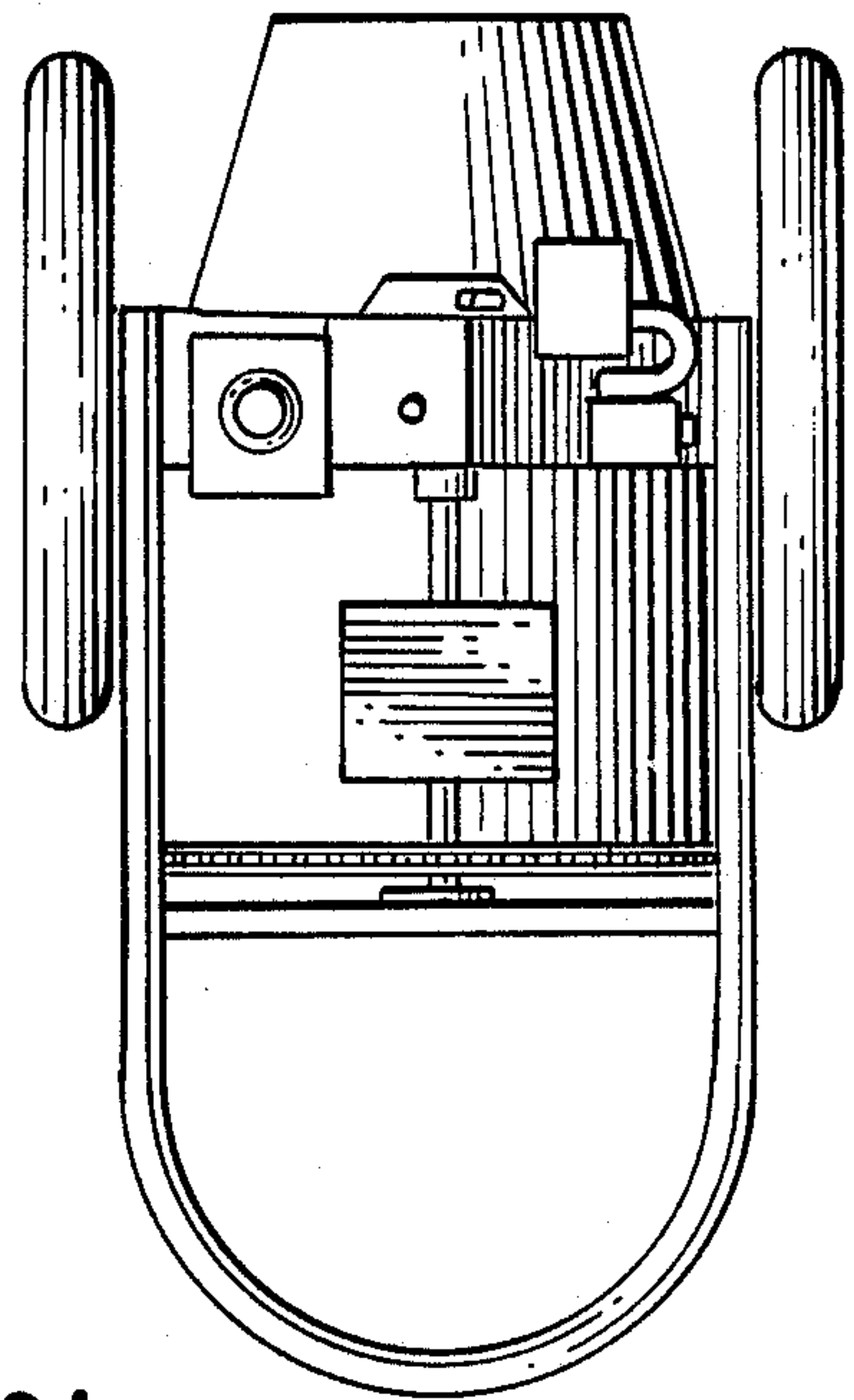


FIG. 4.

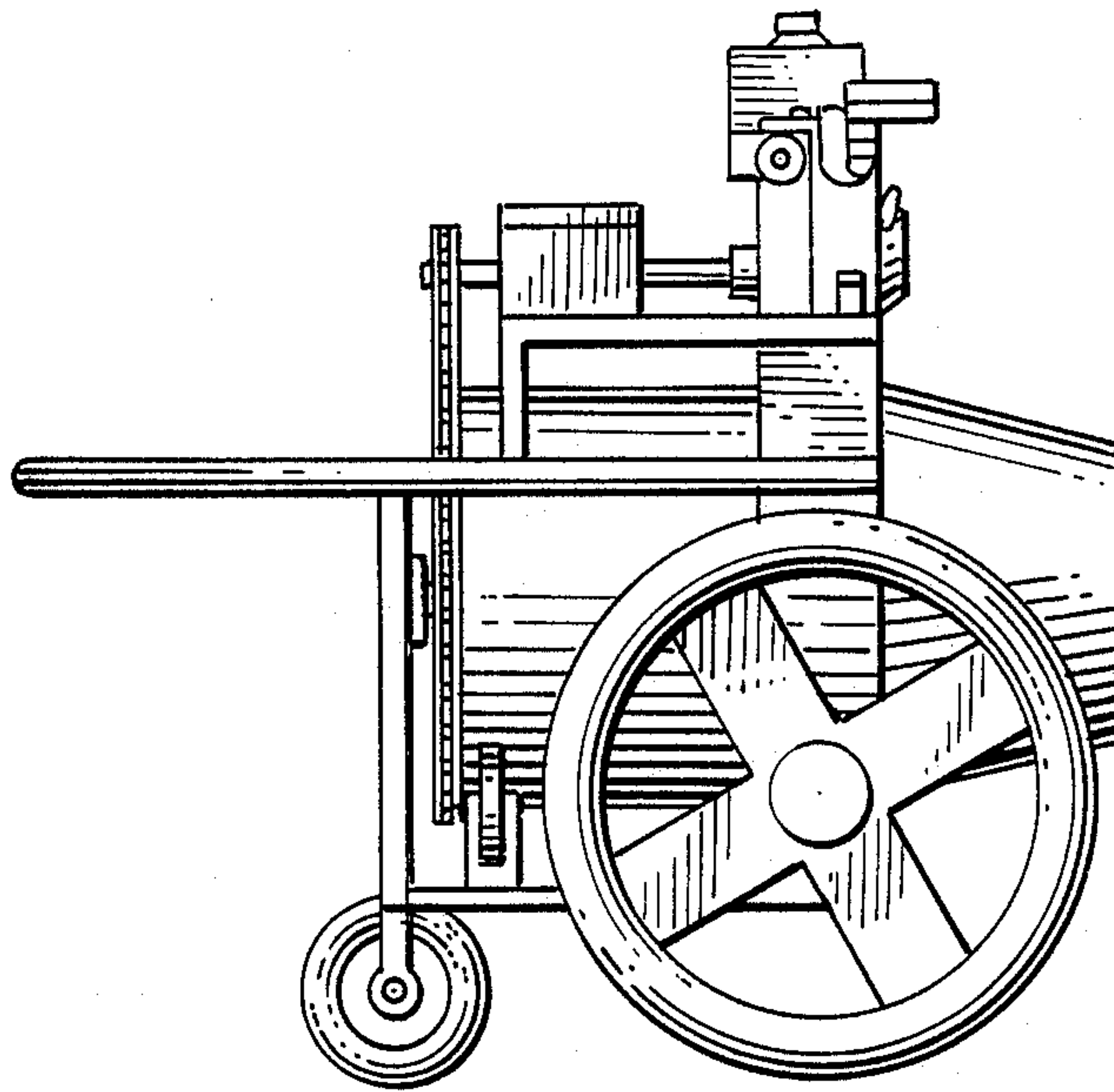


FIG. 5.

