

[54] UNITIZED HAY RAKE

4,245,458 1/1981 Smith 56/377
4,343,142 8/1982 Allen 56/377

[75] Inventors: Emmett G. Webster, New Holland, Pa.; Douglas G. Branham, Canton, Mich.; Edmund O. Howell; John K. Hale, both of New Holland, Pa.

[73] Assignee: Ford New Holland, Inc., New Holland, Pa.

[**] Term: 14 Years

[21] Appl. No.: 911,685

[22] Filed: Sep. 24, 1986

[52] U.S. Cl. D15/11

[58] Field of Search D15/10-13, D15/27-29, 33; 172/19-20, 282, 287, 314, 445.1, 695-696, 527, 540, 545, 557, 579, 671, 676, 643, 689; 56/13.6, 192, 249, 366, 371, 376-377, 396, 400

[56] References Cited

U.S. PATENT DOCUMENTS

3,077,722 2/1963 Sadler et al. 56/377
3,568,423 3/1971 Hale et al. 56/377
4,077,189 3/1978 Hering 56/377
4,214,428 7/1980 Caraway 56/377

OTHER PUBLICATIONS

Vermeer Model R-23 Sales Brochure.
Allen Model 852 Sales Brochure.

Primary Examiner—Wallace R. Burke
Assistant Examiner—Ruth Takemoto
Attorney, Agent, or Firm—Larry W. Miller; Frank A. Seemar; Darrell F. Marquette

[57] CLAIM

The ornamental design for a unitized hay rake, as shown.

DESCRIPTION

FIG. 1 is a top plan view of a unitized hay rake showing our new design, with the rake baskets folded inwardly into a non-operative position;
FIG. 2 is a left side elevational view thereof;
FIG. 3 is a front elevational view thereof;
FIG. 4 is a rear elevational view thereof;
FIG. 5 is a top plan view thereof, with the rake baskets open in an operable position; and,
FIG. 6 is a top, front and right side perspective view thereof.

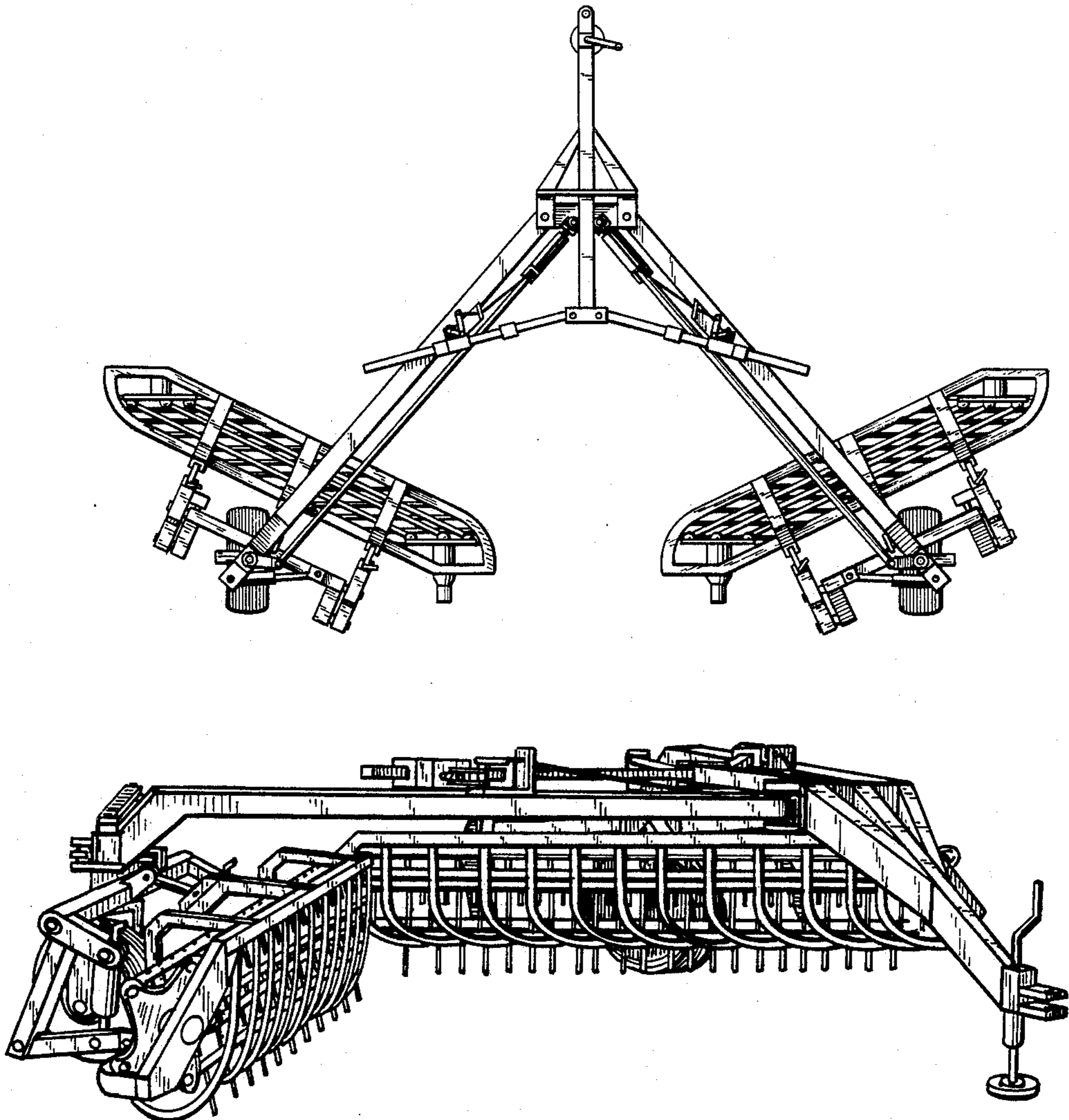


Fig. 1

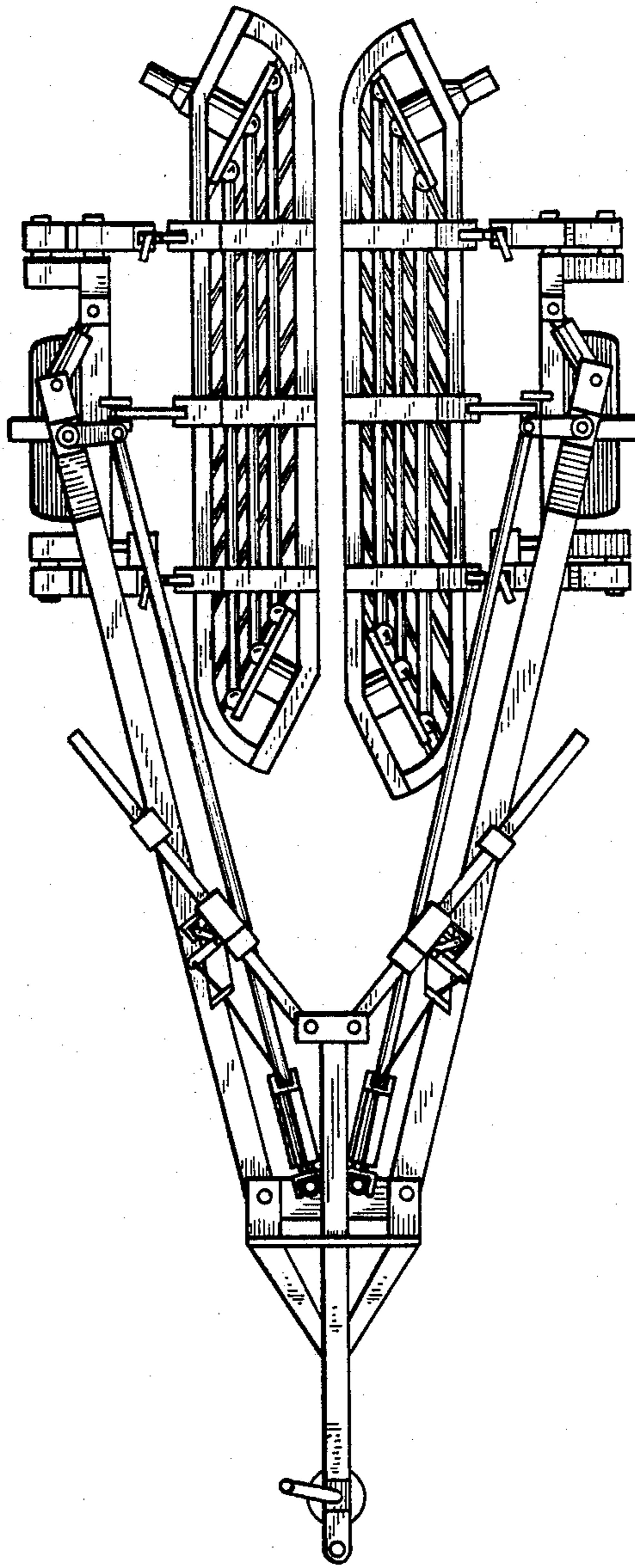


Fig. 2

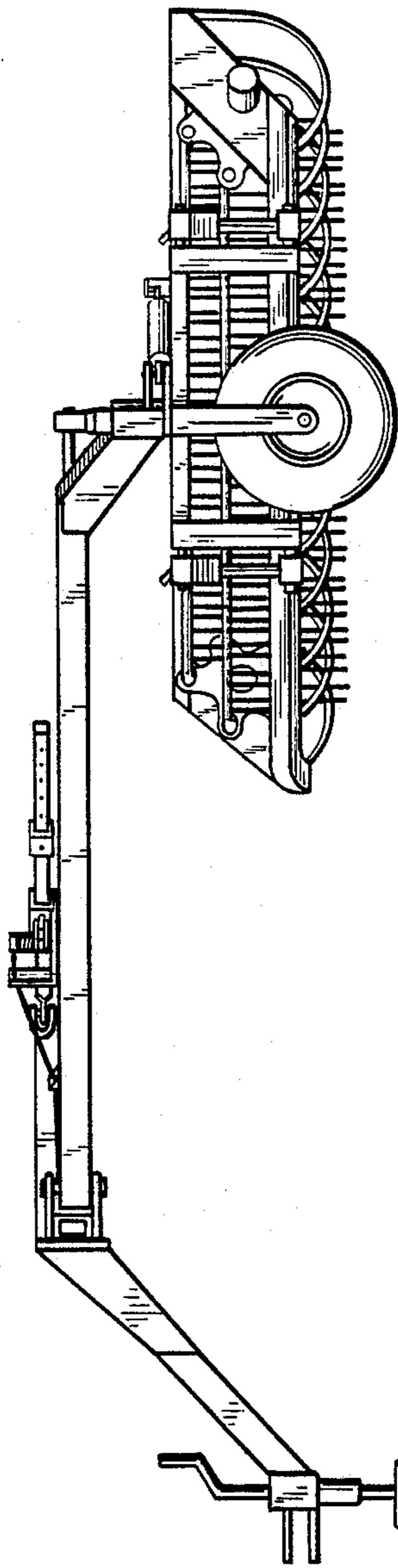


Fig. 4

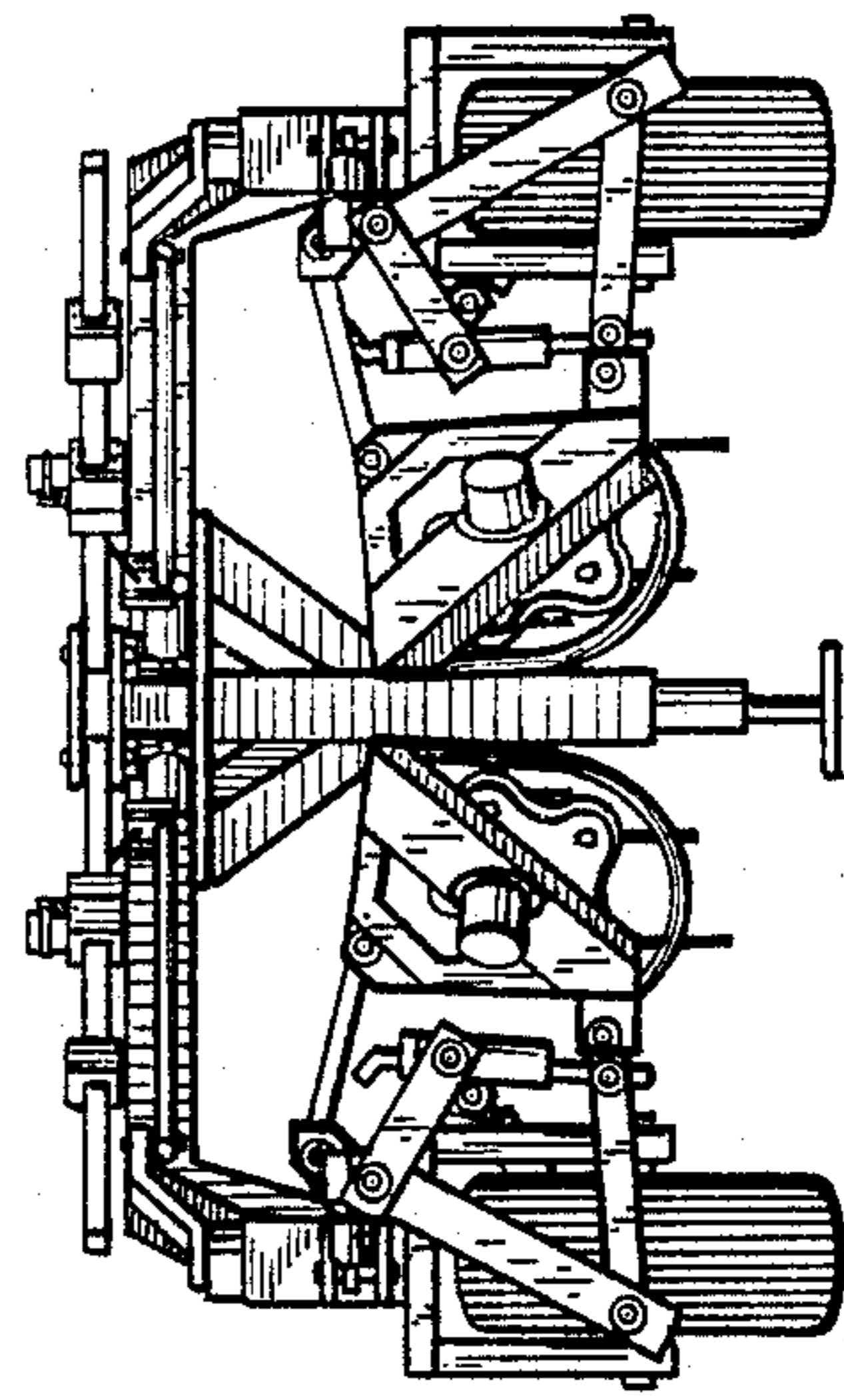


Fig. 3

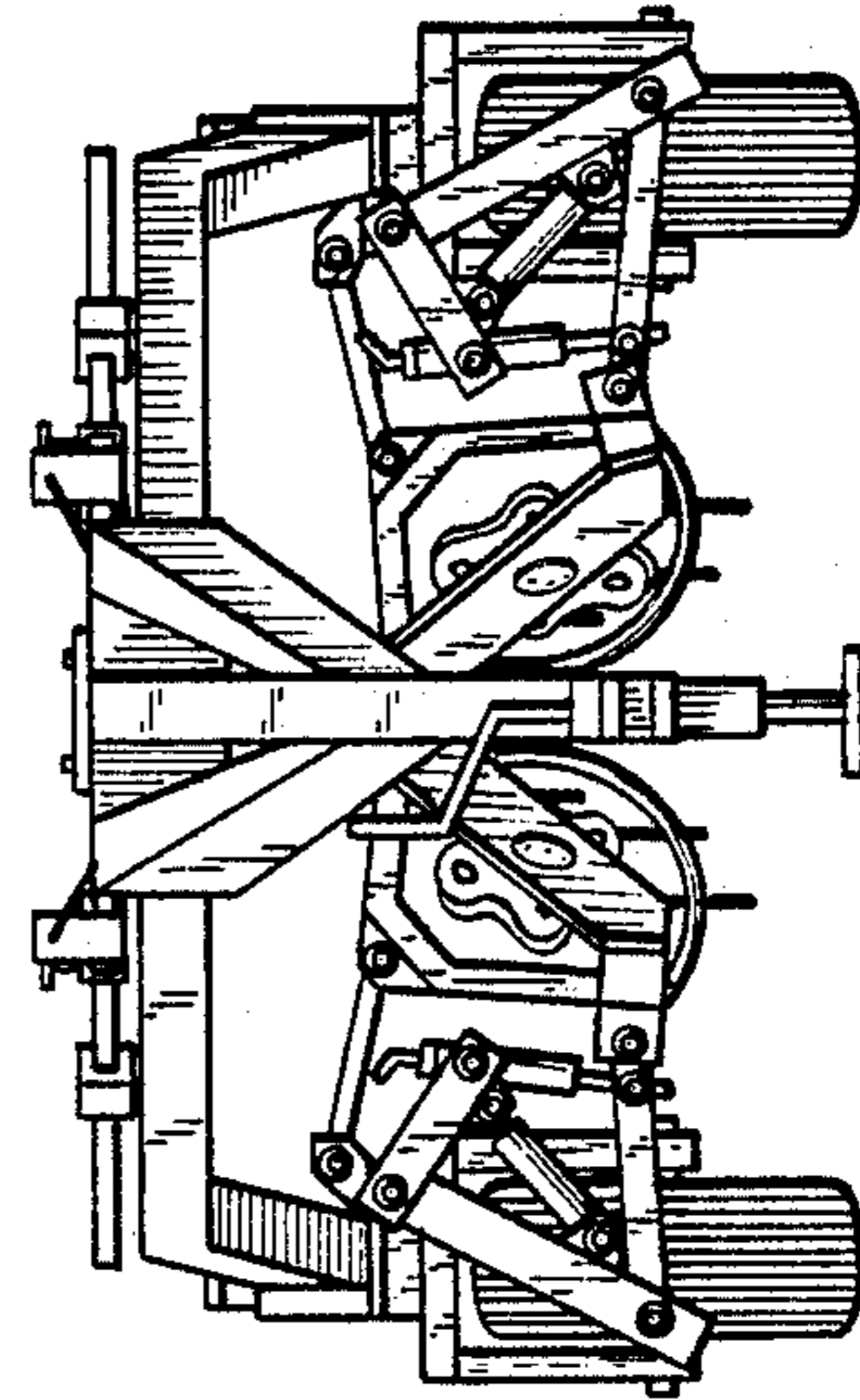


Fig. 5

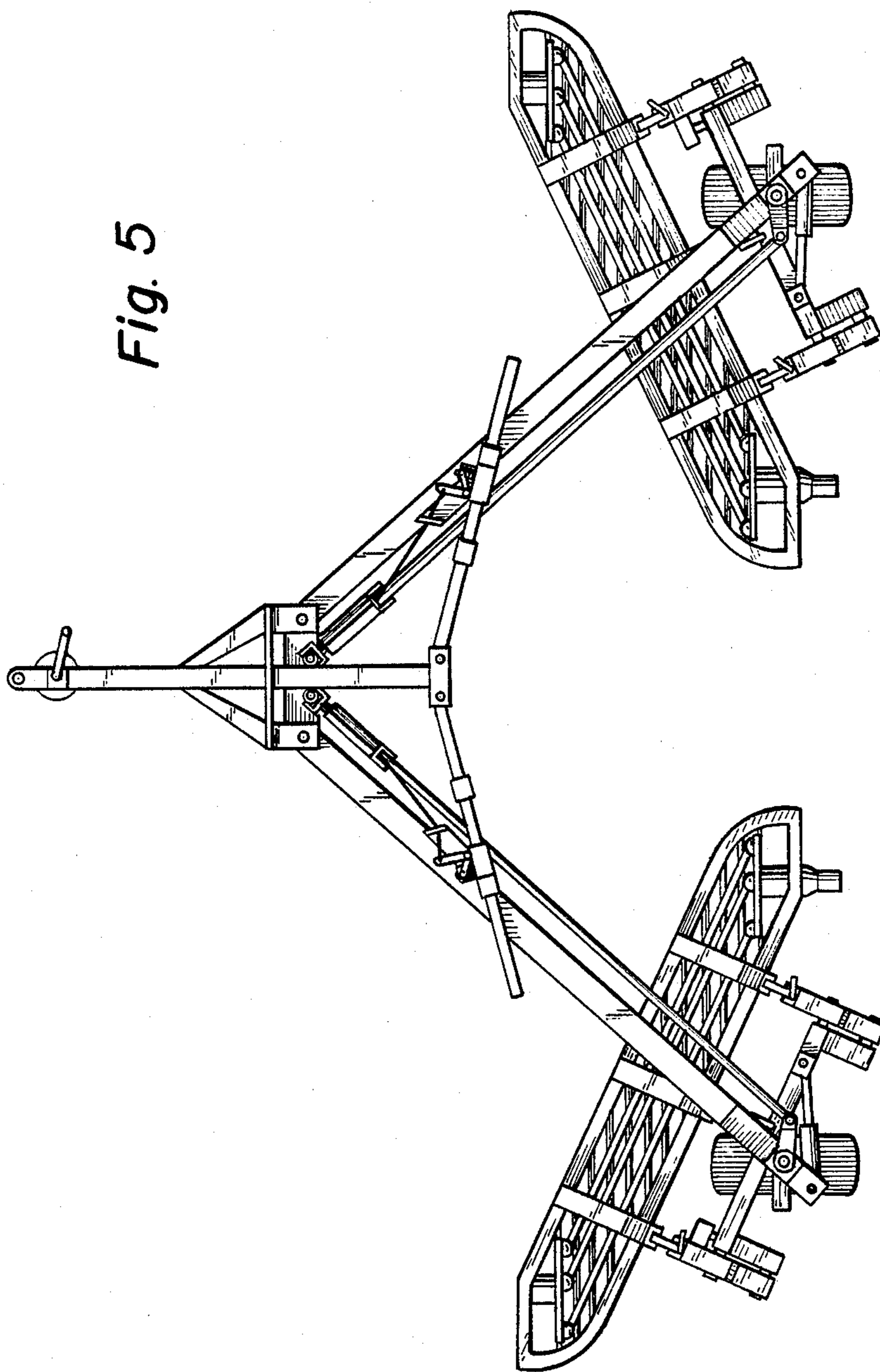


Fig. 6

