

[54] **TIRE**  
[75] **Inventor: Douglas J. Slagh, Greer, S.C.**  
[73] **Assignee: Michelin Recherche et Technique S.A., Basel, Switzerland**  
[\*\*] **Term: 14 Years**  
[21] **Appl. No.: 883,908**  
[22] **Filed: Jul. 9, 1986**  
[52] **U.S. Cl. .... D12/147**  
[58] **Field of Search ..... D12/141-143, D12/146-151; 152/209 R, 209 D, 209 B**

1017957 1/1985 United Kingdom .

**OTHER PUBLICATIONS**

1982 Tread Design Guide, p. 41, Gislaved Speed 226/70.  
1986 Tread Design Guide, p. 12, Armstrong Tru-Trac Sport Radial.  
1986 Tread Design Guide, p. 14, Aurora R 810.  
1986 Tread Design Guide, p. 14, Auto Club Sport Radial LRR.  
1986 Tread Design Guide, p. 40, BF Goodrich Radial T/A 60H, T/A 50, T/A.

*Primary Examiner*—James M. Gandy  
*Attorney, Agent, or Firm*—Brumbaugh, Graves Donohue & Raymond

[56] **References Cited**

**U.S. PATENT DOCUMENTS**

|            |         |               |       |         |
|------------|---------|---------------|-------|---------|
| D. 267,938 | 2/1983  | Grenie        | ..... | D12/147 |
| D. 270,150 | 8/1983  | Grenie        | ..... | D12/147 |
| D. 283,699 | 5/1986  | Candiliotis   | ..... | D12/147 |
| D. 287,351 | 12/1986 | Cain          | ..... | D12/147 |
| D. 288,307 | 2/1987  | Ono           | ..... | D12/146 |
| D. 288,548 | 3/1987  | Kojima et al. | ..... | D12/147 |
| D. 291,792 | 9/1987  | Clemens       | ..... | D12/147 |
| D. 291,793 | 9/1987  | Clemens       | ..... | D12/147 |

**FOREIGN PATENT DOCUMENTS**

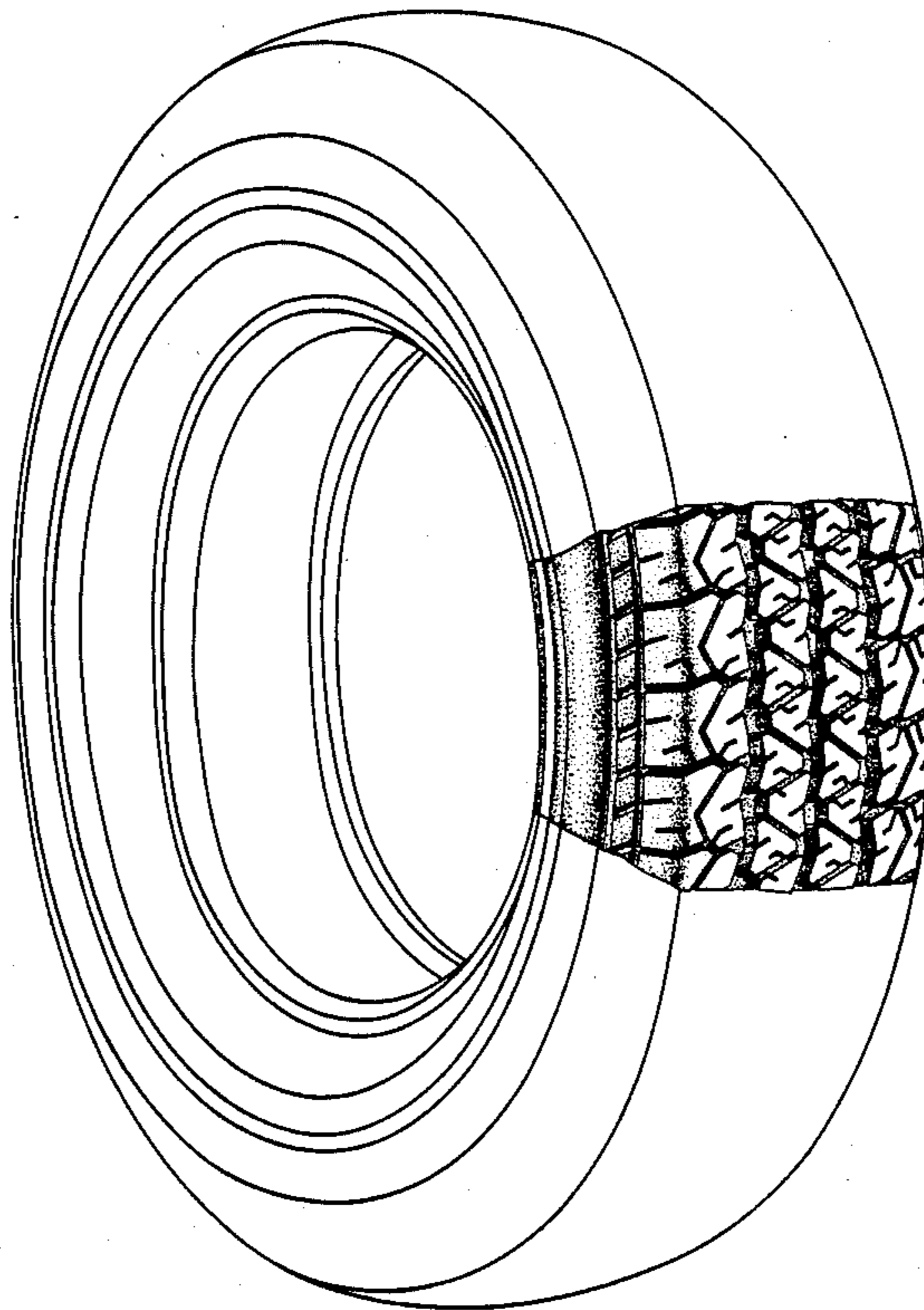
1014535 2/1984 United Kingdom .

[57] **CLAIM**

The ornamental design for a tire, as shown and described.

**DESCRIPTION**

FIGS. 1 and 2 are perspective views of a tire showing two embodiments of my new design, it being understood that the tread pattern is repeated throughout the circumference of the tire, as shown schematically by solid lines, the opposite side being substantially the same as that shown.



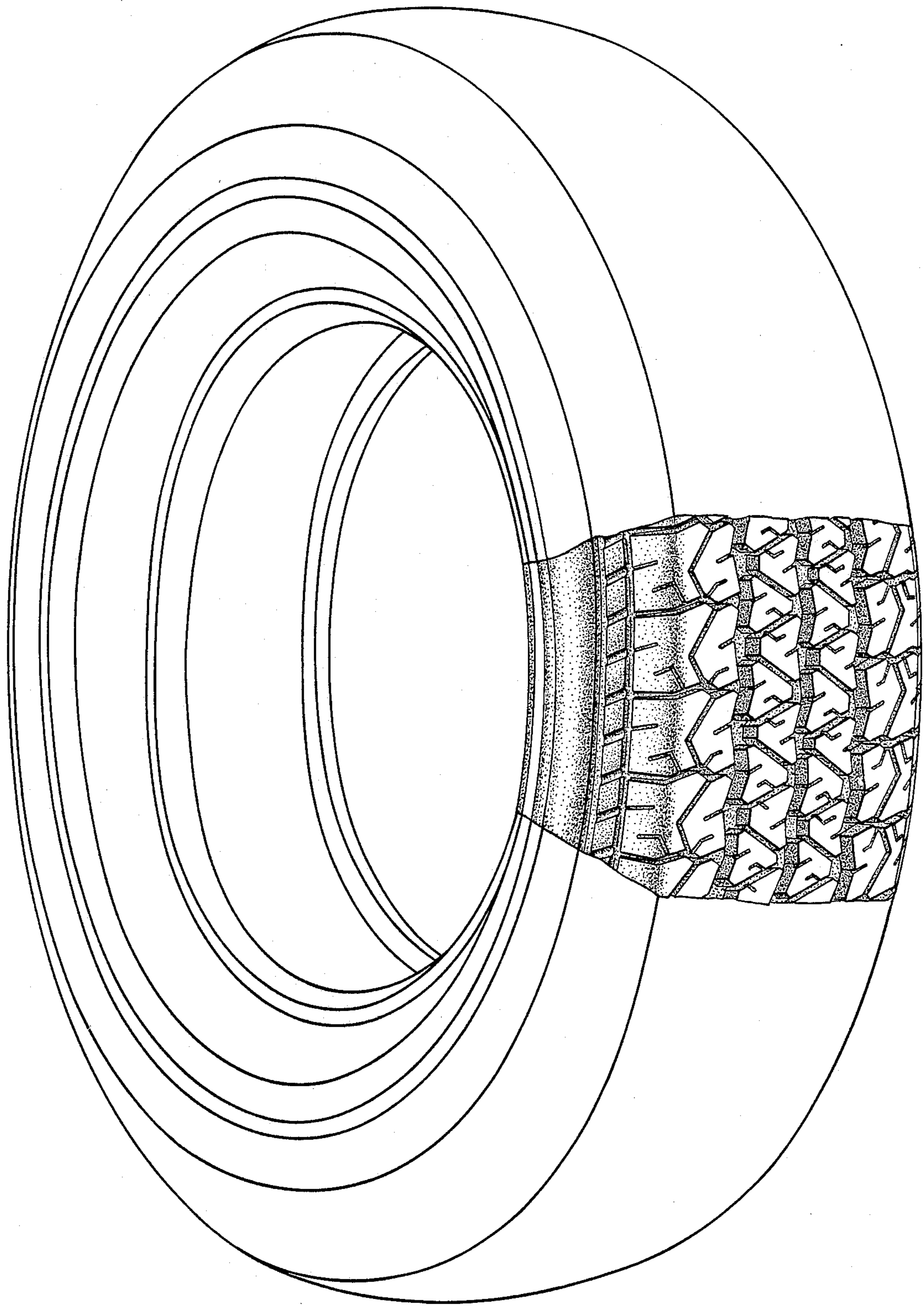


FIG. 1

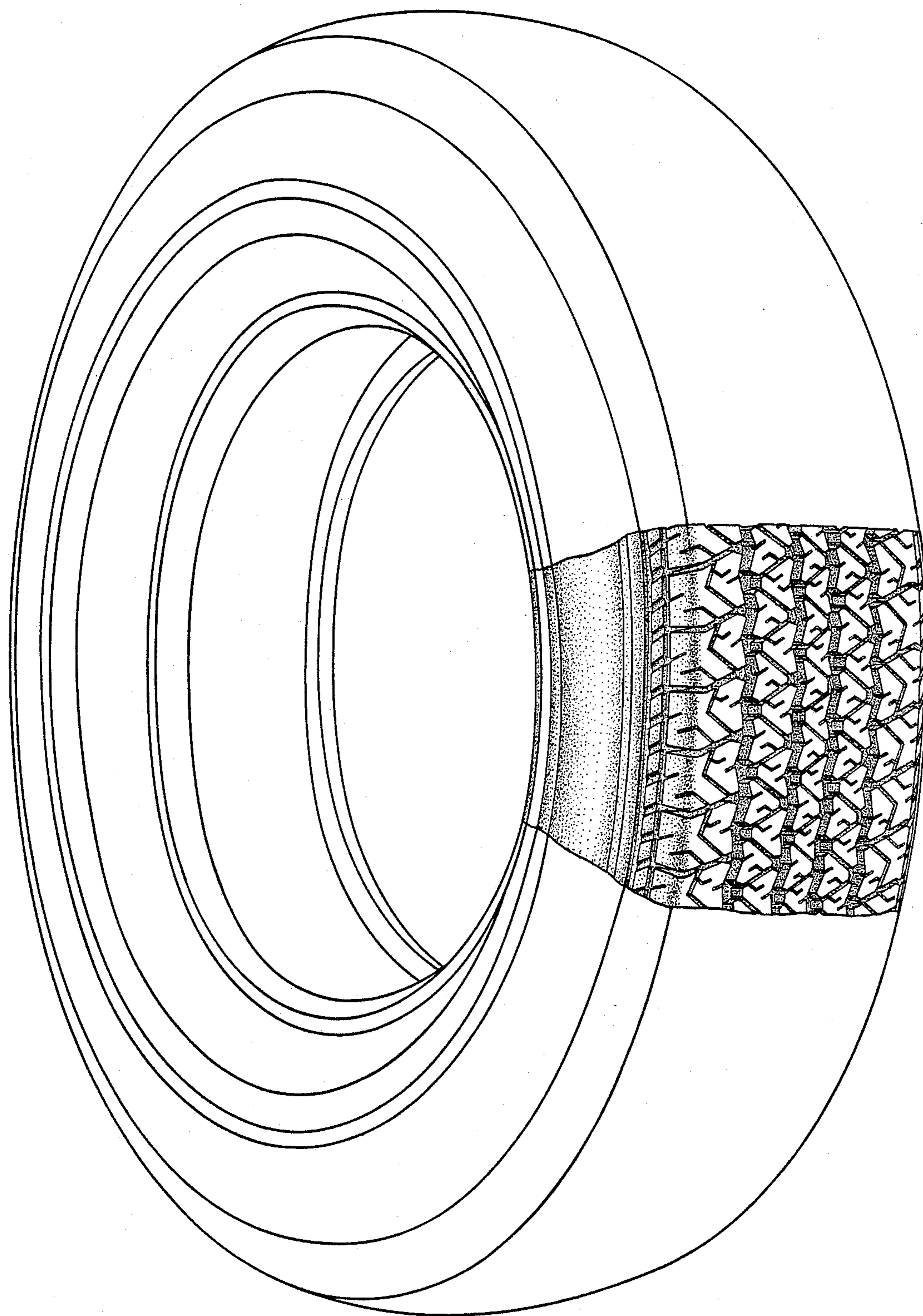


FIG. 2