

[54] **COMBINED BELL AND LAMP**
 [75] Inventor: Tatsuya Arai, Kitamoto, Japan
 [73] Assignee: Kobishi Electric Co., Ltd., Japan
 [*] Notice: The portion of the term of this patent subsequent to Jan. 12, 2002 has been disclaimed.

| | | | | |
|------------|--------|-----------|-------|--------------|
| D. 278,134 | 3/1985 | Jenkins | | D10/114 |
| D. 293,656 | 1/1988 | Arai | | D10/116 |
| 1,231,298 | 6/1917 | Reinker | | 340/815.22 |
| 2,554,627 | 5/1951 | Merola | | D10/116 X |
| 2,707,228 | 4/1955 | Philipson | | D26/123 X |
| 2,804,611 | 8/1957 | Craddock | | D10/114 X |
| 3,424,124 | 1/1969 | Jenkins | | 116/148 X |
| 3,430,219 | 2/1969 | Powers | | 340/815.21 X |
| 3,735,116 | 5/1973 | Morrison | | D26/28 X |

[**] Term: 14 Years

[21] Appl. No.: 773,822

[22] Filed: Sep. 6, 1985

[30] Foreign Application Priority Data

Aug. 30, 1985 [JP] Japan 60-36767

[52] U.S. Cl. D14/116; D10/114

[58] Field of Search D10/114, 116; D26/51, D26/28, 118, 122, 128-137, 125; 116/148, 152, 155; 340/88, 815.21, 815.22; 362/326, 330, 334, 335, 336, 337, 339

[56] References Cited

U.S. PATENT DOCUMENTS

| | | | | |
|------------|--------|-------------|-------|-----------|
| D. 44,238 | 6/1913 | Hawthorne | | D26/29 |
| D. 173,826 | 1/1955 | Wiswell | | D10/114 |
| D. 192,275 | 2/1962 | Herscovitz | | D10/116 X |
| D. 195,051 | 4/1963 | Gantenbrink | | D26/128 |

FOREIGN PATENT DOCUMENTS

| | | | | |
|--------|---------|----------------|-------|---------|
| 652390 | 10/1928 | France | | D26/125 |
| 795817 | 5/1958 | United Kingdom | | 116/152 |

Primary Examiner—Susan J. Lucas
Attorney, Agent, or Firm—Darby & Darby

[57] CLAIM

The ornamental design for a combined bell and lamp, as shown and described.

DESCRIPTION

FIG. 1 is a front elevational view of a combined bell and lamp showing my new design;
 FIG. 2 is a left side elevational view thereof;
 FIG. 3 is a top plan view thereof;
 FIG. 4 is a bottom plan view thereof;
 FIG. 5 is a rear elevational view thereof;
 FIG. 6 is a front perspective view thereof.

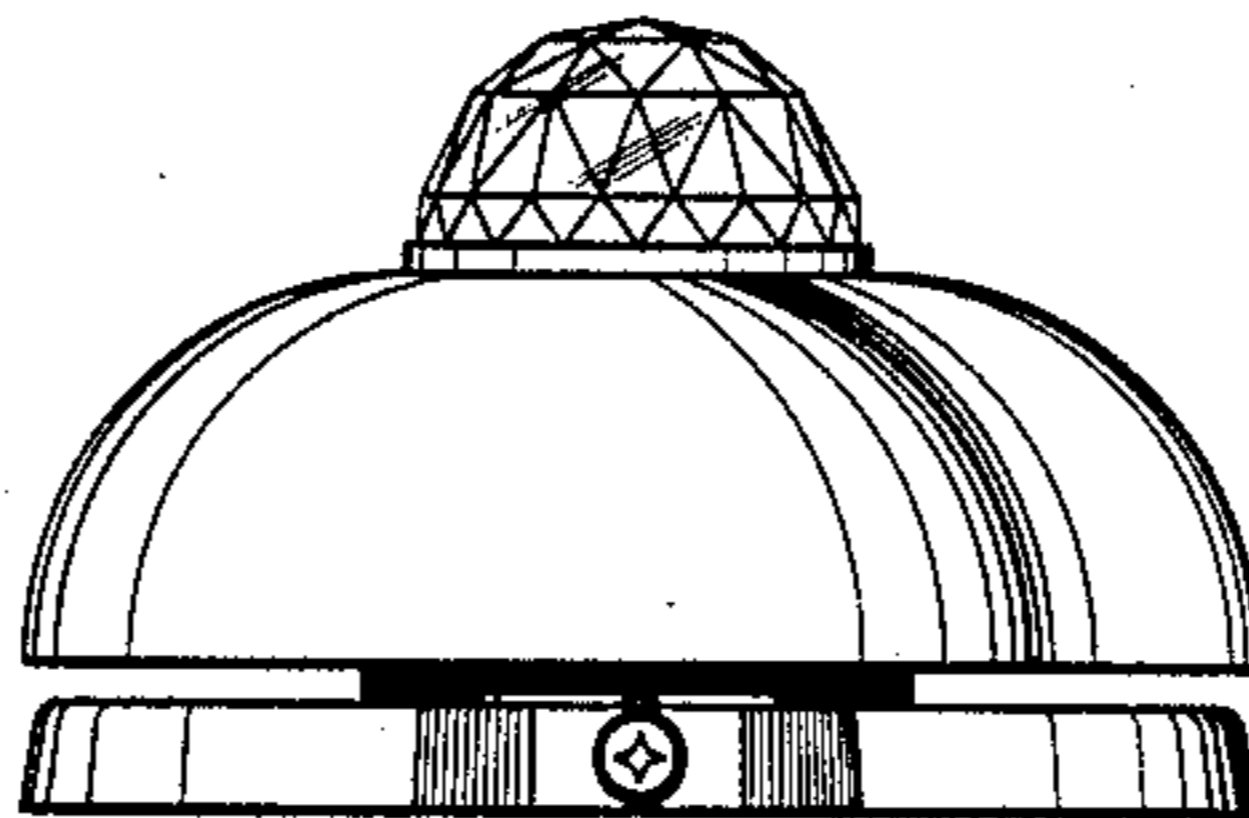
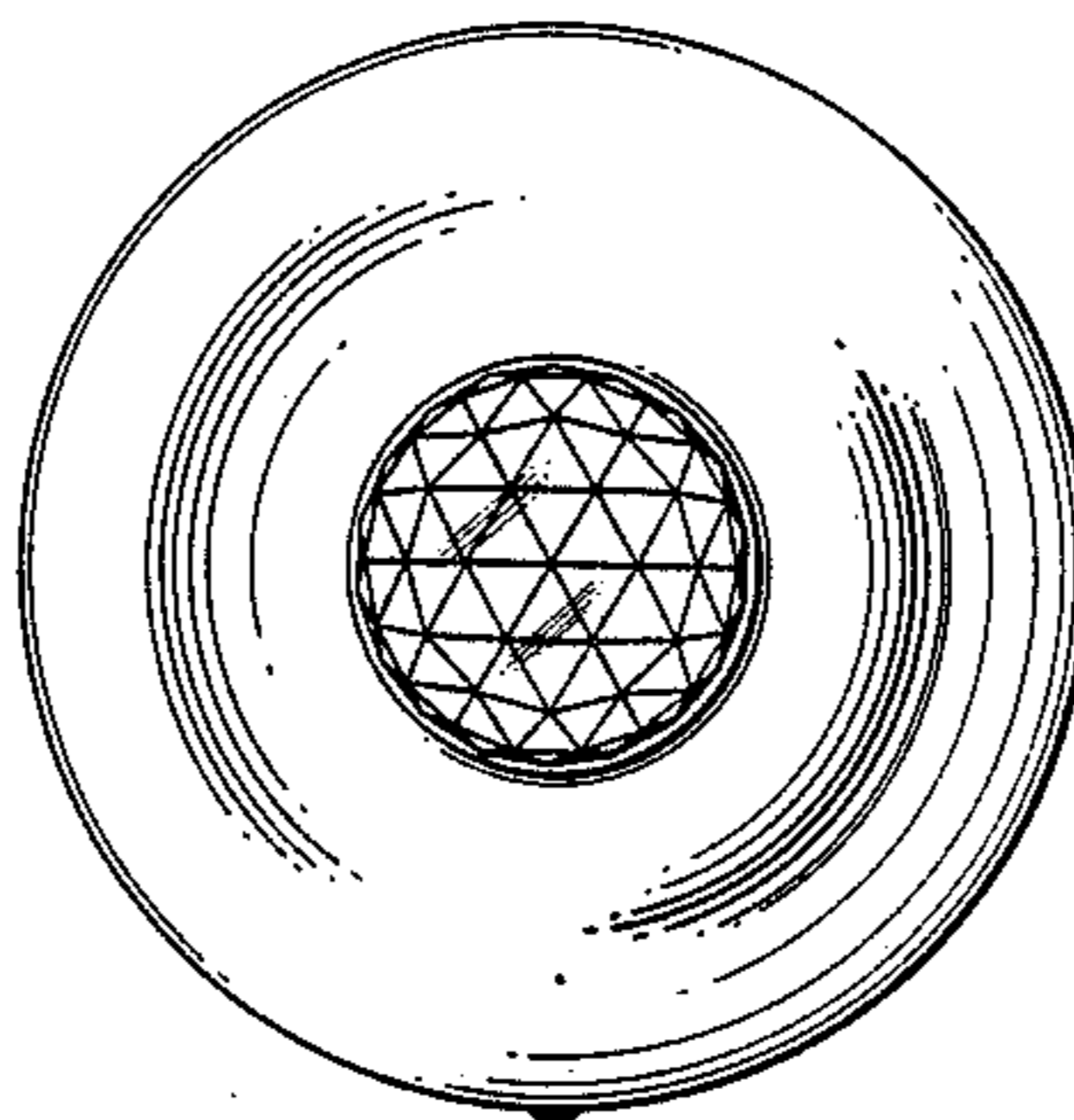


FIG. 3

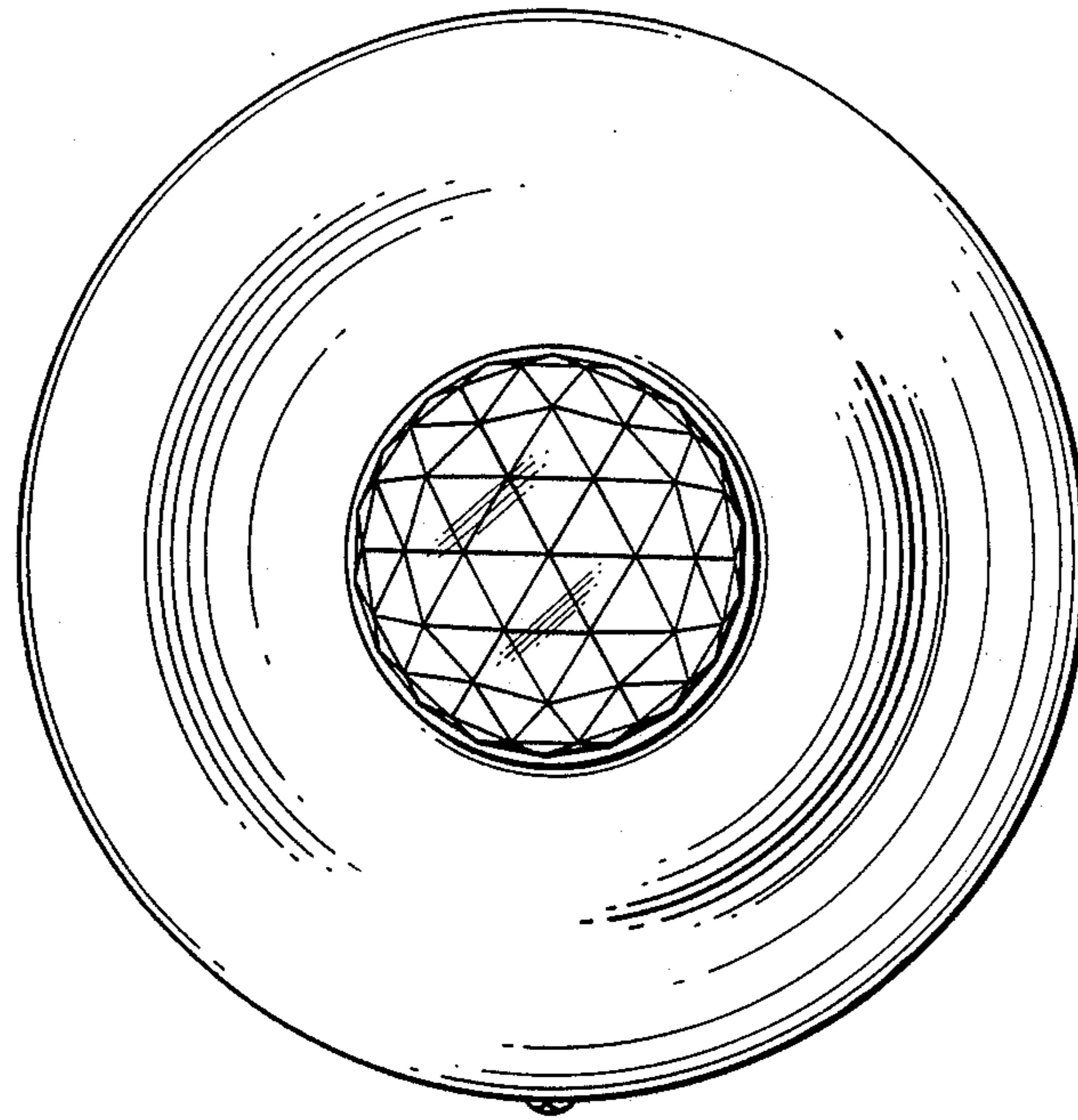


FIG. 1

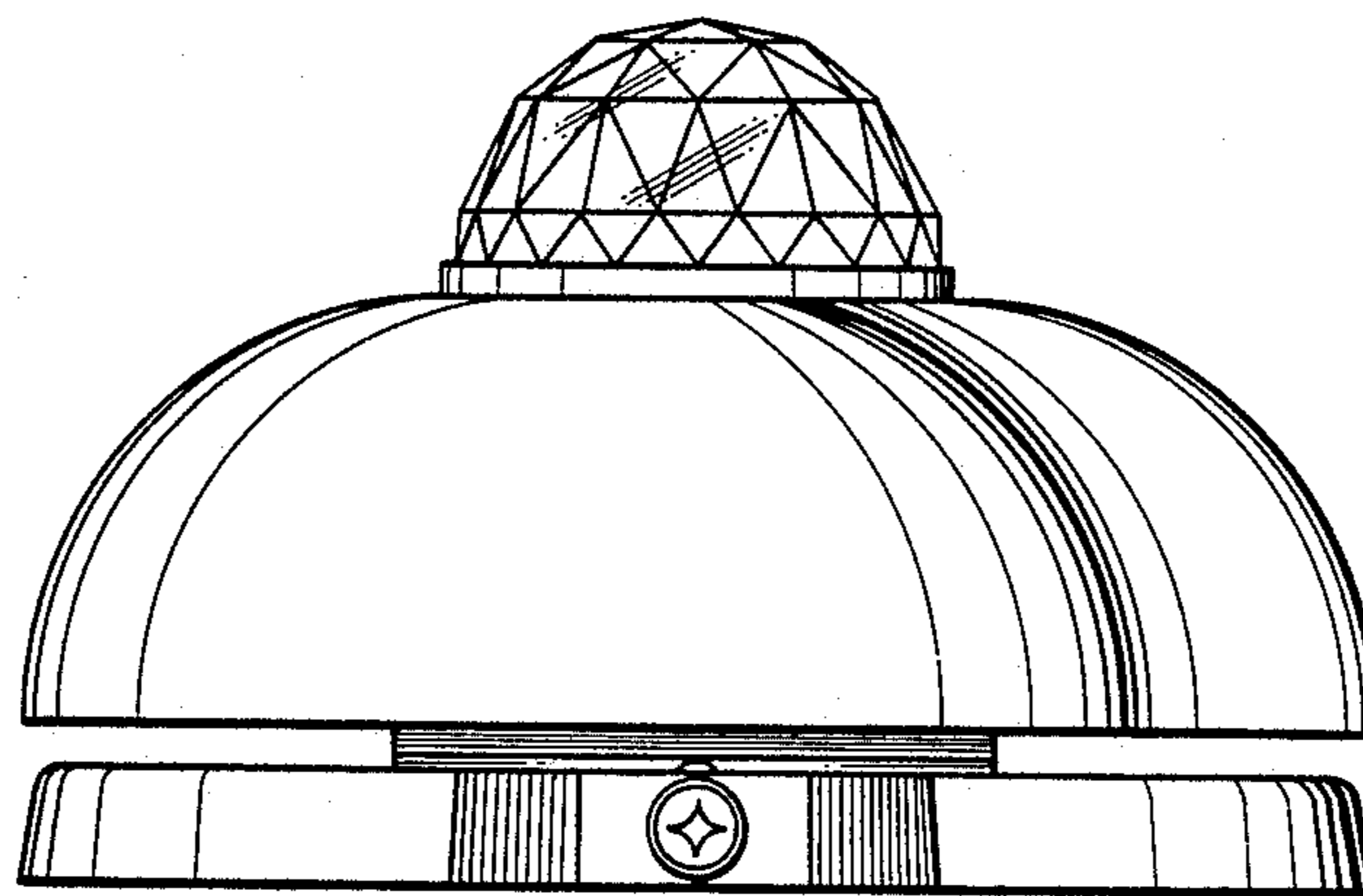


FIG. 4

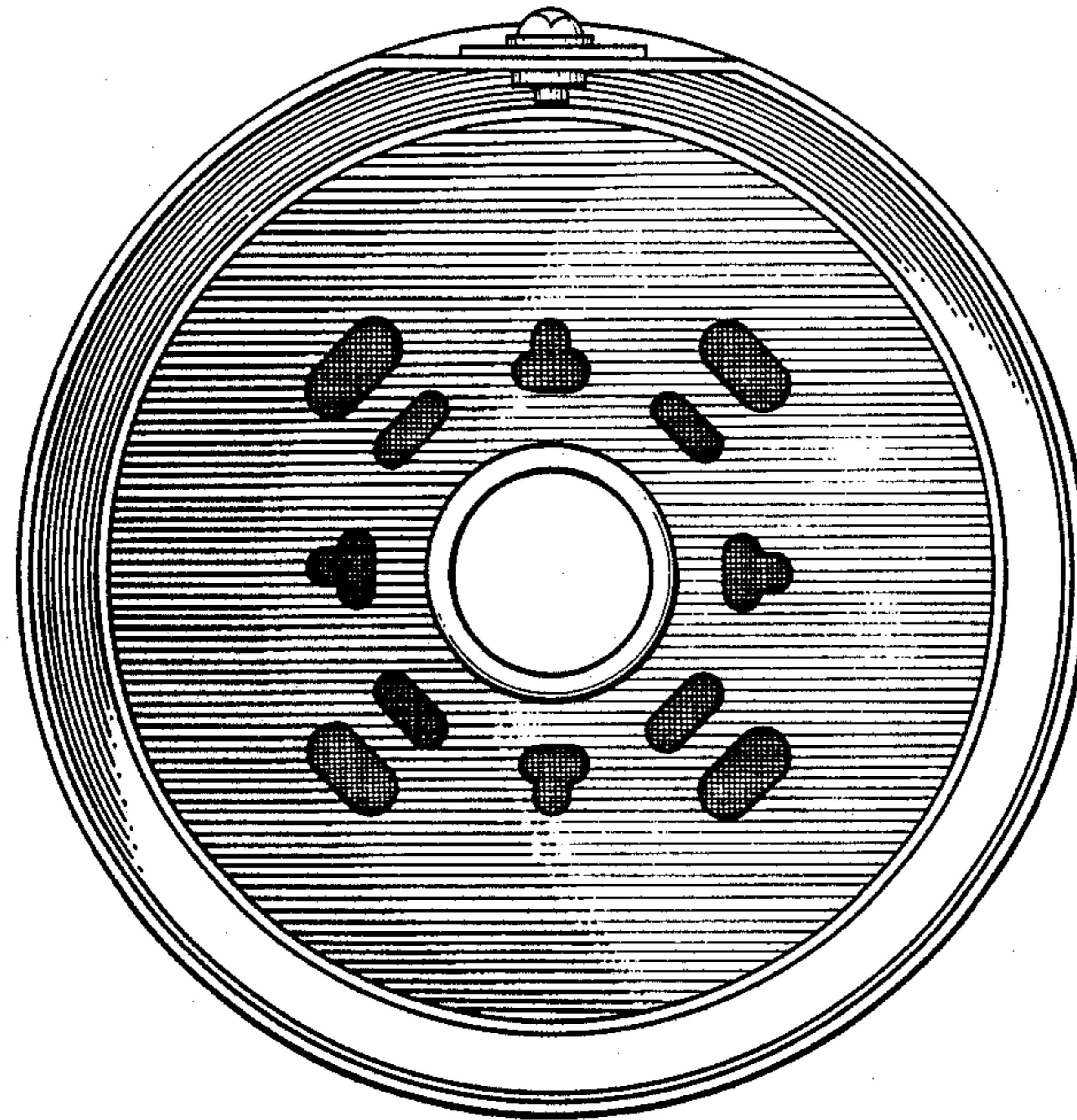


FIG. 2

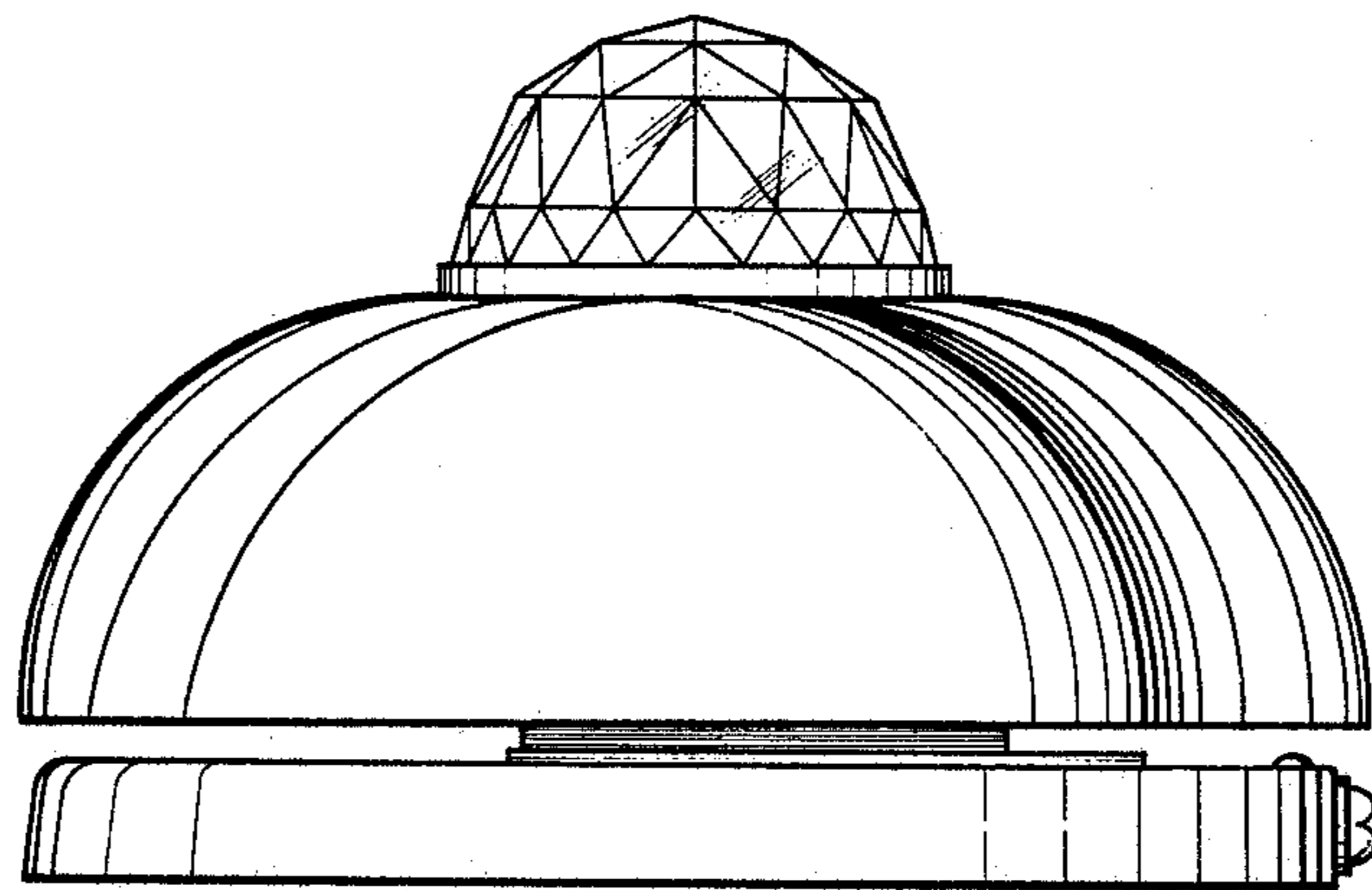


FIG. 6

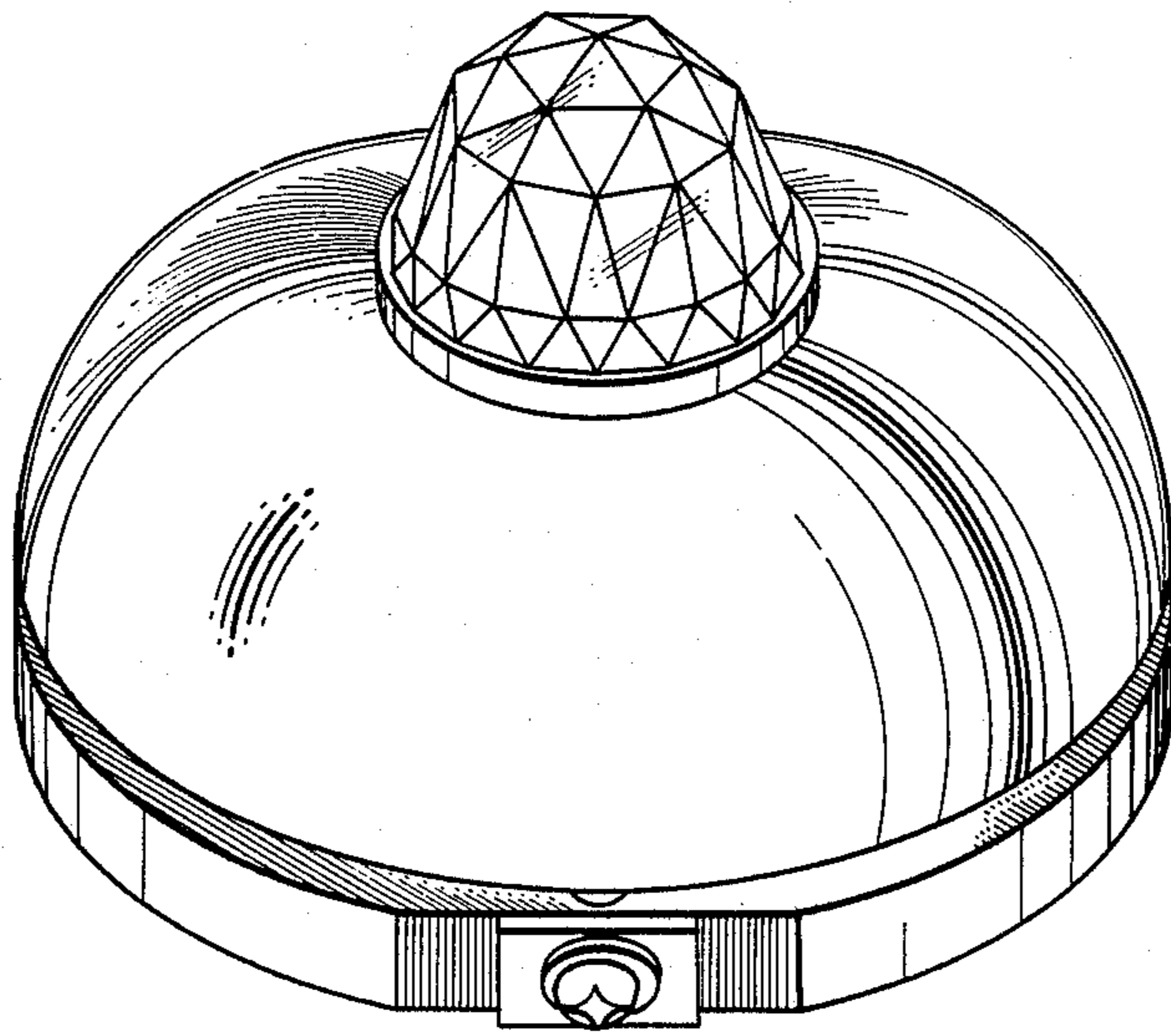


FIG. 5

