

[54] WEIGHT ALARM DIGITAL SCALE

4,447,885 5/1984 Biss 177/200 X
4,462,473 7/1984 Valestin 177/25.15

[76] Inventor: Richard L. Heim, 4922A Murdoch St., St. Louis, Mo. 63109

[**] Term: 14 Years

[21] Appl. No.: 876,346

[22] Filed: Jun. 19, 1986

[52] U.S. Cl. D10/91

[58] Field of Search D10/87-94;
177/262, 25.15, 25.16, 243, 246, 256, 177, 239,
211

[56] References Cited

U.S. PATENT DOCUMENTS

- D. 270,717 9/1983 Wells D10/91
- D. 274,795 7/1984 Wirth D10/88 X
- D. 275,558 9/1984 Pearson D10/91
- D. 289,744 5/1987 Bungener D10/91

OTHER PUBLICATIONS

Design Engineering-1/81-p. 21-Scale at center.

Primary Examiner-Nelson C. Holtje

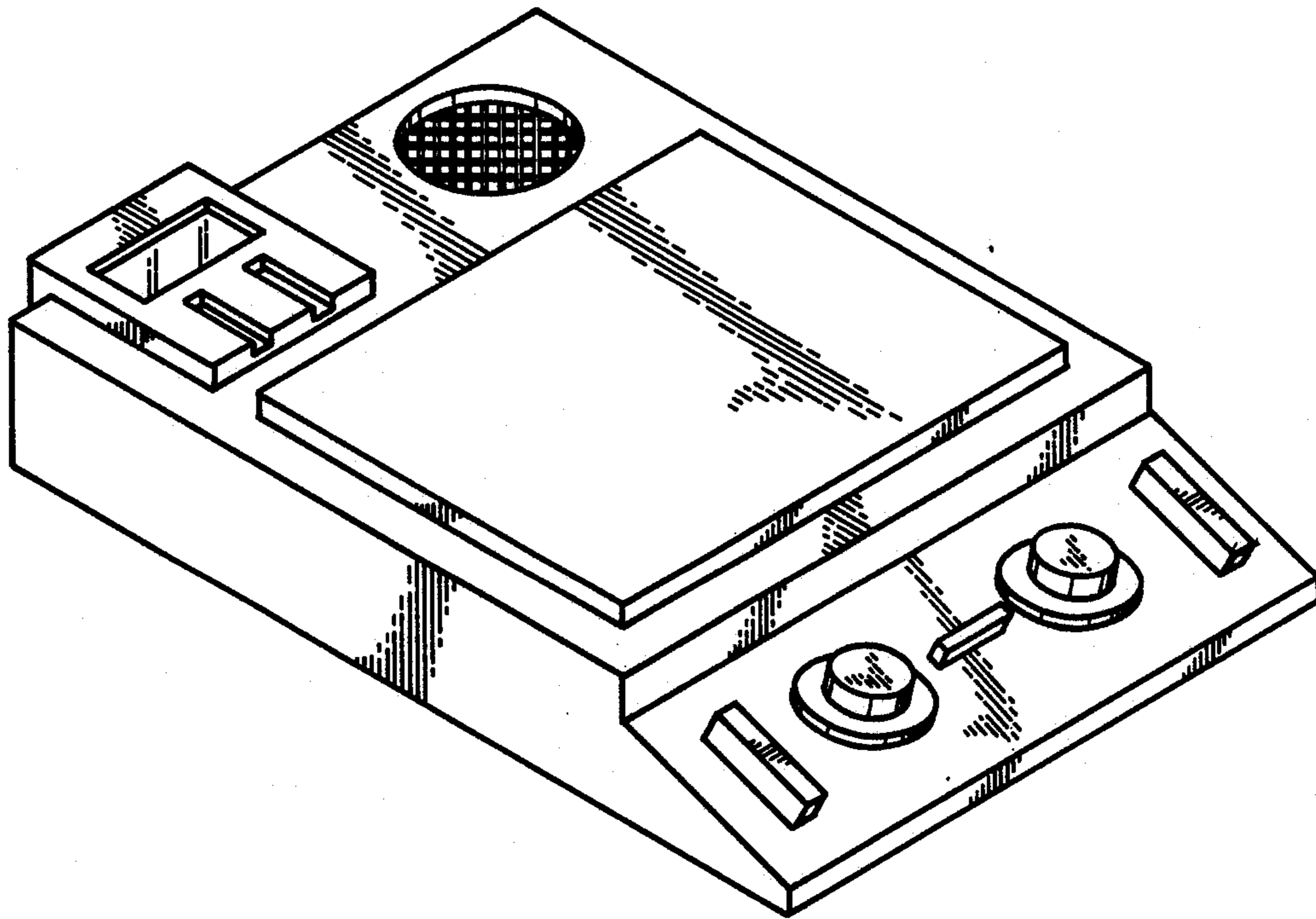
Attorney, Agent, or Firm-Terry M. Gernstein

[57] CLAIM

The ornamental design for a weight alarm digital scale, as shown and described.

DESCRIPTION

FIG. 1 is a front and top-left perspective view of a weight alarm digital scale showing my new design; FIG. 2 is a left side elevational view thereof, the right side view being a mirror image thereof; FIG. 3 is a rear elevational view thereof; FIG. 4 is a front elevational view thereof; FIG. 5 is a bottom plan view thereof.



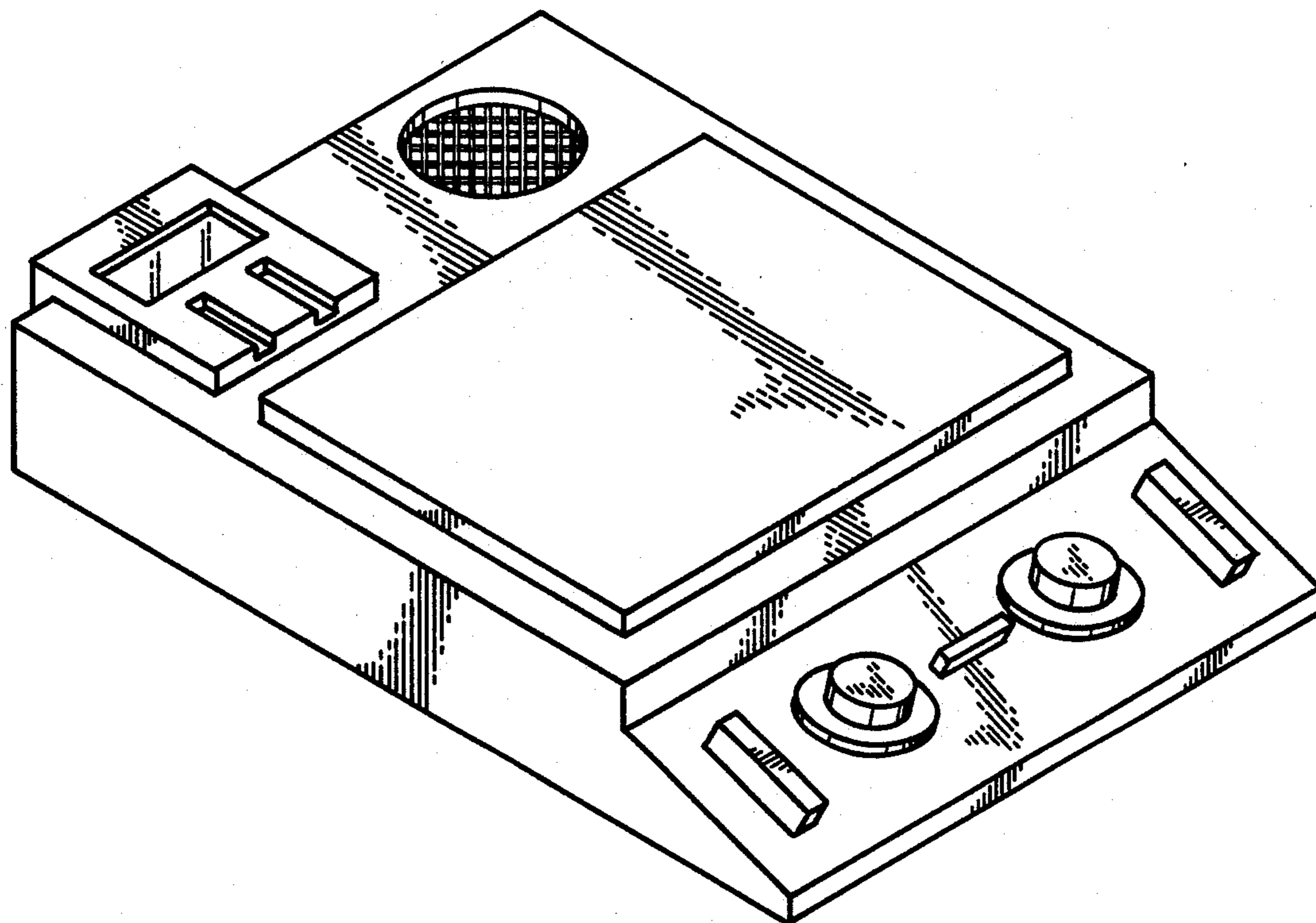


Fig. 1

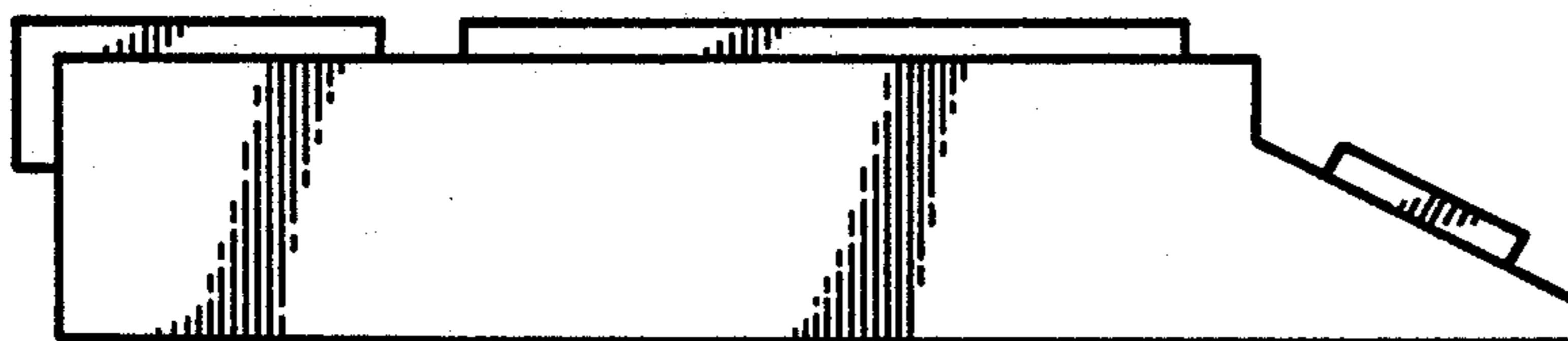


Fig. 2

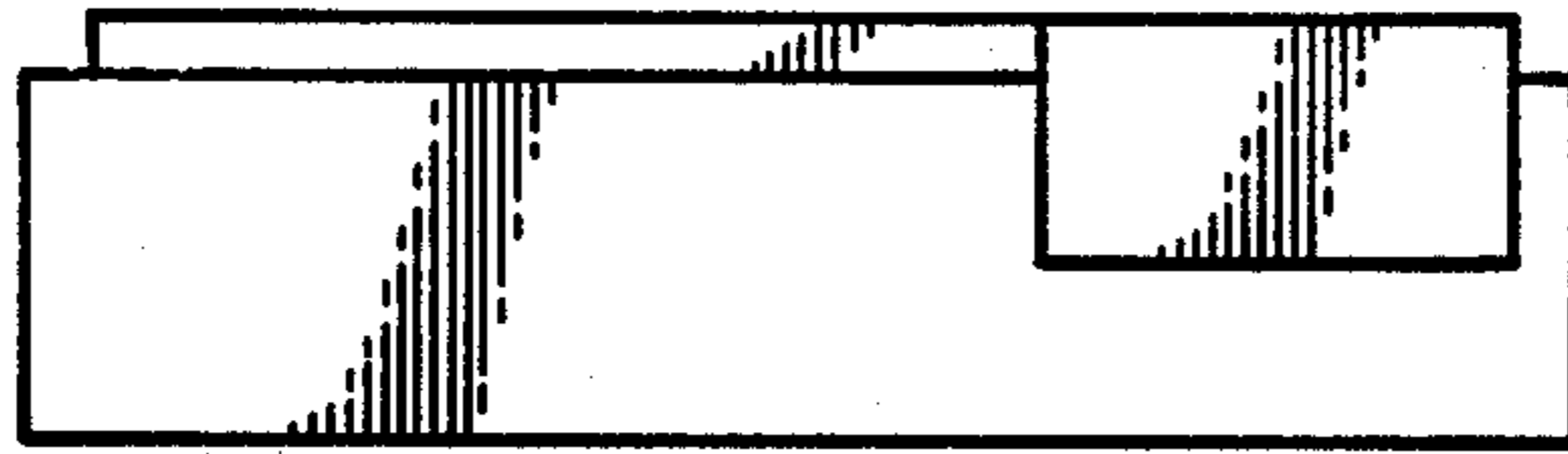


Fig. 3

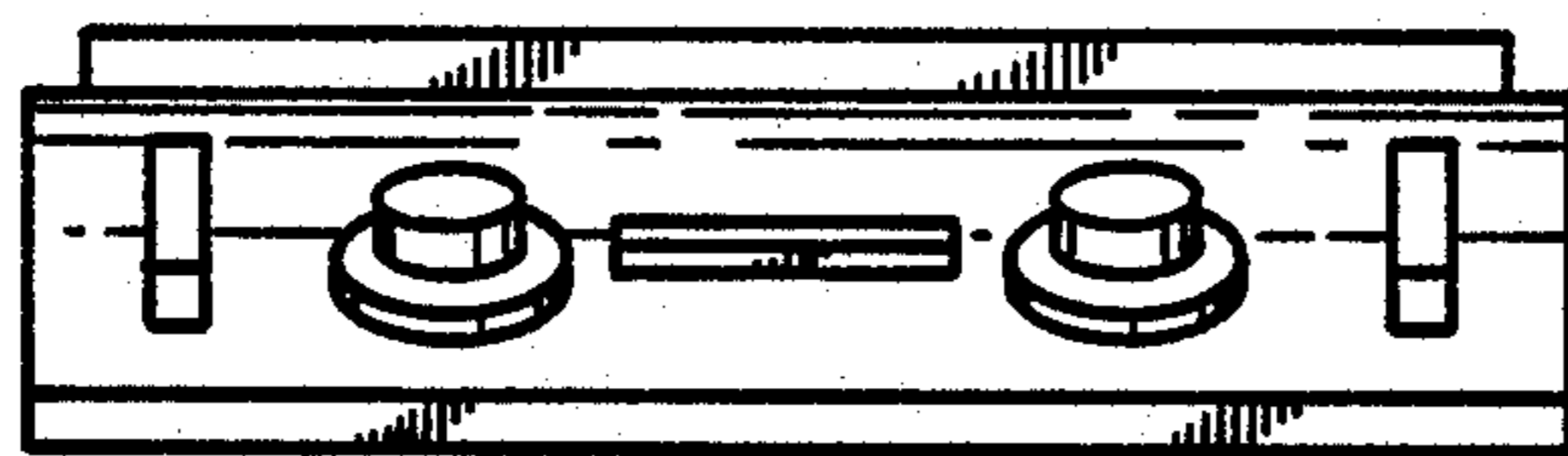


Fig. 4

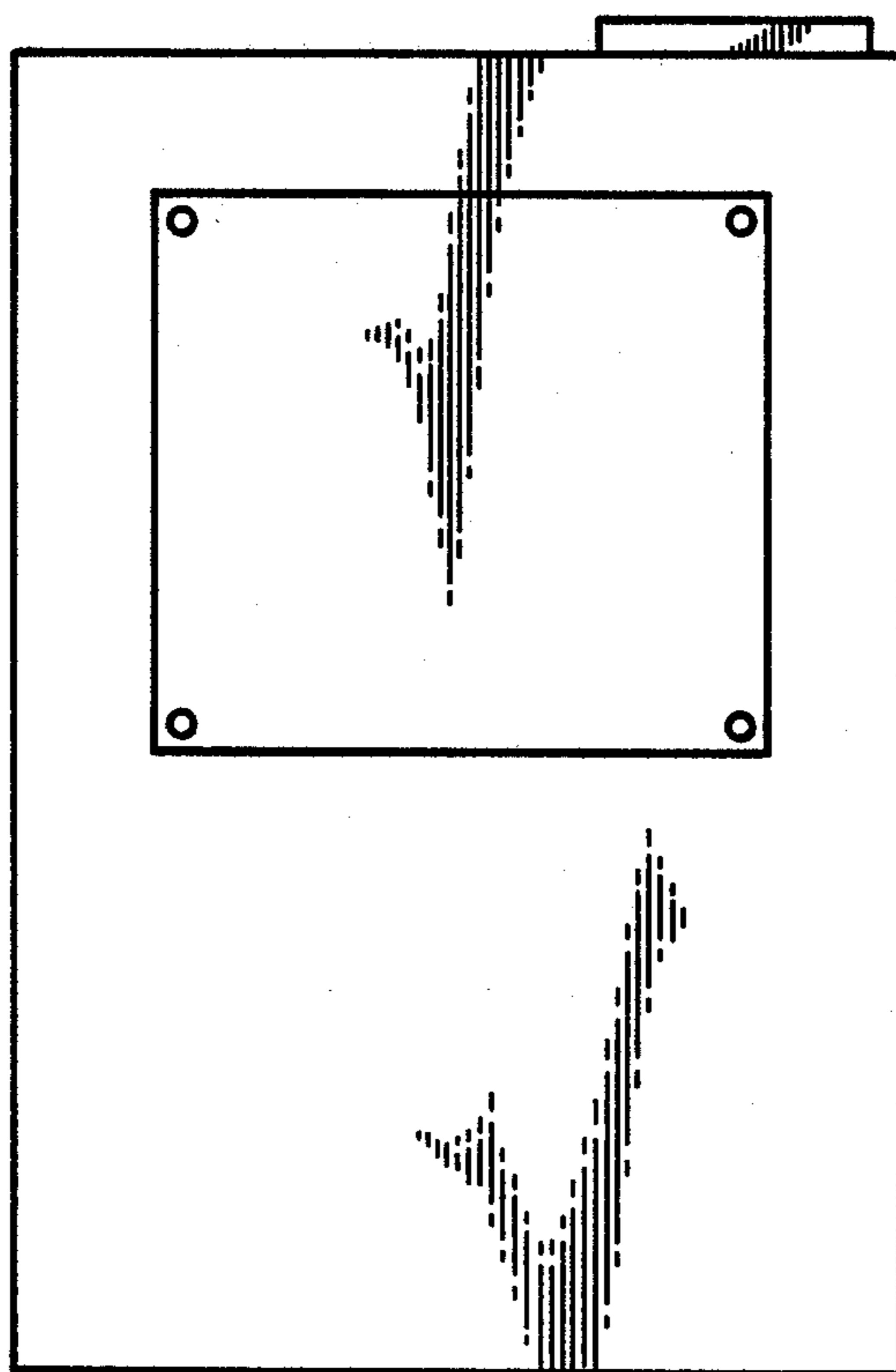


Fig. 5