

[54] POCKET SIZE DIGITAL SCALE

[76] Inventors: Hannah S. Brewer; David K. Brewer, both of 3720 Cheyenne Blvd., Sioux City, Iowa 51104

[**] Term: 14 Years

[21] Appl. No.: 864,895

[22] Filed: May 19, 1986

[52] U.S. Cl. D10/91

[58] Field of Search D10/87-94; 177/25.15, 25.16, 262, 243, 127

[56] References Cited

U.S. PATENT DOCUMENTS

D. 274,795	7/1984	Wirth	D10/88 X
D. 275,558	9/1984	Pearson	D10/91
D. 289,744	5/1987	Bungener	D10/91
379,746	3/1888	Watt	.	
634,162	10/1889	Bracktle	.	
3,584,696	6/1971	Eblowitz	177/127
3,968,849	7/1976	Dale	177/127
4,274,500	6/1987	Kuhnle	D10/91 X

4,300,645	11/1981	Sly	177/211
4,429,756	2/1984	Jacobson	177/211
4,447,885	5/1984	Biss	177/200 X

OTHER PUBLICATIONS

Hong Kong Enterprises-6/85, p. 17-Scale at top. Cole-Parmer Cat. "1984 Presents" ©1984-p. 7-Scale at top-left.

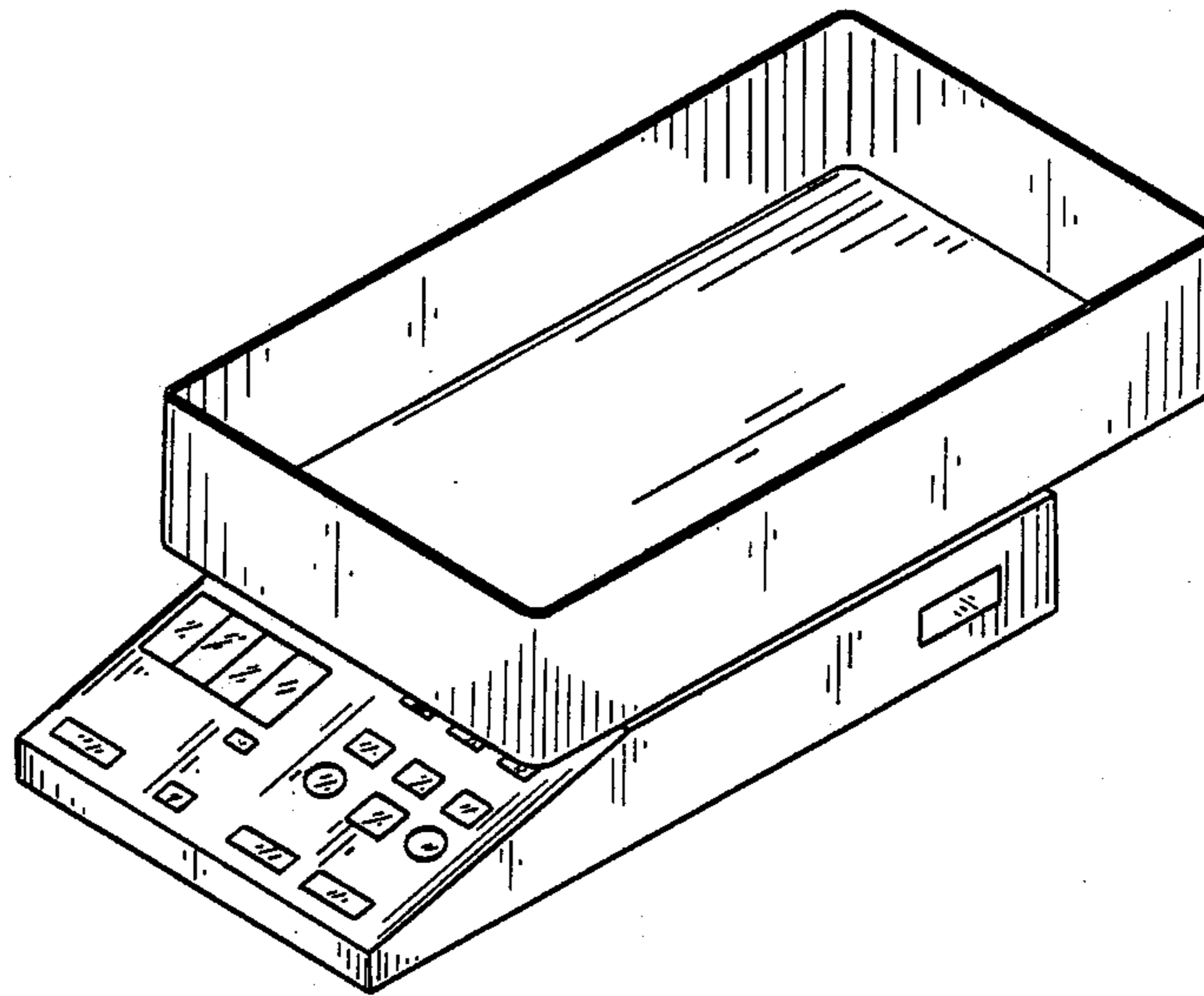
Primary Examiner—Nelson C. Holtje

[57] CLAIM

The ornamental design for a pocket size digital scale, as shown and described.

DESCRIPTION

FIG. 1 is a frontal top-right perspective view of a pocket size digital food scale showing our new design; FIG. 2 is a front elevational view thereof; FIG. 3 is a rear elevational view thereof; FIG. 4 is a right side elevational view thereof, the left side being a mirror image thereof. FIG. 5 is a top plan view thereof; and FIG. 6 is a bottom plan view thereof.



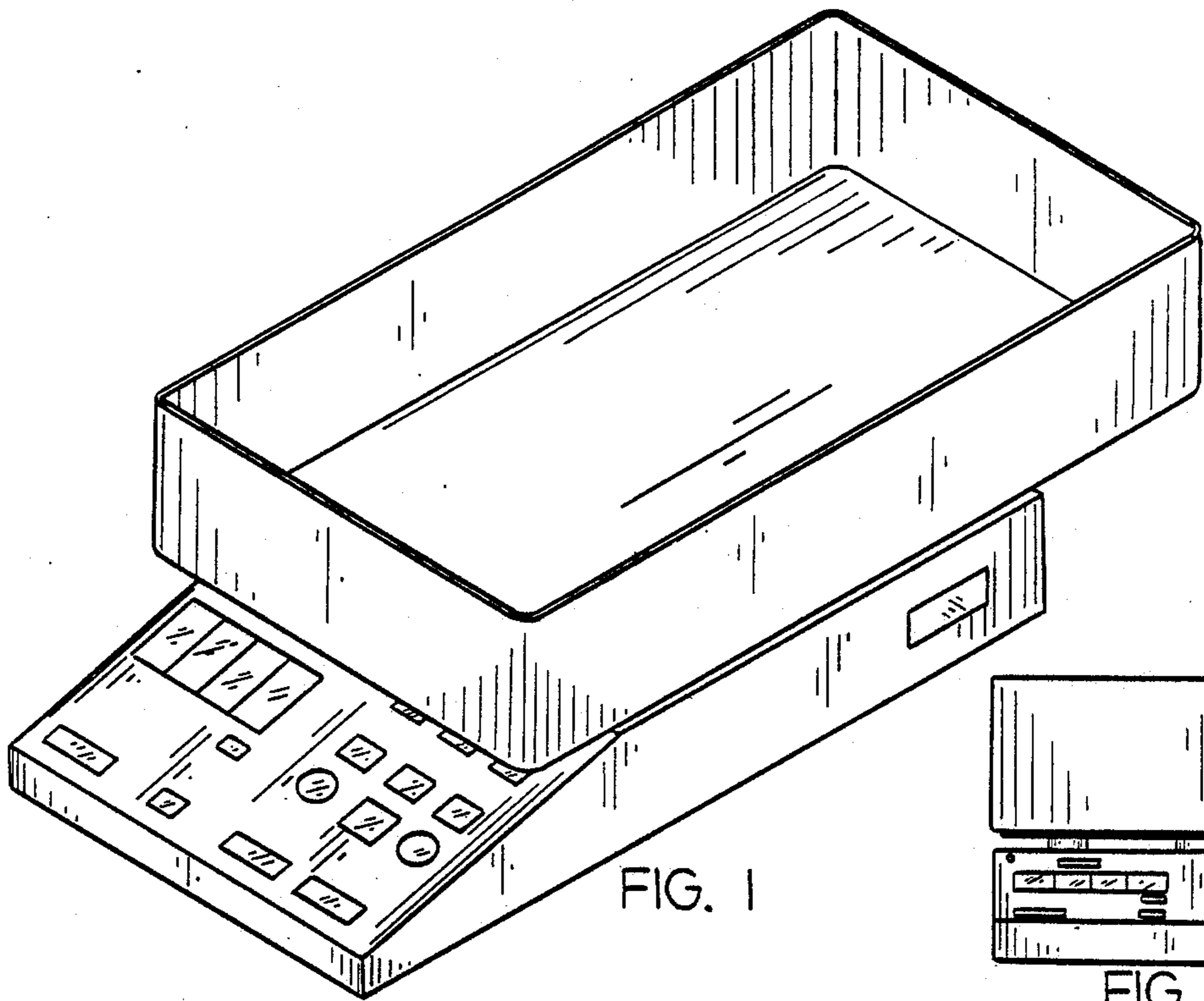


FIG. 1

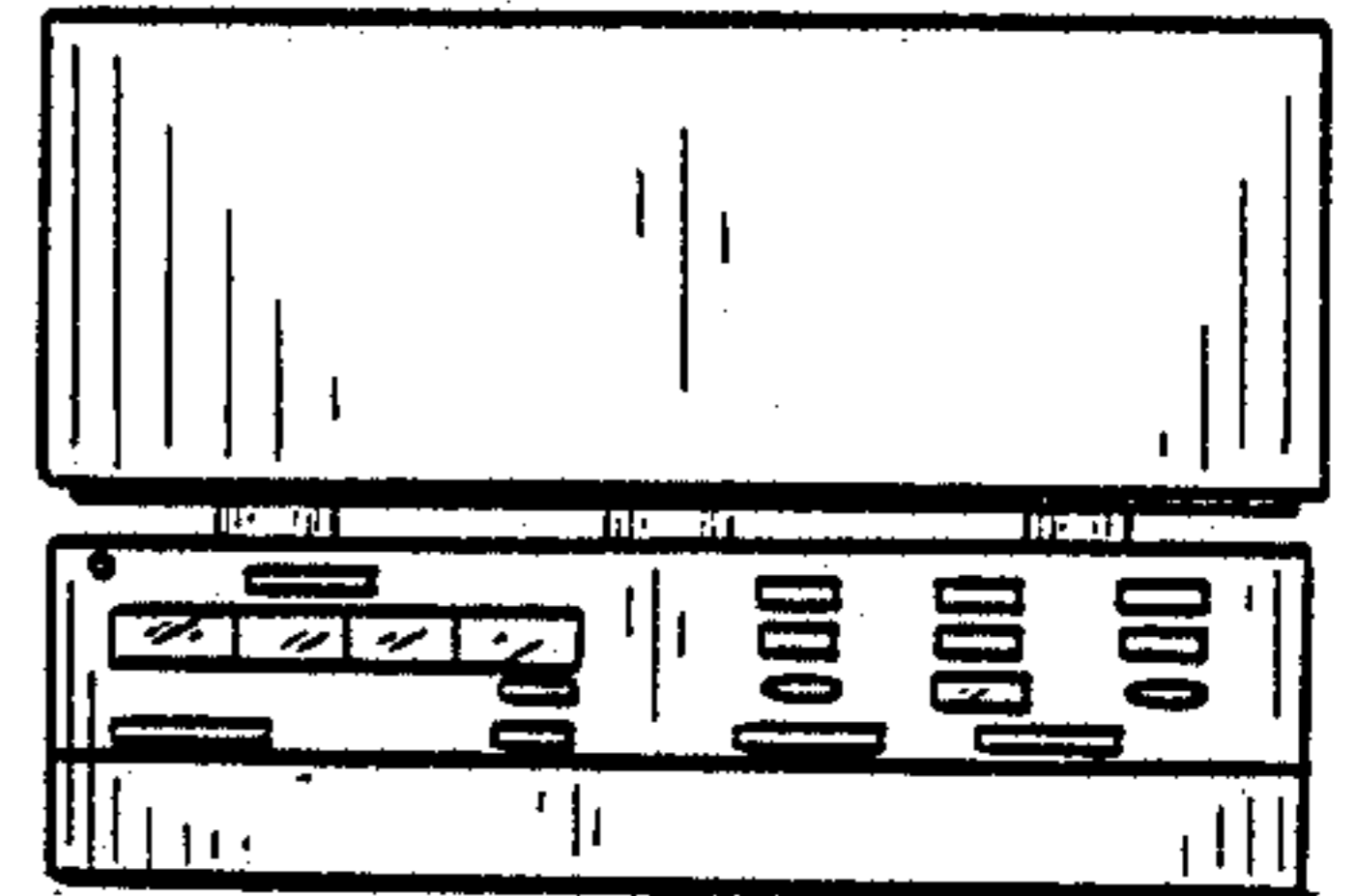


FIG. 2

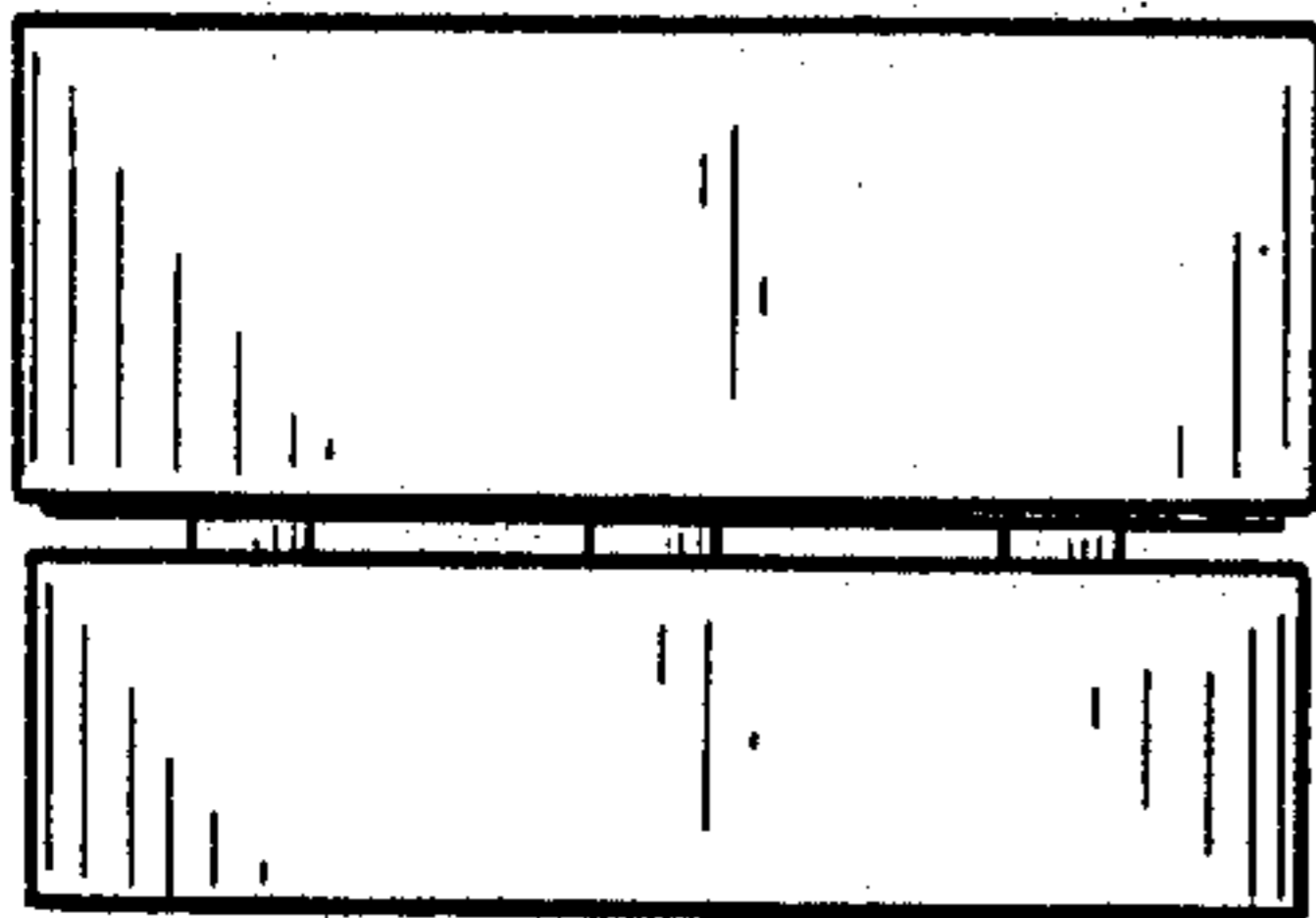


FIG. 3

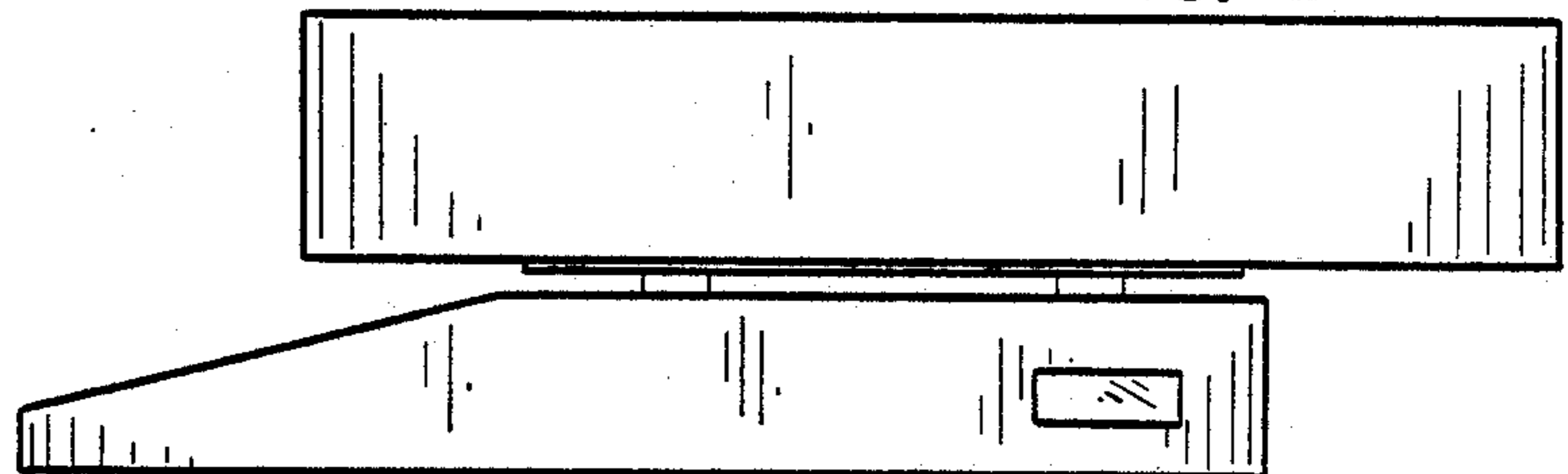


FIG. 4

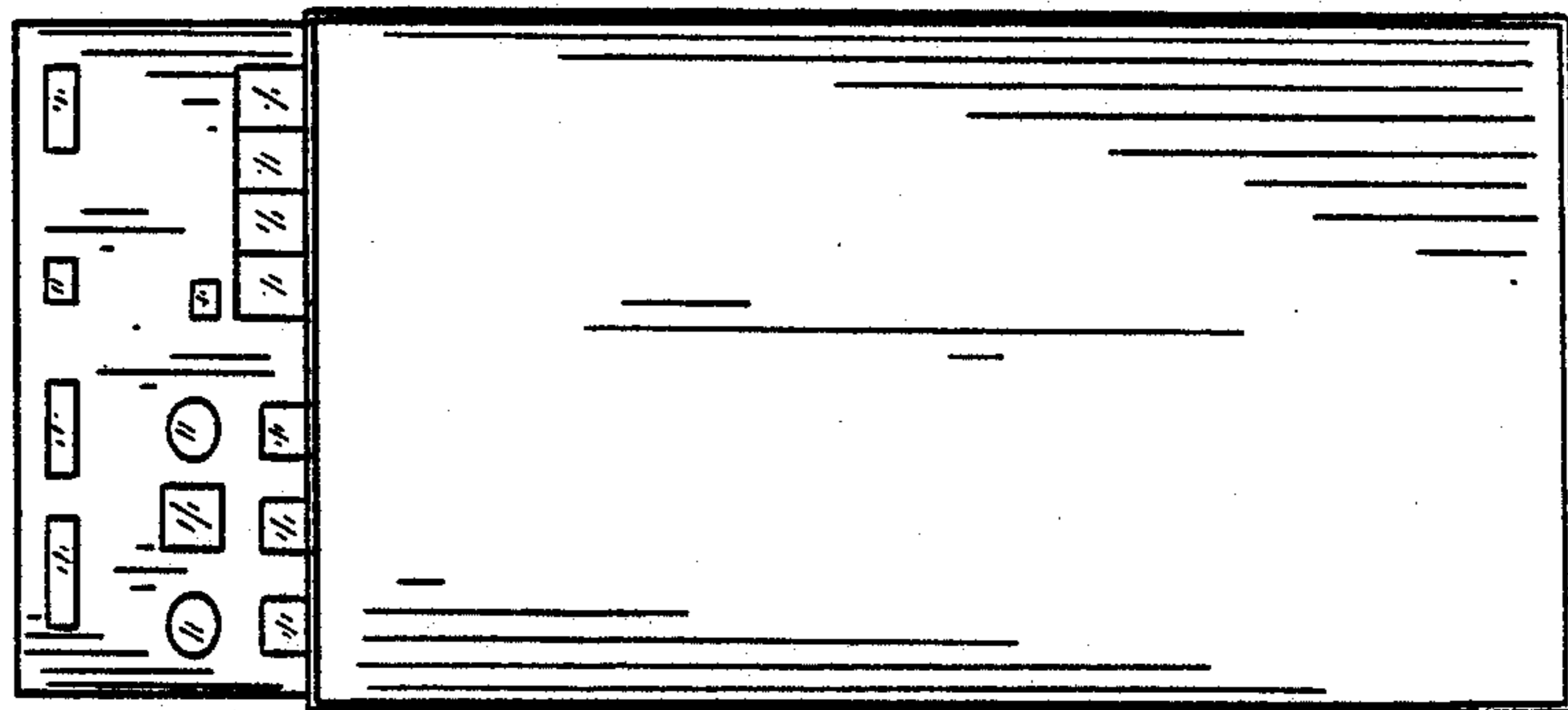


FIG. 5

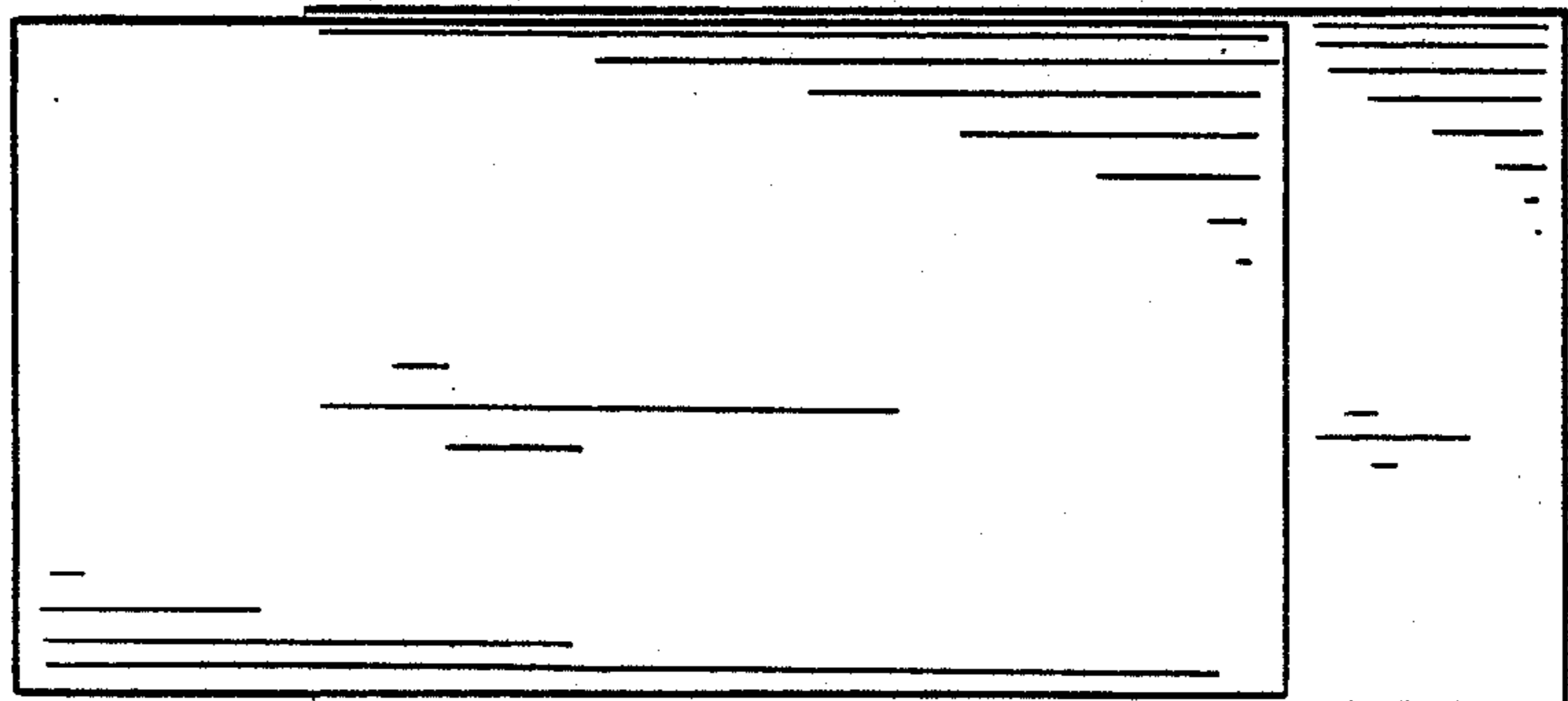


FIG. 6