

[54] BOTTLE

[76] Inventors: Carl E. Frahm, 1428 Oak Meadow Rd.; B. Joseph Rokus, 1420 Oak Meadow Rd., both of Arcadia, Calif. 91006

[**] Term: 14 Years

[21] Appl. No.: 770,778

[22] Filed: Aug. 29, 1985

[52] U.S. Cl. D9/386; D9/403

[58] Field of Search D9/386, 400, 403, 407, D9/408, 413; 215/1 R, 1 C

[56] References Cited

U.S. PATENT DOCUMENTS

D. 82,398	10/1930	Sharp	D9/400
D. 125,920	3/1941	Lundy	D9/400
D. 208,379	8/1967	Schnur et al.	D9/400
D. 251,110	2/1979	Braun	D9/400
D. 288,783	3/1987	Harris, Jr.	D9/400 X

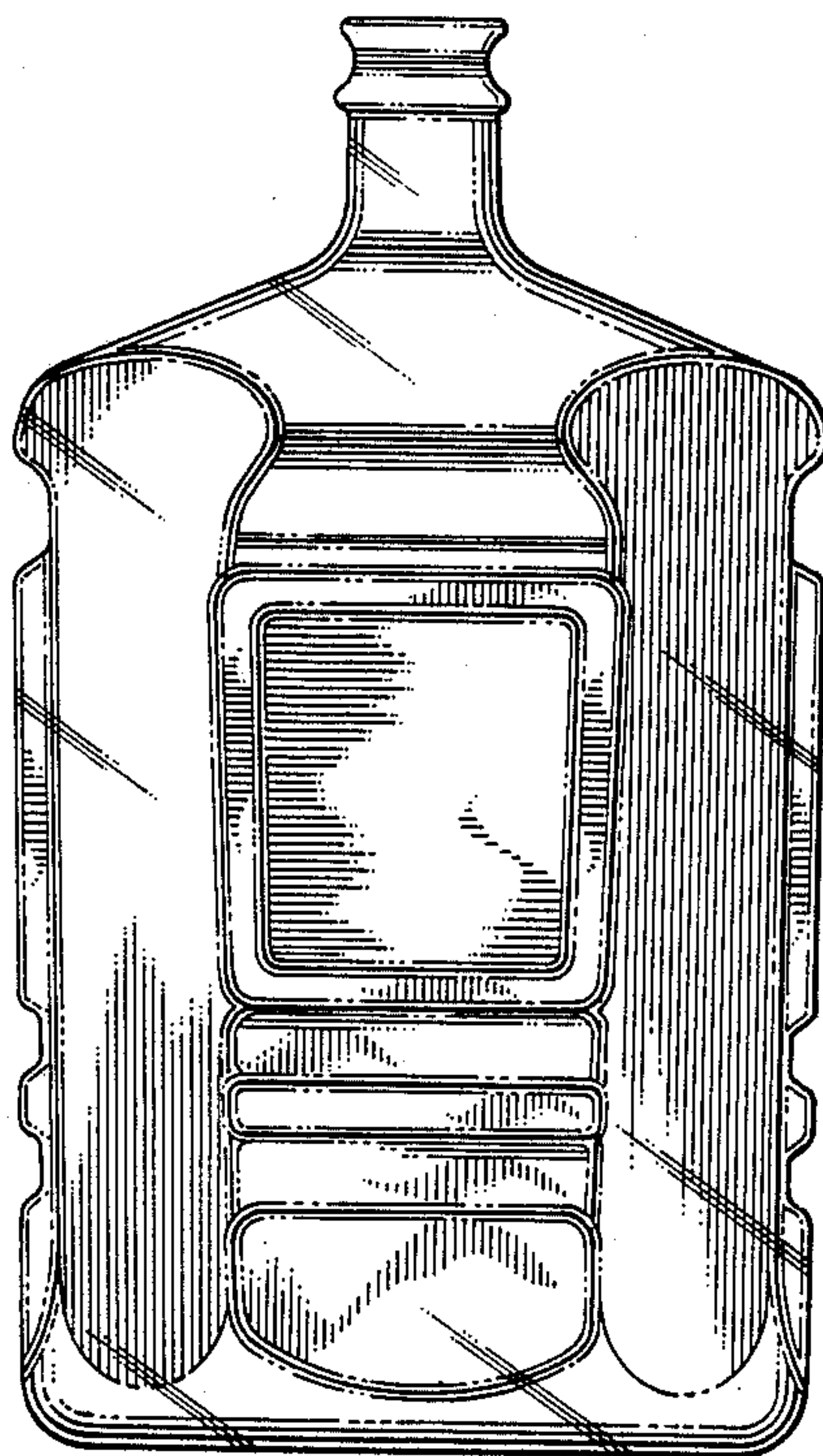
Primary Examiner—Robert C. Spangler
Attorney, Agent, or Firm—Lyon & Lyon

[57] CLAIM

The ornamental design for a bottle, as shown and described.

DESCRIPTION

FIG. 1 is an elevational view of a bottle showing our design;
 FIG. 2 is a view looking from the right of FIG. 1;
 FIG. 3 is a view of the bottle rotated 45 degrees clockwise from the FIG. 1 position;
 FIG. 4 is a top plan view;
 FIG. 5 is a bottom plan view;
 FIG. 6 is a view with the bottle turned 180 degrees clockwise from the FIG. 1 position;
 FIG. 7 is a view with the bottle turned 180 degrees from the FIG. 2 position; and
 FIG. 8 is a cross-sectional view taken along line 8—8 in FIG. 7.



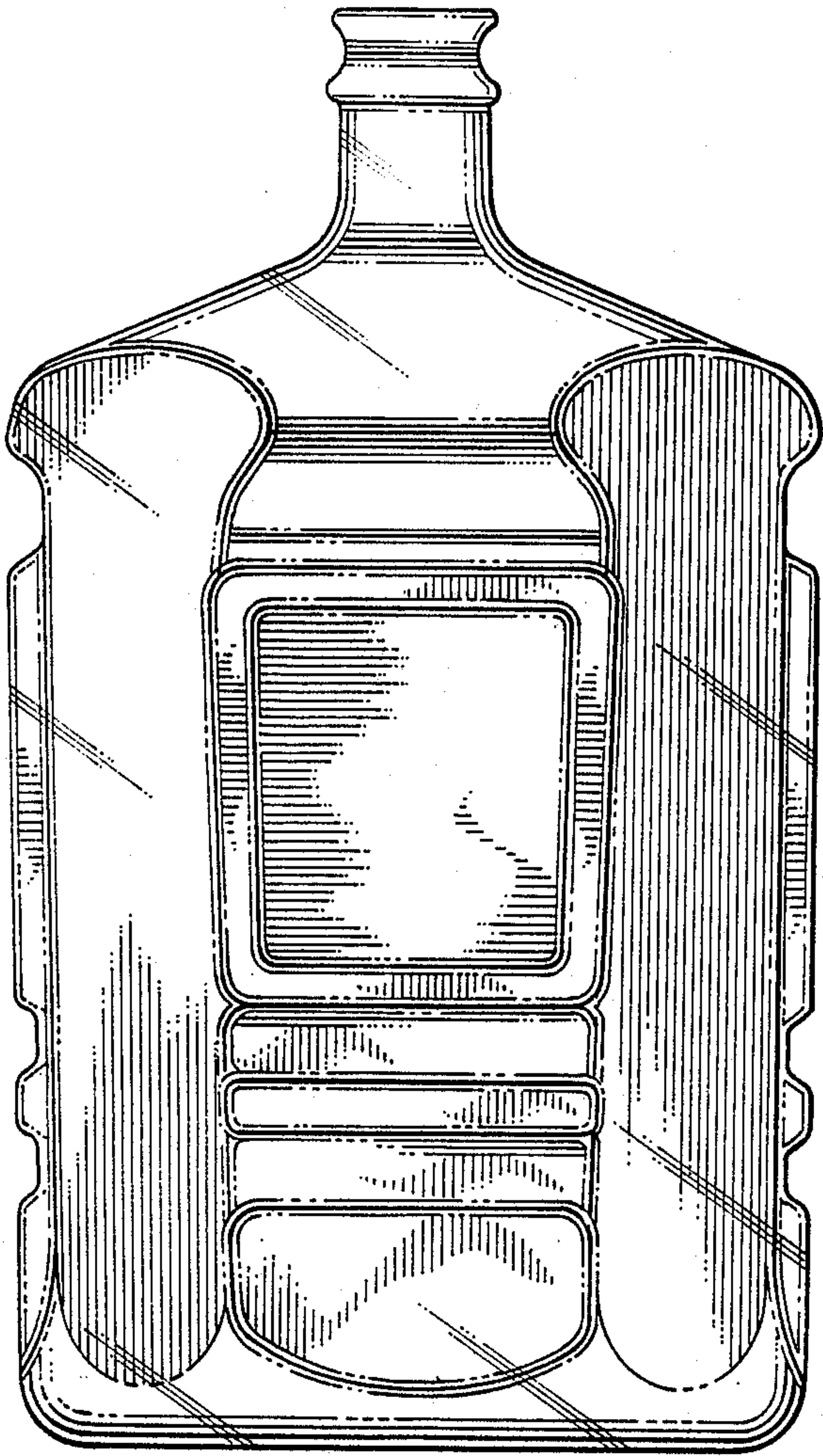


FIG. 1

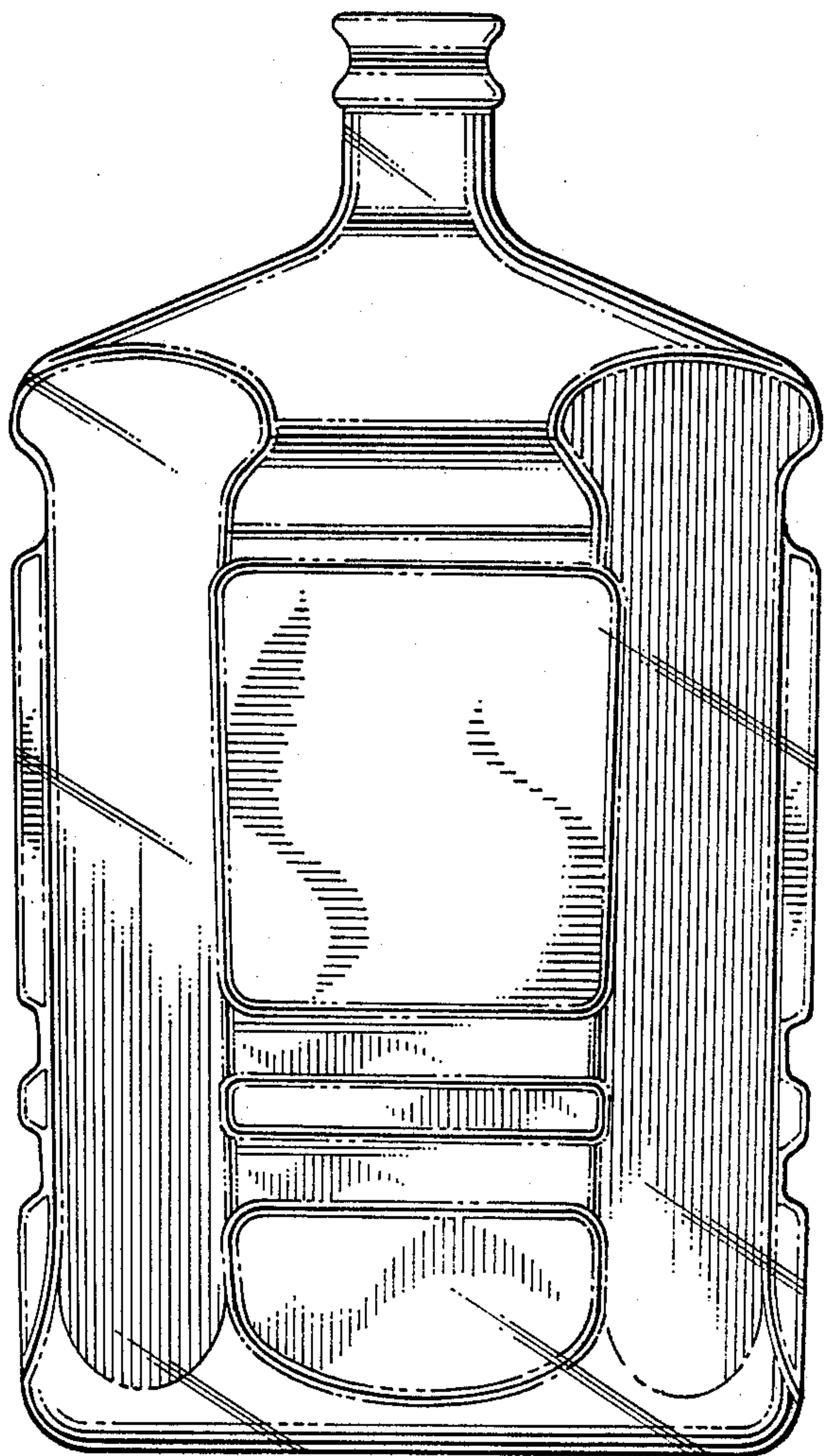


FIG. 2

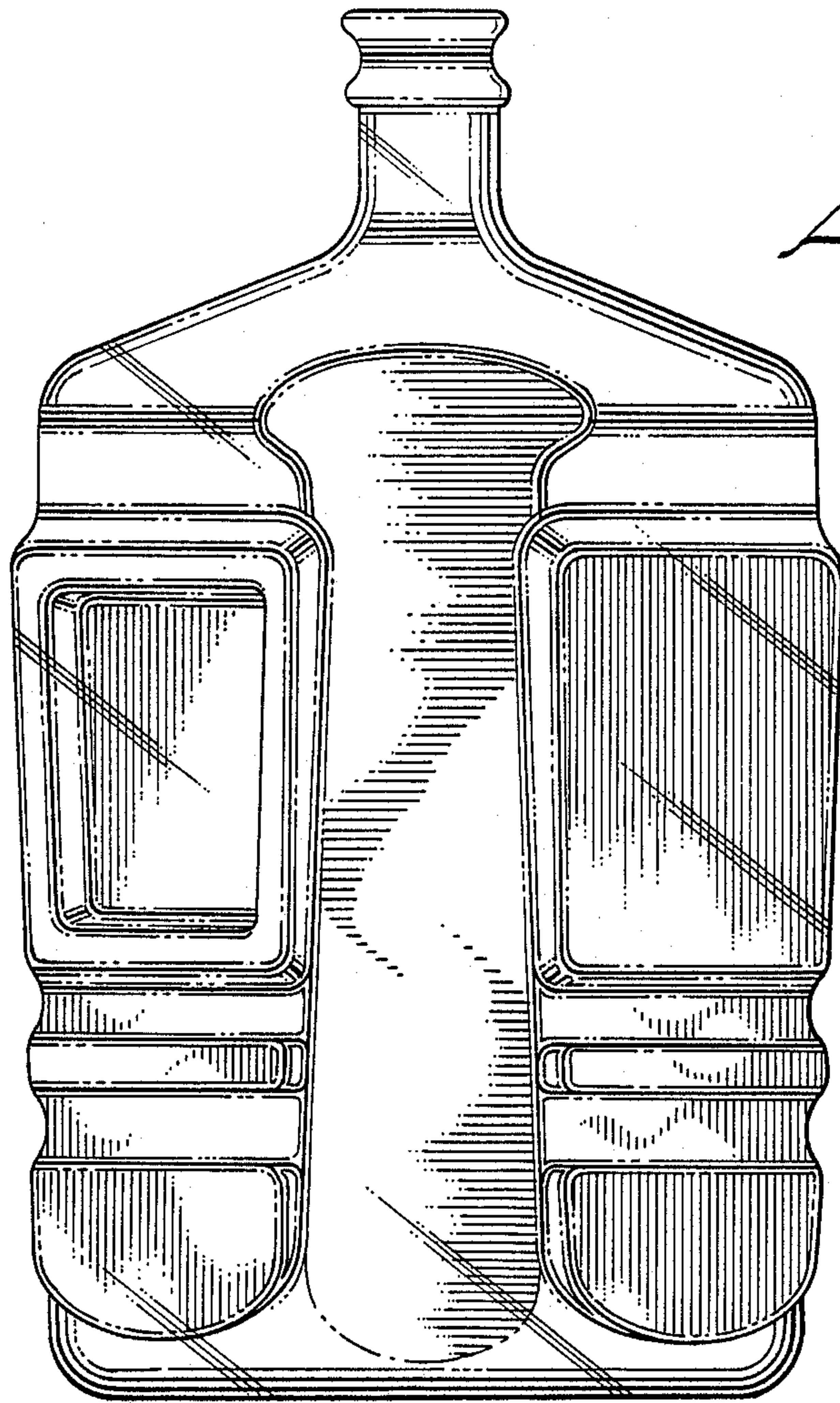


FIG. 3

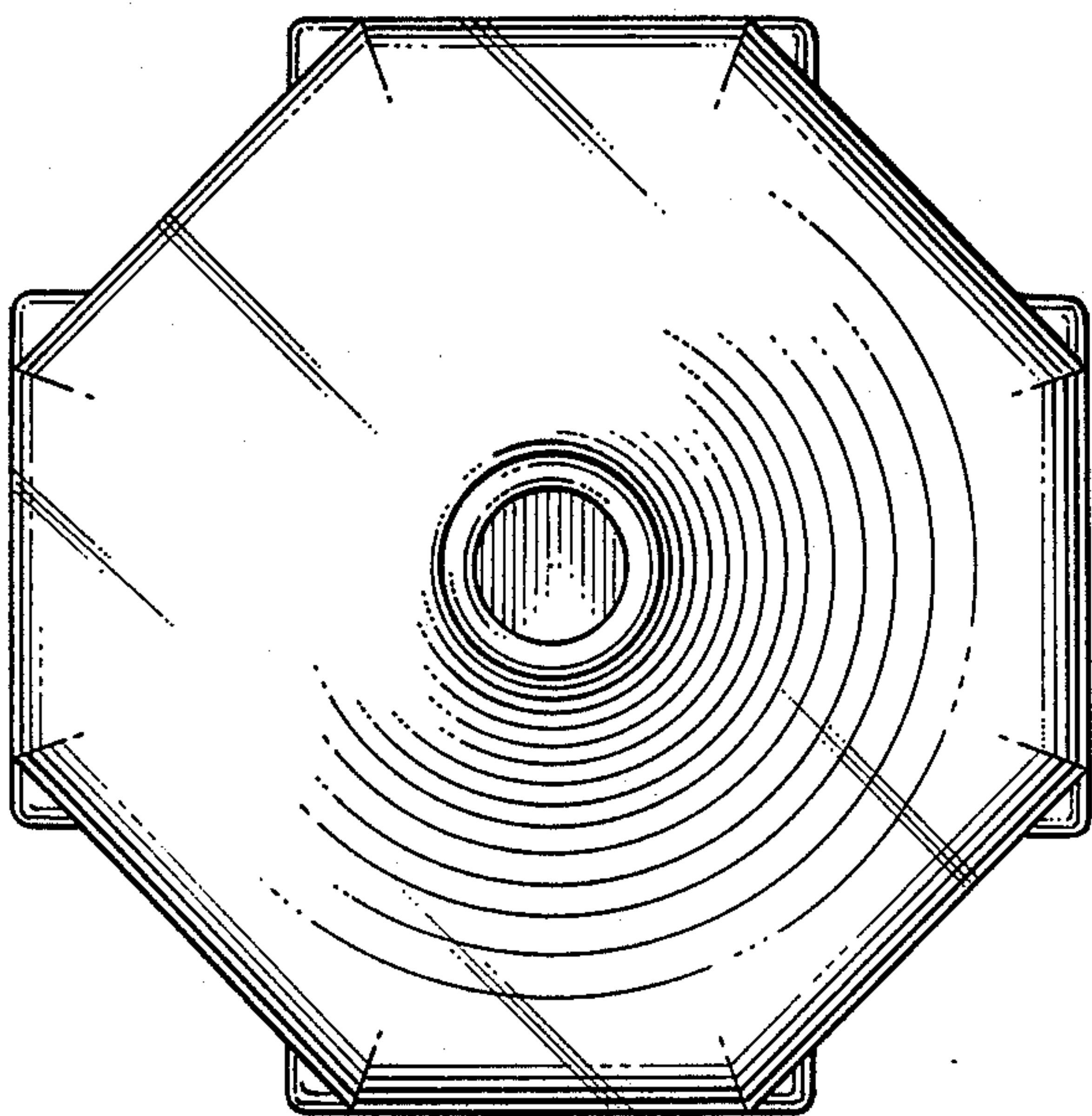


FIG. 4

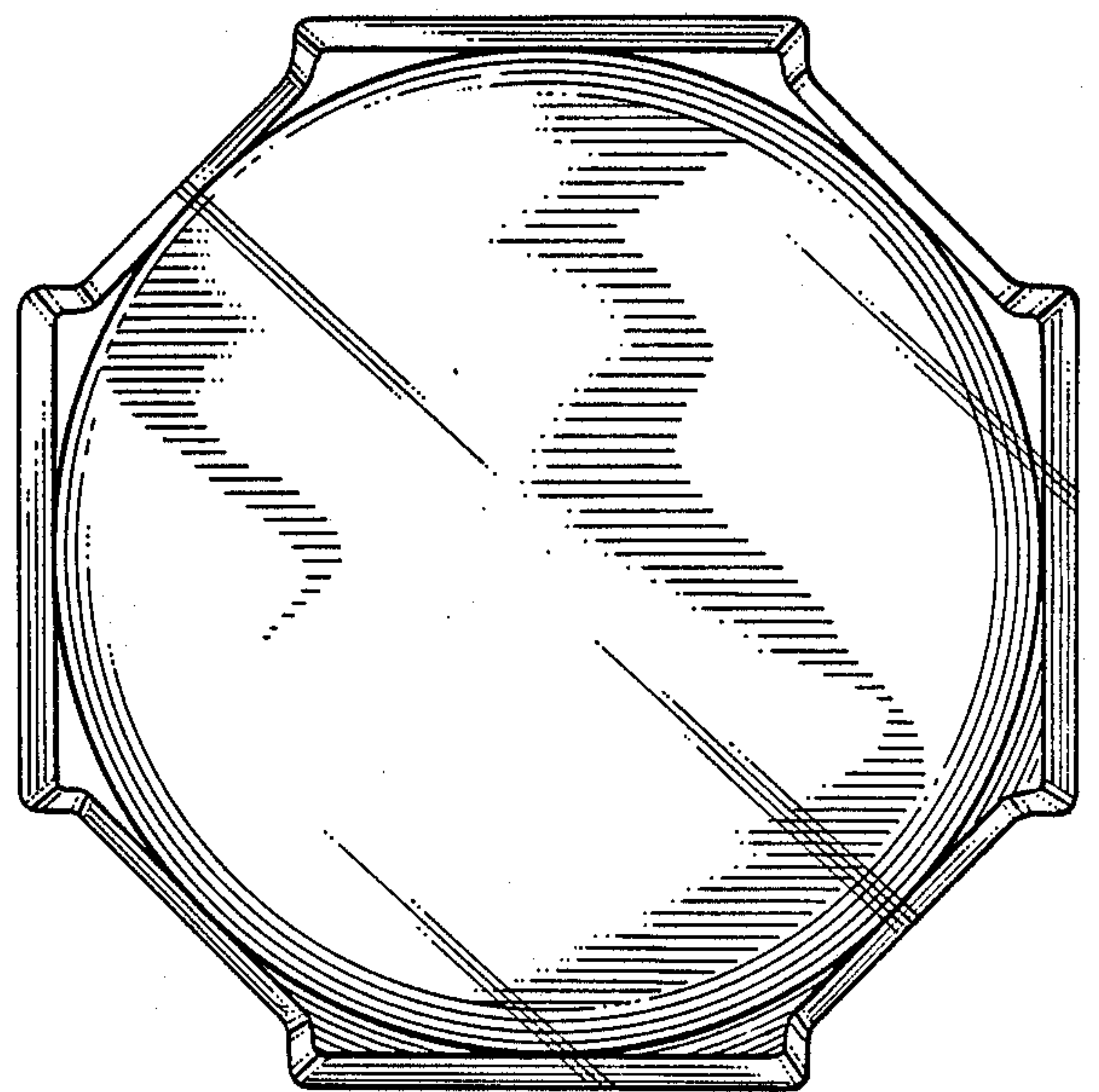


FIG. 5

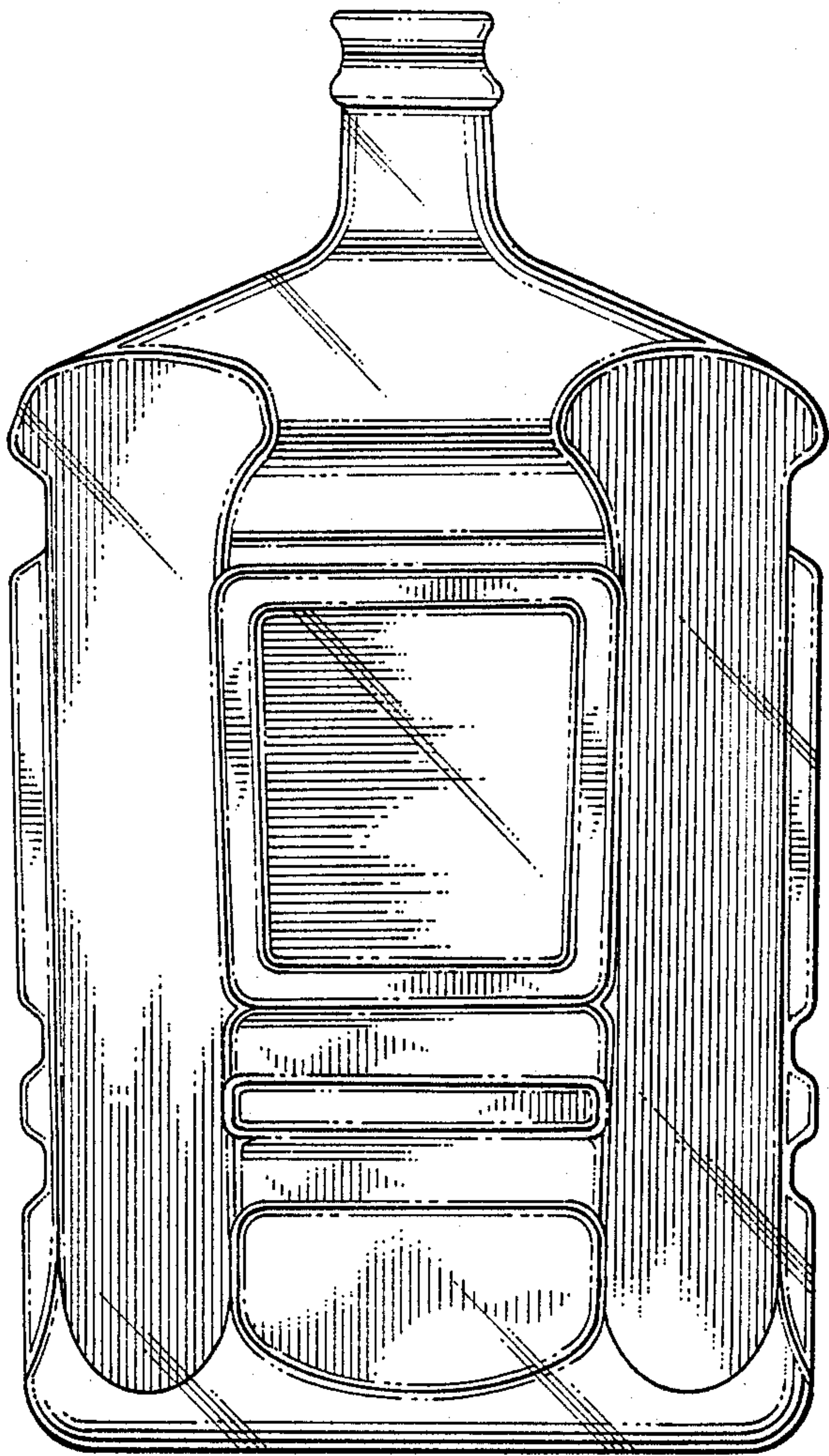


FIG. 6

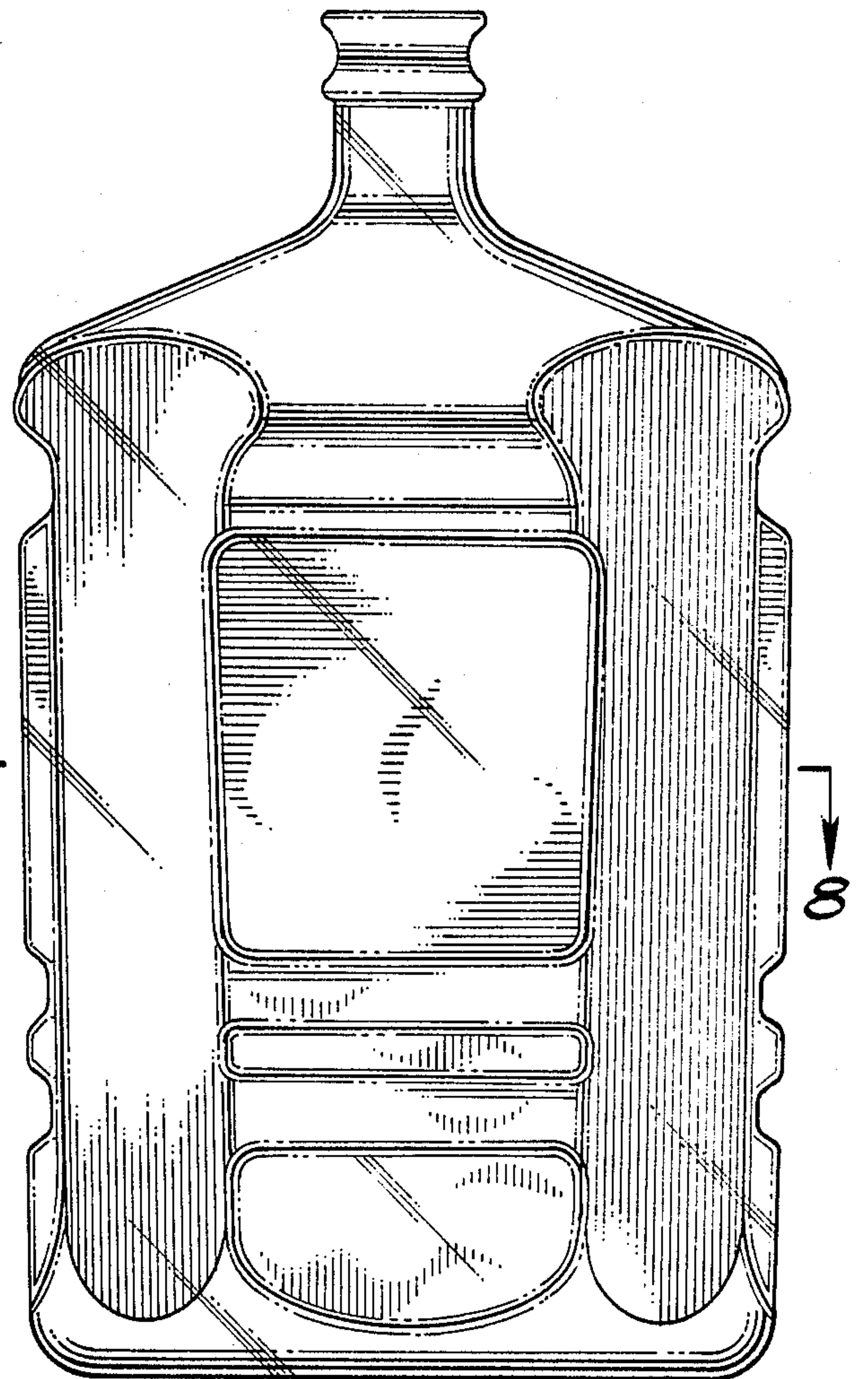
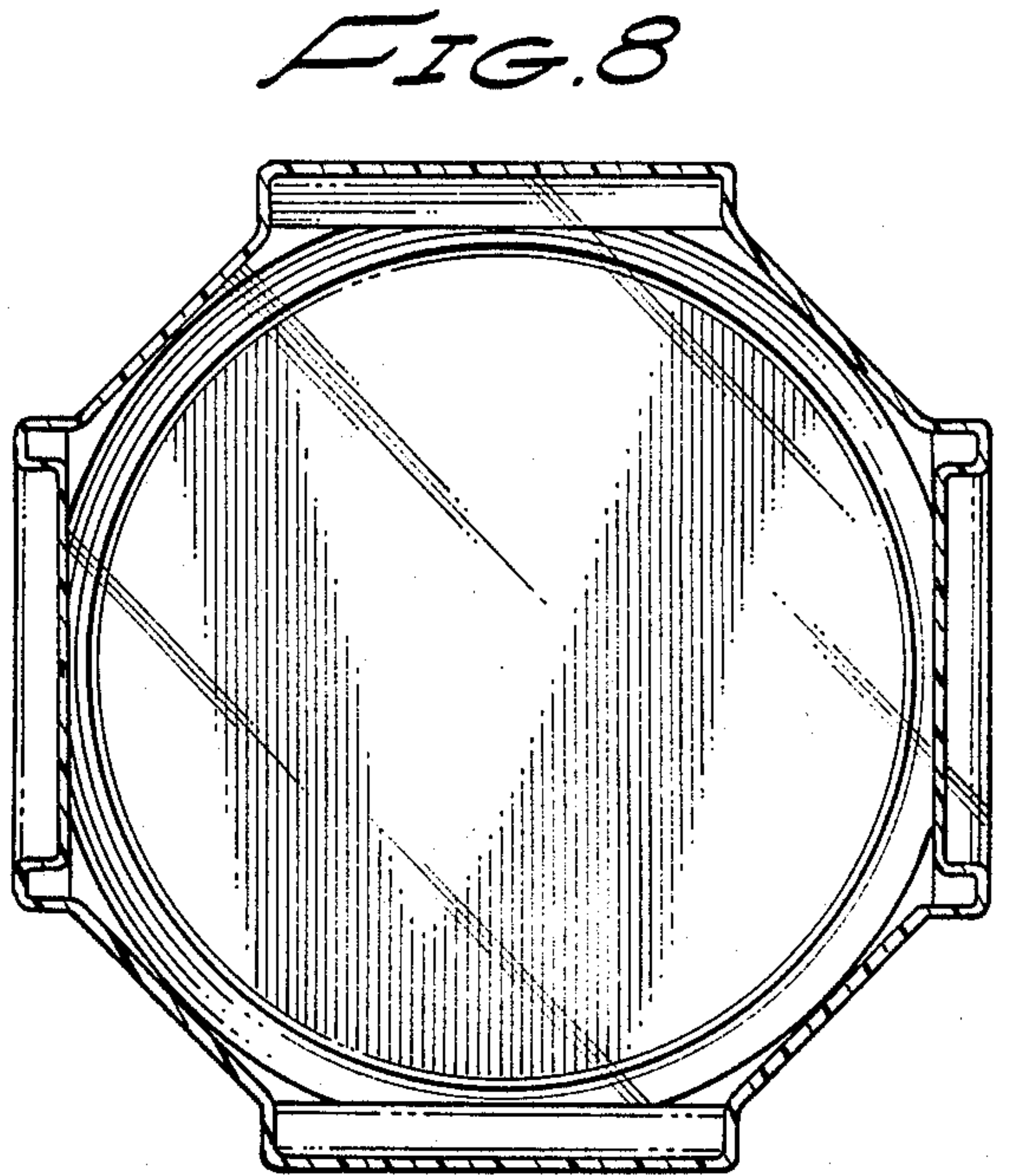


FIG. 7