

[54] WIRE STRIPPER OR THE LIKE

[75] Inventor: Richard A. Steiner, East Haddam, Conn.

[73] Assignee: Rostra Tool Company, Branford, Conn.

[**] Term: 14 Years

[21] Appl. No.: 121,734

[22] Filed: Nov. 17, 1987

[52] U.S. Cl. D8/98; D8/14; D8/51

[58] Field of Search D8/14, 51, 98; 81/9.4-9.44; 30/90.1, 90.4, 90.6, 90.7, 90.8, 91.2; 29/566.4, 758, 764

[56] References Cited

U.S. PATENT DOCUMENTS

- D. 209,420 11/1967 Snyder D8/98
- D. 245,392 8/1977 Bascom et al. D8/98

FOREIGN PATENT DOCUMENTS

- 735641 4/1943 Fed. Rep. of Germany 30/90.1
- 607389 12/1978 Switzerland 81/9.4
- 1102808 2/1968 United Kingdom 30/90.1

Primary Examiner—Bruce W. Dunkins
Assistant Examiner—Clare E. Heflin
Attorney, Agent, or Firm—John H. Crozier

[57] CLAIM

The ornamental design for a wire stripper or the like, as shown and described.

DESCRIPTION

FIG. 1 is a perspective view of the wire stripper or the like showing my new design;
FIG. 2 is a top plan view thereof;
FIG. 3 is a front elevational view thereof;
FIG. 4 is a right side elevational view thereof, the left side being identical;
FIG. 5 is a rear elevational view thereof;
FIG. 6 is a bottom plan view thereof;

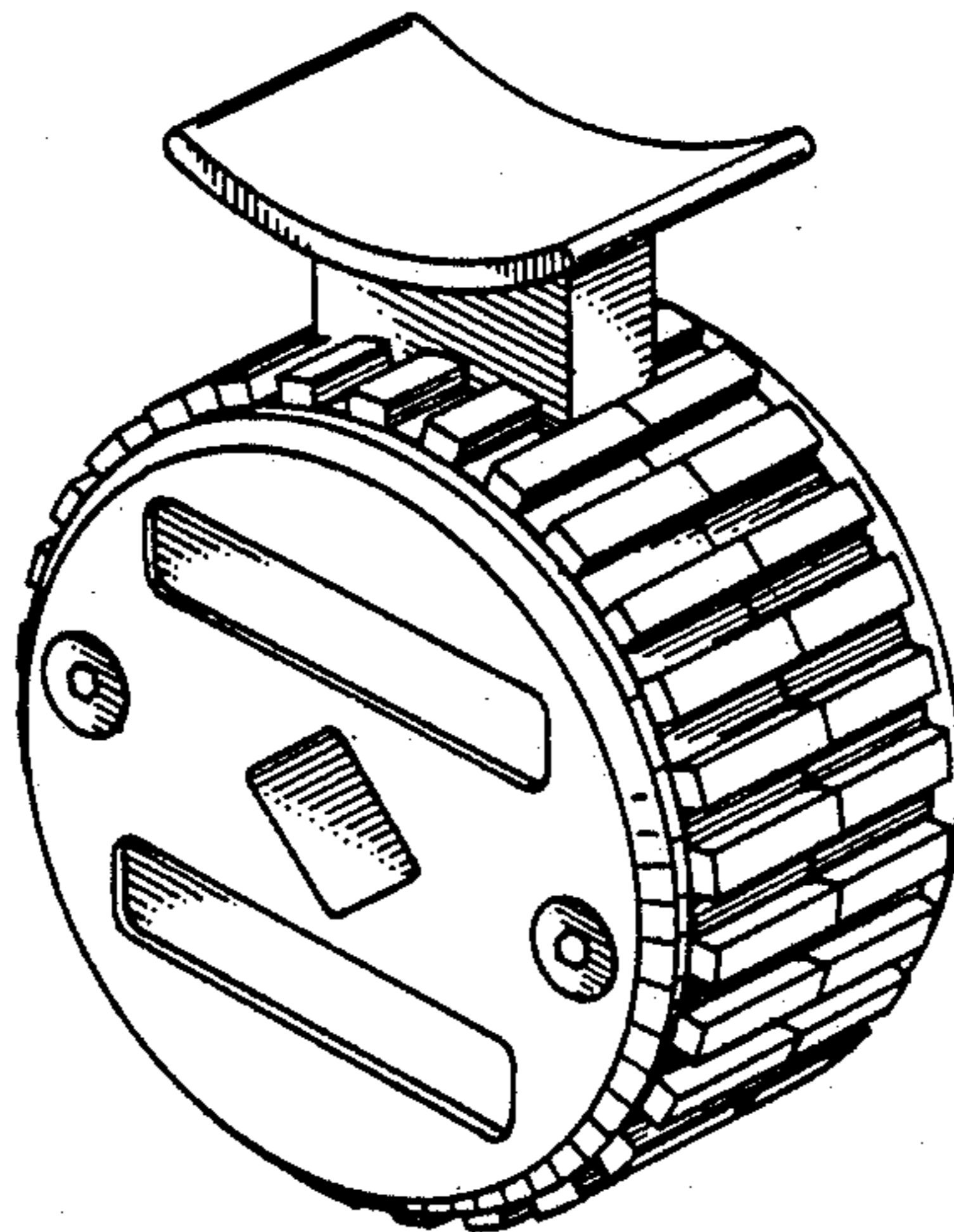


FIG. 1

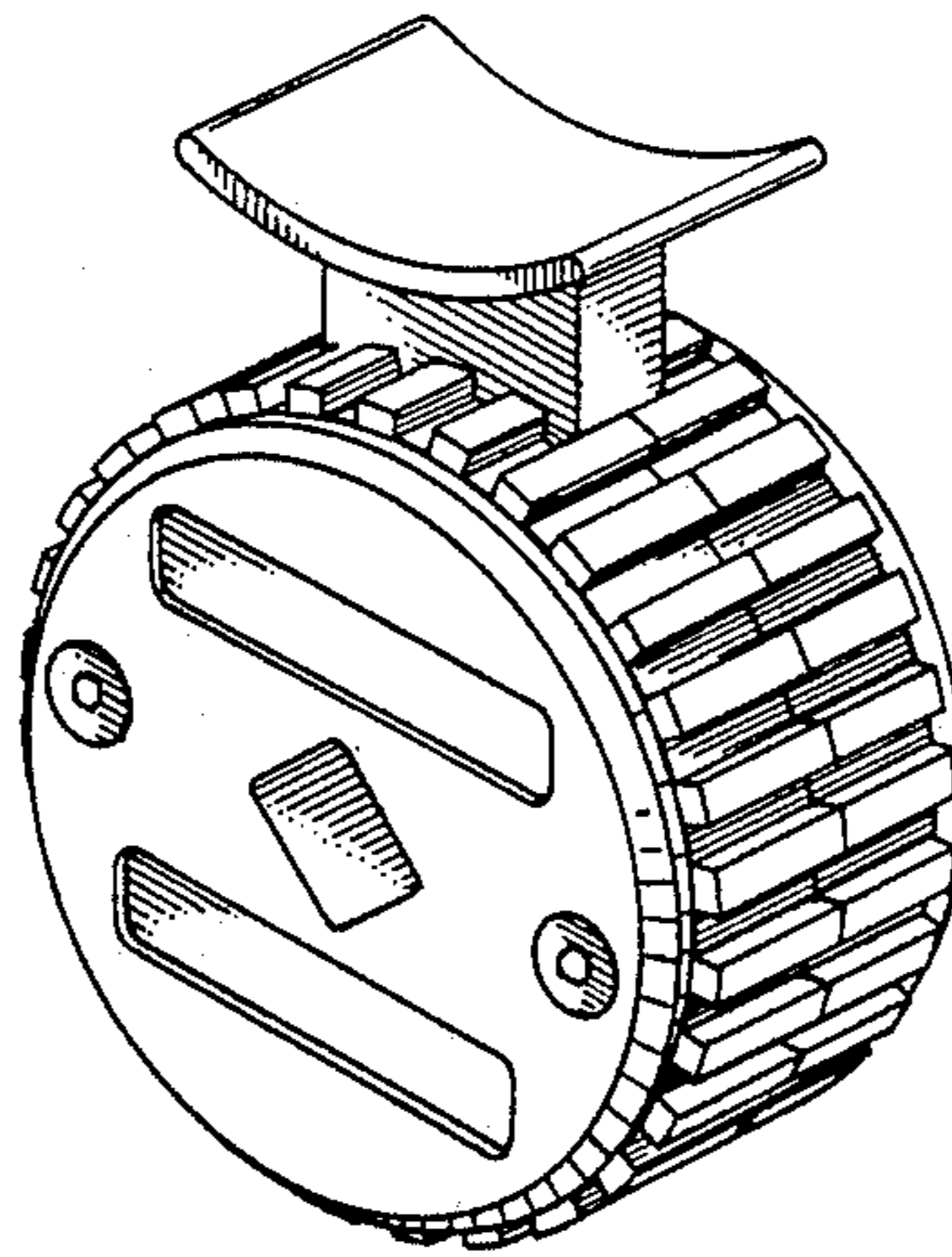


FIG. 2

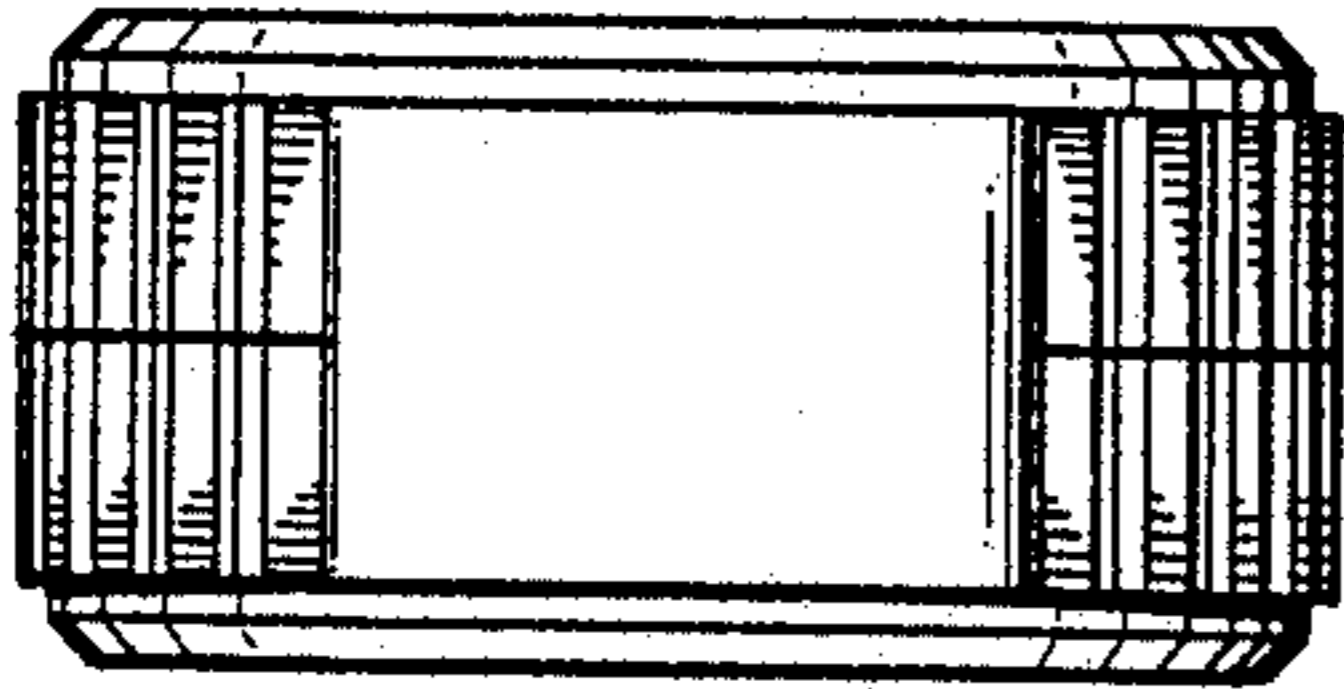


FIG. 3

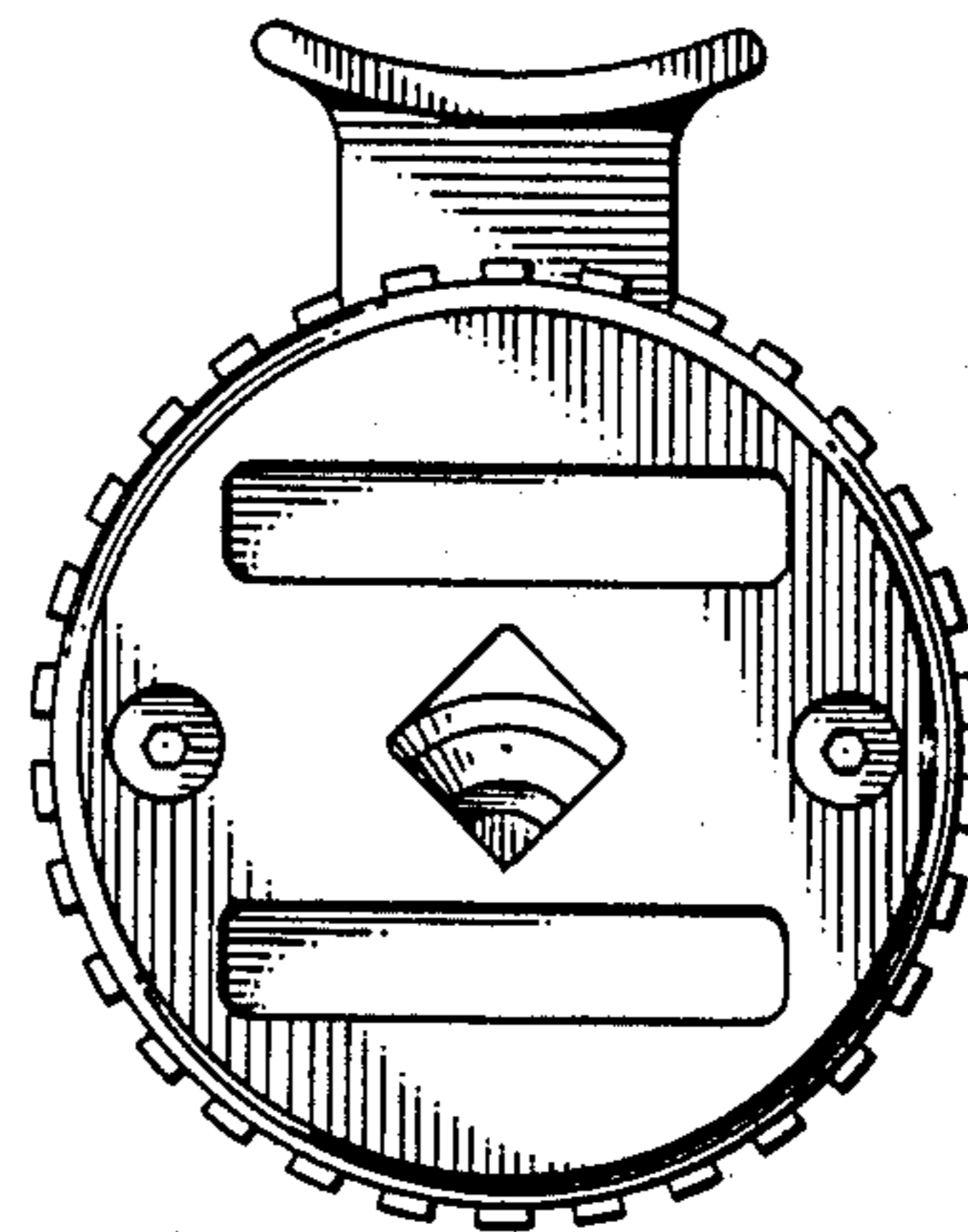


FIG. 4

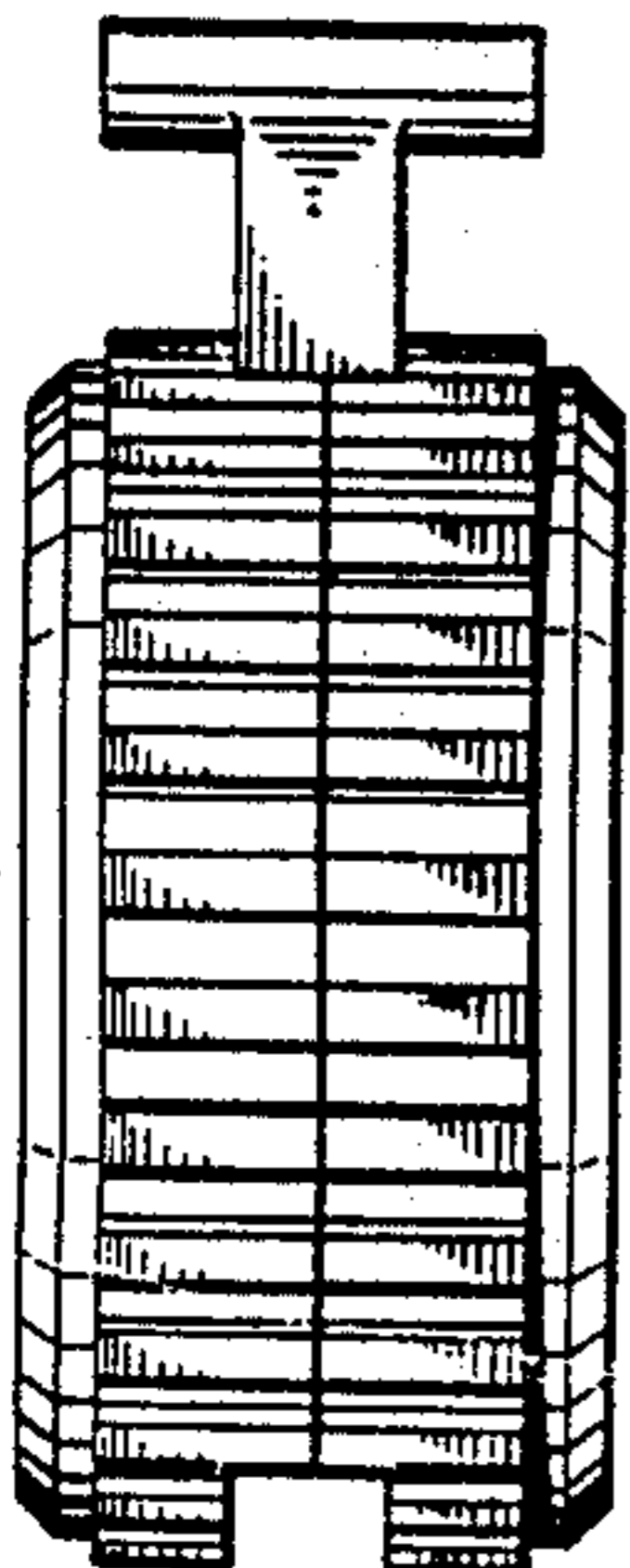


FIG. 5

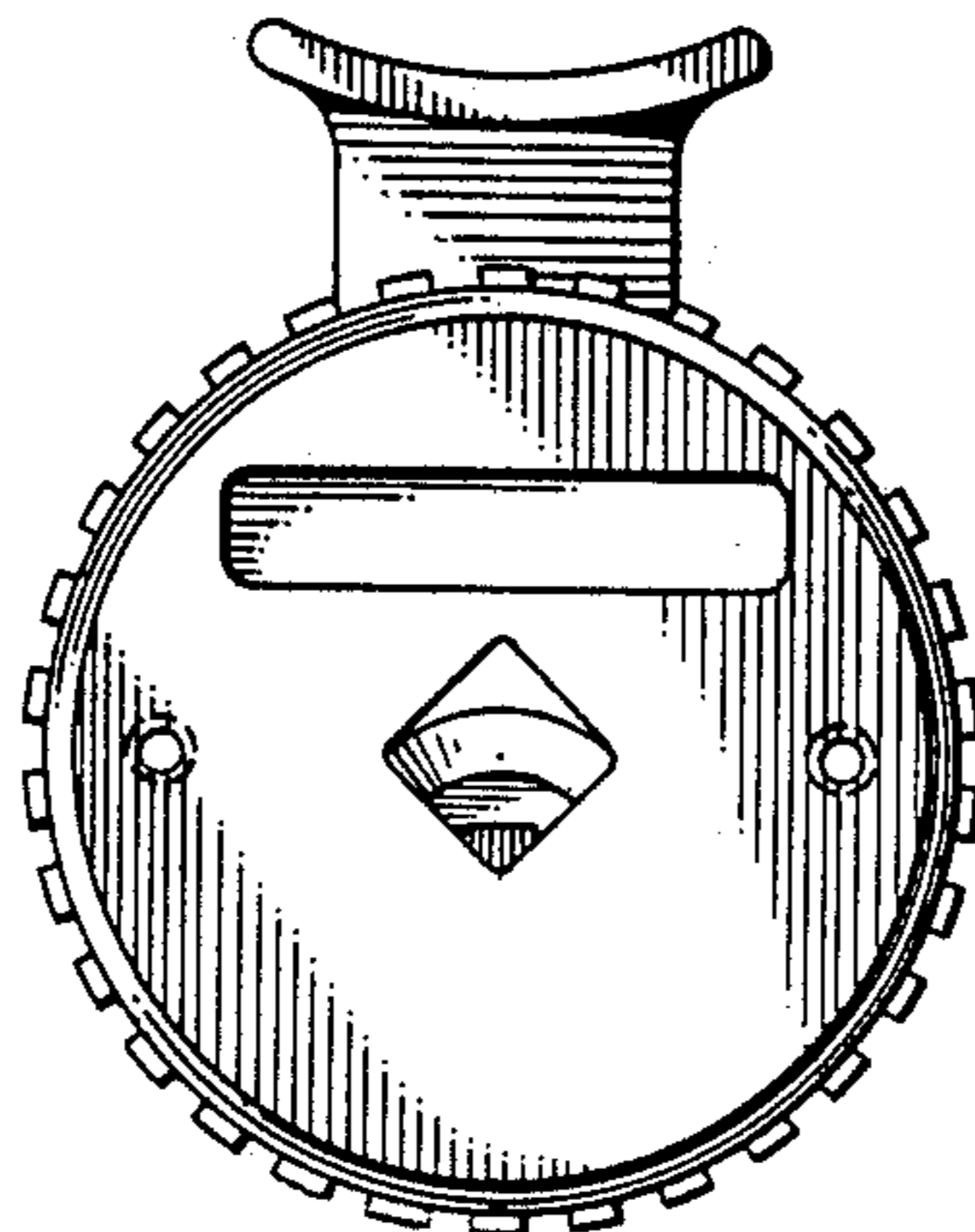


FIG. 6

