

[54] SHELF

[75] Inventors: Milton E. Handler, Northbrook; Michael Peterson, Evanston, both of Ill.

[73] Assignee: Hirsh Company, Skokie, Ill.

[**] Term: 14 Years

[21] Appl. No.: 16,238

[22] Filed: Feb. 19, 1987

[52] U.S. Cl. D6/574

[58] Field of Search D6/512, 553, 555, 567, D6/574; 108/149, 28, 55.3; 211/13, 69, 70.6, 88, 126, 134; 248/678

[56] References Cited

U.S. PATENT DOCUMENTS

D. 234,066	1/1975	Wallace	D6/569
D. 251,819	5/1979	Nuttall et al.	D6/569
D. 294,548	3/1988	Wallace	D6/569 X
D. 294,668	3/1988	Handler	D6/570

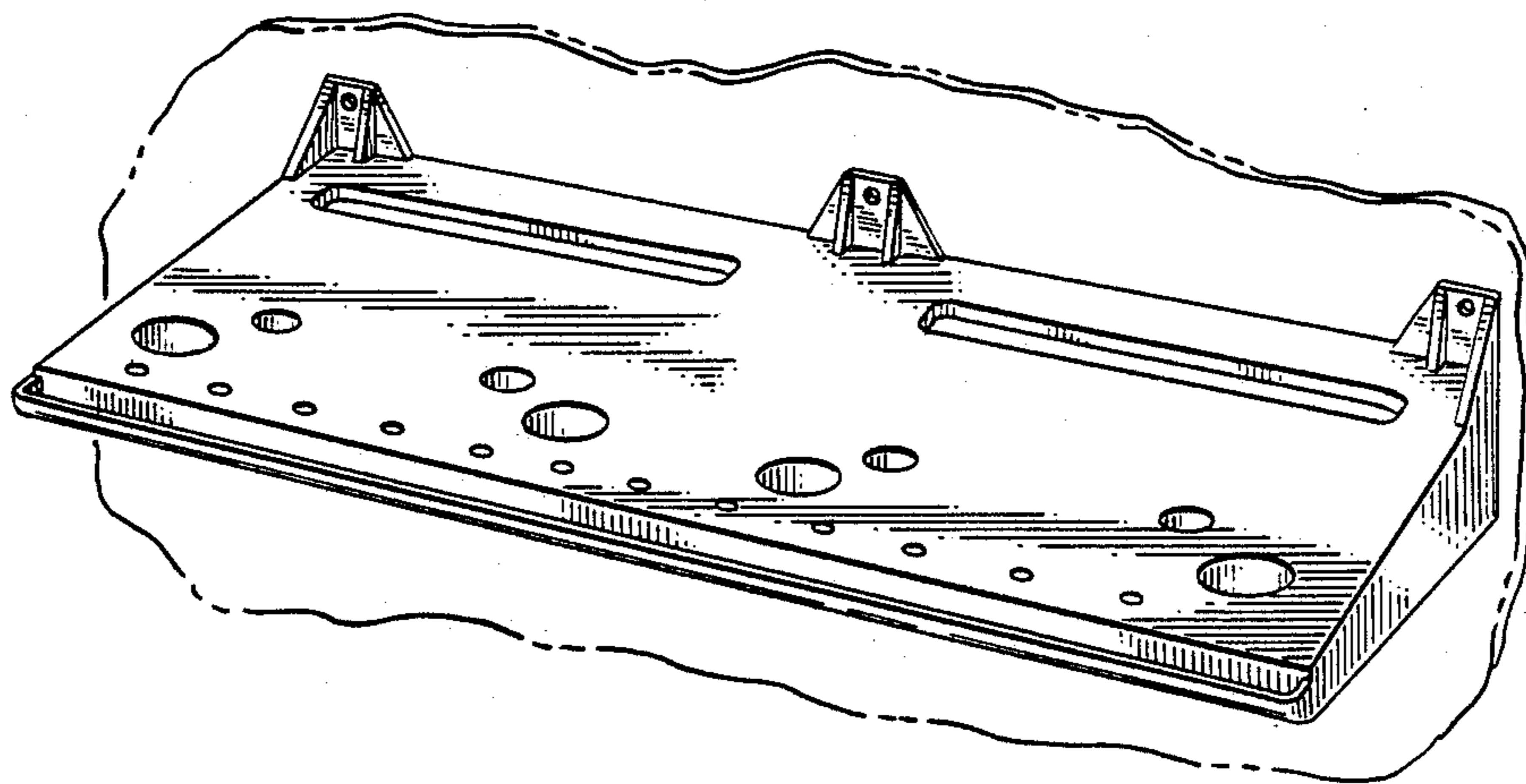
Primary Examiner—Wallace R. Burke
Assistant Examiner—Brian N. Vinson
Attorney, Agent, or Firm—Dressler, Goldsmith, Shore, Sutker & Milnamow, Ltd.

[57] CLAIM

The ornamental design for a shelf, as shown and described.

DESCRIPTION

FIG. 1 is a perspective view of a shelf showing our new design;
FIG. 2 is a right side elevational view thereof, the left side being a mirror image of that shown;
FIG. 3 is a top plan view thereof;
FIG. 4 is a front elevational view thereof;
FIG. 5 is a bottom plan view thereof; and
FIG. 6 is an enlarged vertical cross-sectional view thereof, taken in the direction of line 6—6 of FIG. 3. The broken line illustrations of a segment of a wall in FIG. 1 and of the bottom portion in FIGS. 4-6 are intended for illustrative purposes only and form no part of the claimed design.



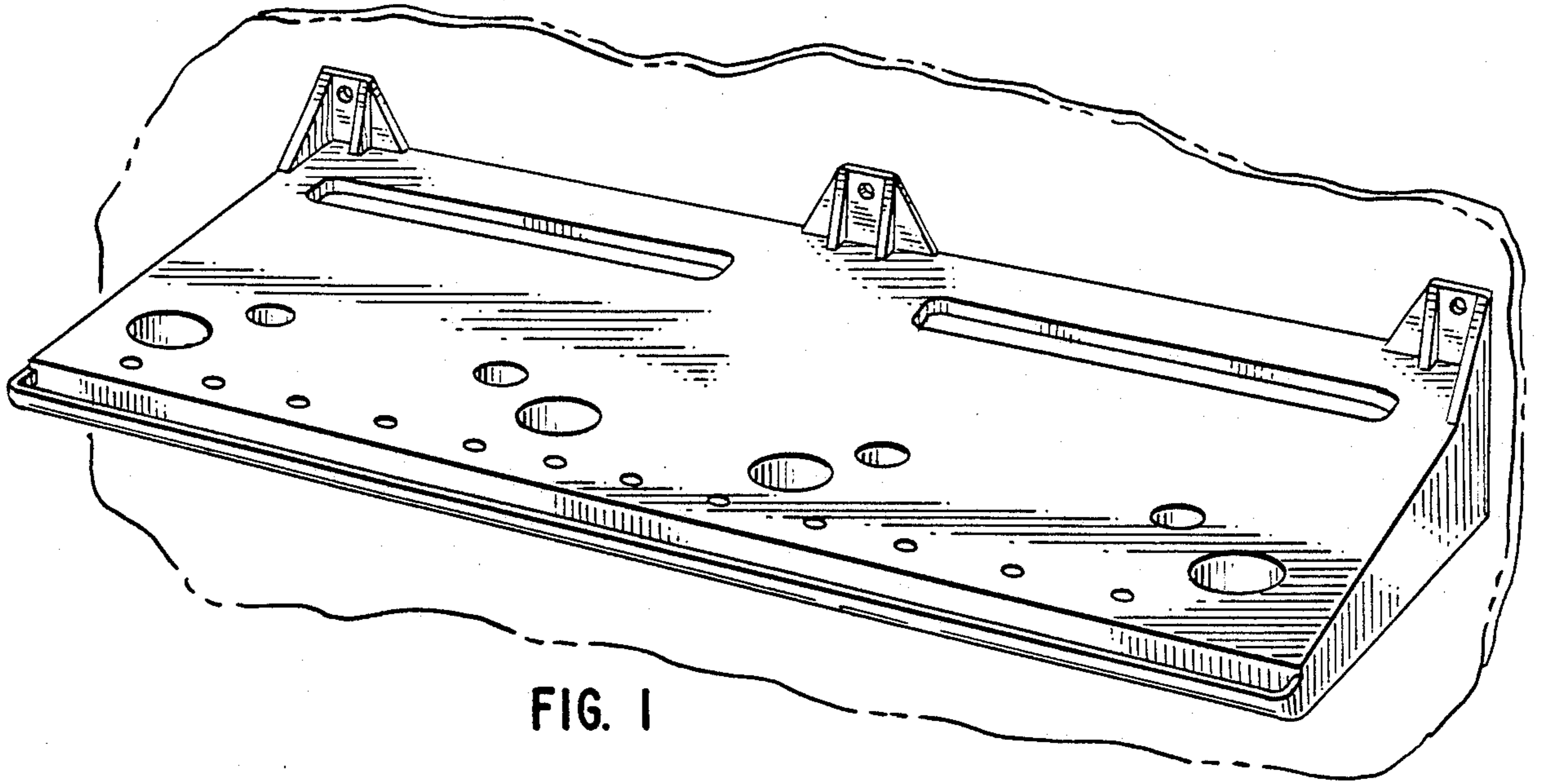


FIG. 1

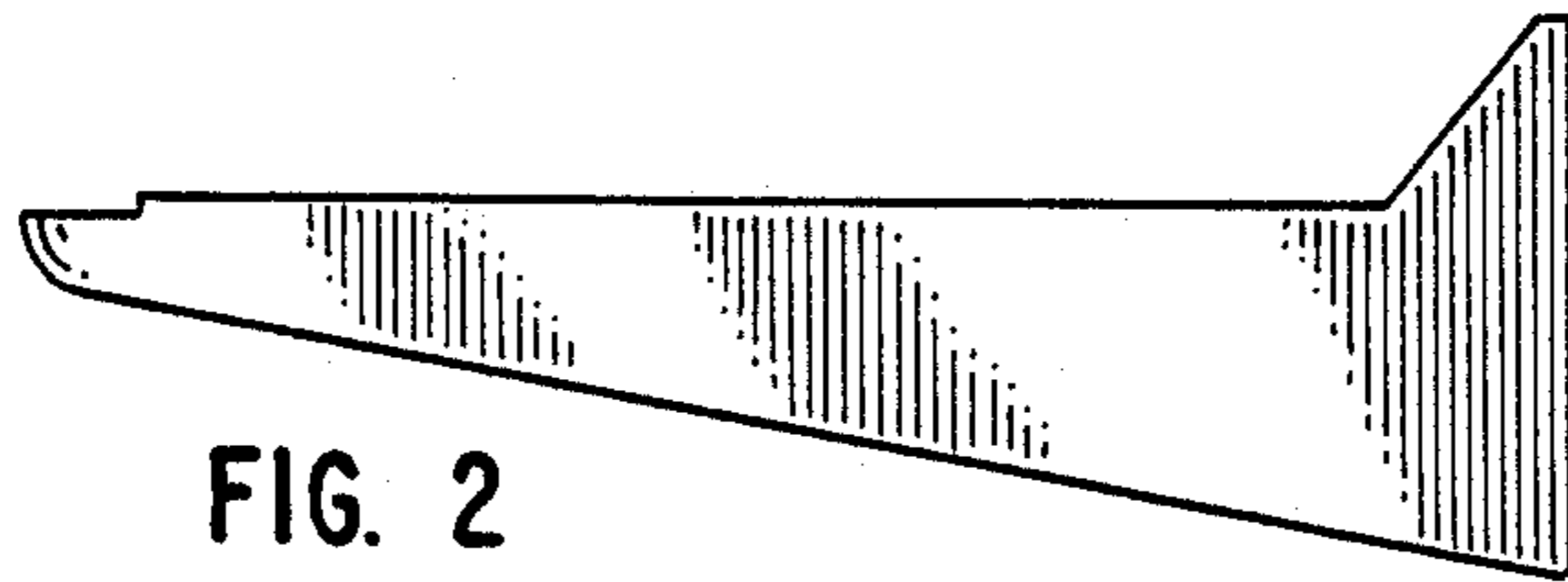


FIG. 2

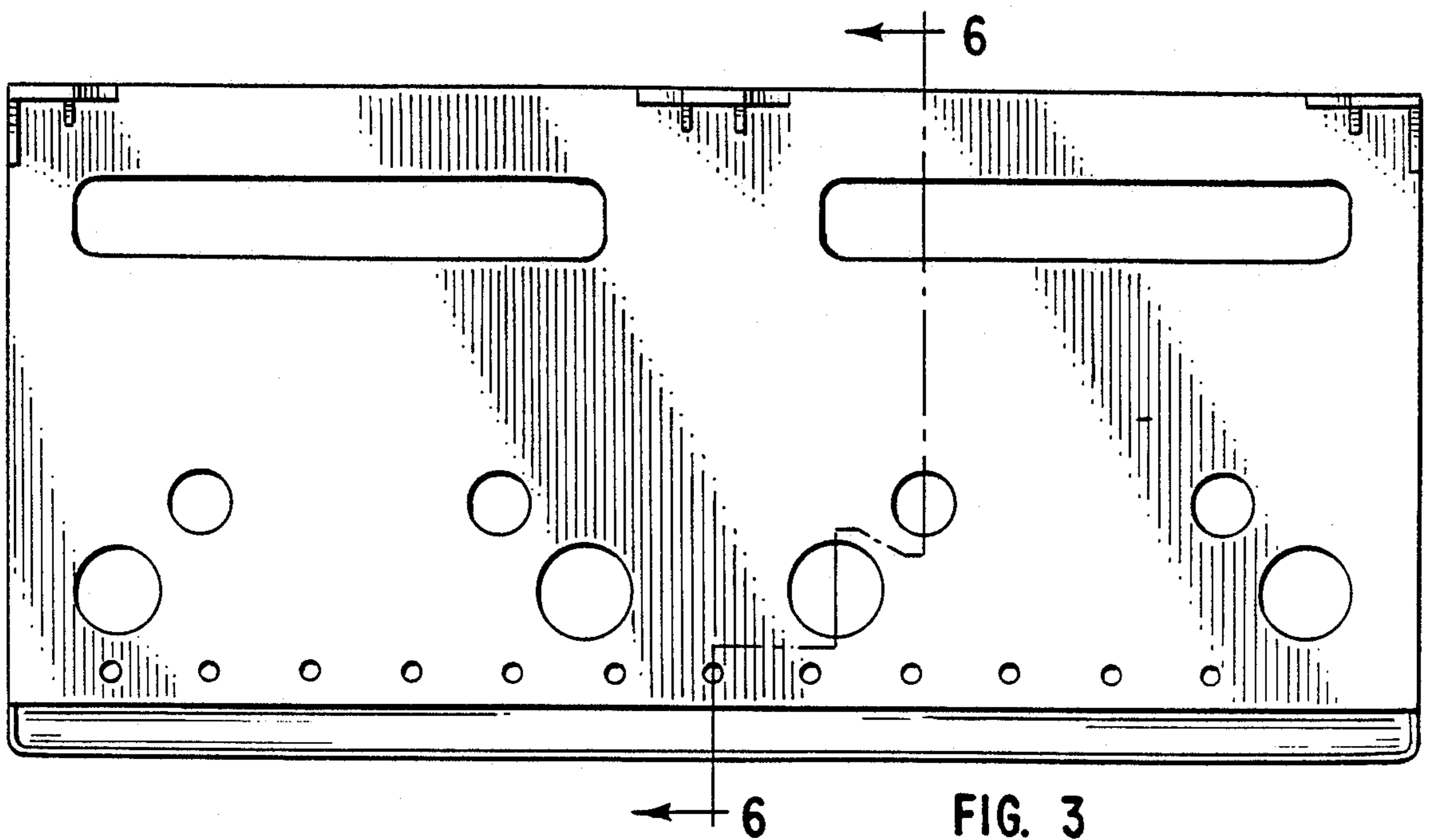


FIG. 3

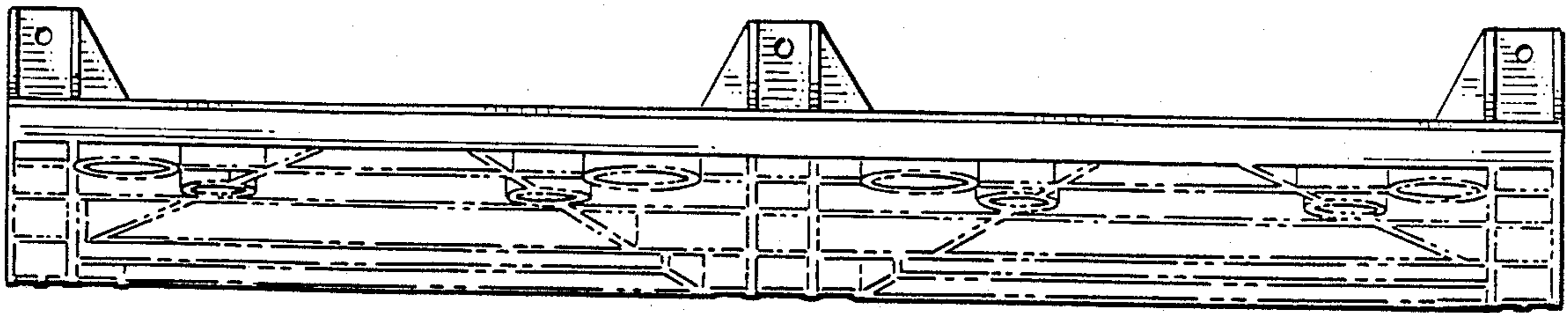


FIG. 4

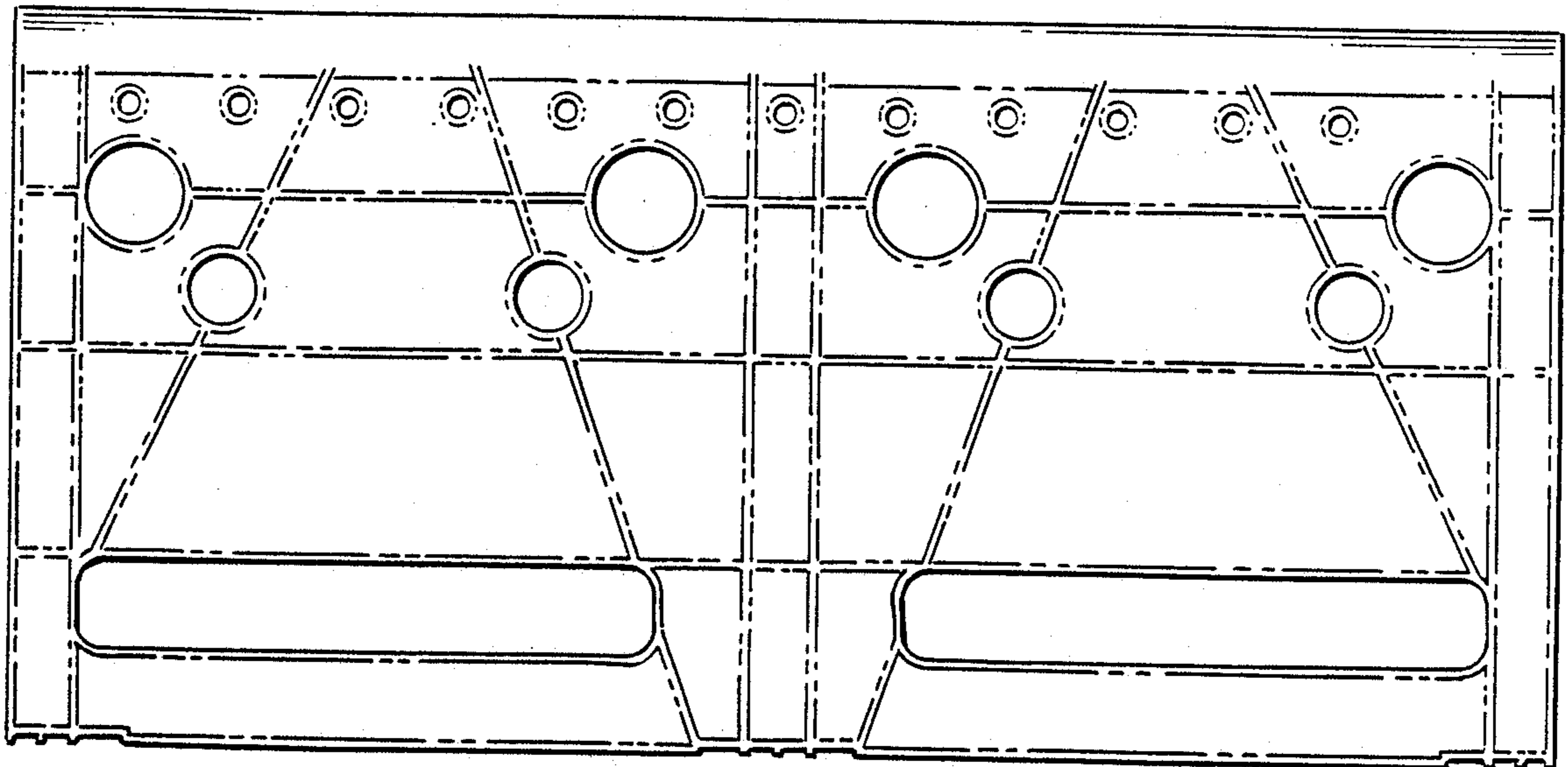


FIG. 5

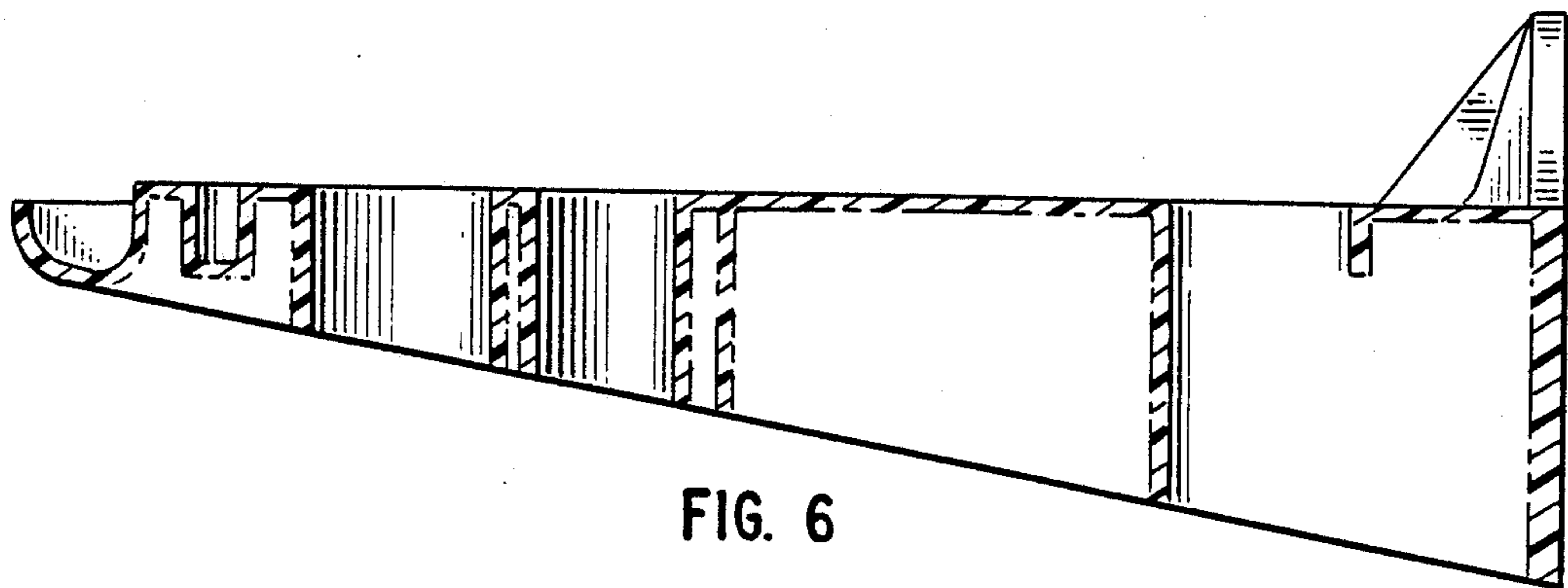


FIG. 6