

[54] **BINOCULAR PROTECTIVE COVER**

[76] **Inventor: Ray L. Winstead, R.D. #1, Box 263,
Penn Run, Pa. 15765**

[**] **Term: 14 Years**

[21] **Appl. No.: 814,038**

[22] **Filed: Dec. 27, 1985**

[52] **U.S. Cl. D3/33**

[58] **Field of Search D3/33, 30.1; 150/52 J;
224/909**

[56] **References Cited**

U.S. PATENT DOCUMENTS

D. 271,540 11/1983 Williams D3/33
2,907,363 10/1959 Valette 150/52 J

Primary Examiner—Bernard Ansher
Assistant Examiner—Terry Pfeffer
Attorney, Agent, or Firm—Terry M. Gernstein

[57] **CLAIM**

The ornamental design for a binocular protective cover,
as shown and described.

DESCRIPTION

FIG. 1 is a front and top isometric view of a binocular protective cover showing my new design;
FIG. 2 is a left side elevational view thereof;
FIG. 3 is a bottom plan view thereof; and
FIG. 4 is a rear and bottom isometric view thereof.

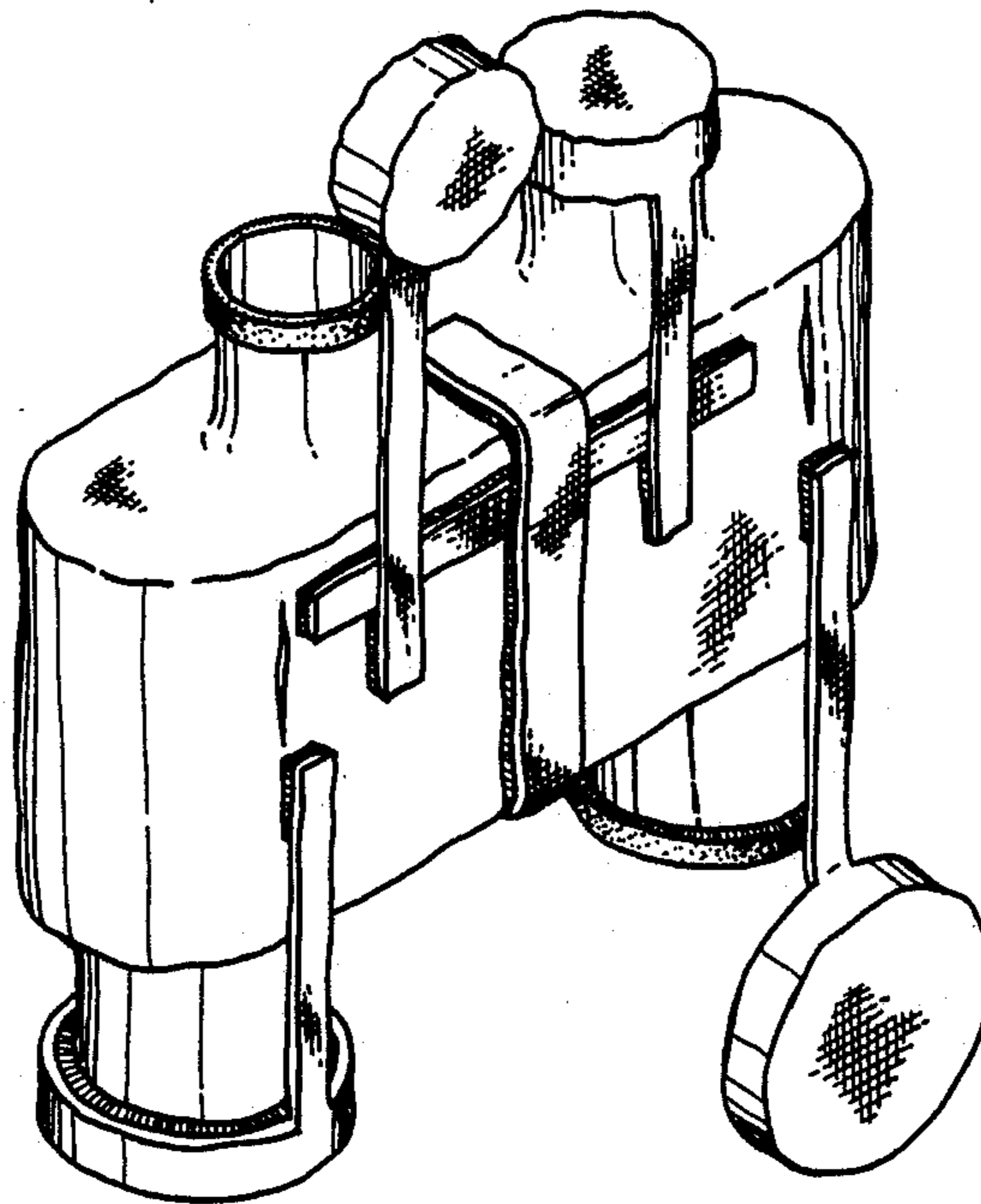


Fig. 1

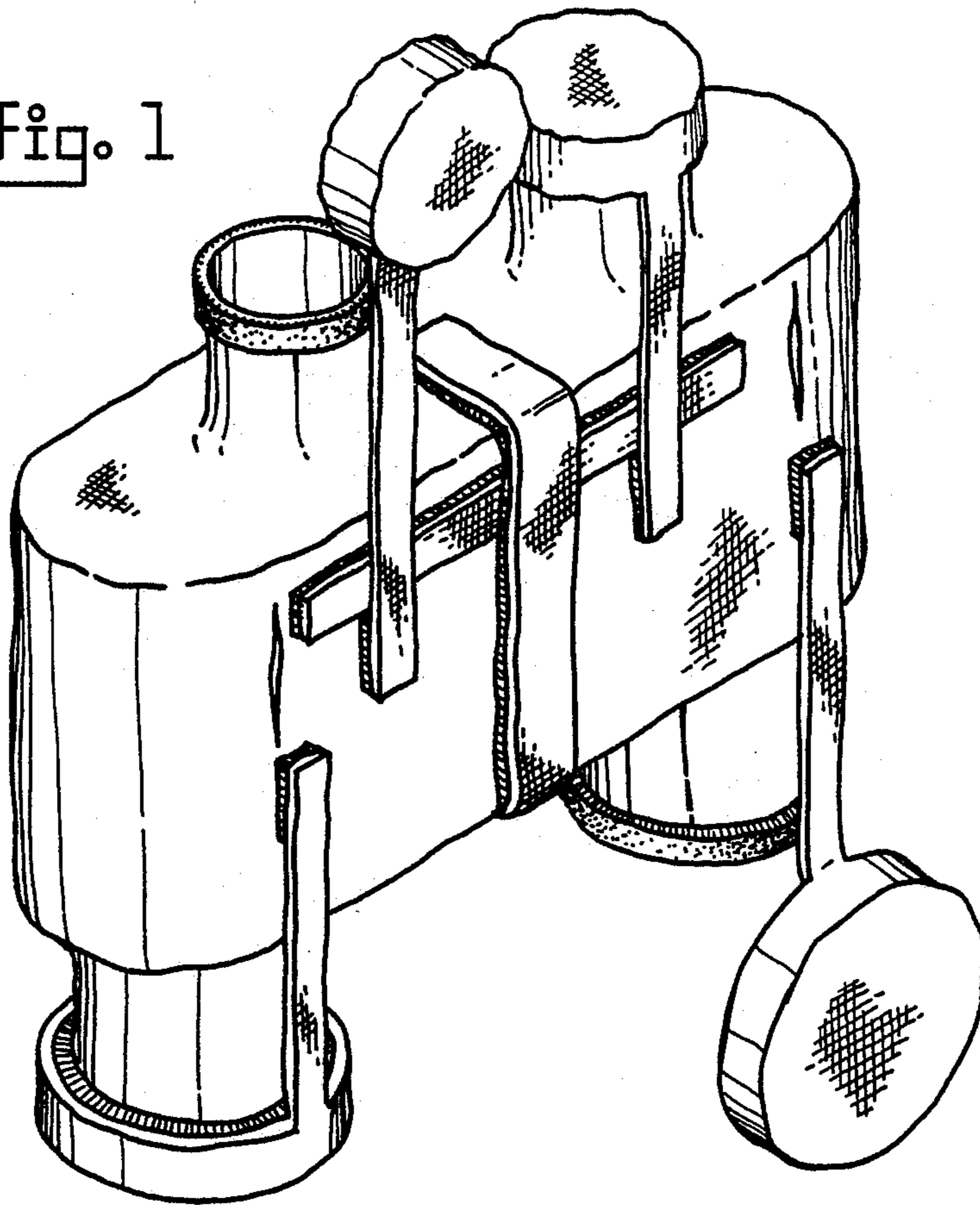
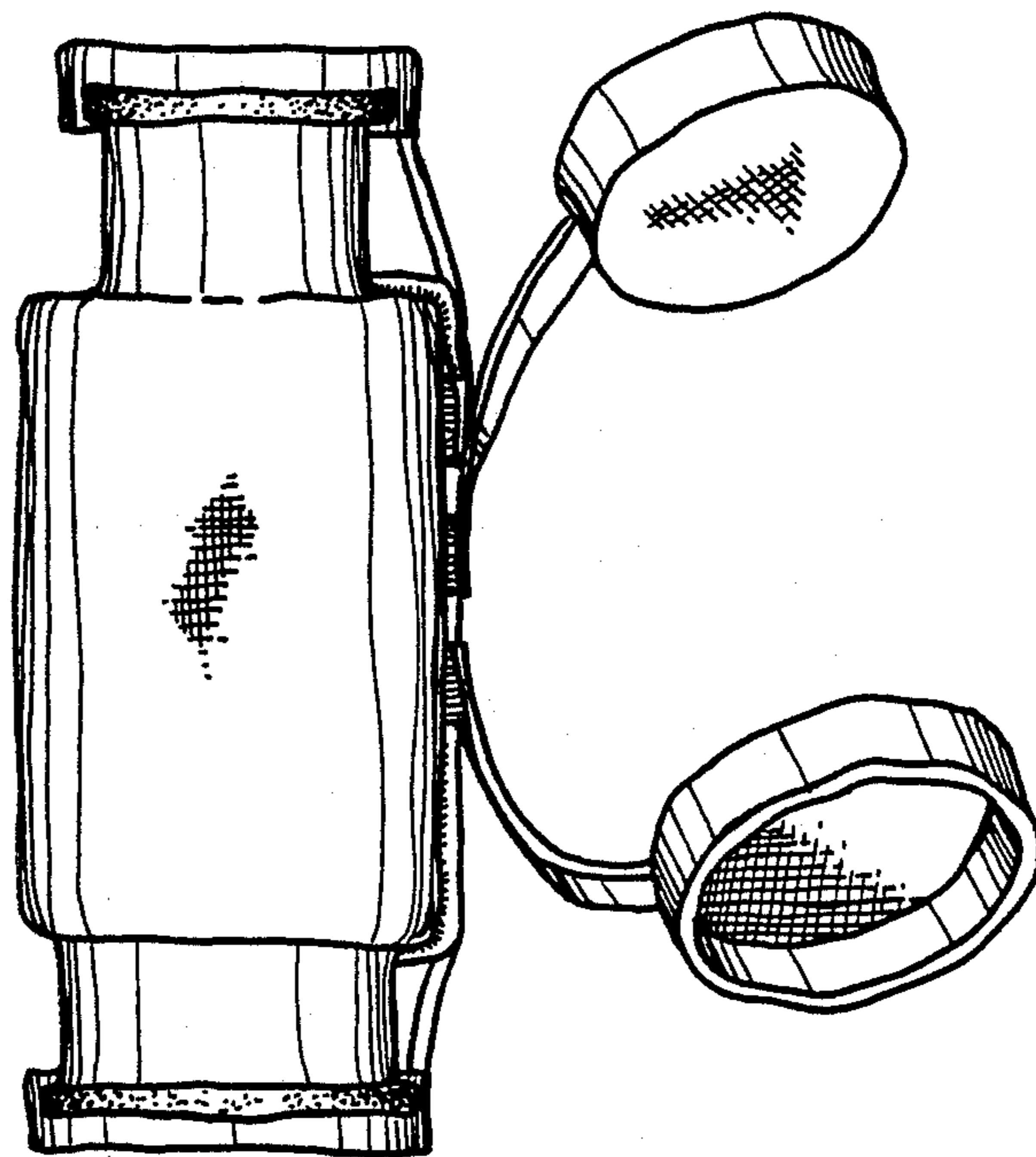


Fig. 2



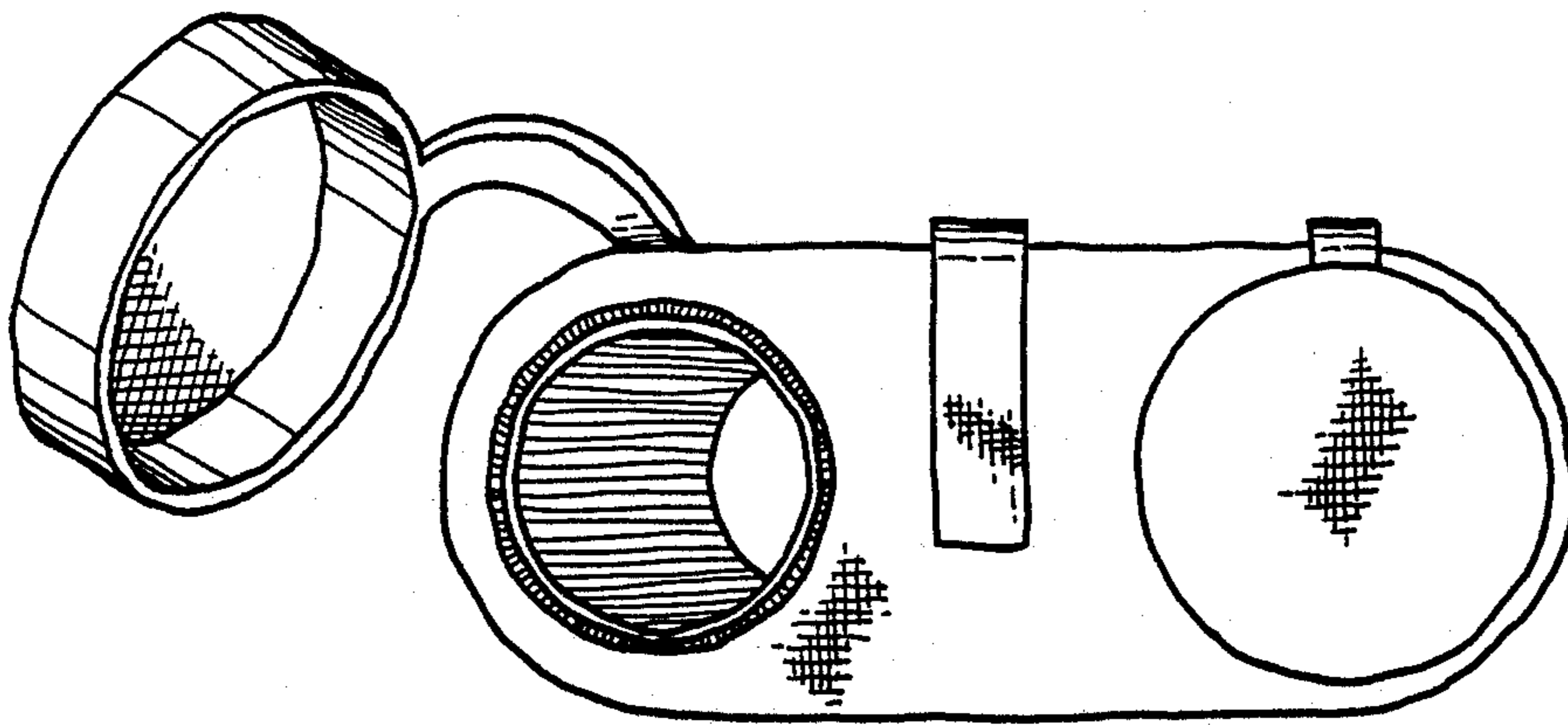


Fig. 3

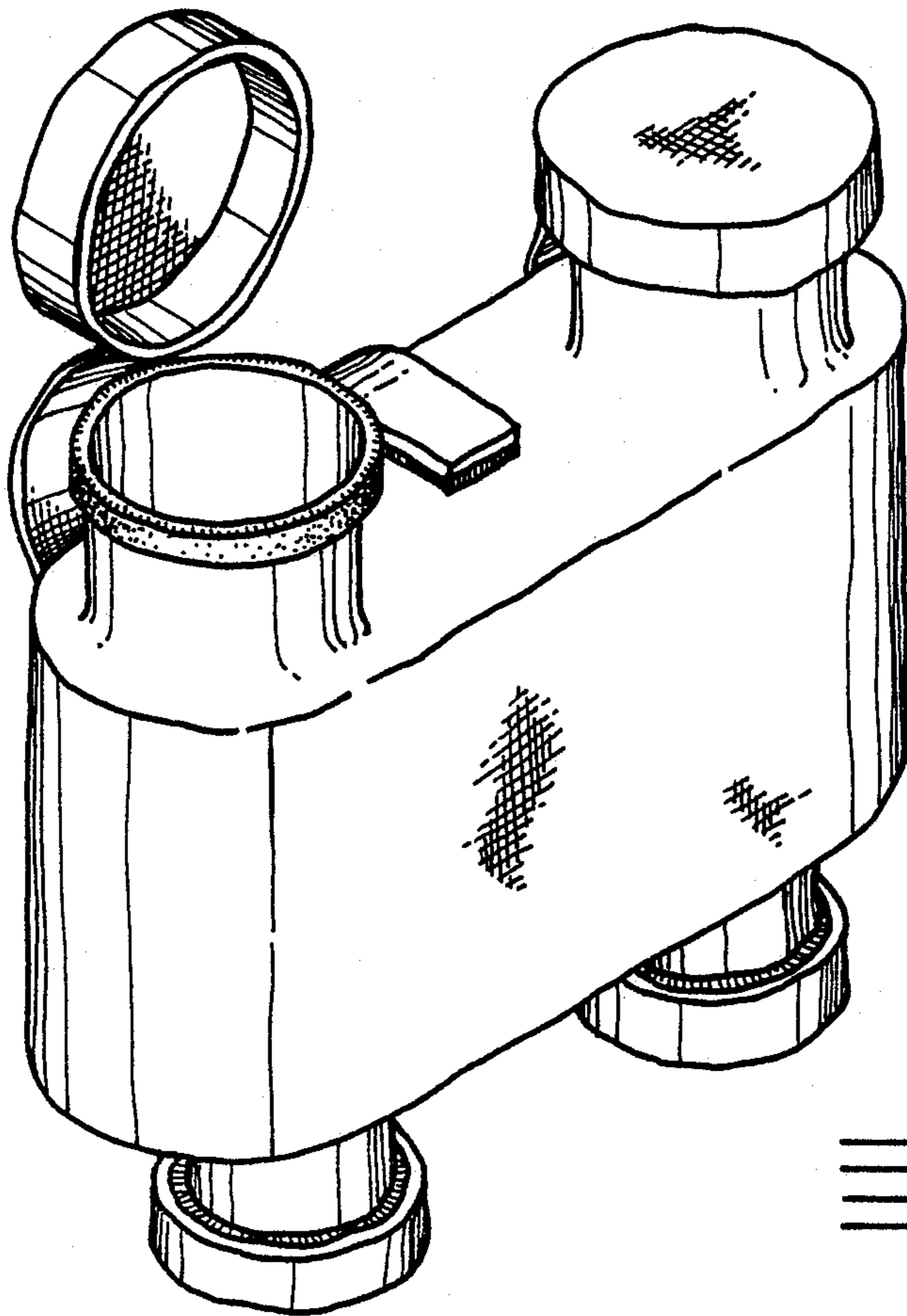


Fig. 4