

United States Patent [19]

Hoshino et al.

[11] Patent Number: **Des. 299,679**

[45] Date of Patent: **** Jan. 31, 1989**

[54] **FISHING REEL HANDLE**

D. 291,473 8/1987 Nakamura D22/140

[75] Inventors: **Kiyoshi Hoshino; Teruhisa Numata,**
both of Tokyo, Japan

Primary Examiner—A. Hugo Word
Attorney, Agent, or Firm—Sughrue, Mion, Zinn,
Macpeak & Seas

[73] Assignee: **Ryobi Ltd., Hiroshima, Japan**

[**] Term: **14 Years**

[57] **CLAIM**

[21] Appl. No.: **934,082**

The ornamental design for a fishing reel handle, as shown and described.

[22] Filed: **Nov. 24, 1986**

DESCRIPTION

[52] U.S. Cl. **D22/140**

[58] Field of Search **D22/140; 242/84.1 R,**
242/84.2 R, 84.2 J

FIG. 1 is a side elevational view of a fishing reel handle showing our new design, the opposite side being a mirror image thereof;

FIG. 2 is a front elevational view thereof;

FIG. 3 is a rear elevational view thereof; and

FIG. 4 is a top plan view thereof, the bottom being a mirror image thereof.

[56] **References Cited**

U.S. PATENT DOCUMENTS

D. 290,635 6/1987 Nakamura D22/140

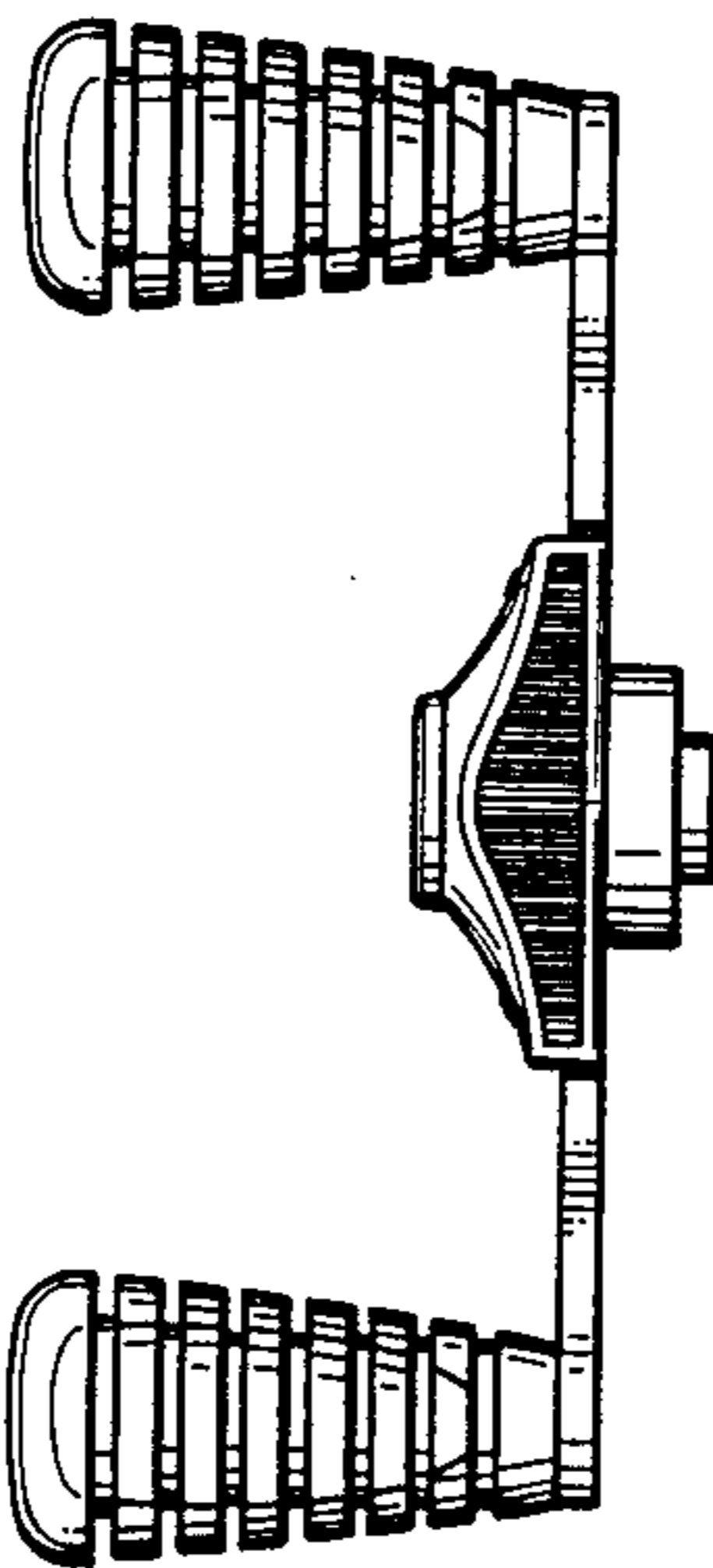


Fig. 1

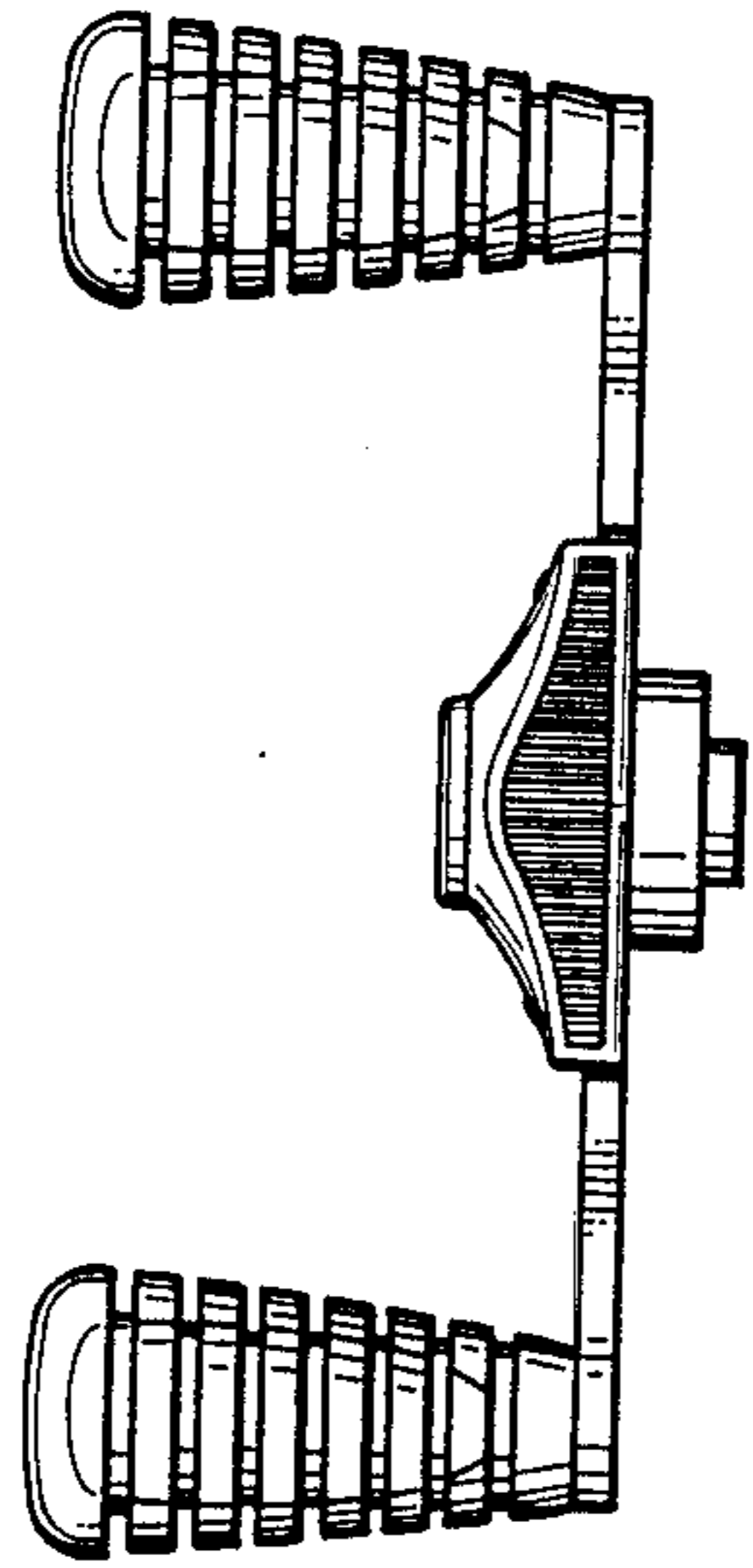


Fig. 2

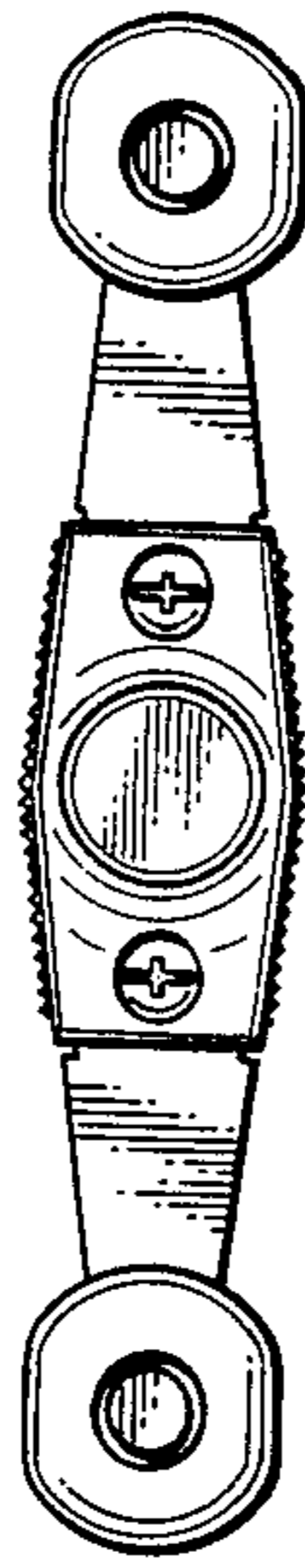


Fig. 3

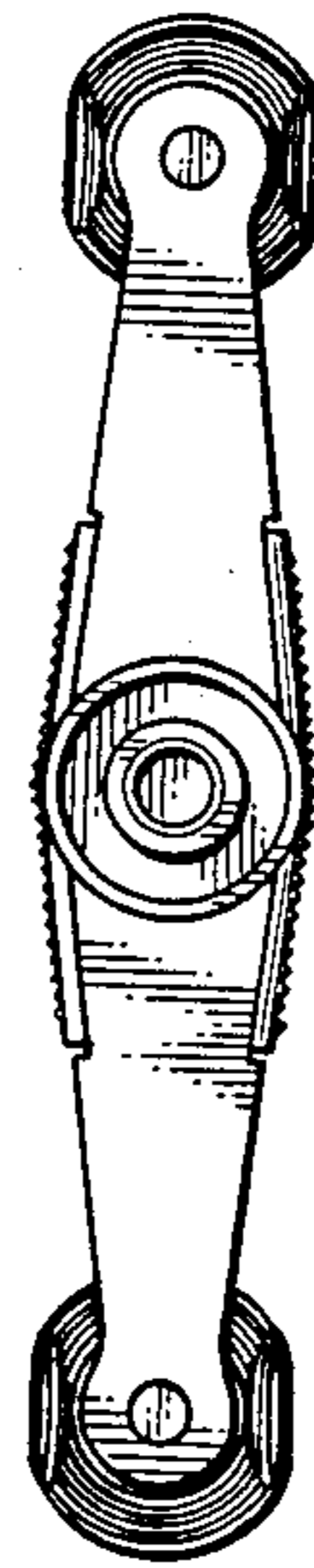


Fig. 4

