

[54] **REVOLVER**

[75] **Inventor: Robert E. Domian, Somers, Conn.**

[73] **Assignee: Kingston Tool Company, Inc.,
Monson, Mass.**

[**] **Term: 14 Years**

[21] **Appl. No.: 857,418**

[22] **Filed: Apr. 21, 1986**

[52] **U.S. Cl. D22/104**

[58] **Field of Search D22/104, 105, 109;
42/59, 71.02, 77**

[56] **References Cited**

U.S. PATENT DOCUMENTS

- D. 212,751 11/1968 Ruger D22/104
- D. 239,282 3/1976 Kennedy et al. D22/104
- 4,378,651 4/1983 Pachmayr et al. 42/71.02

Primary Examiner—A. Hugo Word
Attorney, Agent, or Firm—Wolf, Greenfield & Sacks

[57] **CLAIM**

The ornamental design for a revolver, as shown and described.

DESCRIPTION

FIG. 1 is a perspective view of a revolver showing my new design;
FIG. 2 is a left side elevational view of the revolver design;
FIG. 3 is a top plan view of the revolver design;
FIG. 4 is a right side elevational view of the revolver design;
FIG. 5 is a front view of the revolver design;
FIG. 6 is a rear view of the revolver design;
FIG. 7 is a bottom view of the revolver design;
FIG. 8 is a left side elevational view of a second embodiment of the revolver design;
FIG. 9 is a right side elevational view of a second embodiment of the revolver design;
FIG. 10 is a top plan view of a second embodiment of the revolver design;
FIG. 11 is a front view of a second embodiment of the revolver design;
FIG. 12 is a rear view of a second embodiment of the revolver design; and
FIG. 13 is a bottom view of a second embodiment of the revolver design.

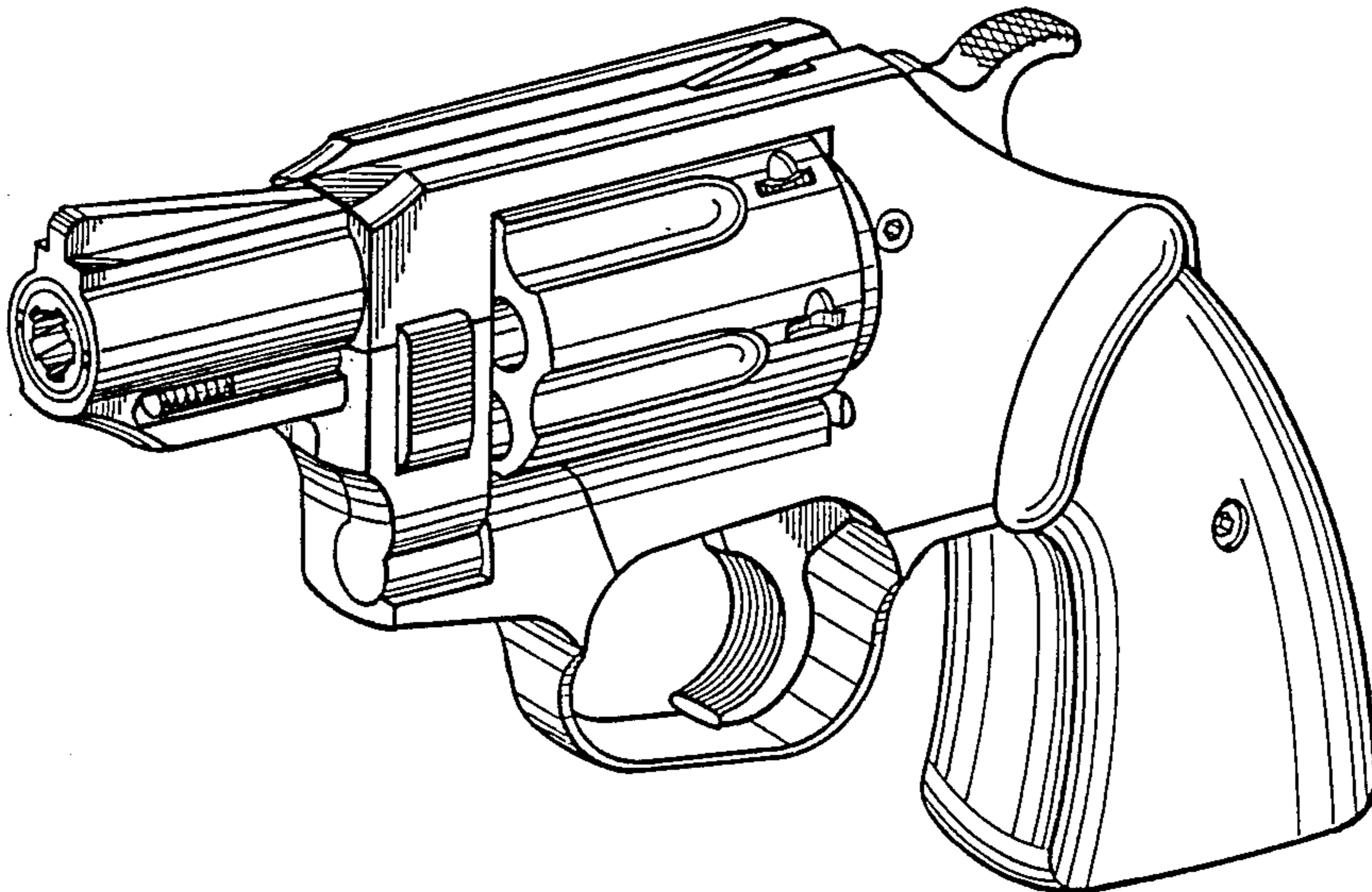


Fig. 1.

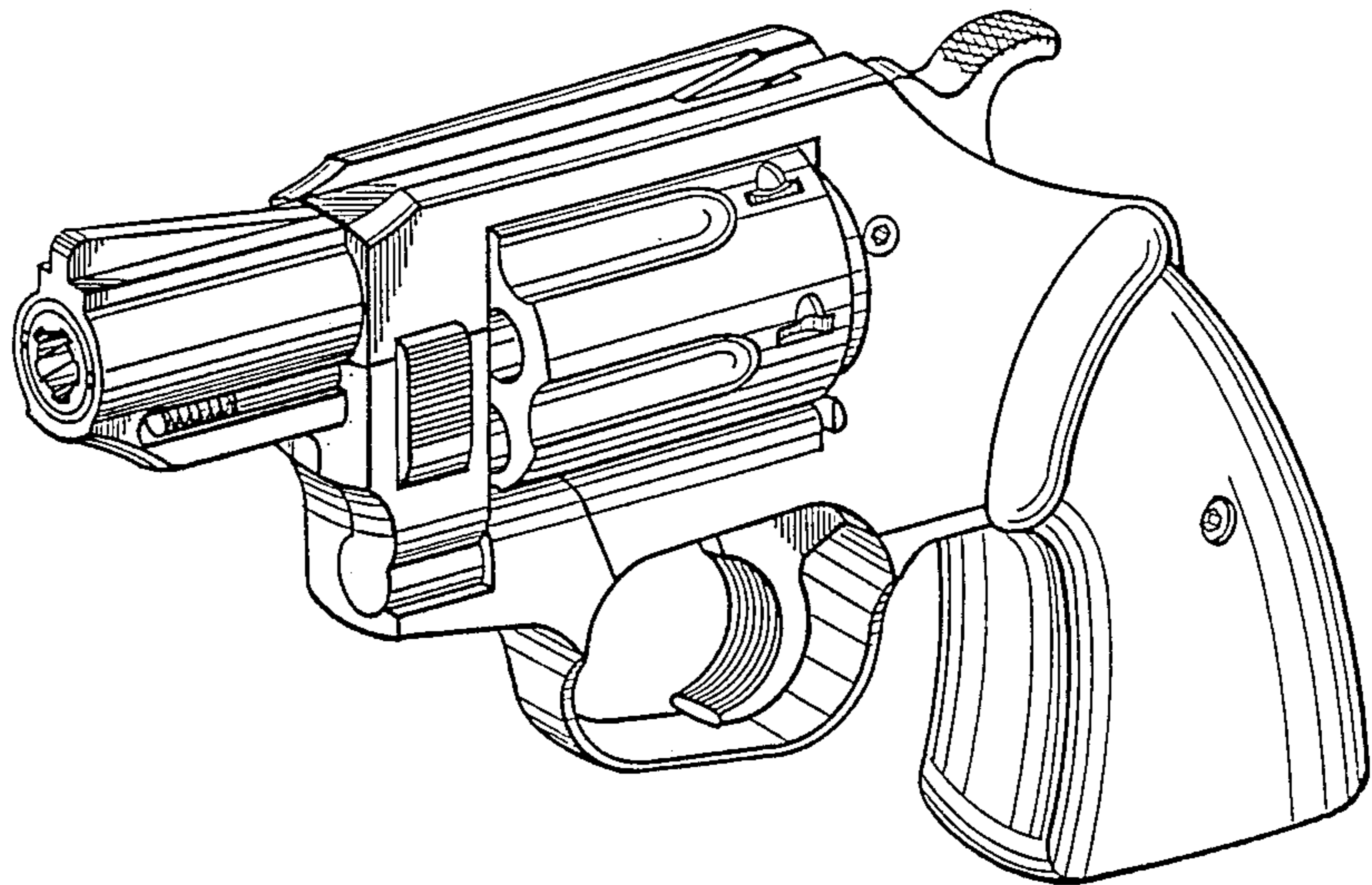


Fig. 2

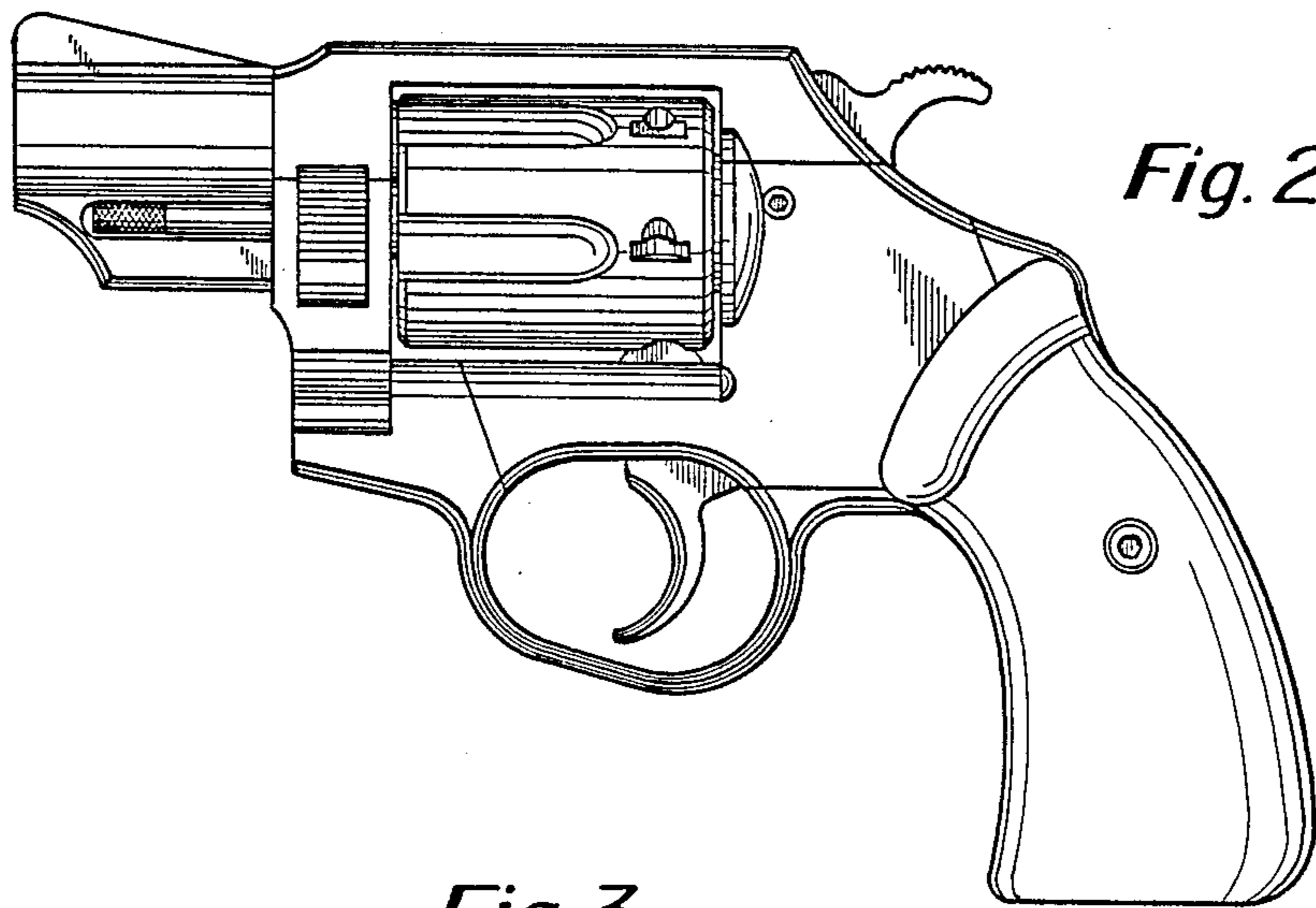
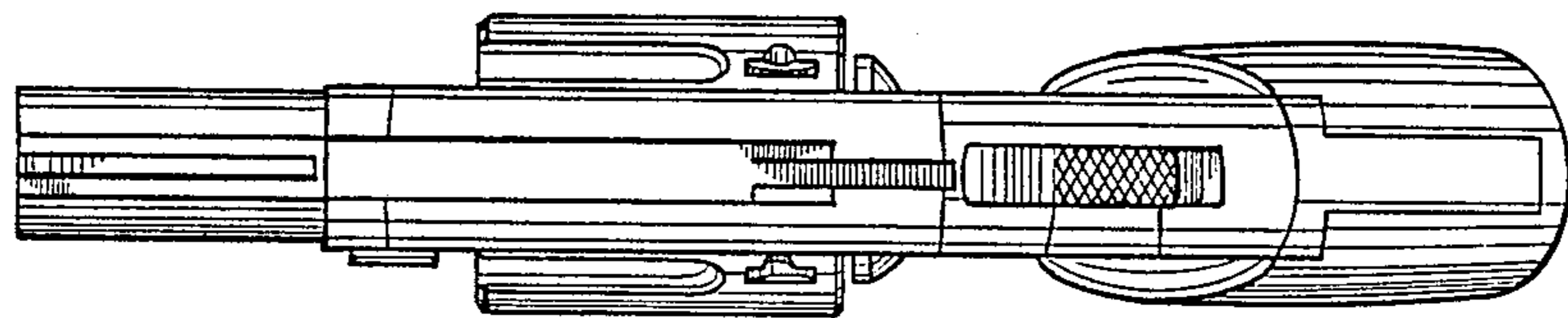
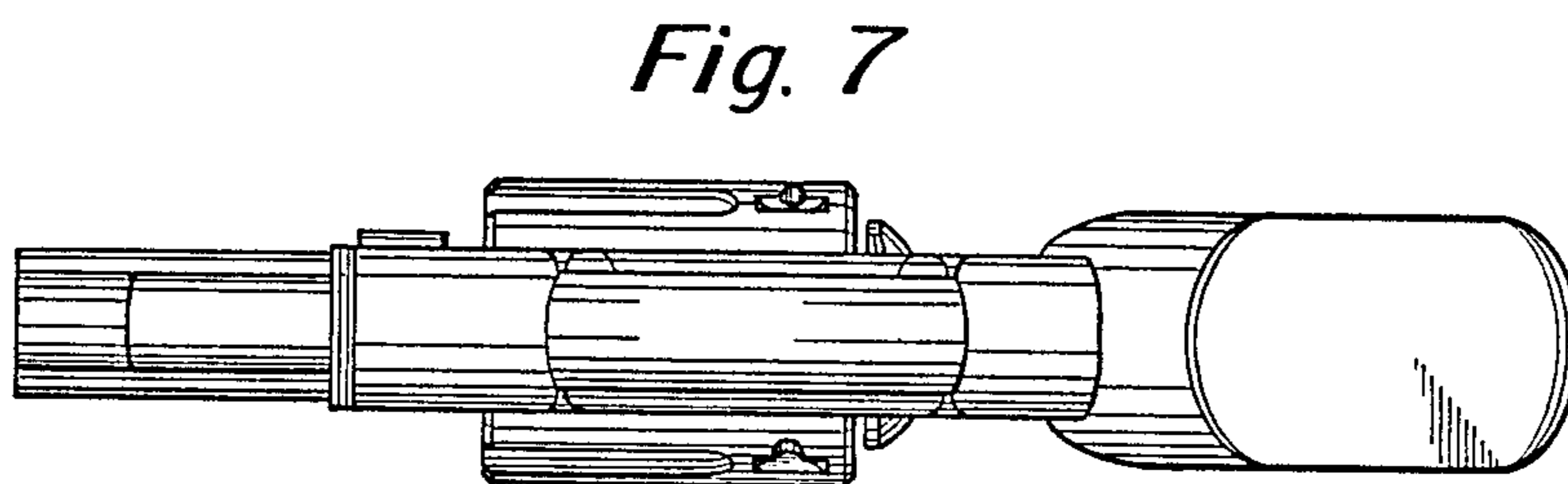
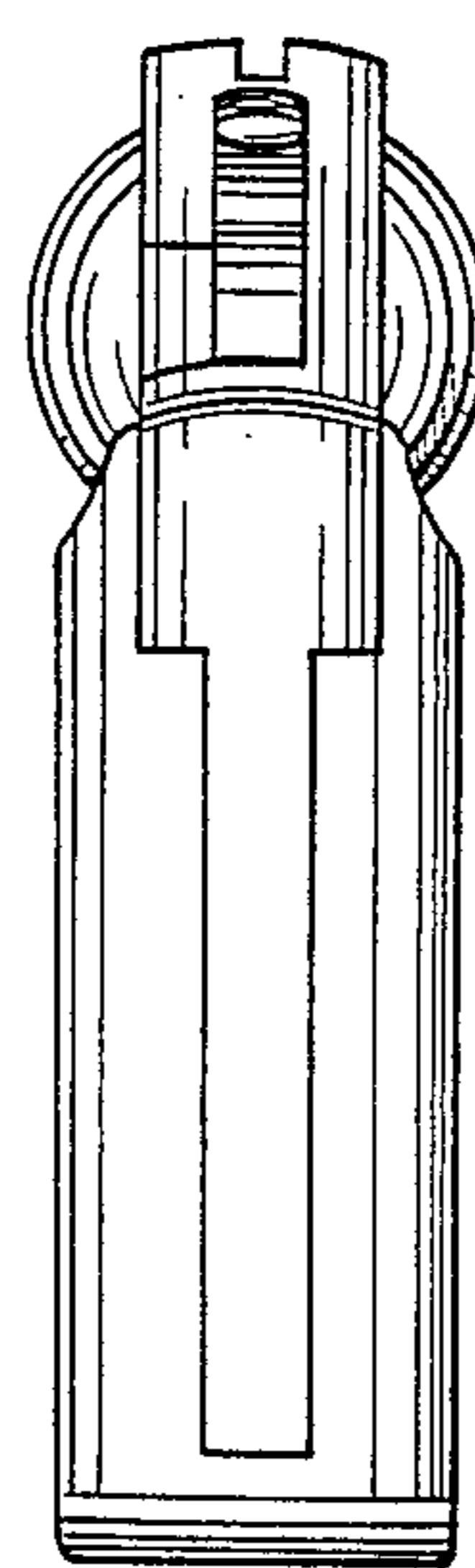
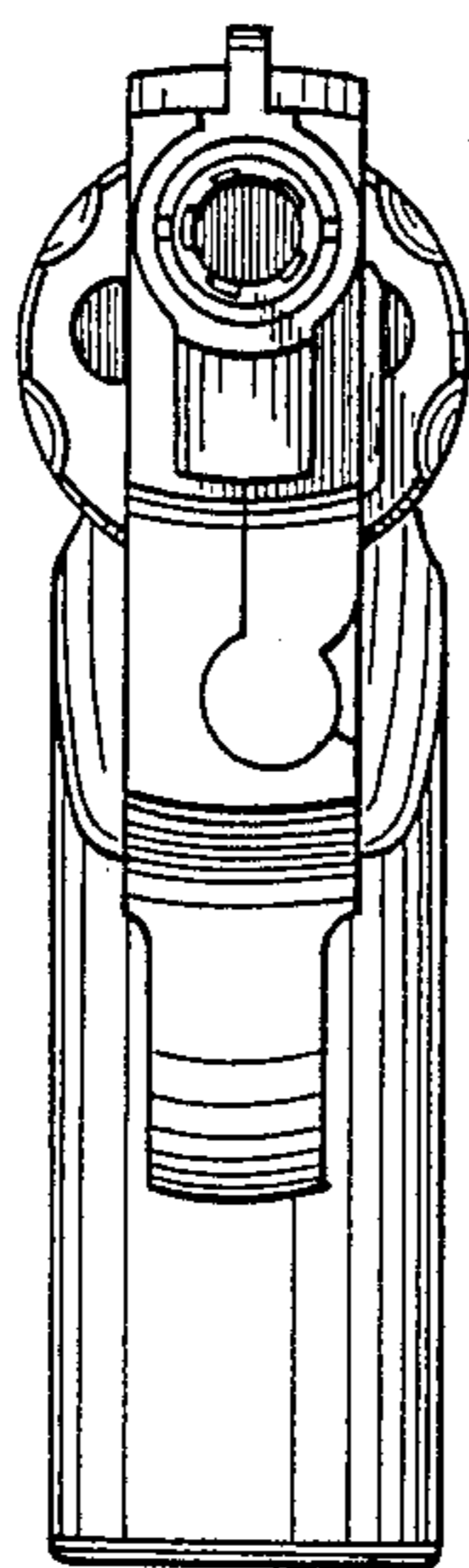
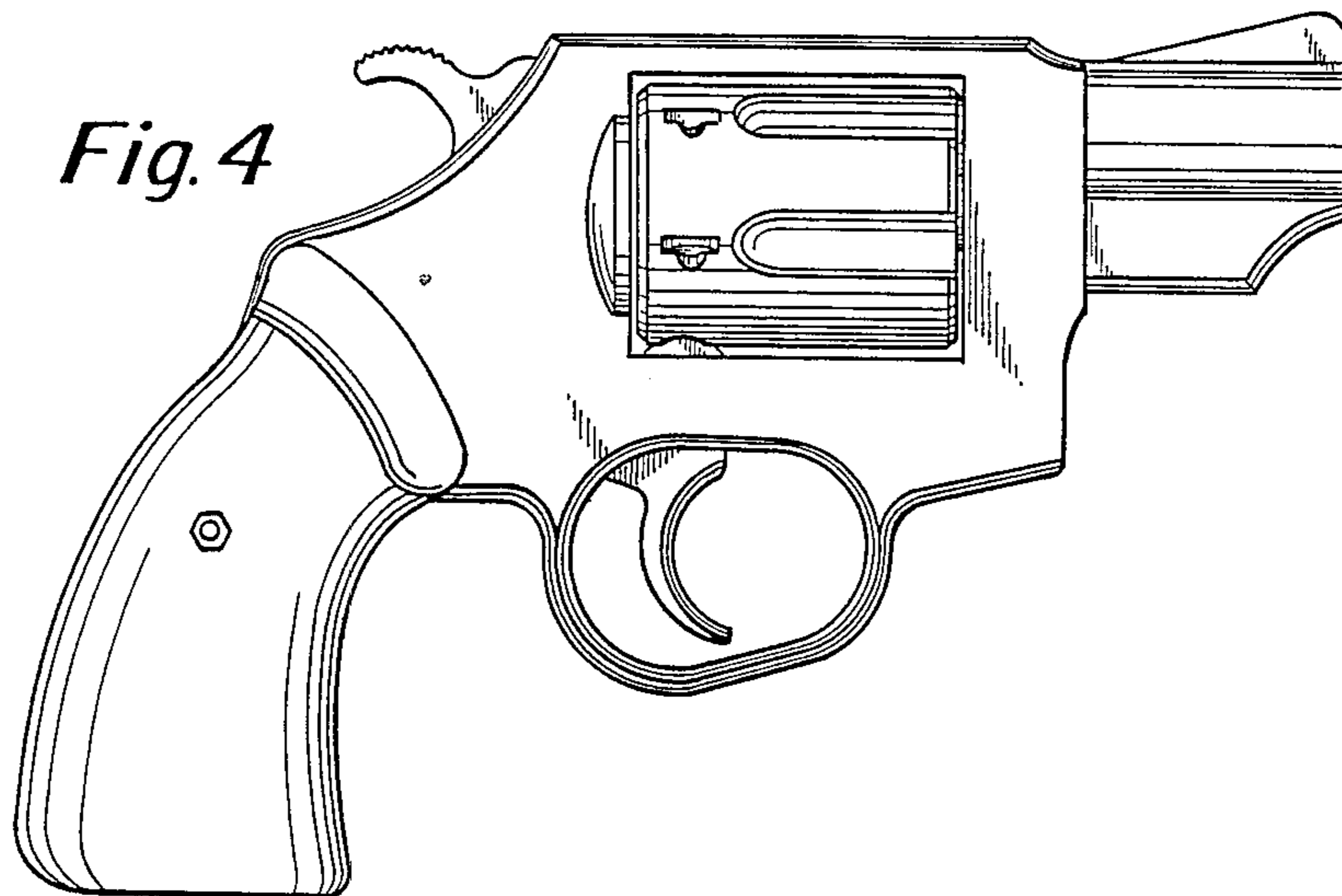


Fig. 3





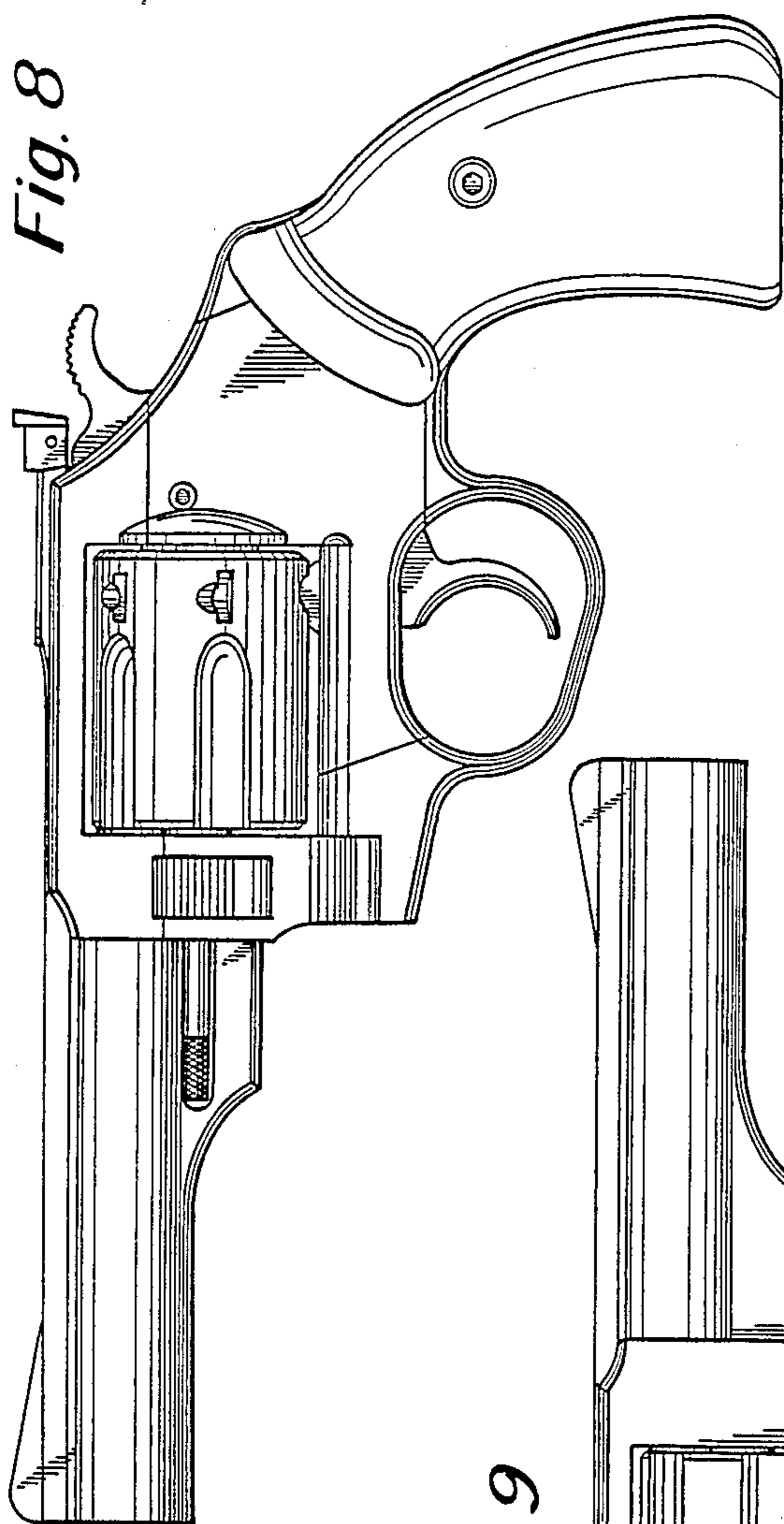


Fig. 9

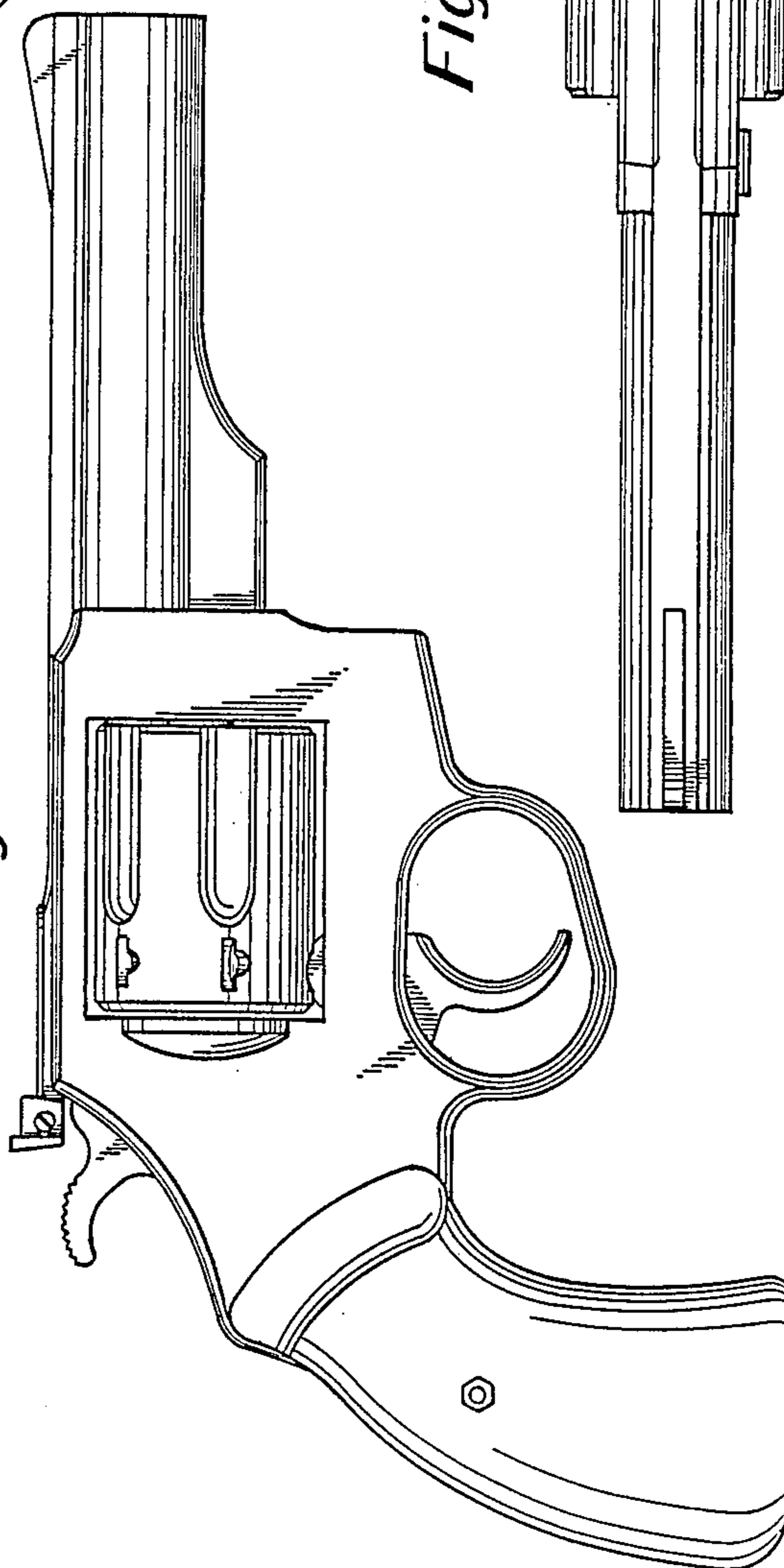


Fig. 10

