

[54] **EXERCISE BICYCLE**

[75] **Inventor: Miguel M. Anitua, Eibar, Spain**

[73] **Assignee: Gara Te Anitua Y Cia., S.A.,  
Abadiano, Spain**

[\*\*] **Term: 14 Years**

[21] **Appl. No.: 824,427**

[22] **Filed: Jan. 31, 1986**

**Related U.S. Application Data**

[63] **Continuation-in-part of Ser. No. 501,804, Jun. 7, 1983,  
abandoned.**

[52] **U.S. Cl. .... D21/194**

[58] **Field of Search ..... D21/194; 272/70.3, 73,  
272/132, DIG. 6; 73/379**

[56] **References Cited**

**U.S. PATENT DOCUMENTS**

D. 264,235	5/1982	Chirapozu .....	D21/194
D. 279,700	7/1985	Chirapozu .....	D21/194
D. 280,227	8/1985	LaMarsh et al. ....	D21/194
D. 280,228	8/1985	Gold .....	D21/194
D. 291,822	9/1987	Liu .....	D21/194

*Primary Examiner*—Charles A. Rademaker  
*Attorney, Agent, or Firm*—Laff, Whitesel, Conte & Saret

[57] **CLAIM**

The ornamental design for an exercise bicycle, as shown.

**DESCRIPTION**

FIG. 1 is a bottom plan view of an exercise bicycle showing my new design;

FIG. 2 is a front elevational view thereof;

FIG. 3 is a rear elevational view thereof;

FIG. 4 is a left side elevational view thereof;

FIG. 5 is a right side elevational view thereof; and

FIG. 6 is a top plan view thereof.

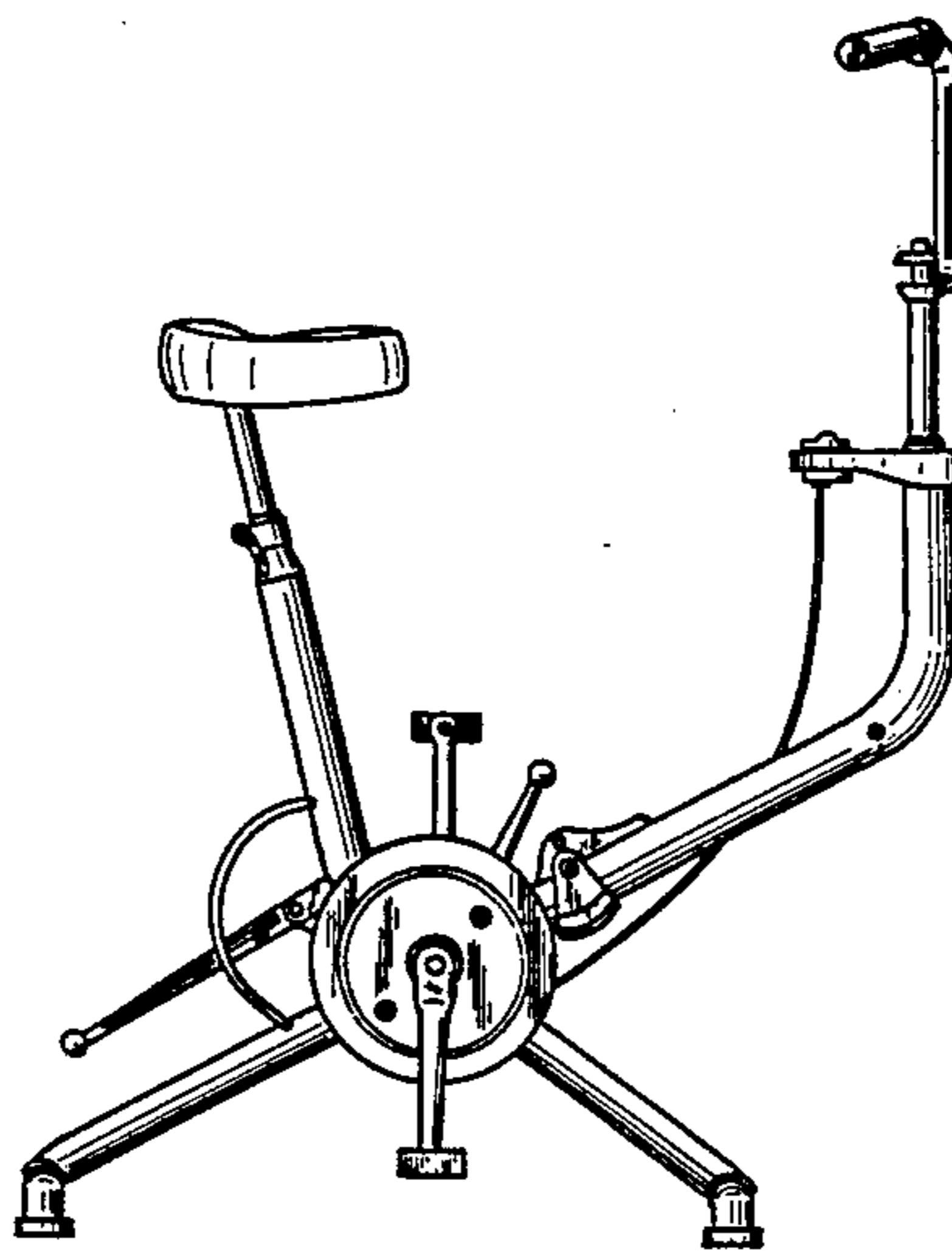


FIG 6

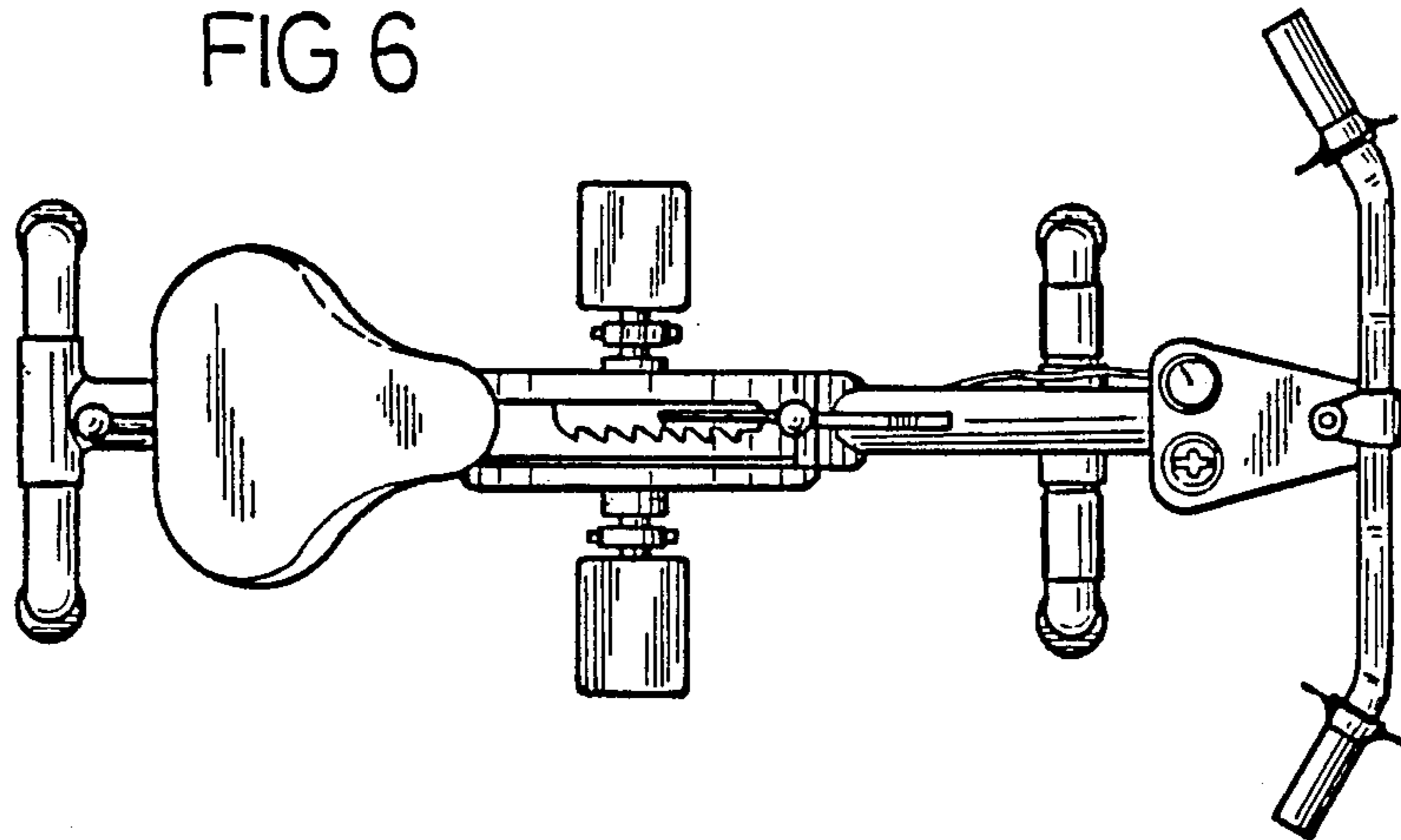


FIG 1

