

[54] **EXERCISE BICYCLE**
 [75] **Inventors: Jui-Chin Lin; Juff S. Pai, both of Taiwan, Taiwan**
 [73] **Assignee: Shinn Fu Corporation, Taiwan, Taiwan**
 [**] **Term: 14 Years**
 [21] **Appl. No.: 897,375**
 [22] **Filed: Aug. 18, 1986**
 [52] **U.S. Cl. D21/194**
 [58] **Field of Search D21/191-199; 272/73, 70.1, 70.2, 132, DIG. 6**

3,129,601 4/1964 Edwards .
 3,979,964 9/1976 McCordall .
 4,112,928 9/1978 Putsch 272/73
 4,188,030 2/1980 Hooper .
 4,358,105 11/1982 Sweeney, Jr. .
 4,632,386 12/1986 Beech 272/73
 4,700,942 10/1987 Danchucis 272/73

Primary Examiner—Charles A. Rademaker
Attorney, Agent, or Firm—Wenderoth, Lind & Ponack

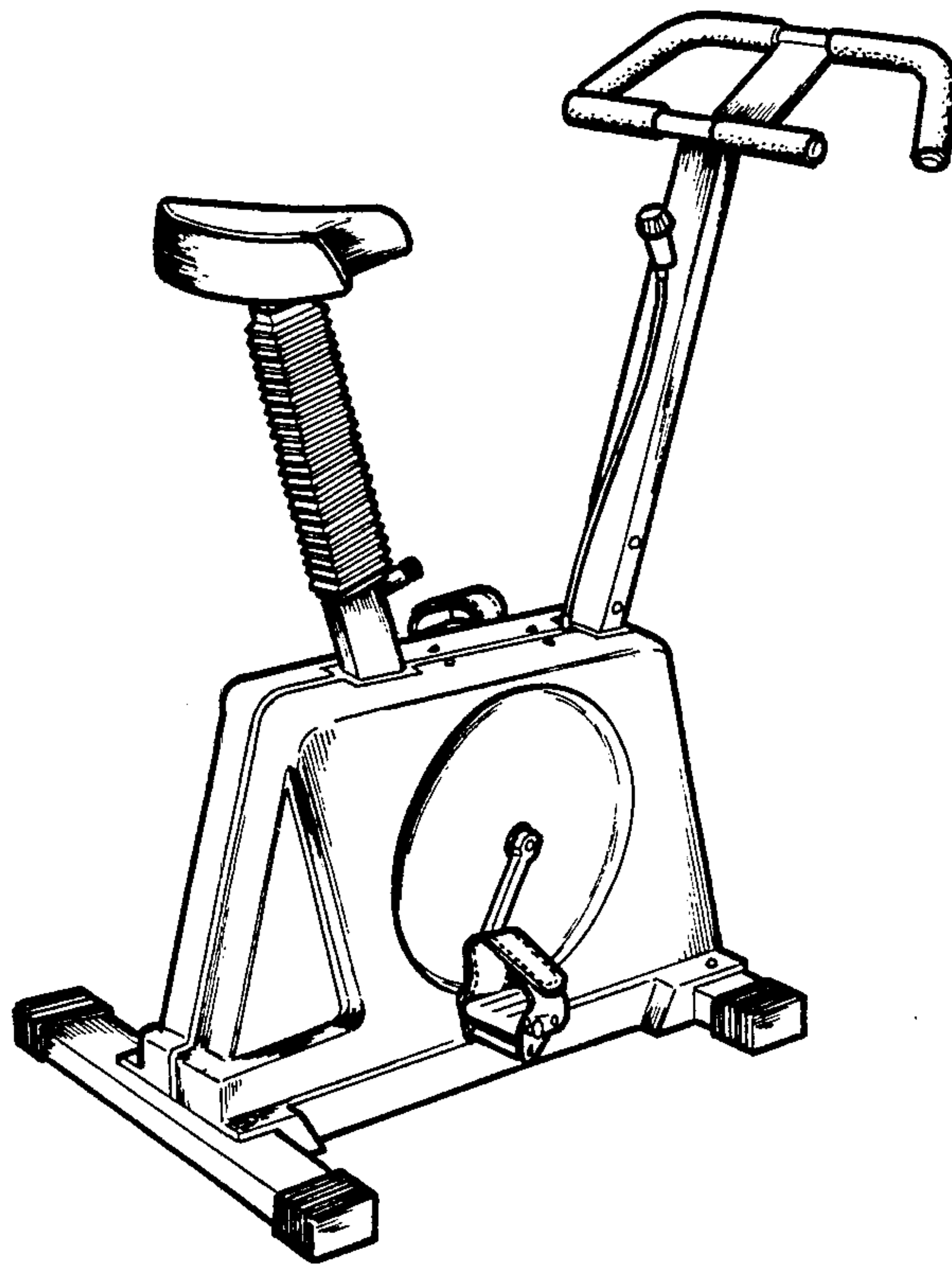
[57] **CLAIM**

The ornamental design for an exercise bicycle, as shown.

DESCRIPTION

FIG. 1 is a perspective view of an exercise bicycle showing our new design;
 FIG. 2 is a front elevational view thereof;
 FIG. 3 is a rear elevational view thereof;
 FIG. 4 is a right side elevational view thereof;
 FIG. 5 is a left side elevational view thereof;
 FIG. 6 is a top plan view thereof; and
 FIG. 7 is a bottom plan view thereof.

[56] **References Cited**
U.S. PATENT DOCUMENTS
 D. 250,284 11/1978 Borck D21/194
 D. 278,268 4/1985 Kiiski D21/194
 D. 279,811 7/1985 Nakao et al. D21/194
 D. 290,149 6/1987 Nakao et al. D21/194
 2,753,722 7/1956 DeGrave .
 2,828,845 4/1958 Thornton .



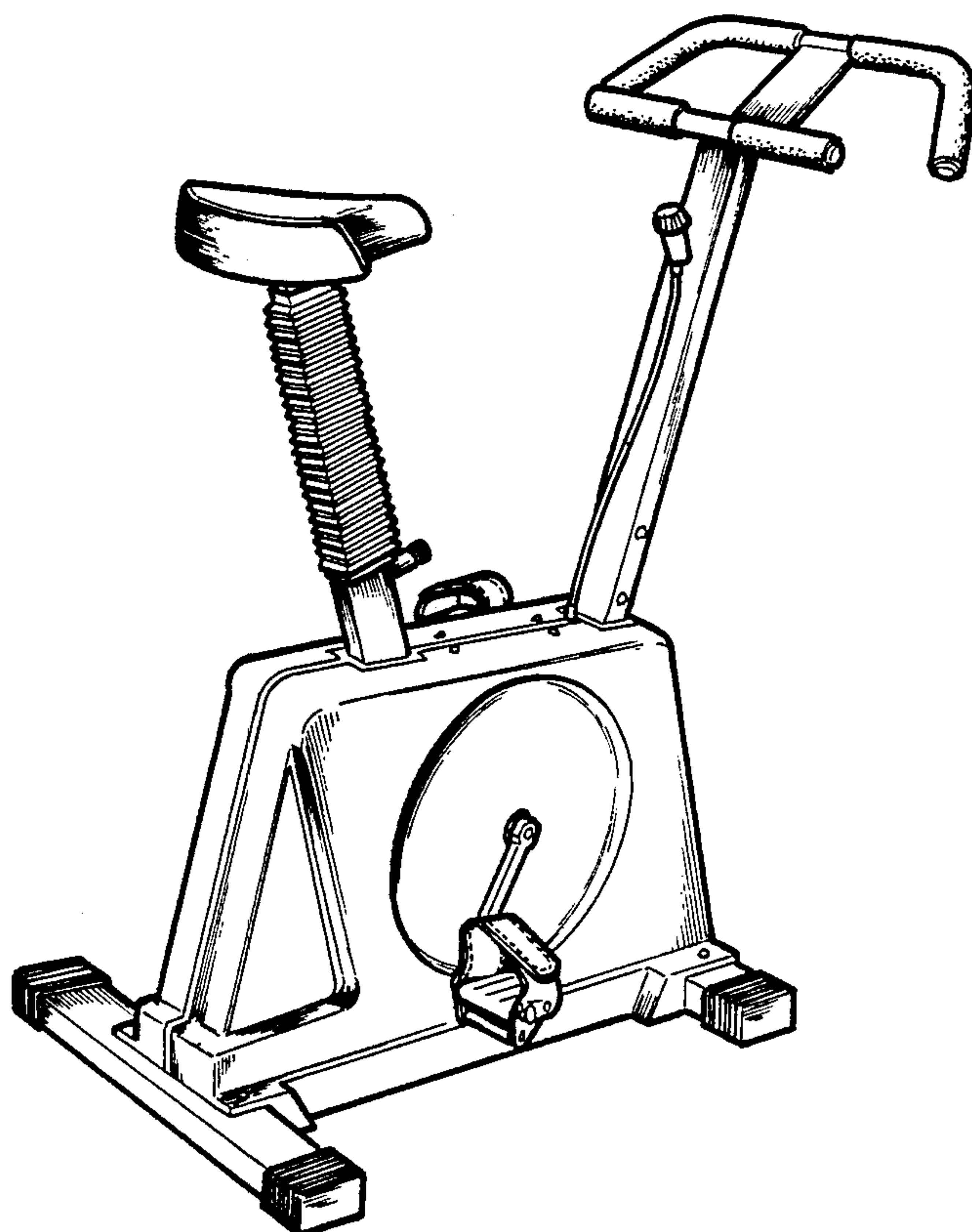


FIG. 1

FIG. 2

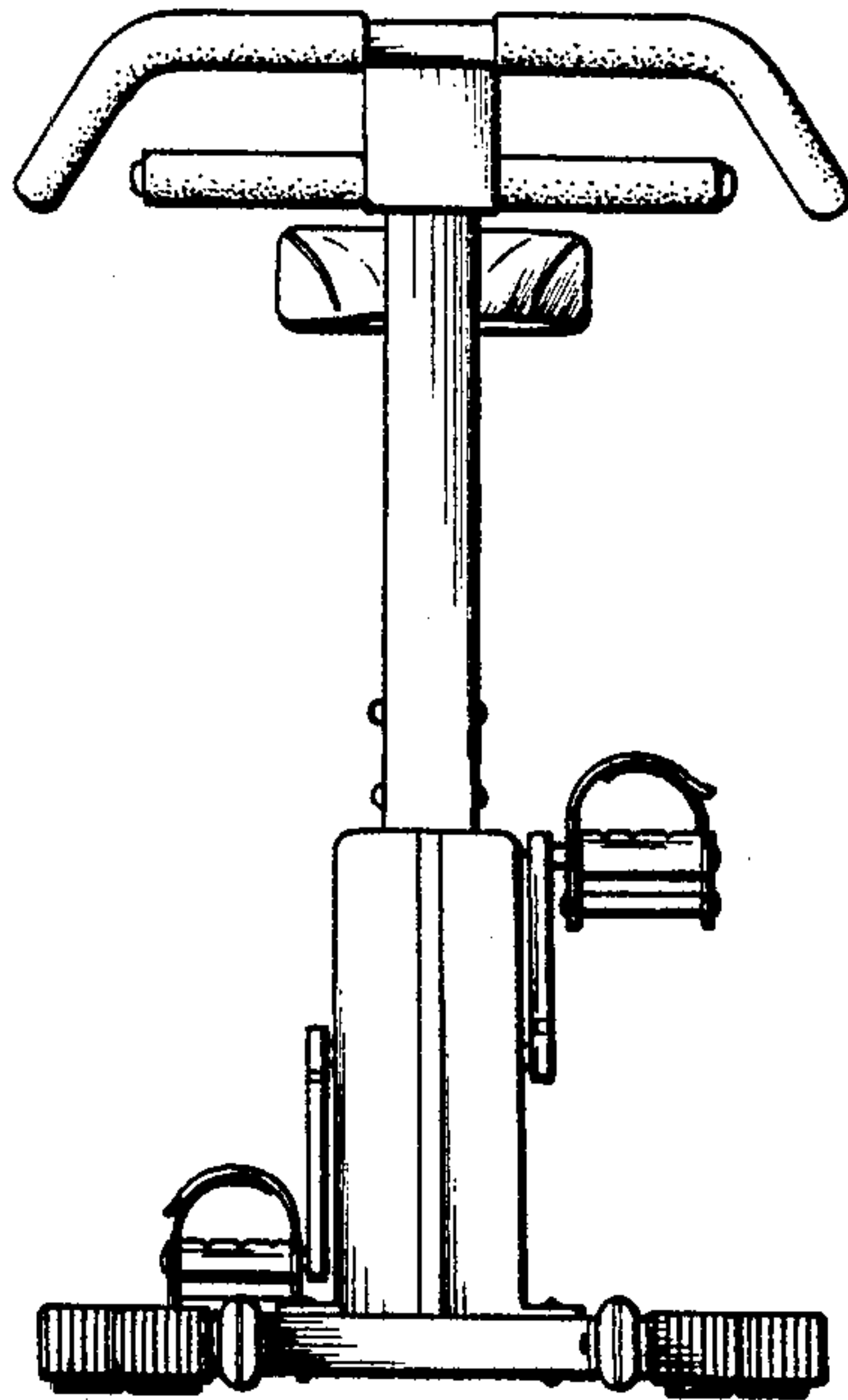


FIG. 3

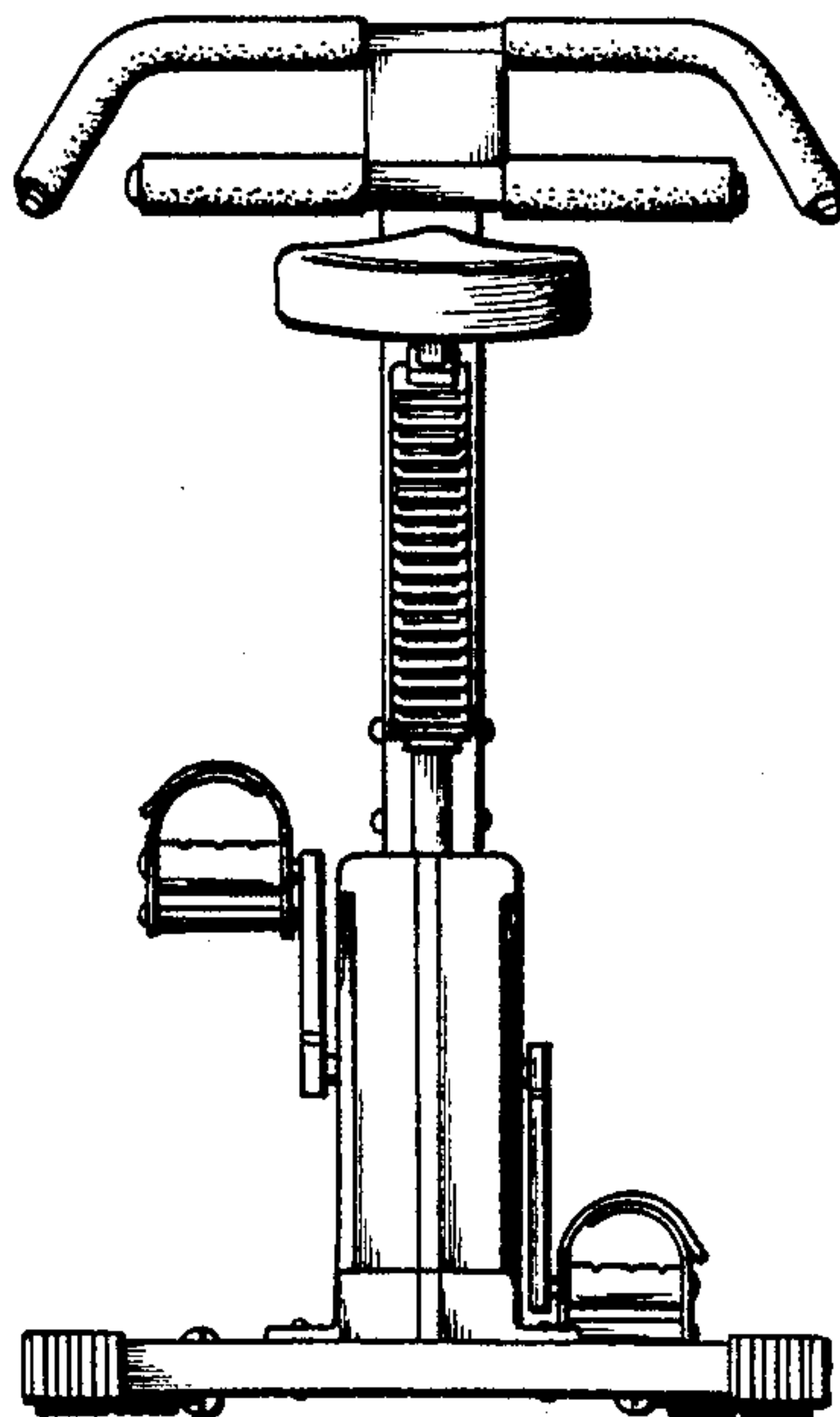


FIG. 4

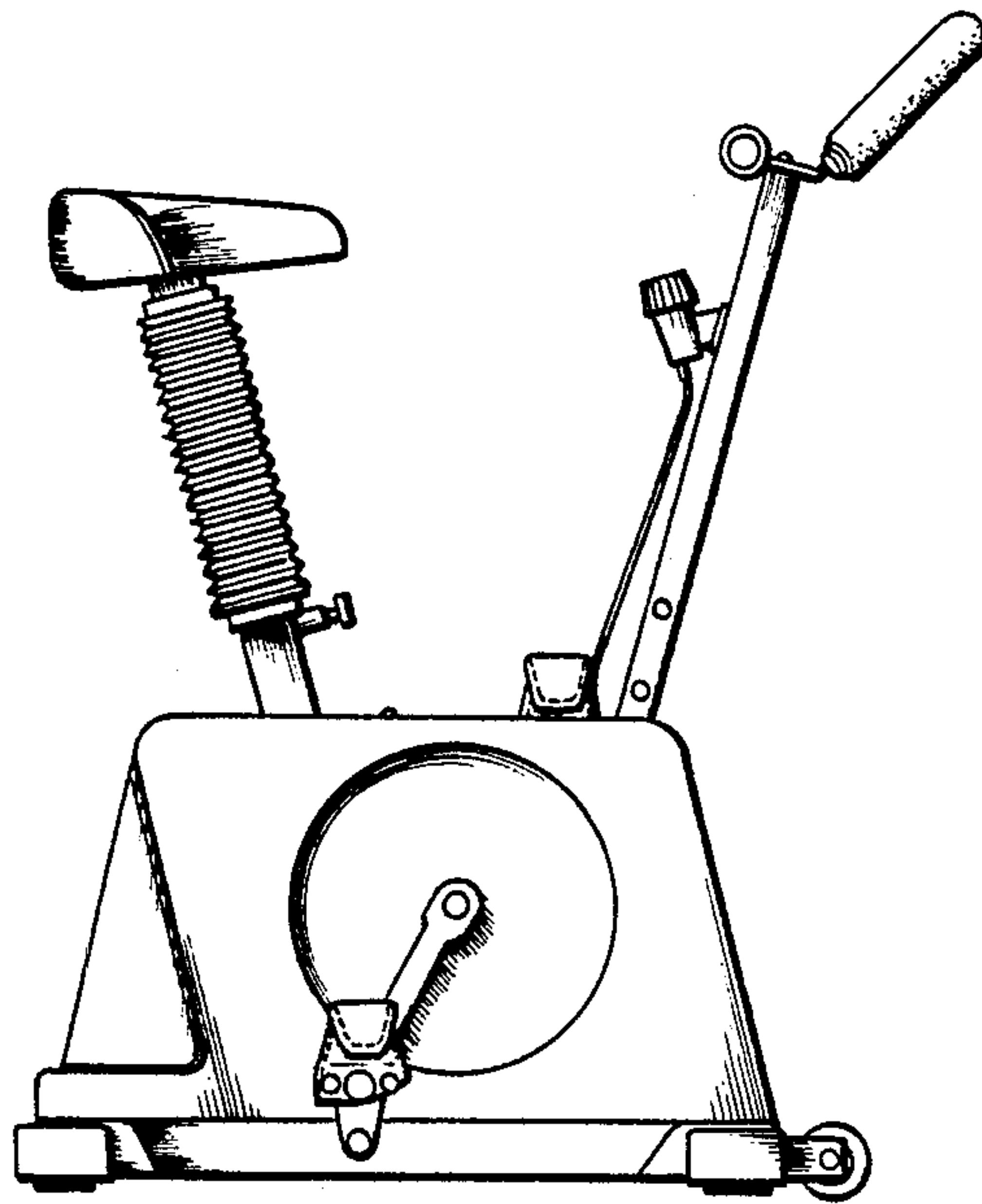
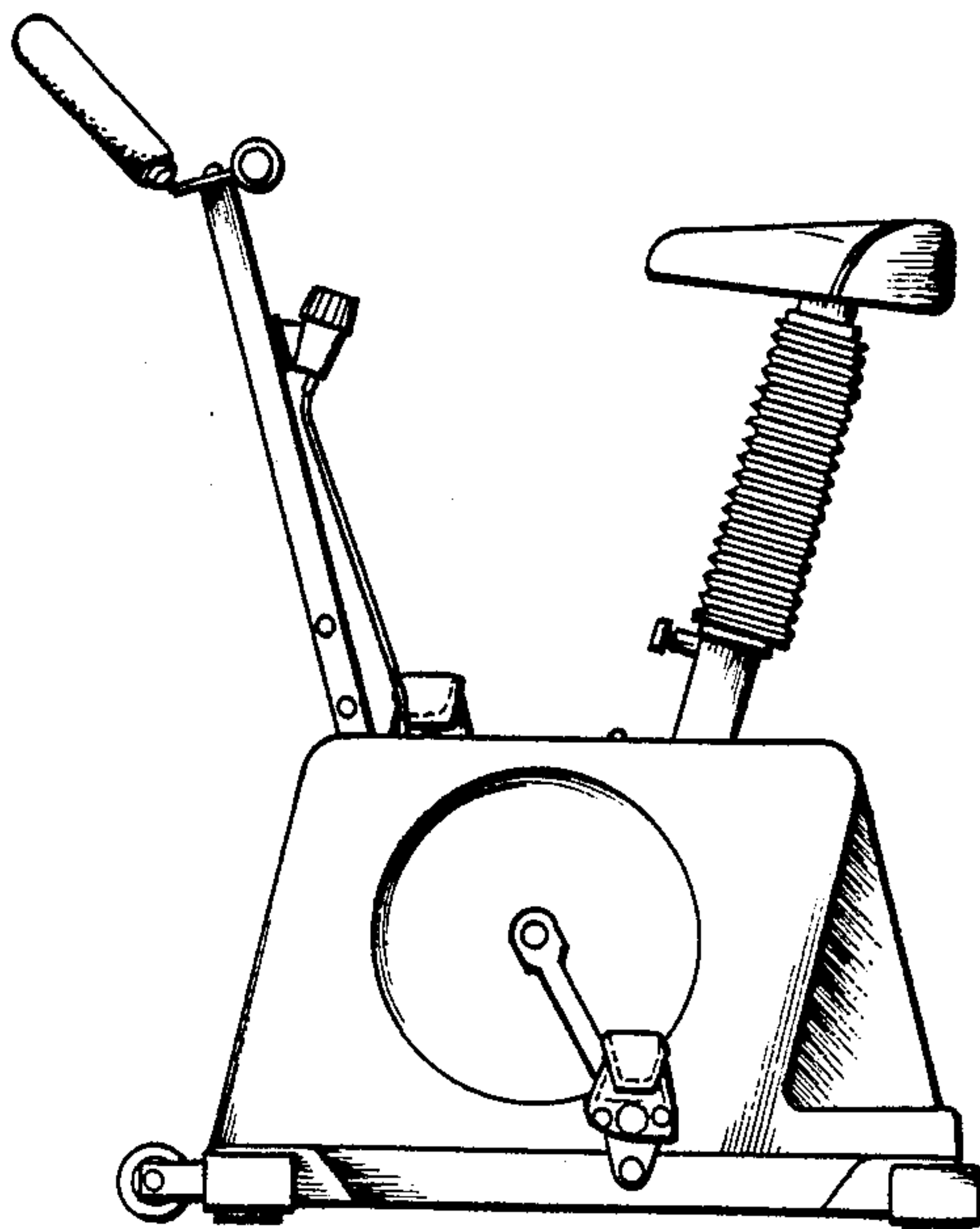


FIG. 5



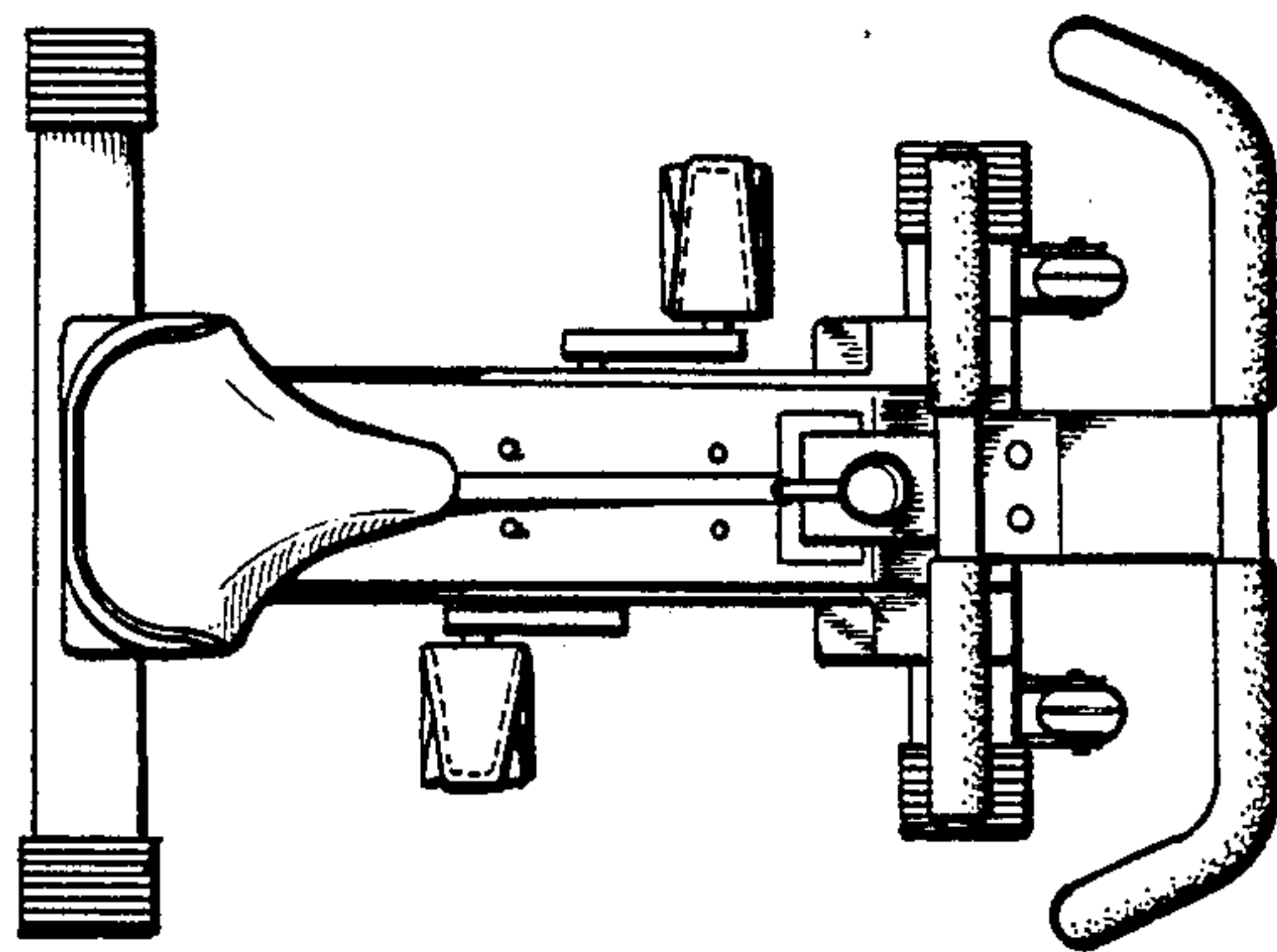


FIG. 6

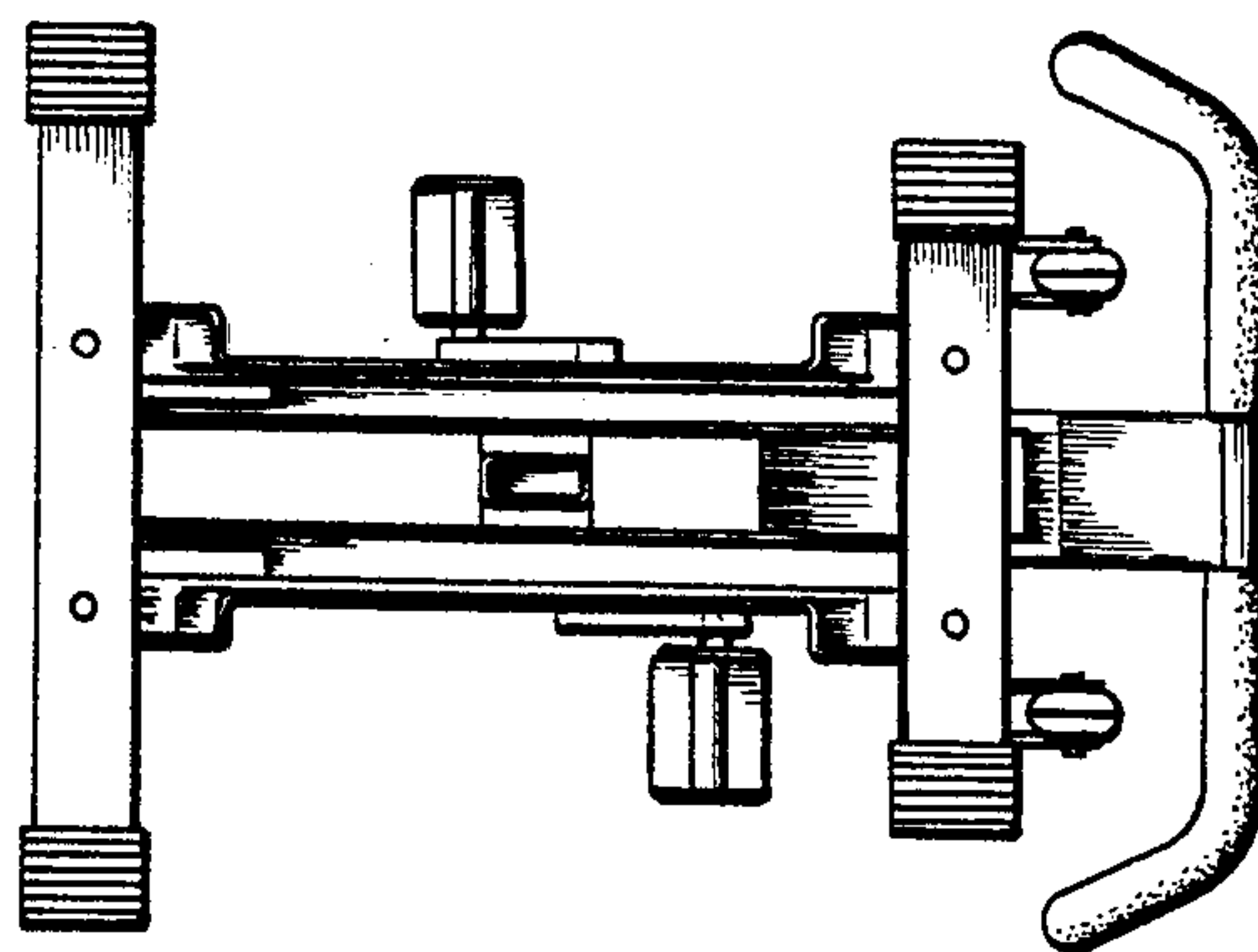


FIG. 7