

**United States Patent** [19]  
**Cook**

[11] **Patent Number: Des. 299,668**  
[45] **Date of Patent: \*\* Jan. 31, 1989**

[54] **JUMP ROPE APPARATUS**  
[76] **Inventor: Nelson A. Cook, 5313 Wynfield Way #3, Sacramento, Calif. 95841**  
[\*\*] **Term: 14 Years**  
[21] **Appl. No.: 726,776**  
[22] **Filed: Apr. 24, 1985**  
[52] **U.S. Cl. .... D21/191**  
[58] **Field of Search ..... D21/191, 235, 240; 272/74, 75; 446/307**

3,107,092 10/1963 Morris et al. .... 272/75  
3,595,571 7/1971 Spinnett et al. .... 272/75  
4,082,266 4/1978 Elkins ..... 272/75

*Primary Examiner—Charles A. Rademaker*  
*Attorney, Agent, or Firm—Terry M. Gerstein*

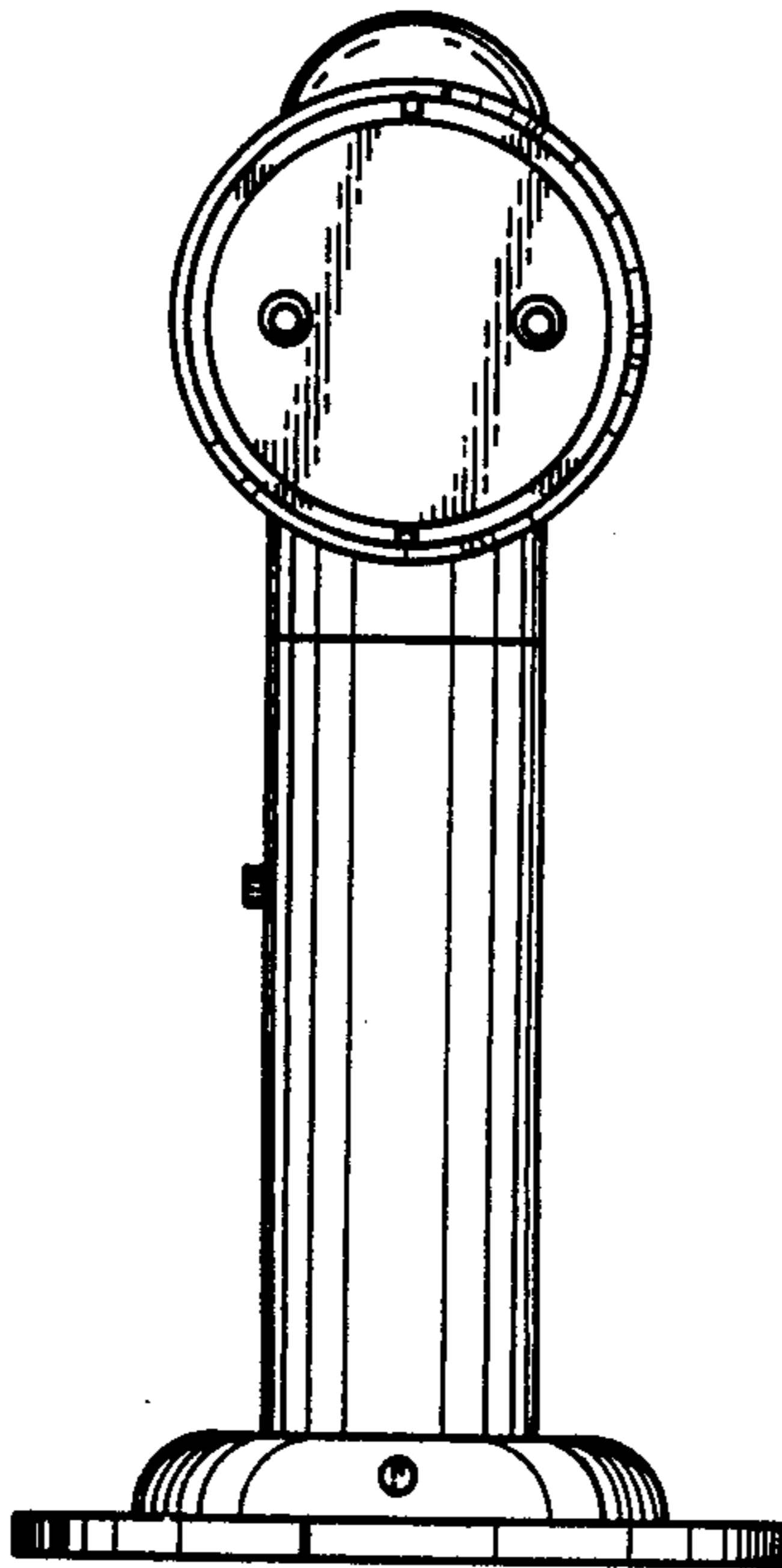
[57] **CLAIM**

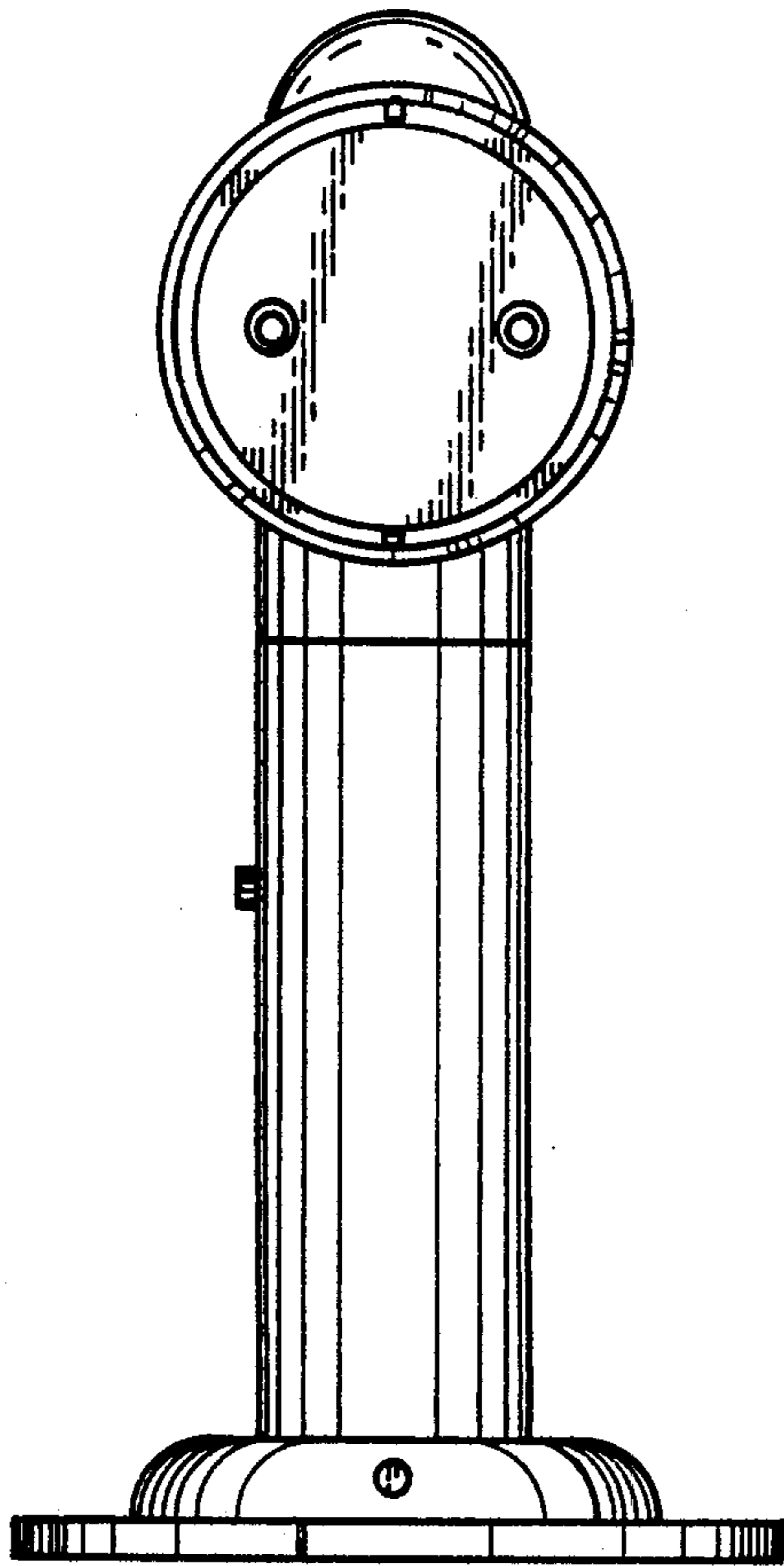
The ornamental design for a jump rope apparatus, as shown and described.

**DESCRIPTION**

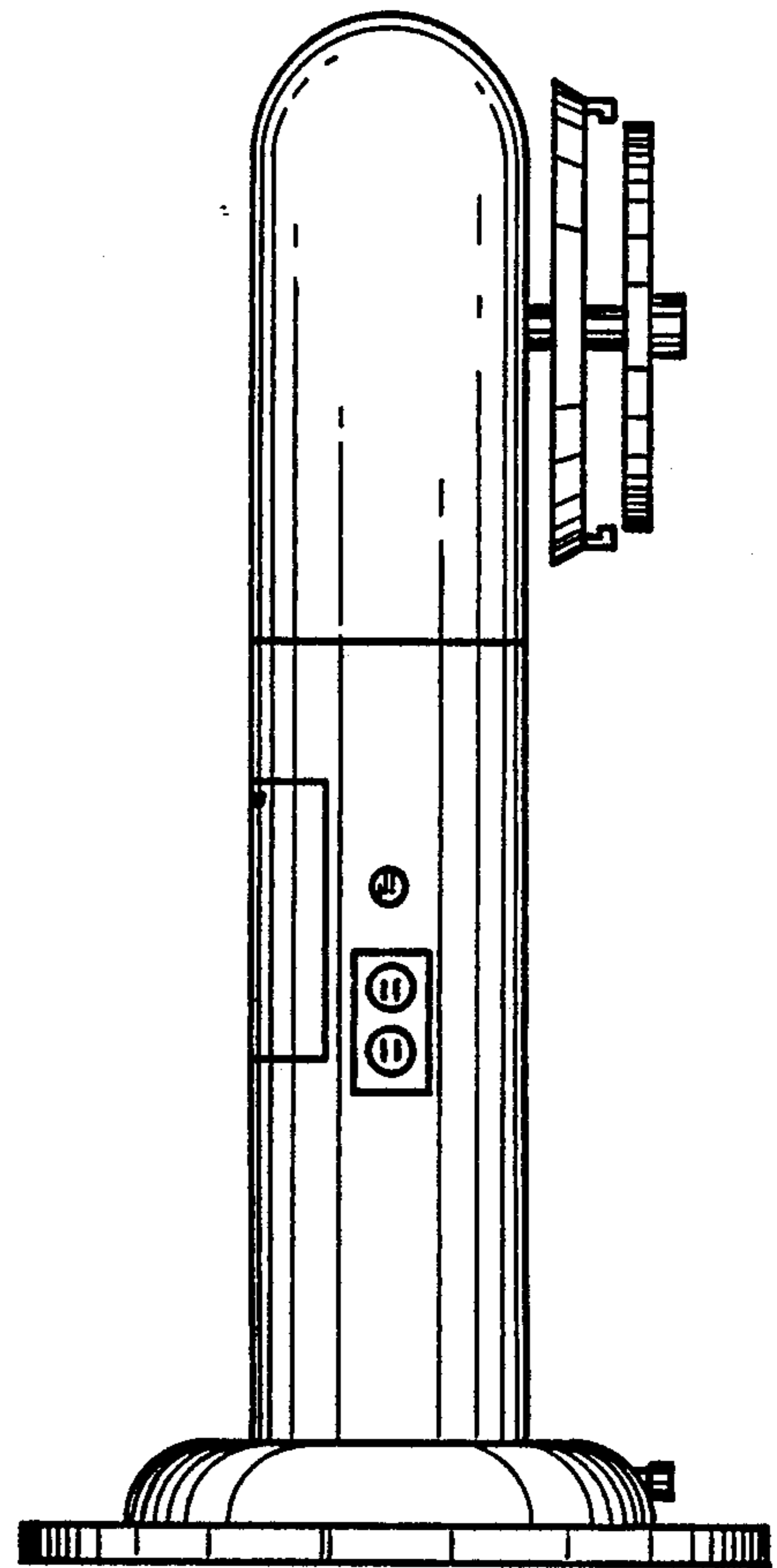
FIG. 1 is a front elevational view of a jump rope apparatus showing my new design;  
FIG. 2 is a side elevational view thereof;  
FIG. 3 is a top plan view thereof;  
FIG. 4 is a bottom plan view thereof; and  
FIG. 5 is a rear elevational view thereof.

[56] **References Cited**  
**U.S. PATENT DOCUMENTS**  
D. 191,584 10/1961 Tannahill ..... 272/74

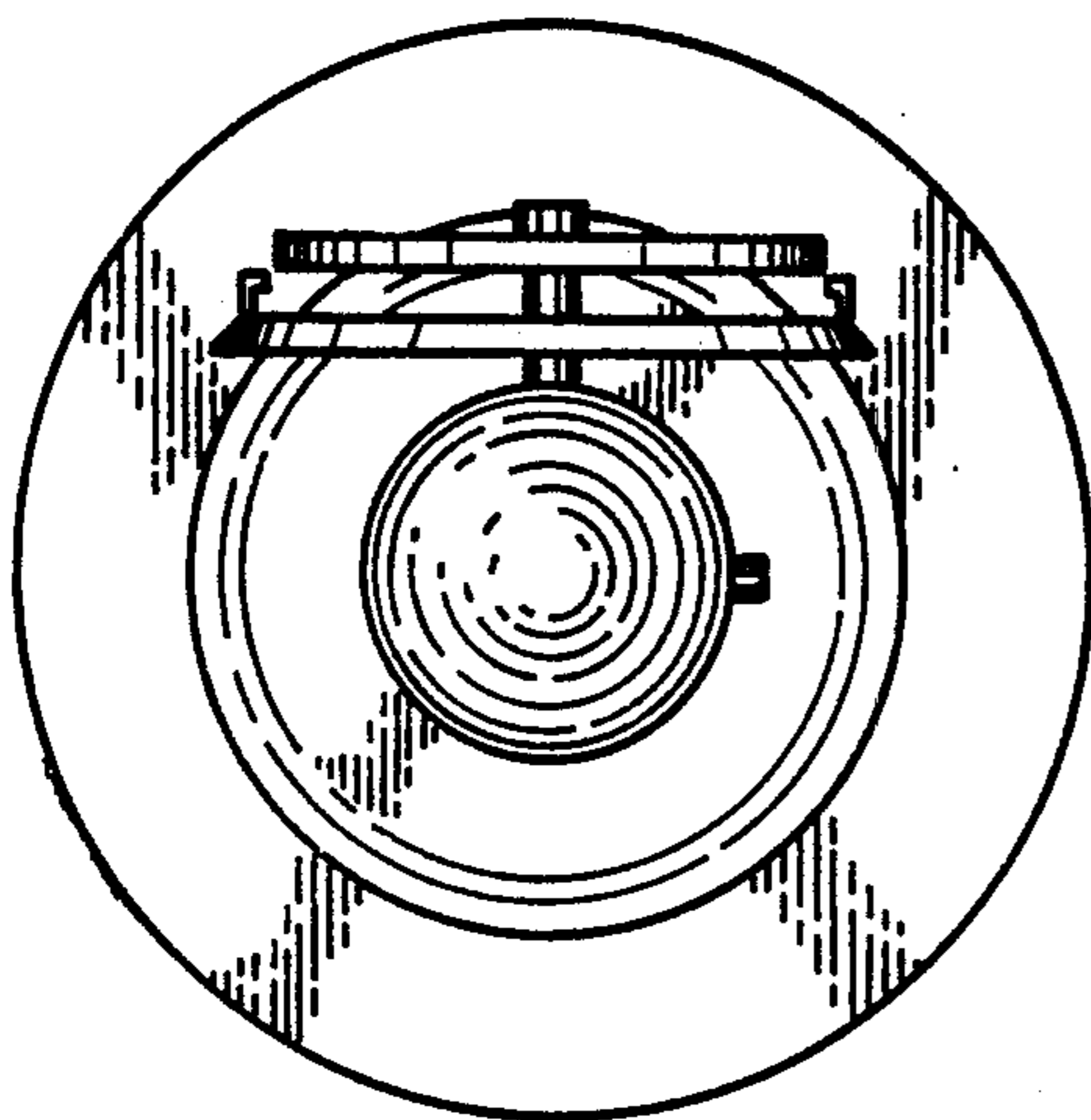




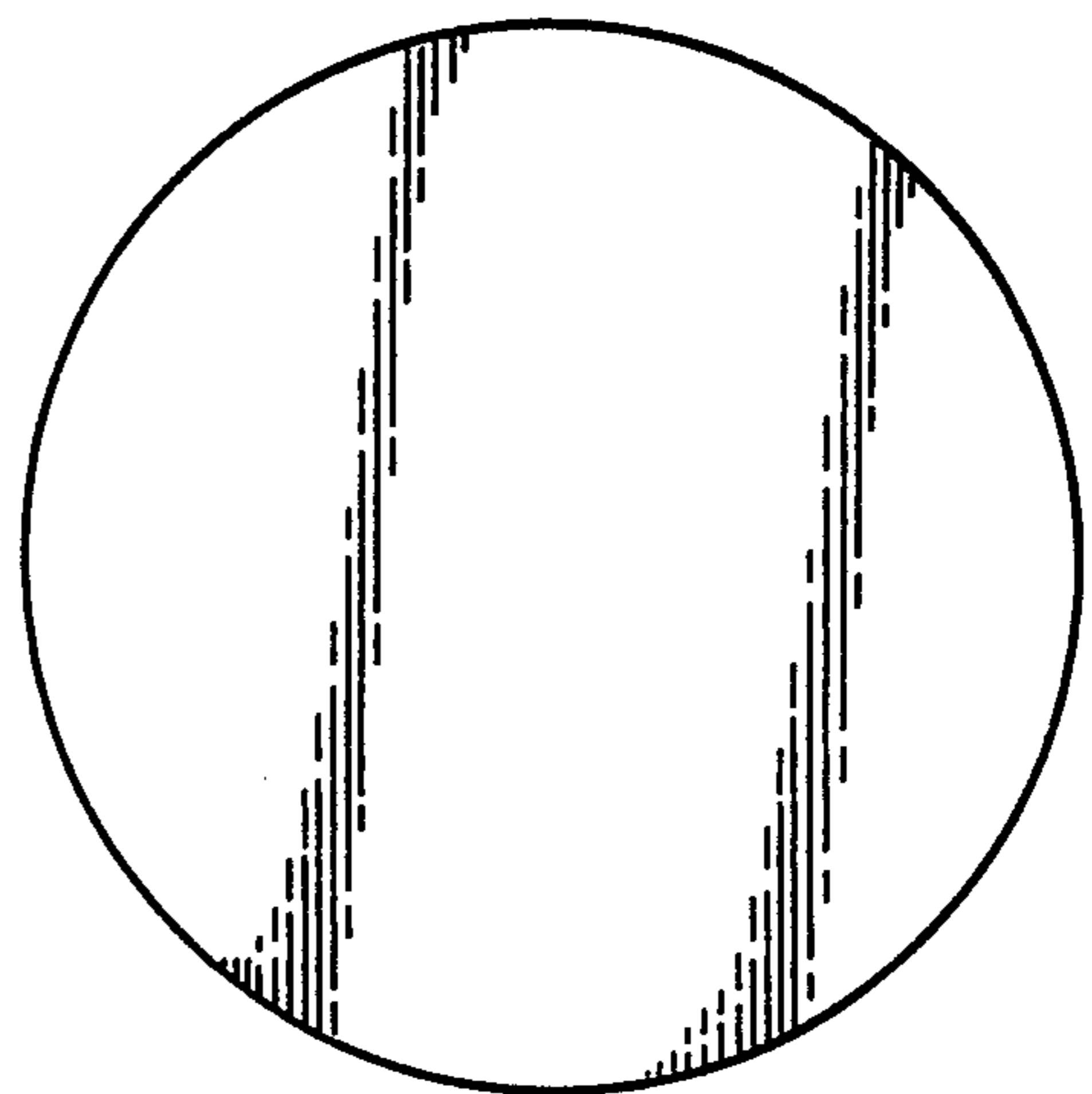
*Fig. 1*



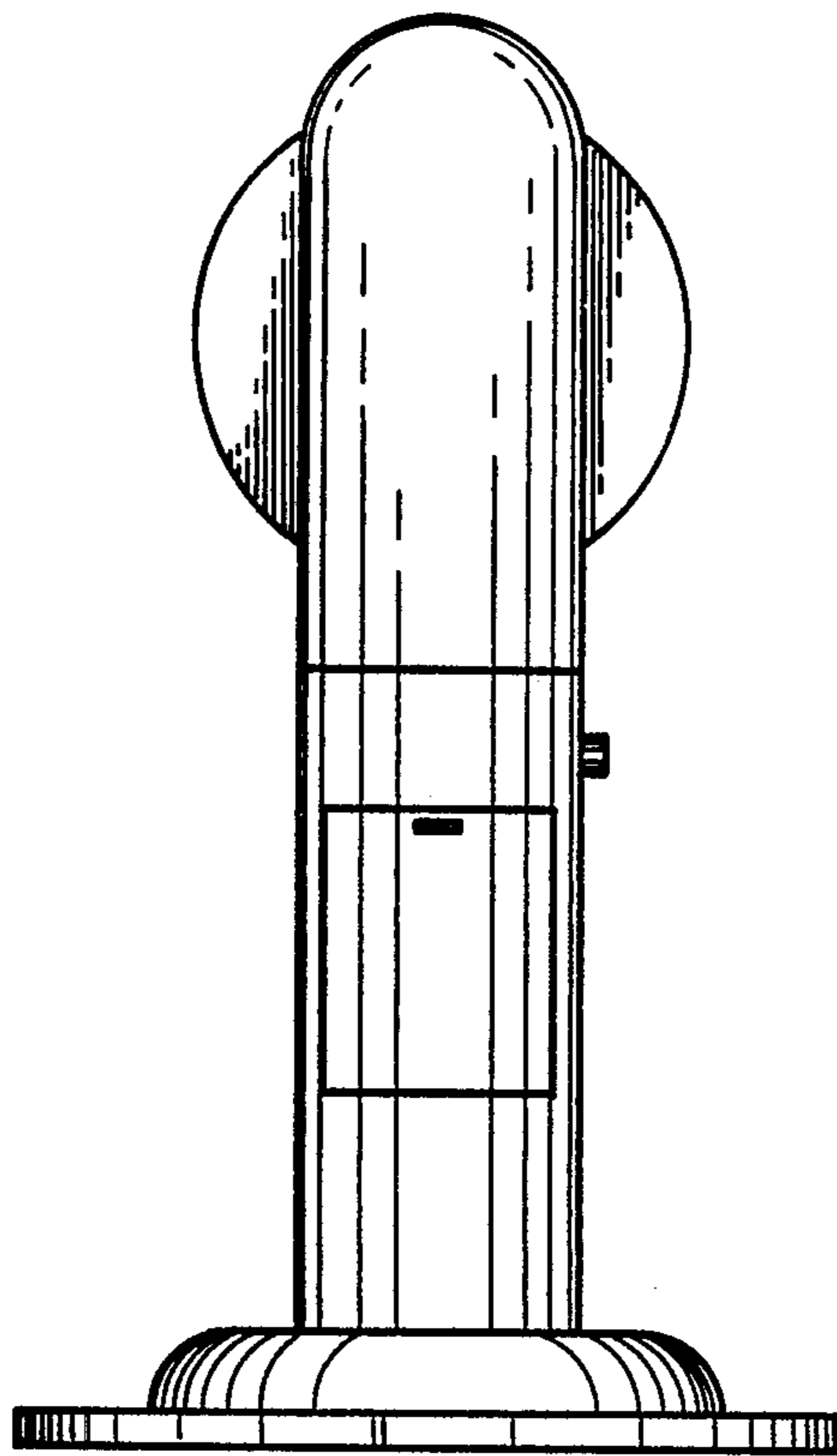
*Fig. 2*



*Fig. 3*



*Fig. 4*



*Fig. 5*