

[54] ADHESIVE TAPE DISPENSER

[75] Inventors: Lloyd S. Vasilakes, North St. Paul; Eugene N. Reshanov, Golden Valley; Alden R. Miles, Burnsville, all of Minn.

[73] Assignee: Minnesota Mining and Manufacturing Company, St. Paul, Minn.

[\*\*] Term: 14 Years

[21] Appl. No.: 935,536

[22] Filed: Nov. 26, 1986

[52] U.S. Cl. .... D19/69

[58] Field of Search ..... D19/67-69; 225/6, 77, 56, 45, 89; 312/39

[56] References Cited

U.S. PATENT DOCUMENTS

Re. 23,129	6/1949	Borden	164/84.5
D. 226,334	2/1973	Reinecke et al.	D19/69
D. 248,561	7/1978	Deering	D19/69
D. 254,556	3/1980	Johnson	D19/69
D. 273,875	5/1984	Hill	D19/69
2,221,213	11/1940	Borden	164/84.5
2,309,093	1/1943	Borden	270/93
2,708,076	5/1953	Polster et al.	242/55.4
3,016,174	1/1962	Perkins	D19/69
3,044,535	7/1962	Krueger	156/584
3,107,193	10/1963	de Neui	156/527

OTHER PUBLICATIONS

Minnesota Mining and Manufacturing Company, Cat. Nos. LH-51 and LH-54, "Manual Label Dispenser" (undated).

Minnesota Mining and Manufacturing Co., "G-Series Manual Dispensers" (undated).

Minnesota Mining and Manufacturing Co., "Scotch-Brand Heavy Duty Dispensers" (undated).

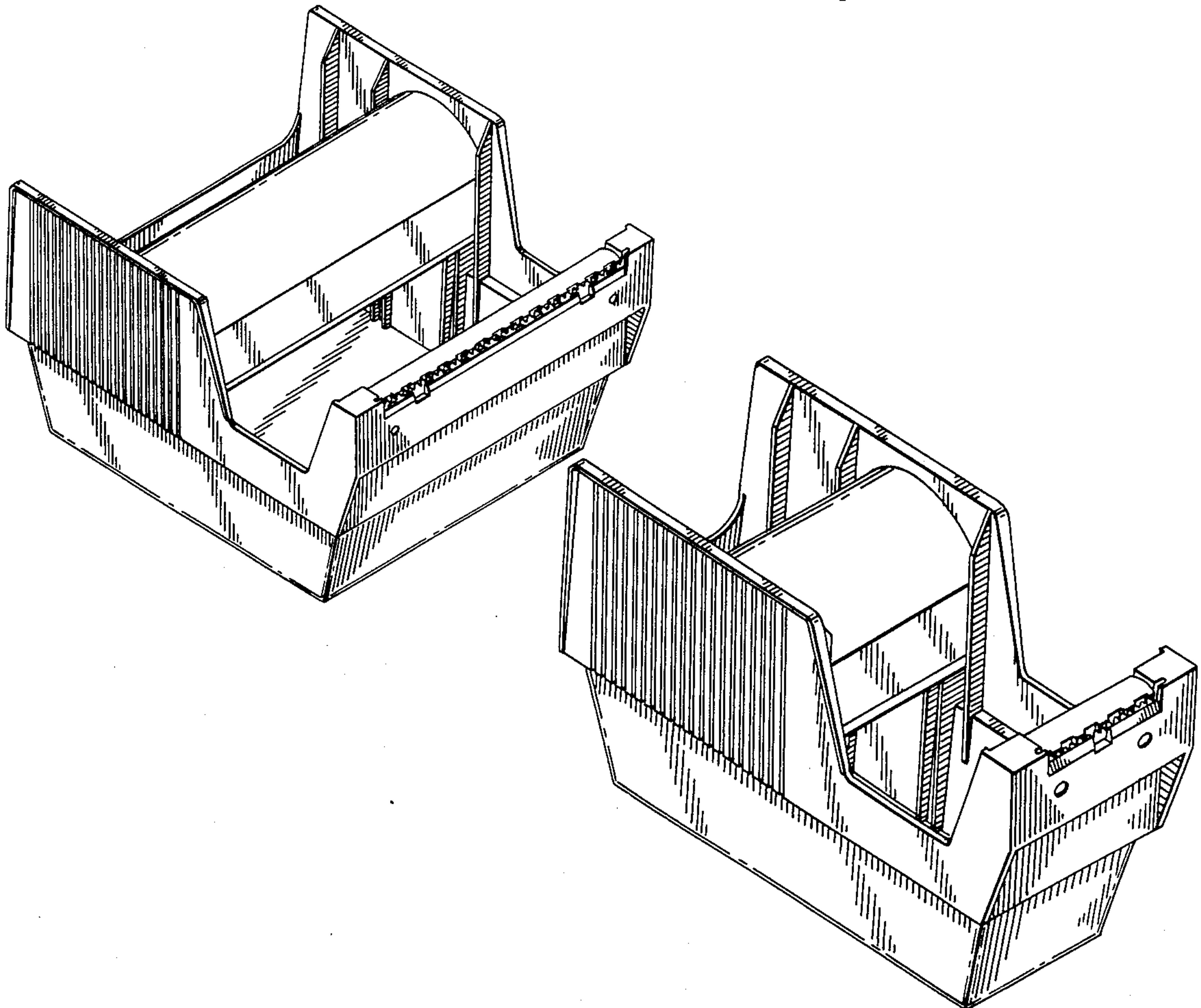
Primary Examiner—Charles A. Rademaker  
Attorney, Agent, or Firm—Donald M. Sell; Leland D. Schultz

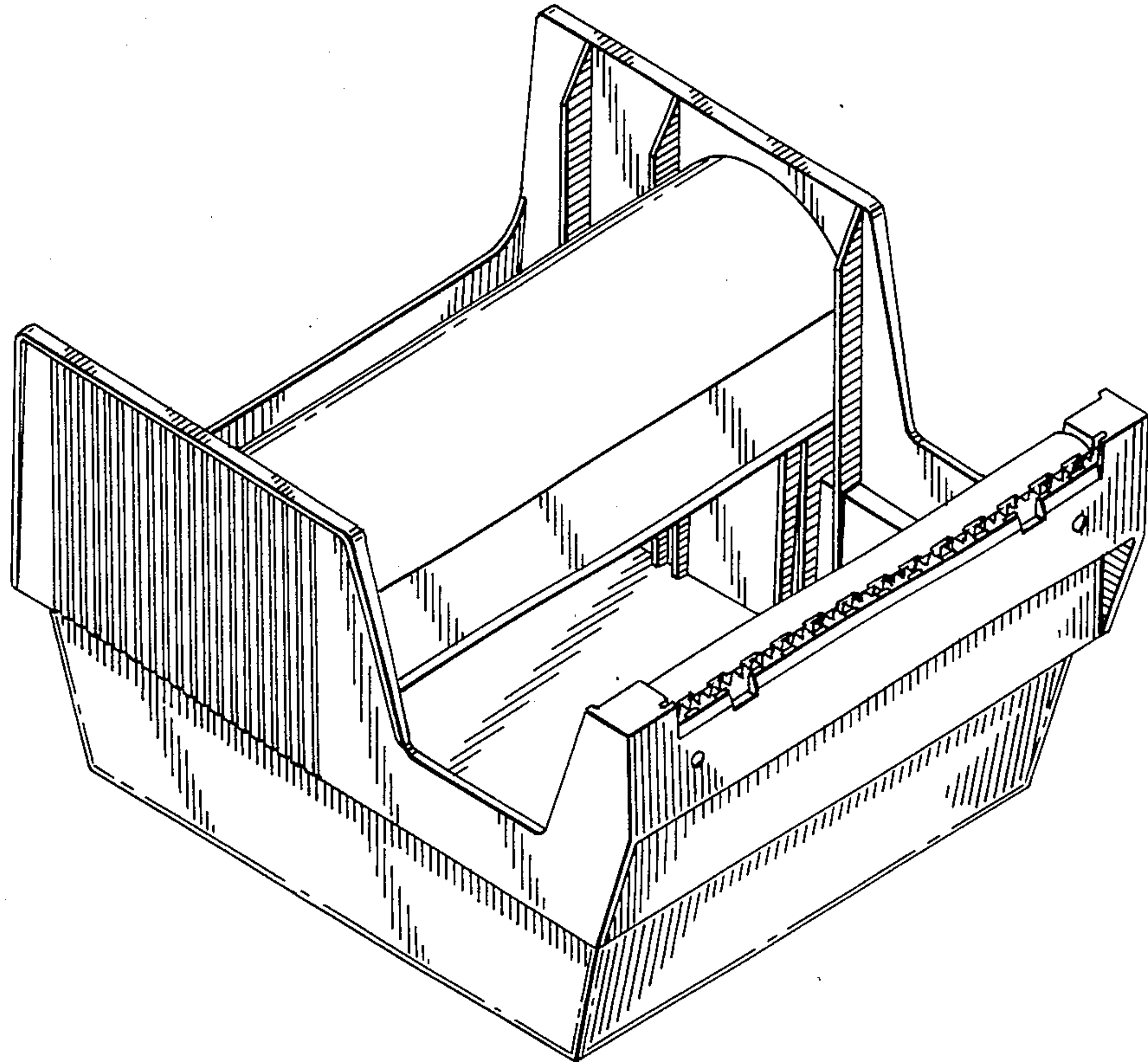
[57] CLAIM

The ornamental design for an adhesive tape dispenser, as shown, and described.

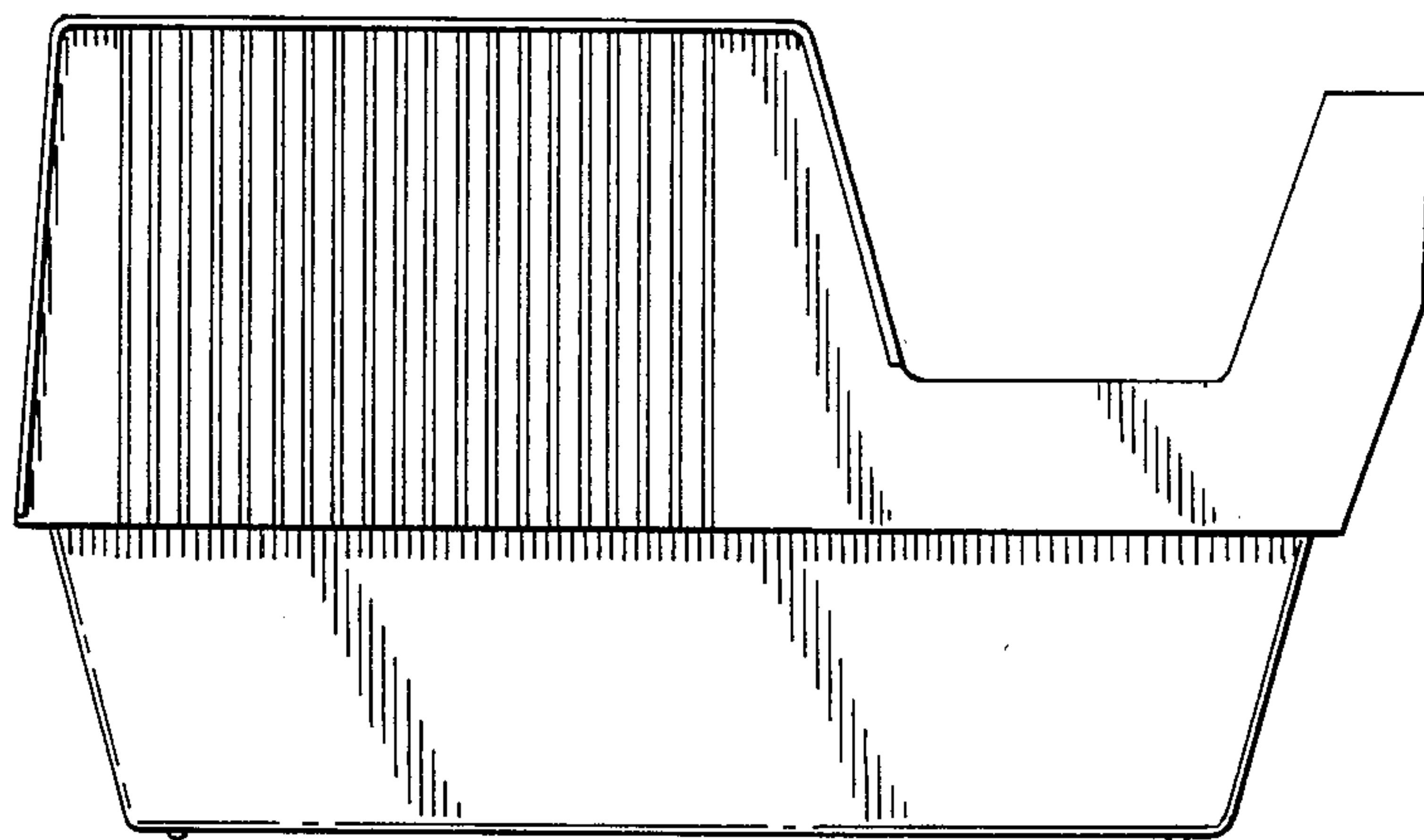
DESCRIPTION

FIG. 1 is a perspective view of an adhesive tape dispenser showing our new design; FIG. 2 is a left side elevational view, the right side being a mirror image thereof; FIG. 3 is a top plan view; FIG. 4 is a front elevational view; FIG. 5 is a rear elevational view; FIG. 6 is a bottom plan view; FIG. 7 is a perspective view of a modified embodiment of the design shown in FIGS. 1 through 6; FIG. 8 is a top plan view thereof; FIG. 9 is a front elevational view thereof; FIG. 10 is a rear elevational view thereof; and, FIG. 11 is a bottom plan view thereof.

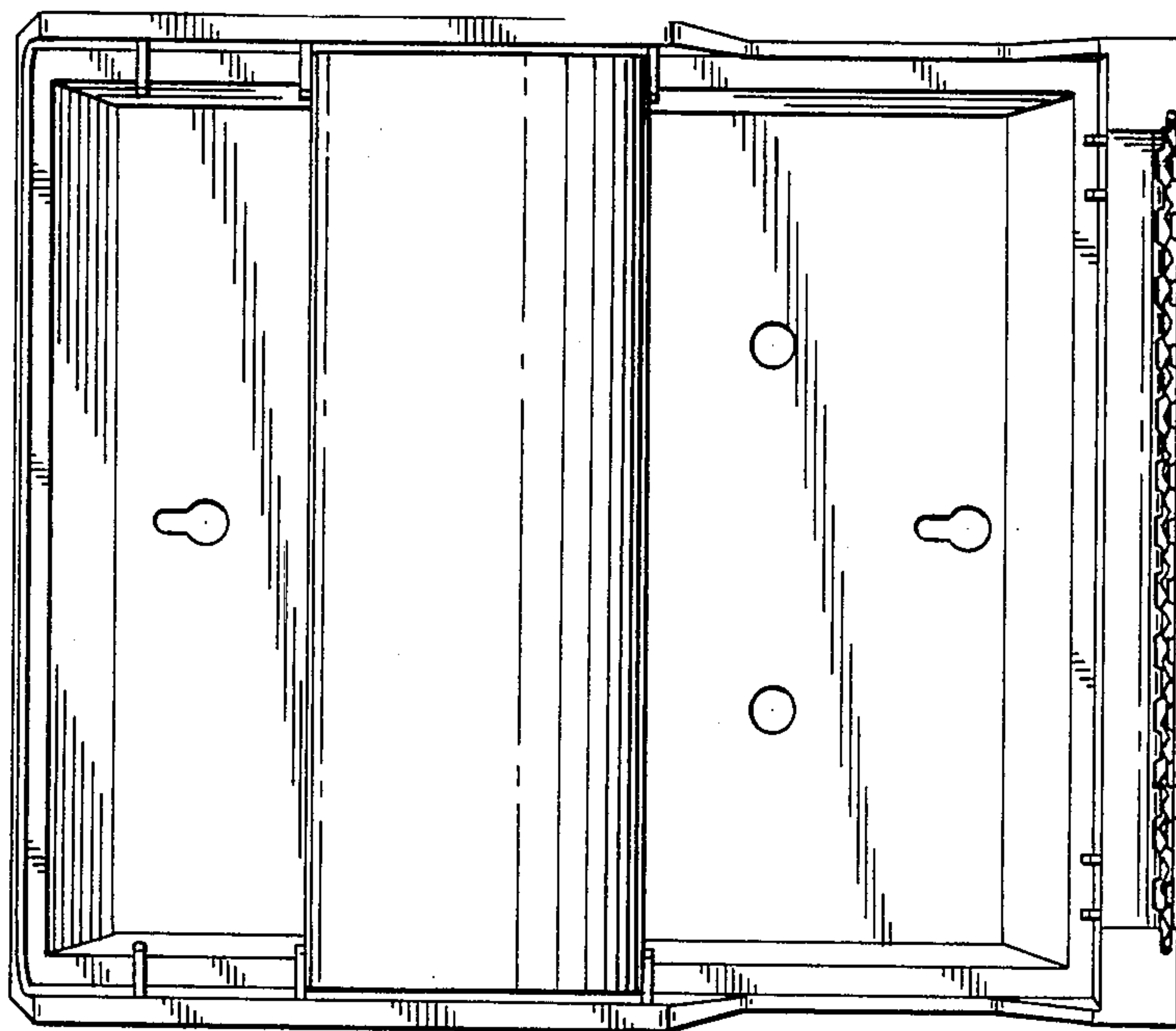




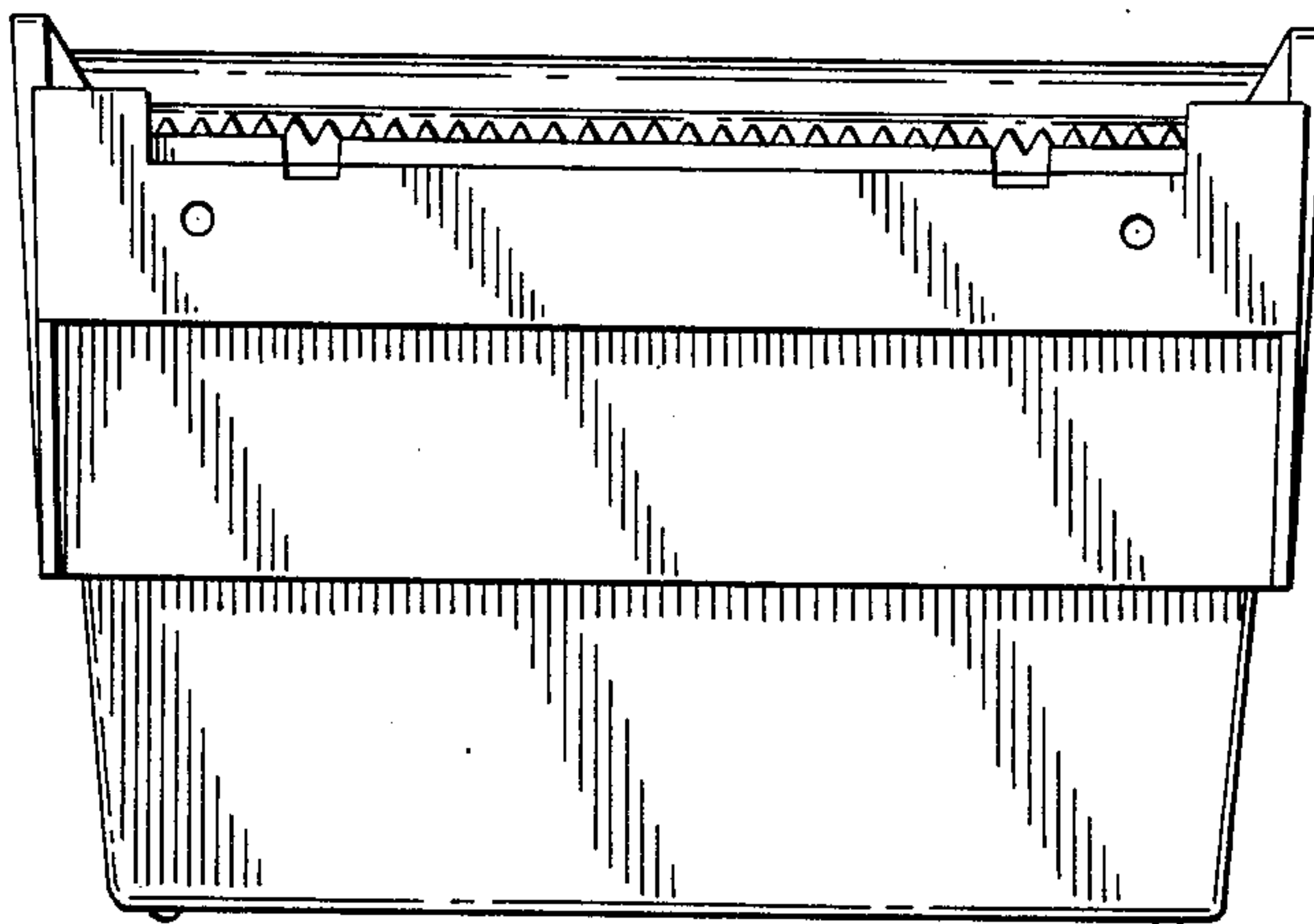
*FIG. 1*



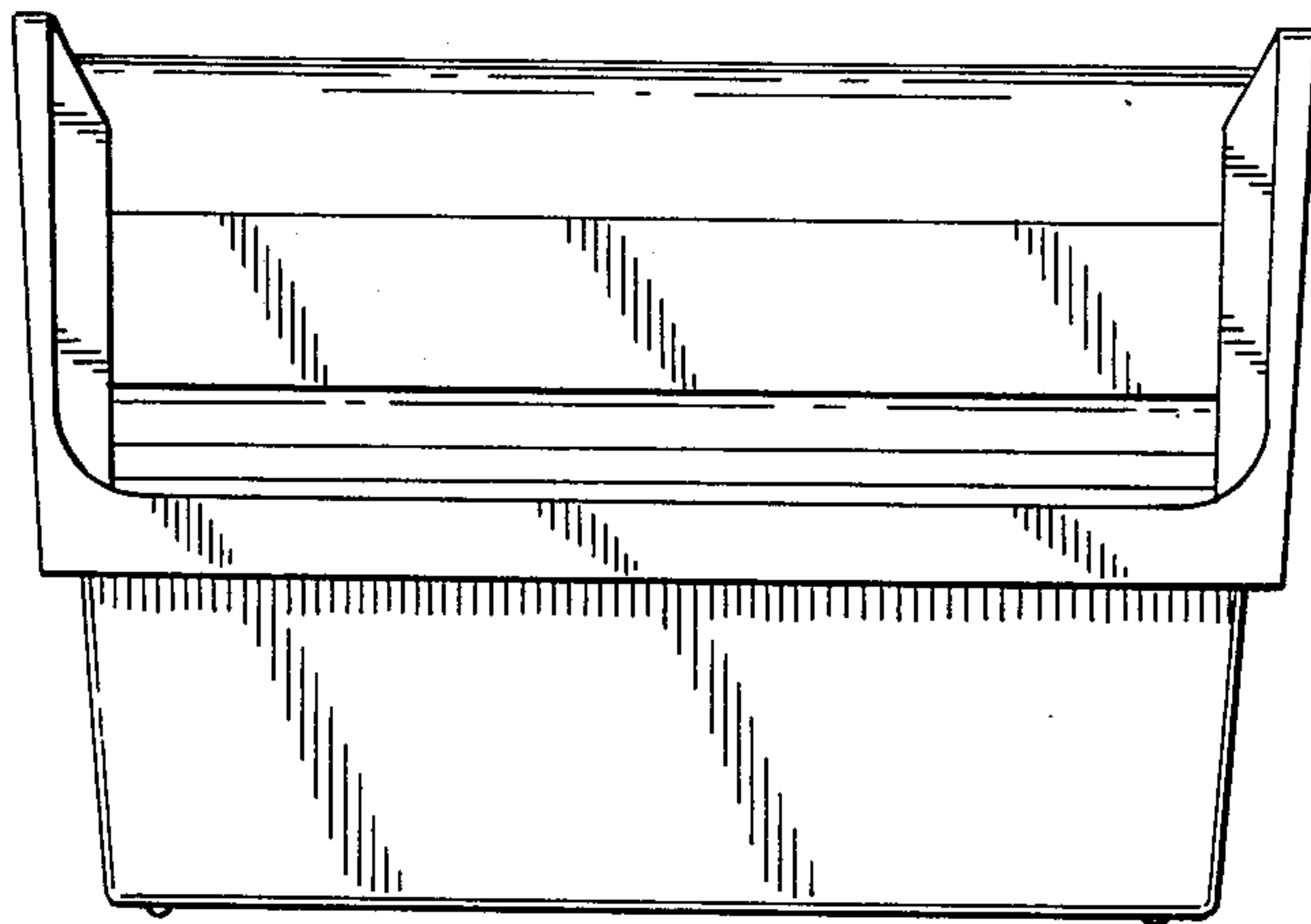
*FIG. 2*



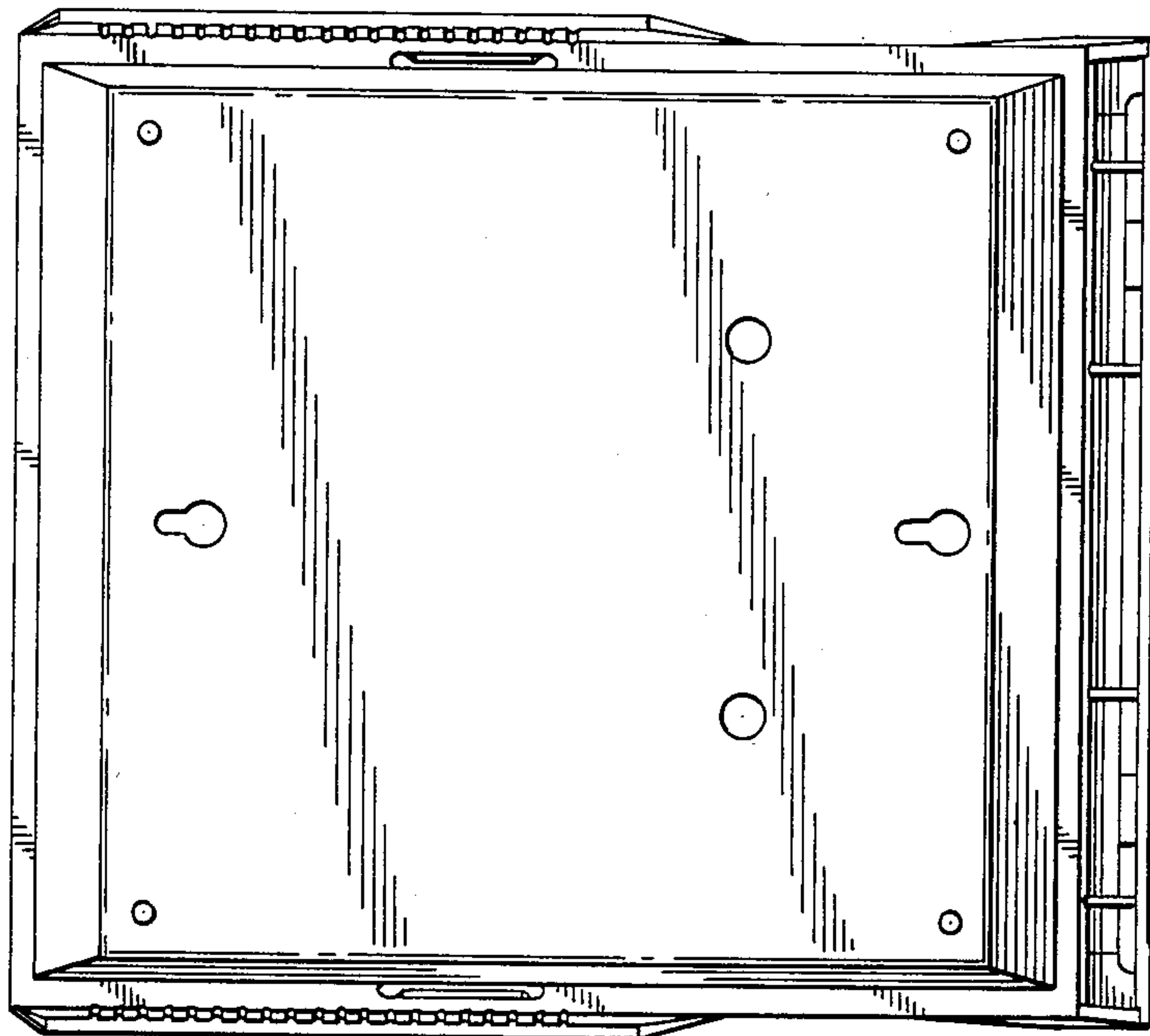
*FIG. 3*



*FIG. 4*

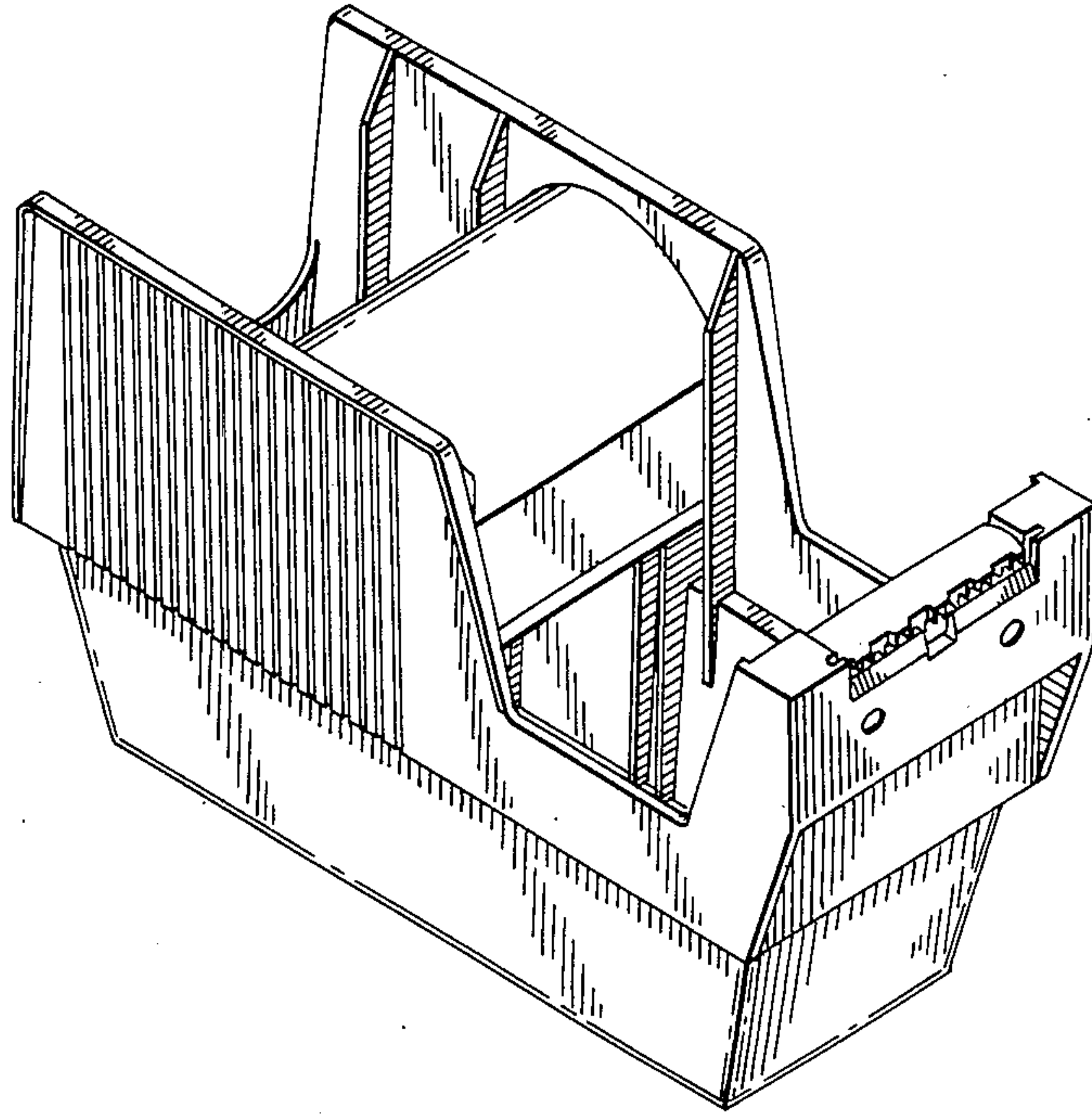


*FIG. 5*

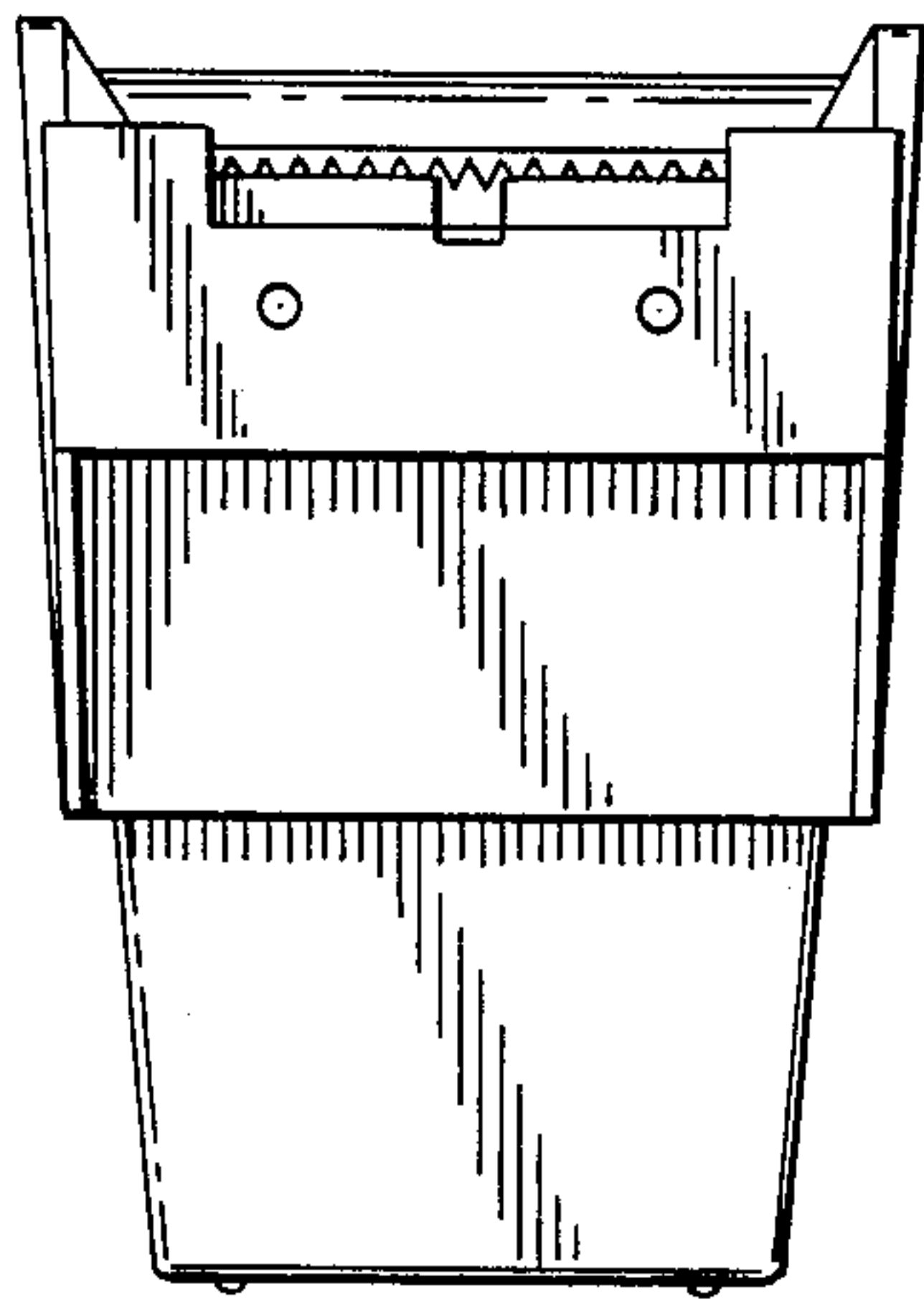


*FIG. 6*

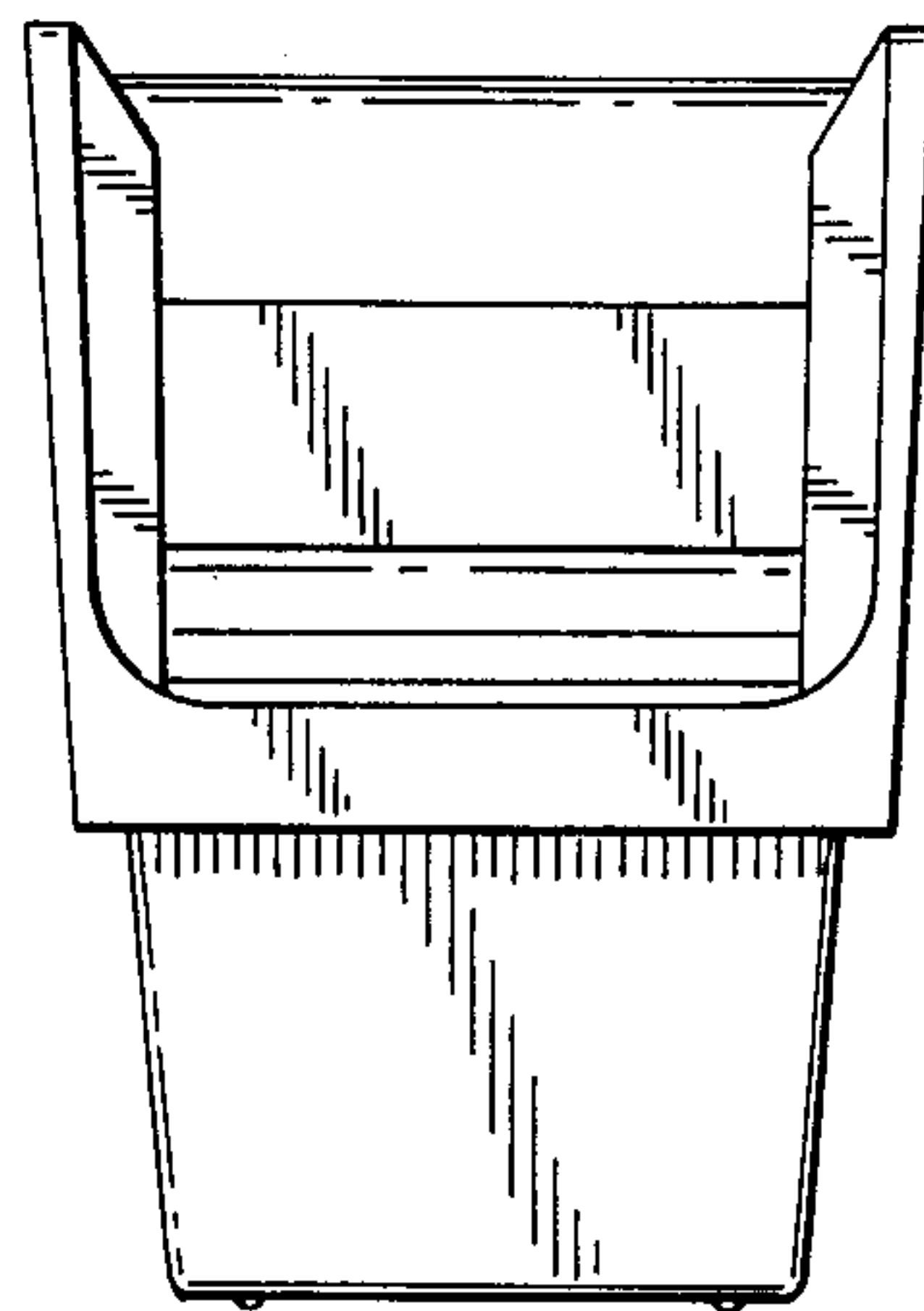




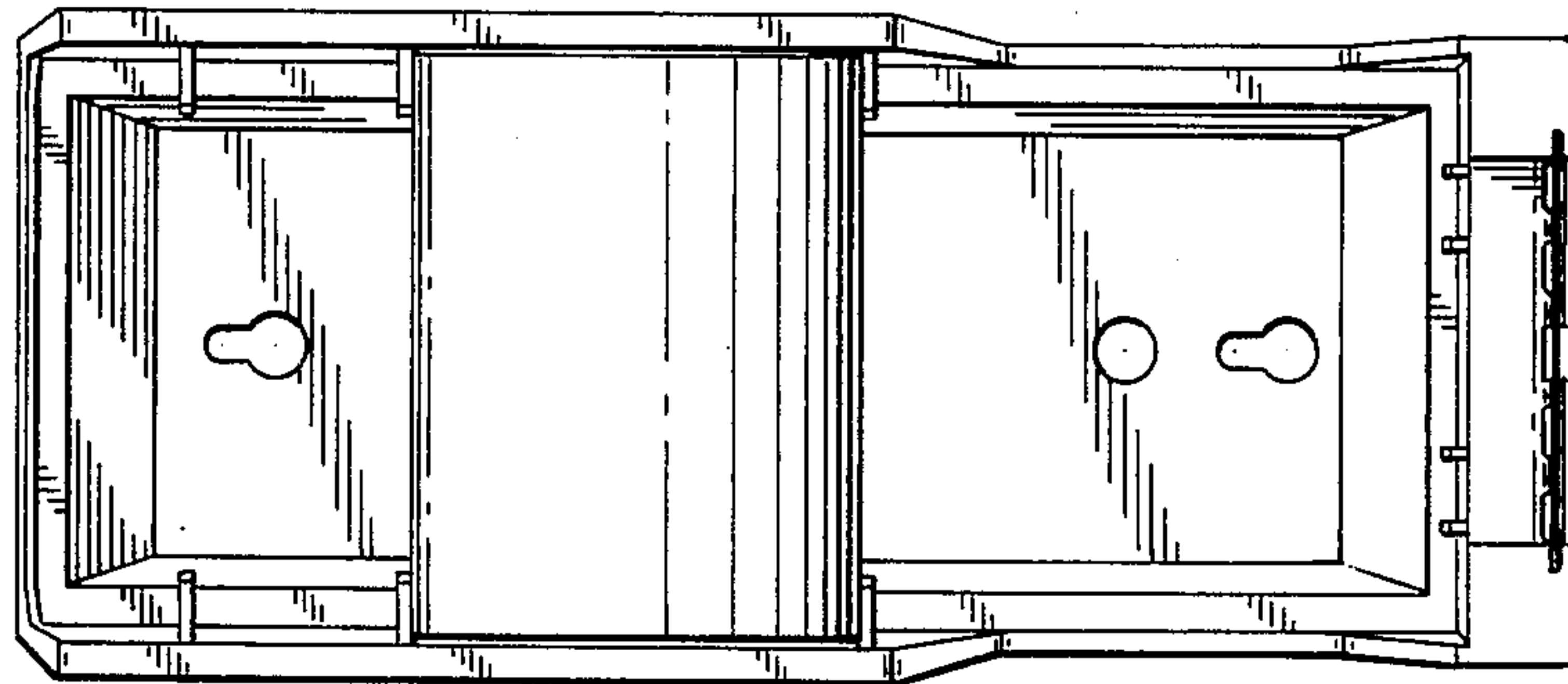
*FIG. 7*



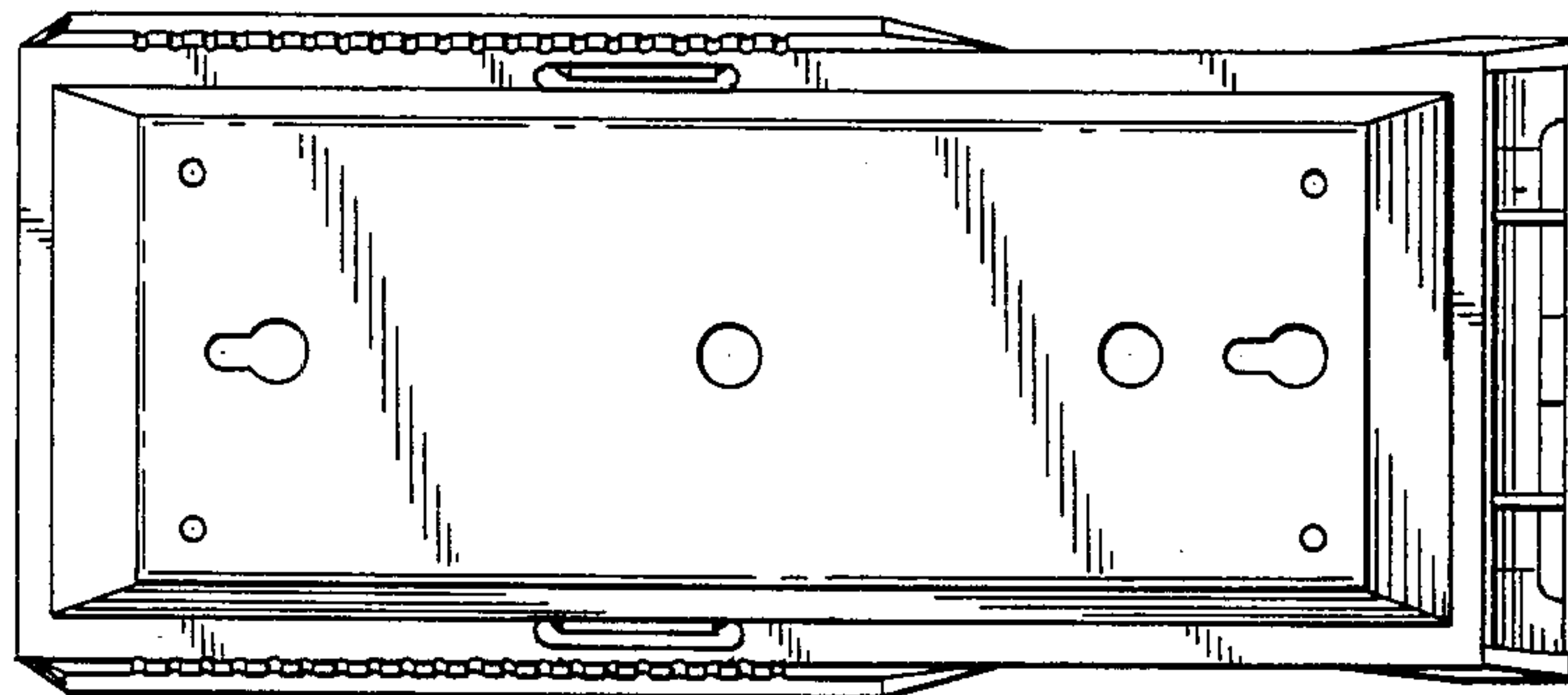
*FIG. 9*



*FIG. 10*



*FIG. 8*



*FIG. 11*