

[54] FILE ORGANIZER

[76] Inventor: Shih-Ming Hwang, No. 11, Alley 12,  
Lane 7, Ching-Tyan St., Taipei,  
Taiwan

[\*\*] Term: 14 Years

[21] Appl. No.: 806,406

[22] Filed: Dec. 9, 1985

[52] U.S. Cl. .... D19/90; D19/75

[58] Field of Search ..... D19/65, 95, 99, 100,  
D19/75, 86, 90, 91, 92; 211/10, 11, 42, 45, 50,  
126, 128

[56] References Cited

U.S. PATENT DOCUMENTS

D. 143,643 1/1946 Burger ..... D19/90  
D. 266,129 9/1982 Lidstrom ..... D19/90 X  
D. 268,119 3/1983 Evenson ..... D19/90 X

D. 284,482 7/1986 Sun ..... D19/92 X  
D. 289,181 4/1987 Solomon ..... D19/90  
4,438,852 3/1984 Evans ..... D19/75 X  
4,538,739 9/1985 Licari et al. .... 211/50 X

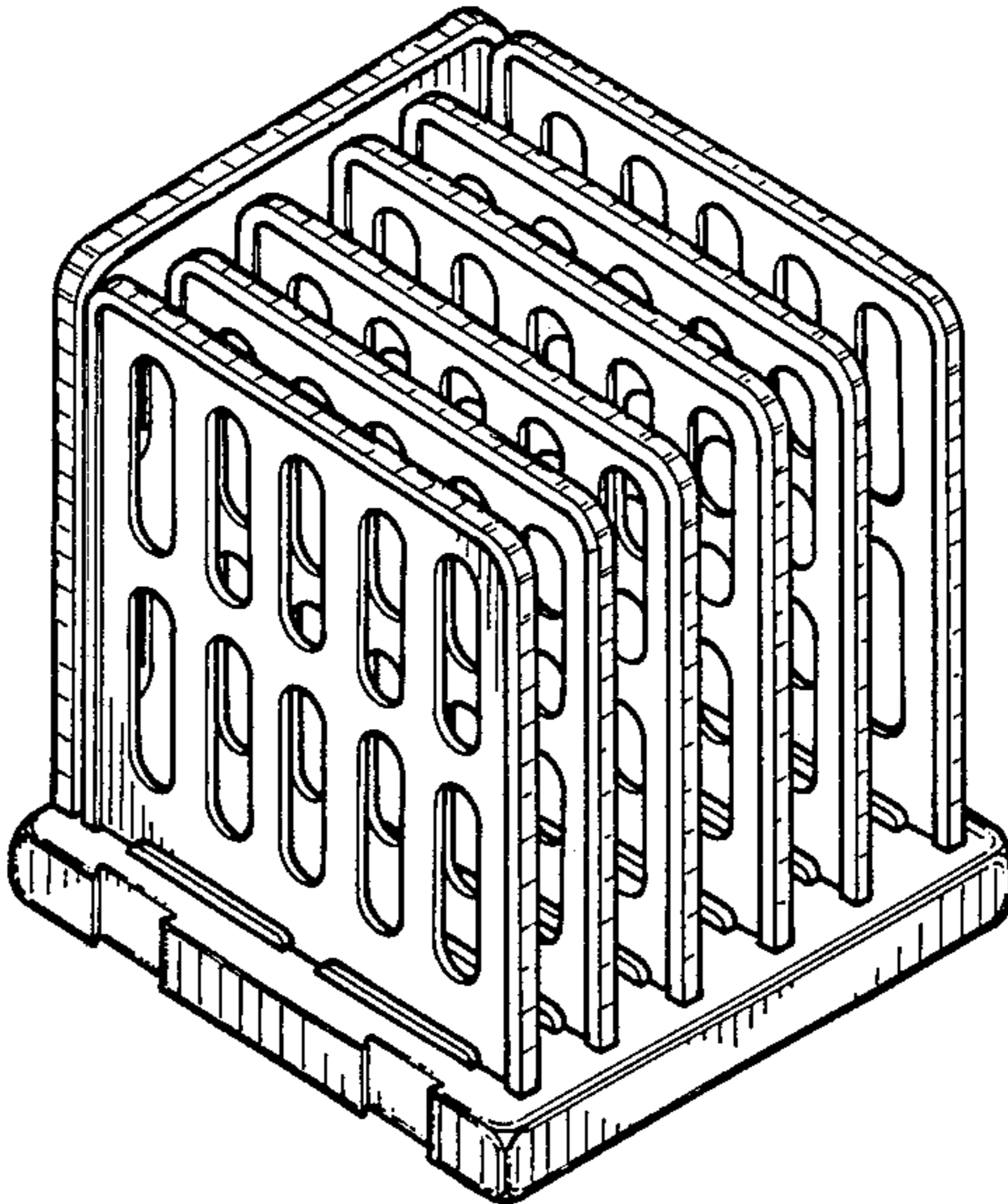
Primary Examiner—Bernard Ansher  
Assistant Examiner—Theodore M. Shooman  
Attorney, Agent, or Firm—Lane and Aitken

[57] CLAIM

The ornamental design for file organizer, as shown.

DESCRIPTION

FIG. 1 is a top, front and left side perspective view of a file organizer showing my new design; FIG. 2 is a front elevational view thereof; FIG. 3 is a rear elevational view thereof; FIG. 4 is a right side elevational view thereof; FIG. 5 is a left side elevational view thereof; FIG. 6 is a top plan view thereof; and FIG. 7 is a bottom plan view thereof.



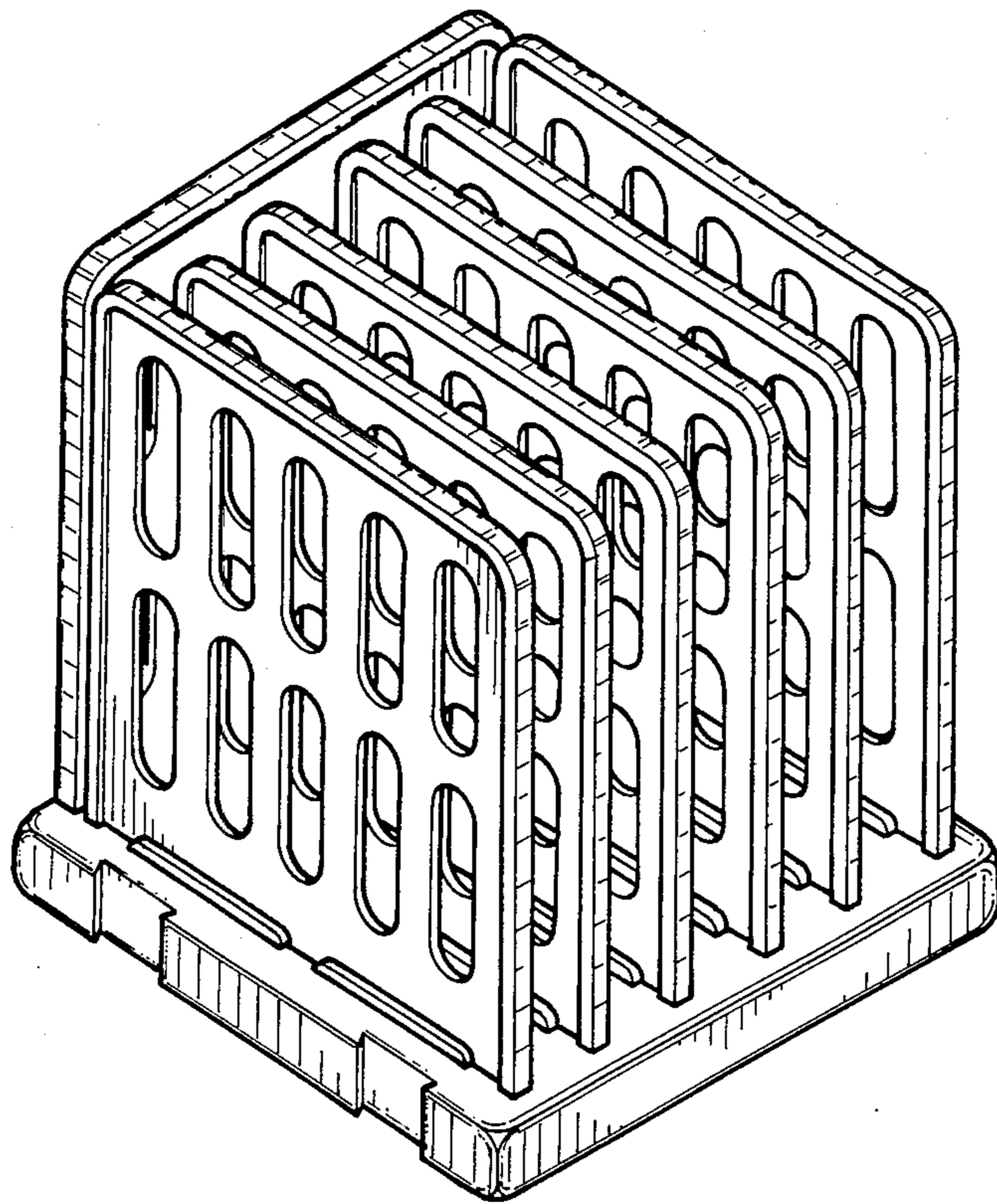


FIG. 1

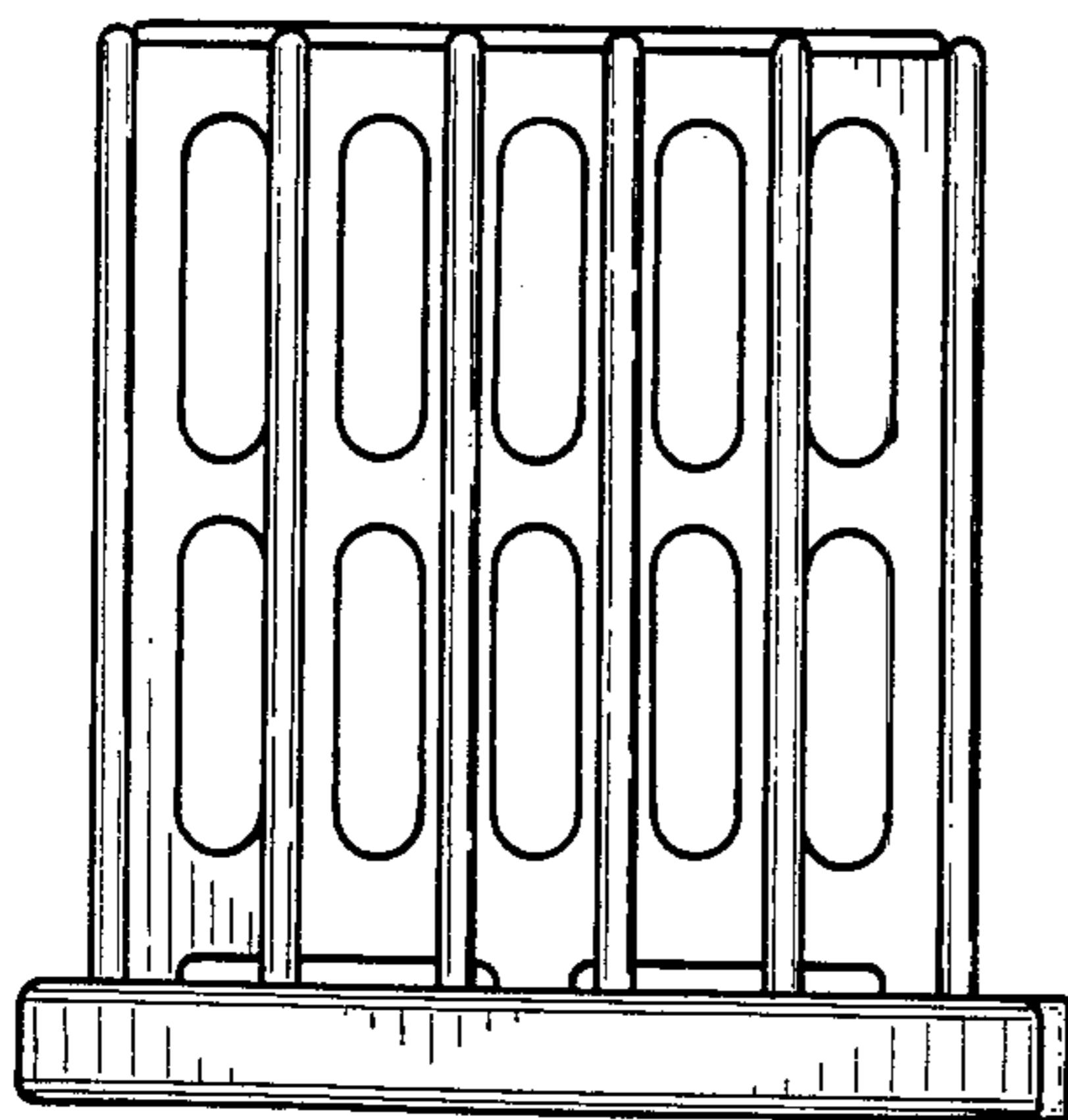


FIG. 2

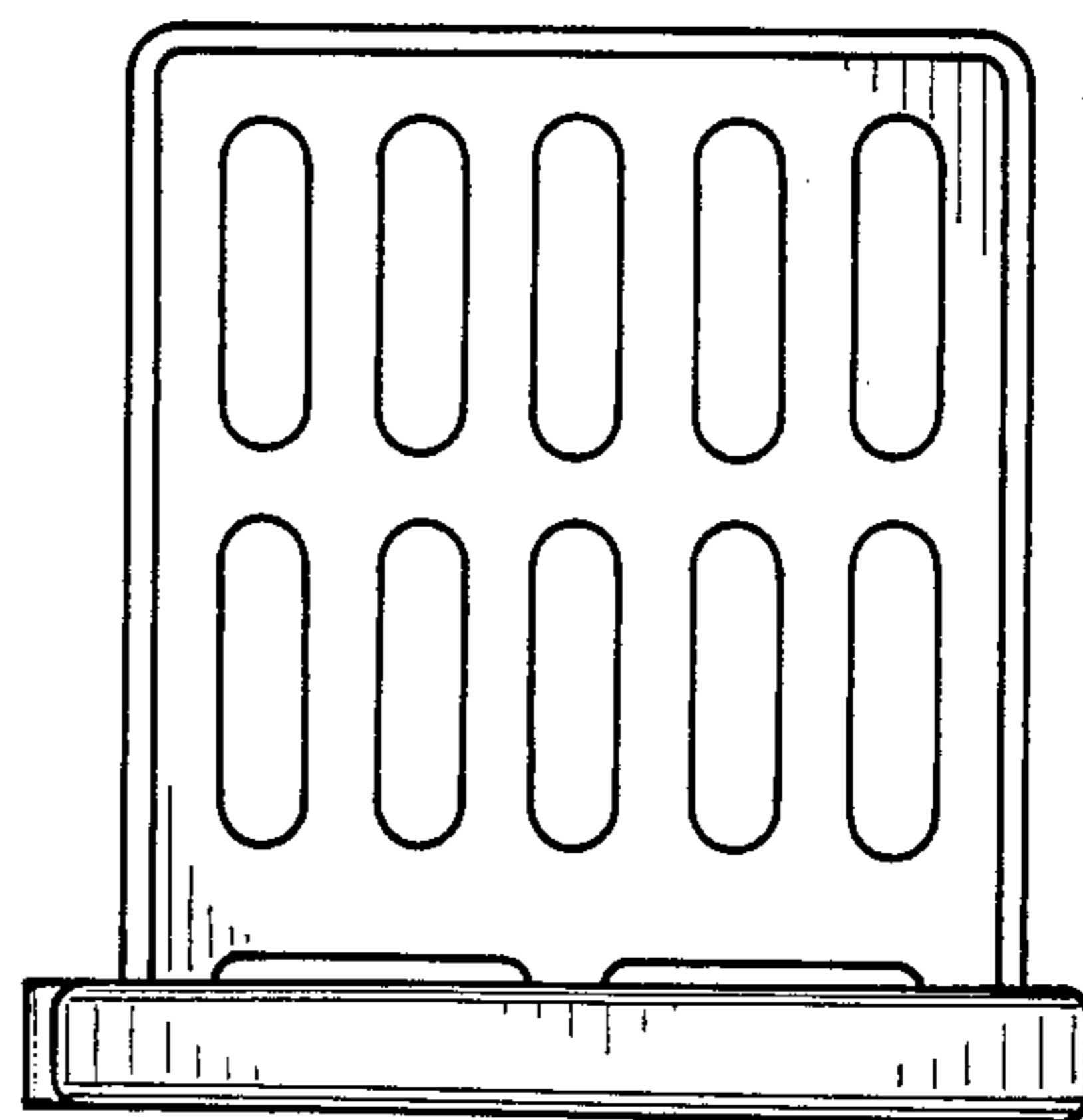


FIG. 3

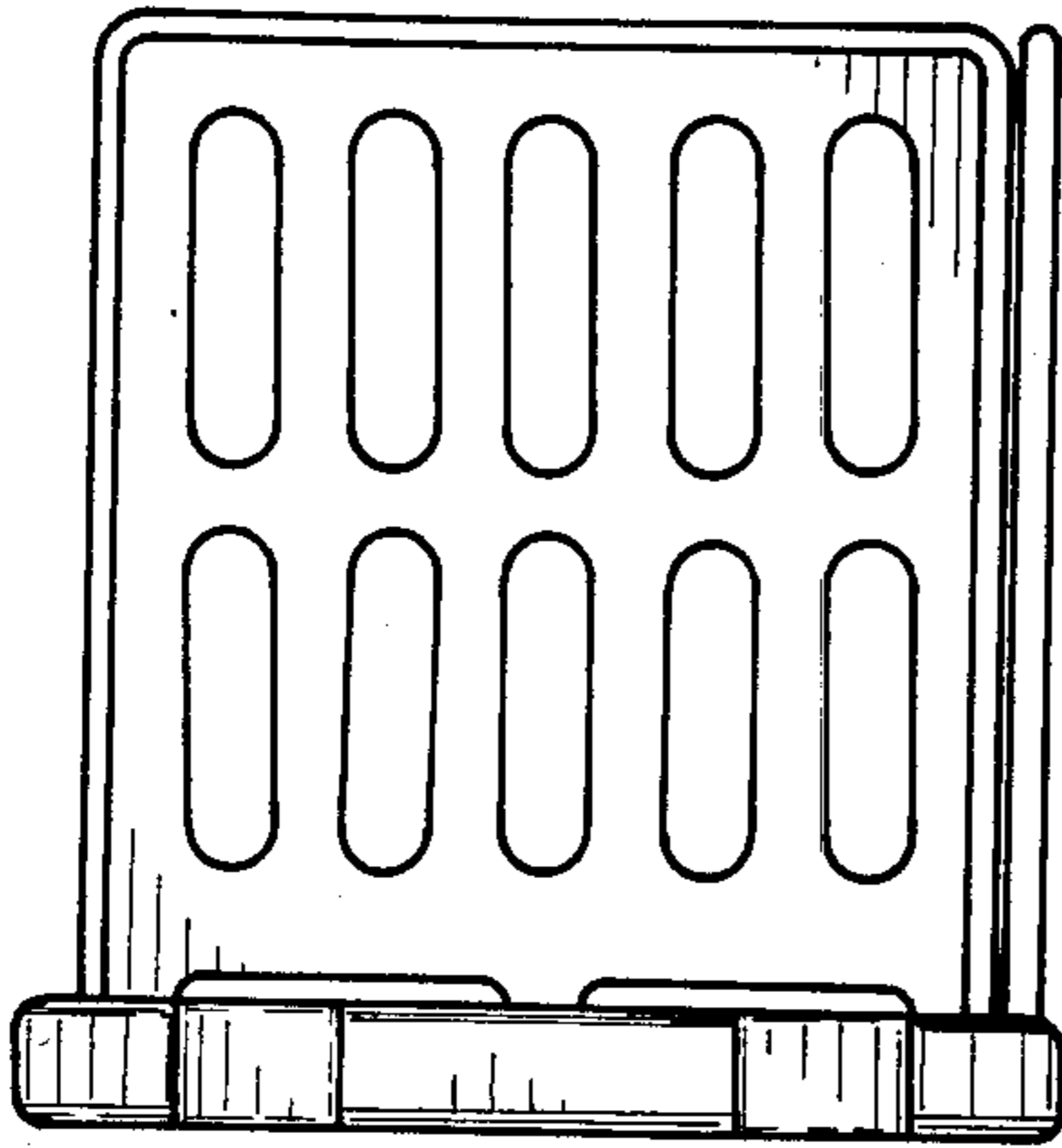


FIG. 4

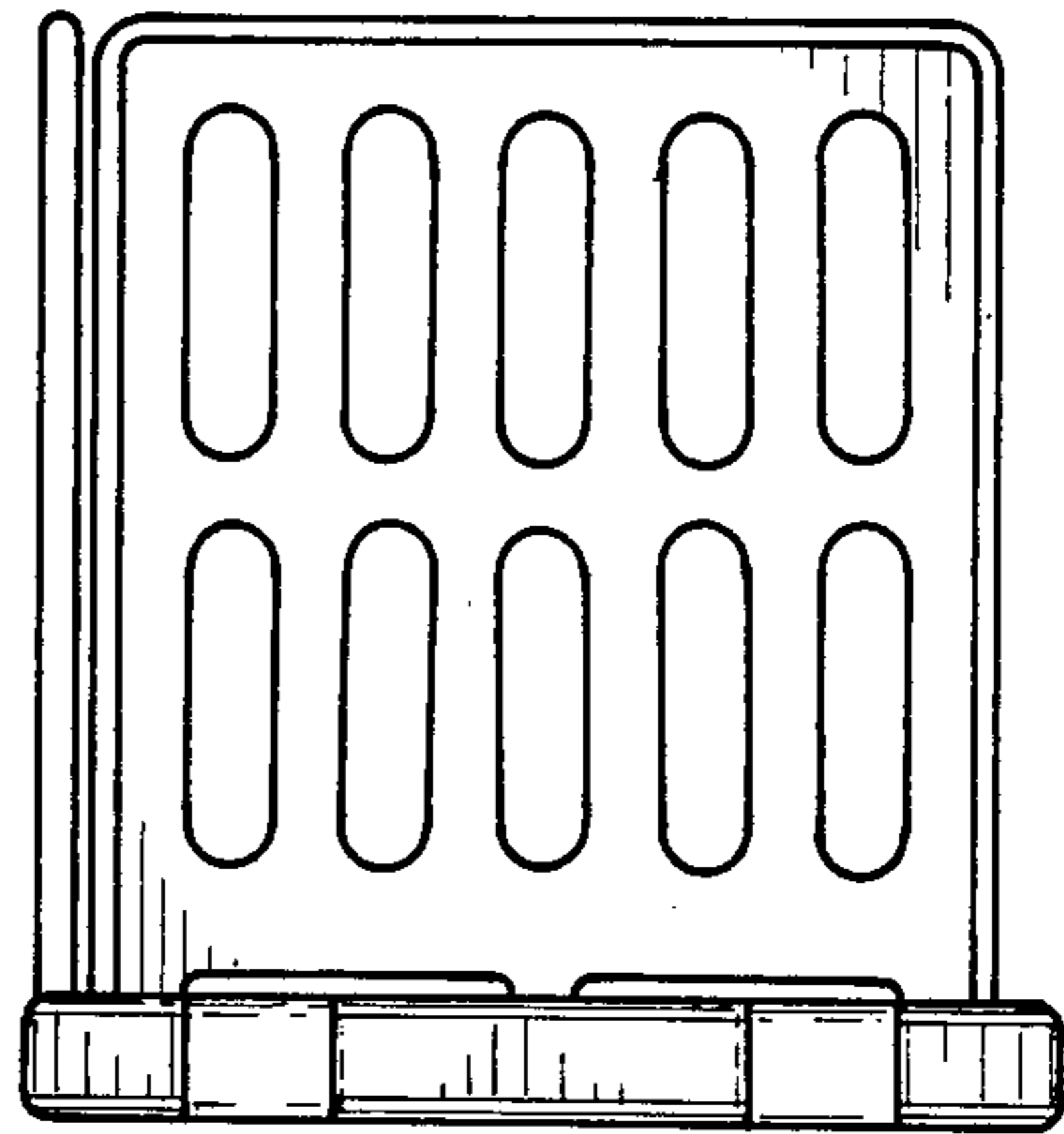


FIG. 5

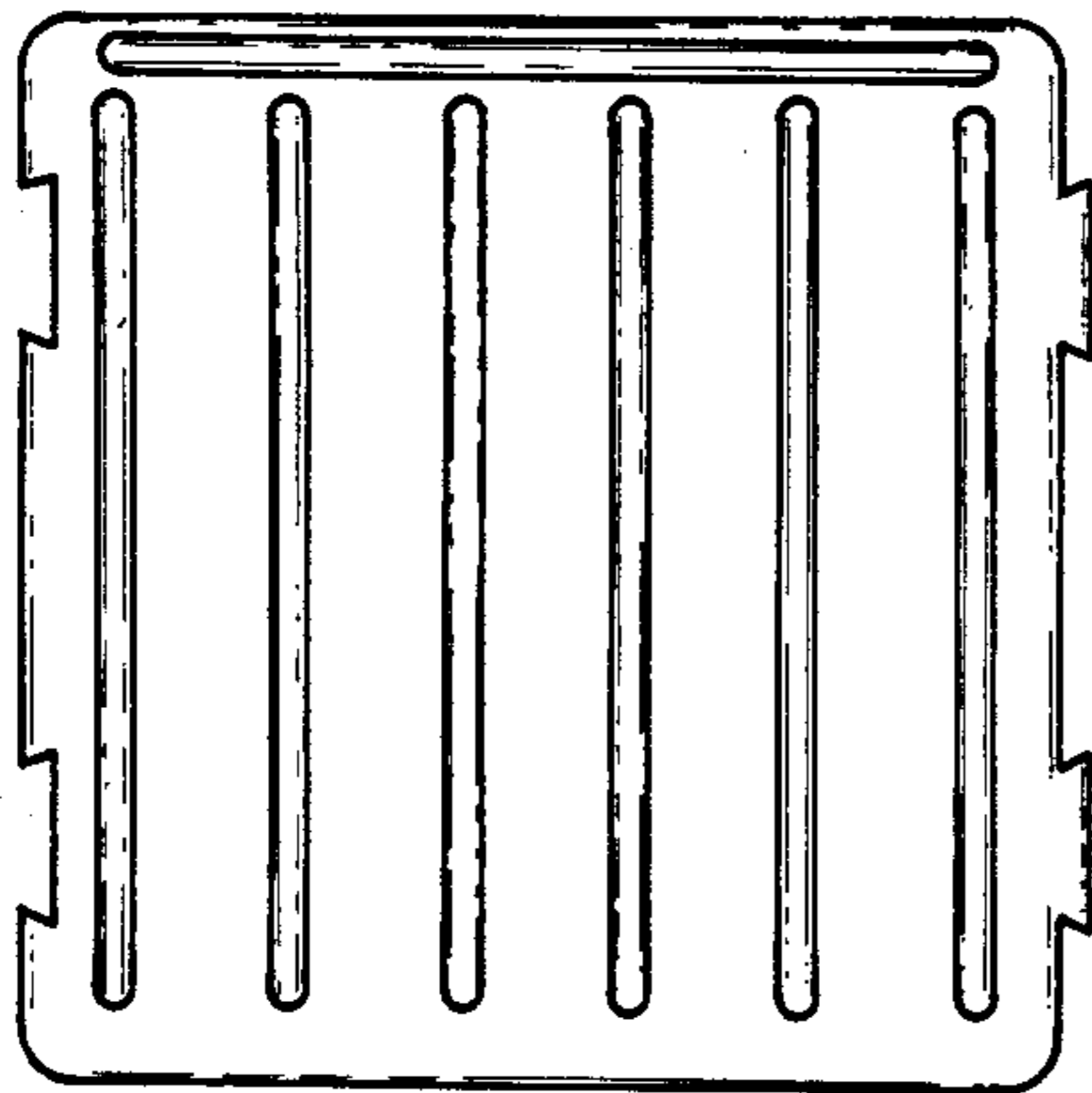


FIG. 6

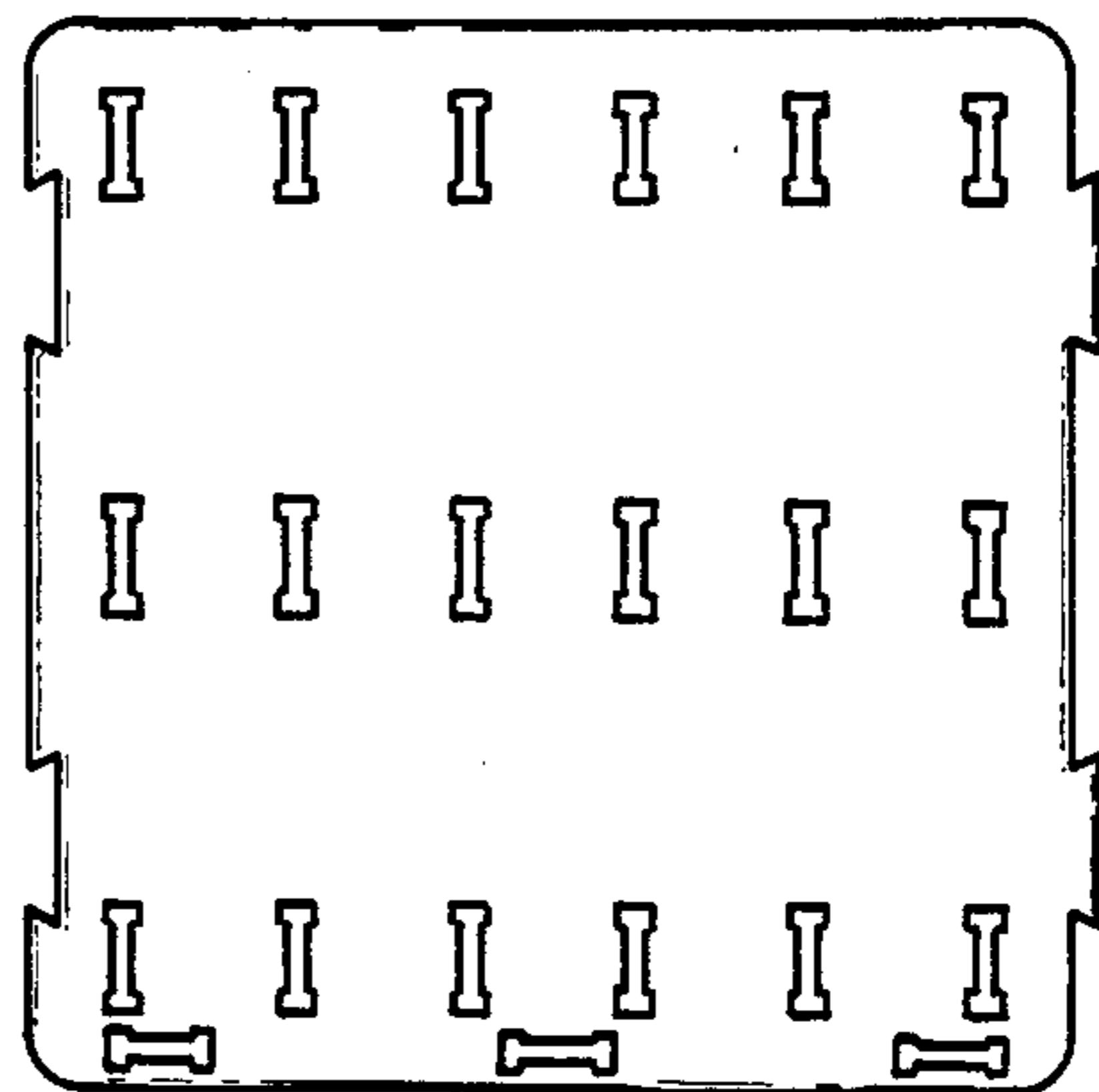


FIG. 7