

[54] **HANDLE FOR ROLL OF PLASTIC FILM**
[76] **Inventor: Joseph Goldstein, 1700 Palisades Dr., Pacific Palisades, Calif. 90272**
[**] **Term: 14 Years**
[21] **Appl. No.: 913,216**
[22] **Filed: Sep. 29, 1986**
[52] **U.S. Cl. D15/145**
[58] **Field of Search D15/145; D8/300, 310, D8/311, 312, 352; 242/68.4, 96, 99; 53/556, 587**

4,248,392 2/1981 Parry 242/99
4,484,717 11/1984 Goldstein 242/96
4,575,020 3/1986 Strout et al. 53/556
4,600,163 7/1986 Hummel et al. 242/99
4,706,442 11/1987 Riemenschneider 53/556

Primary Examiner—B. J. Bullock
Attorney, Agent, or Firm—Allan M. Shapiro

[57] **CLAIM**

The ornamental design for a handle for roll of plastic film, as shown.

DESCRIPTION

FIG. 1 is a perspective view of a handle for roll of plastic film showing my new design;
FIG. 2 is an enlarged side elevational view thereof;
FIG. 3 is an enlarged left end elevational view thereof;
FIG. 4 is an enlarged right end elevational view thereof.

[56] **References Cited**
U.S. PATENT DOCUMENTS
D. 176,508 1/1956 Enos D8/311
D. 270,163 8/1983 Shulman D15/145
3,652,027 3/1972 Wong 242/99

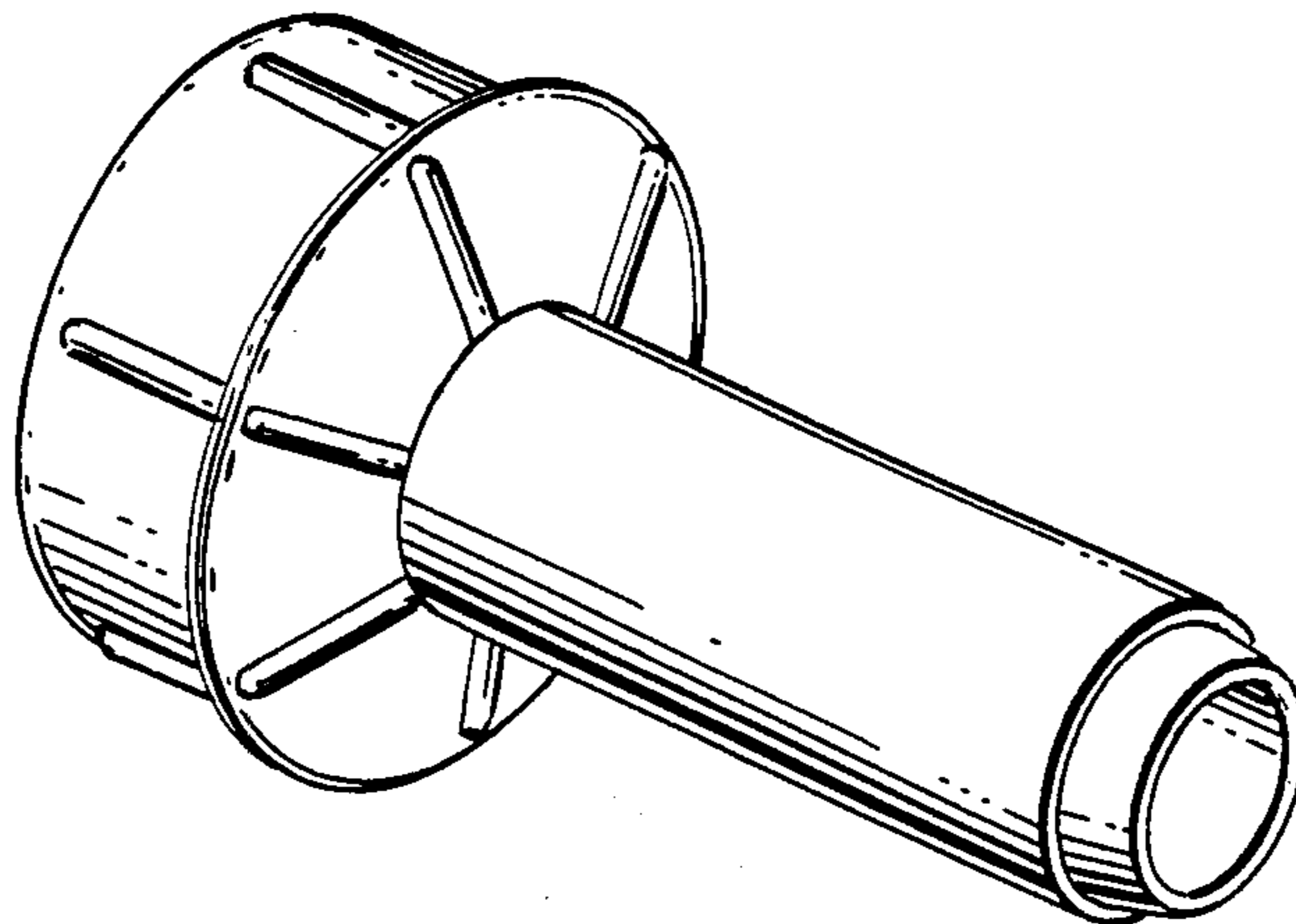


FIG. 2

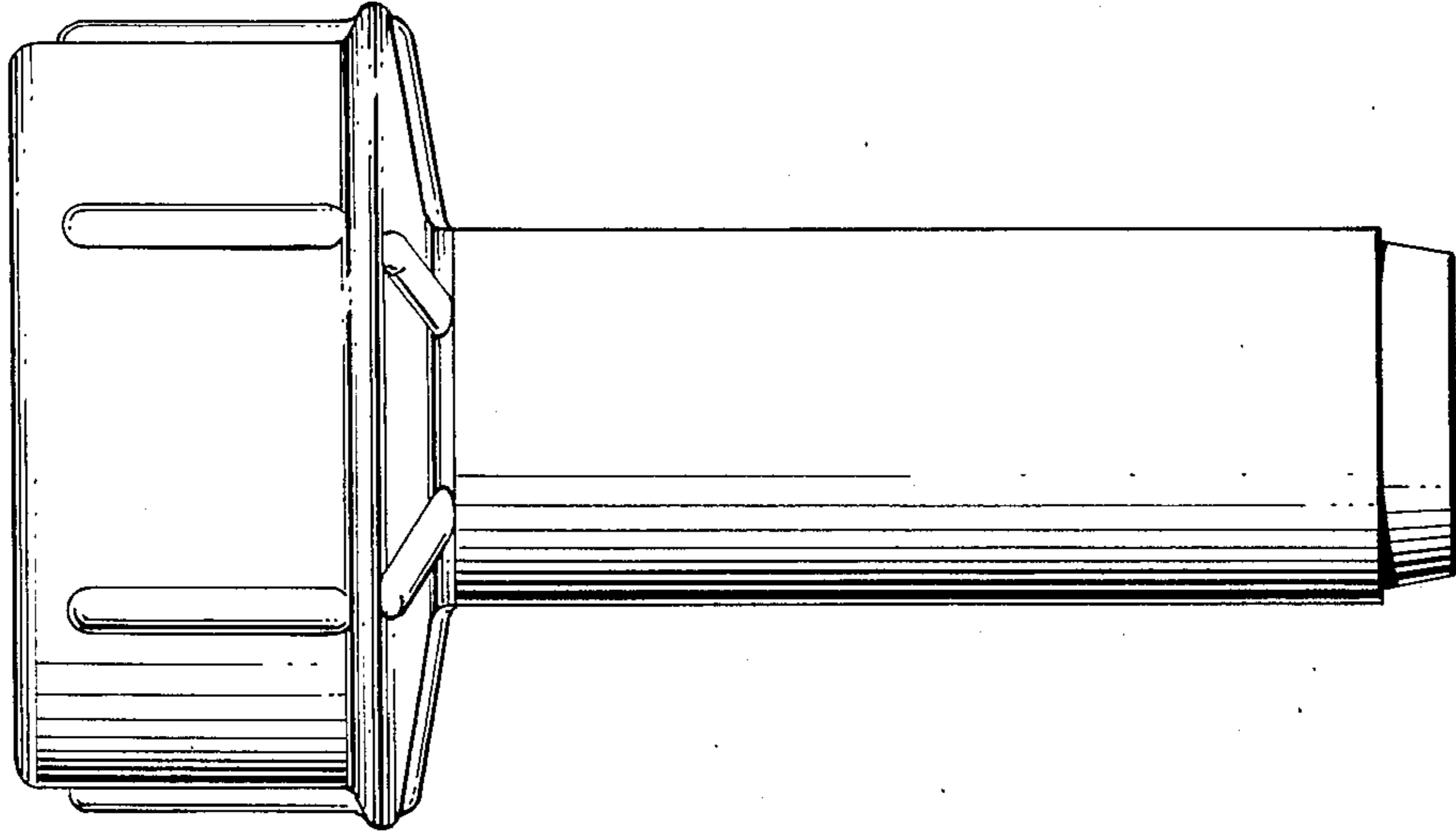


FIG. 3

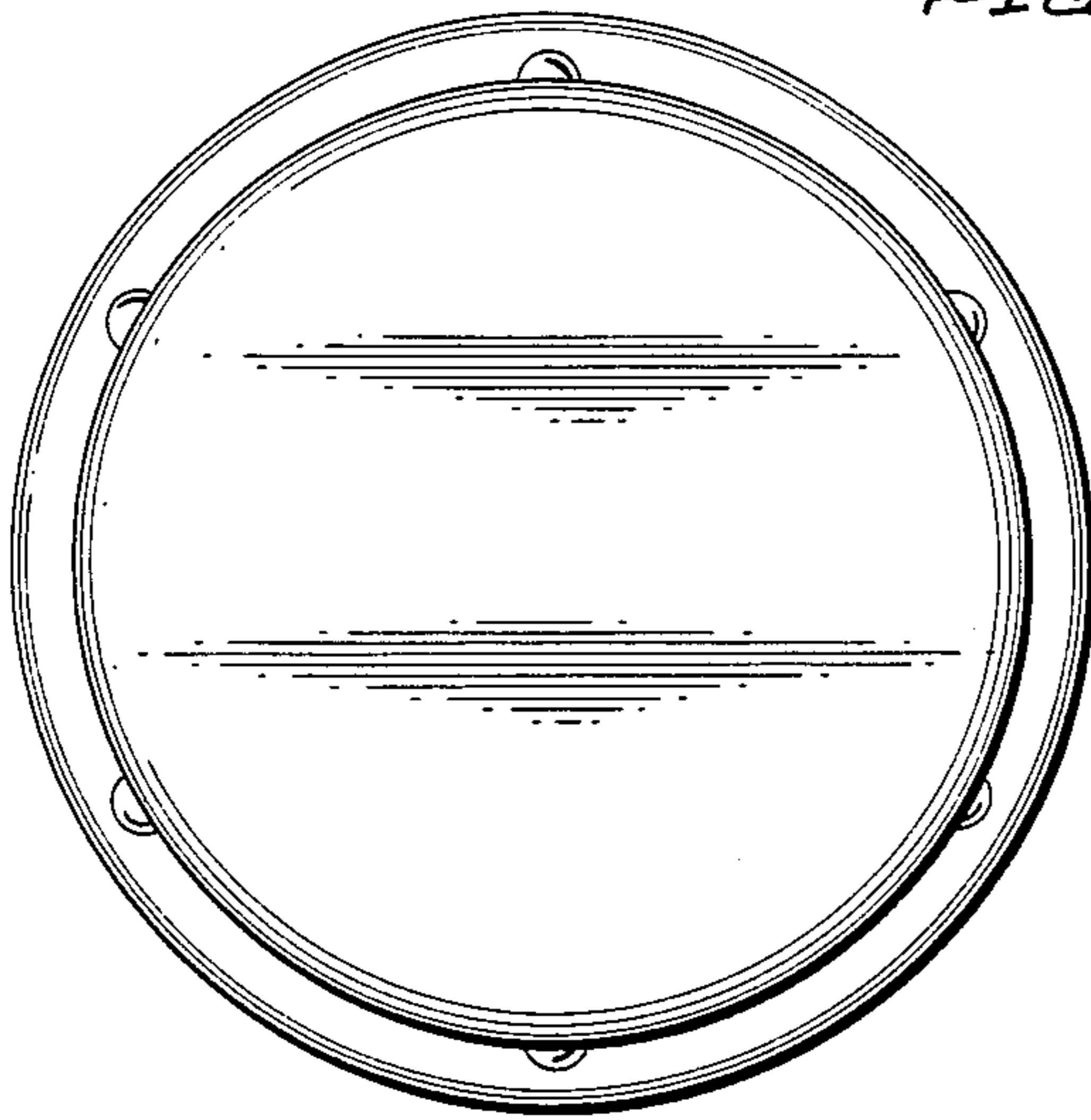


FIG. 4

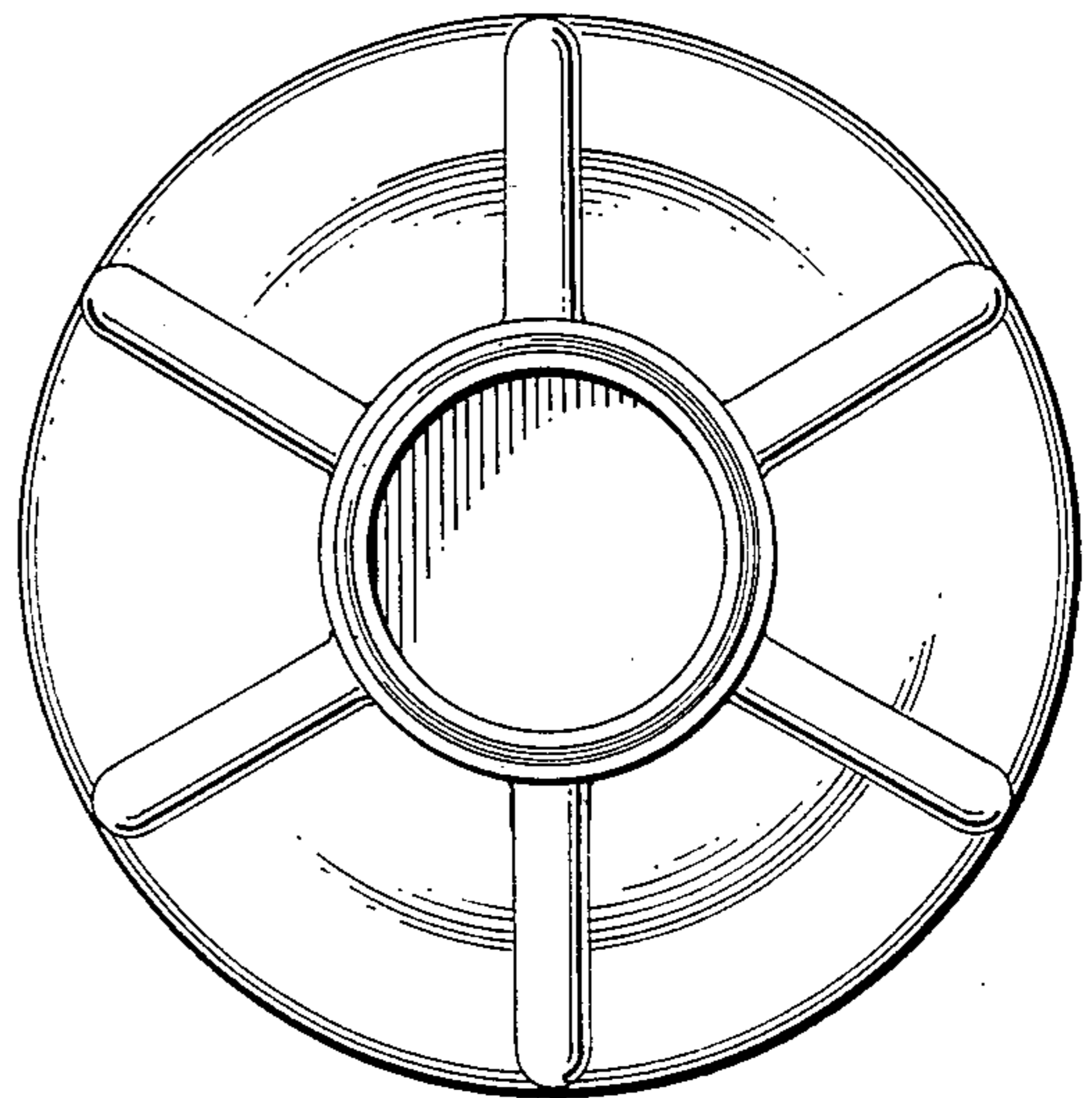


FIG. 1

