

# United States Patent [19]

Kosako et al.

[11] Patent Number: **Des. 299,653**

[45] Date of Patent: **\*\* Jan. 31, 1989**

[54] **COPYING MACHINE**

[75] Inventors: **Mikio Kosako; Ritsuko Makihara,**  
both of Osaka, Japan

[73] Assignee: **Sharp Corporation, Osaka, Japan**

[\*\*] Term: **14 Years**

[21] Appl. No.: **888,244**

[22] Filed: **Jul. 21, 1986**

[30] **Foreign Application Priority Data**

Jan. 22, 1986 [JP] Japan ..... 61-2474

[52] U.S. Cl. .... **D18/36**

[58] Field of Search ..... **D16/27-32,**  
**D16/31 K; D14/107, 94; 355/3 R, 3 SH, 5-11,**  
**14 R, 14 SH**

[56] **References Cited**

**U.S. PATENT DOCUMENTS**

D. 278,346 4/1985 Saito ..... D16/31

D. 287,022 12/1986 Kojima ..... D16/31  
D. 287,859 1/1987 Hashimoto ..... D16/31  
D. 292,593 11/1987 Morozumi ..... D16/31

*Primary Examiner*—Nelson C. Holtje  
*Attorney, Agent, or Firm*—Flehr, Hohbach, Test,  
Albritton & Herbert

[57] **CLAIM**

The ornamental design for a copying machine, as shown and described.

**DESCRIPTION**

FIG. 1 is a front and top left perspective view of a copying machine showing our new design with the tray extended;

FIG. 2 is a front elevational view thereof with the tray folded;

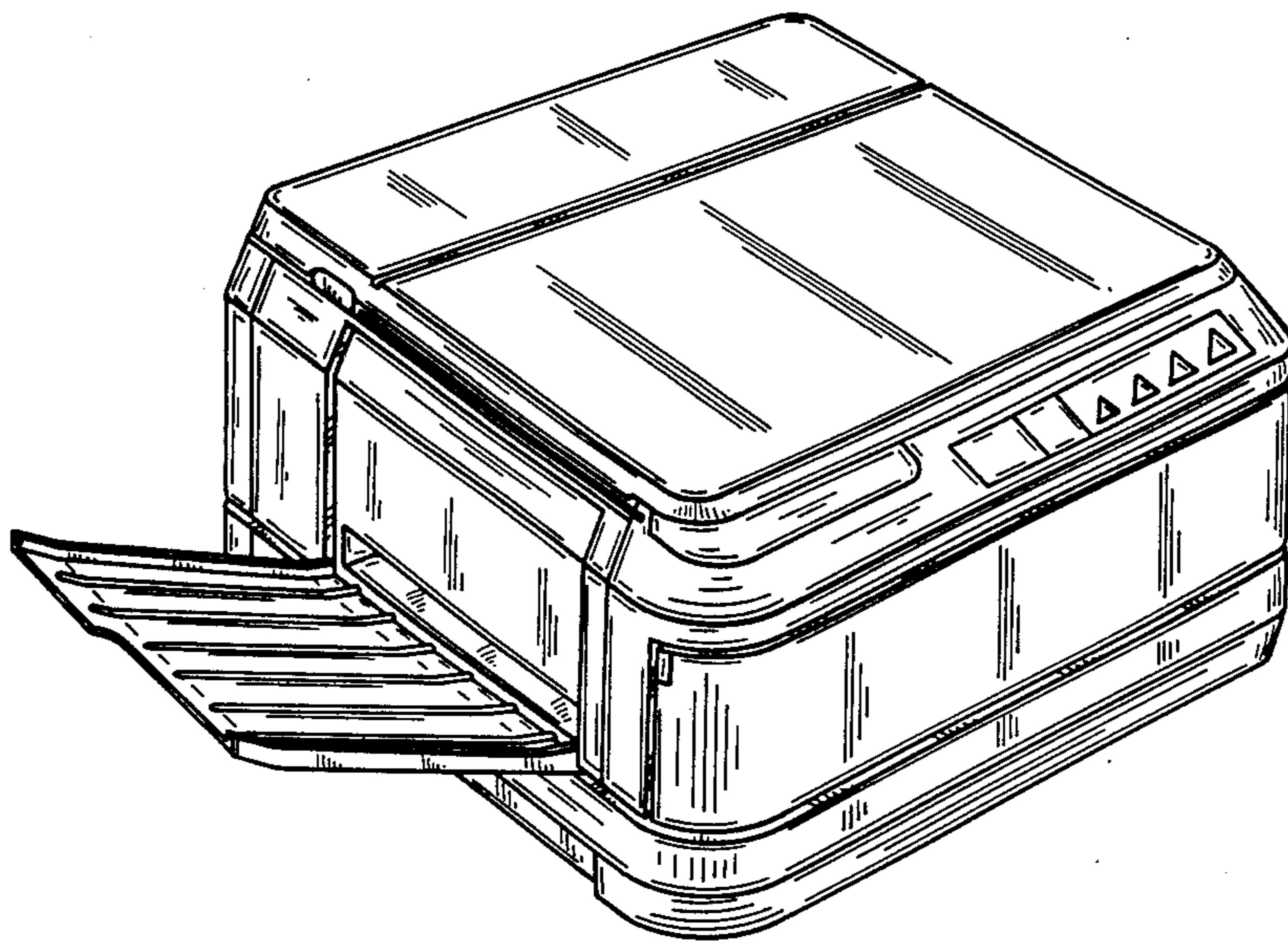
FIG. 3 is a rear elevational view of FIG. 2;

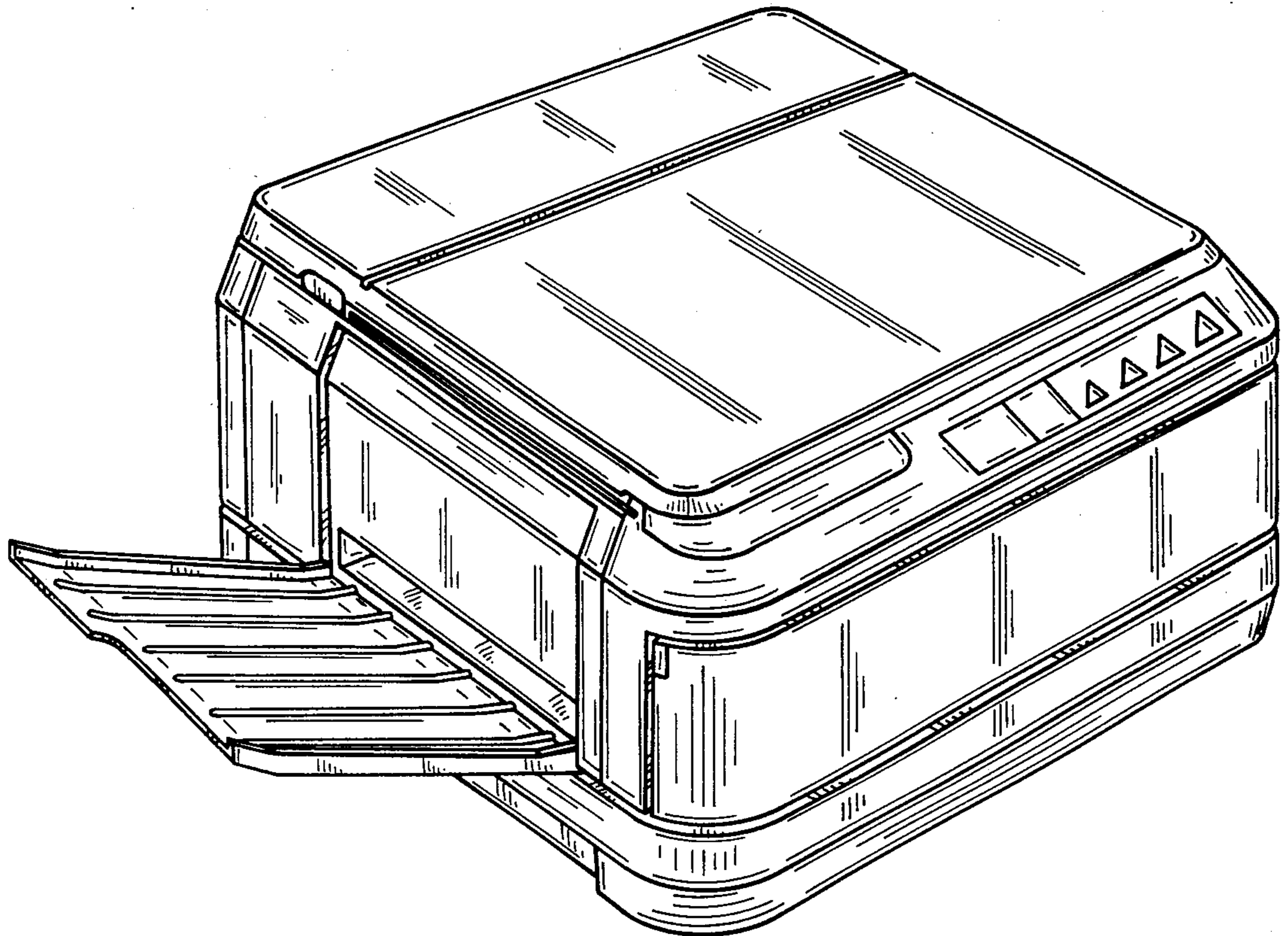
FIG. 4 is a top plan view of FIG. 2;

FIG. 5 is a bottom plan view of FIG. 2;

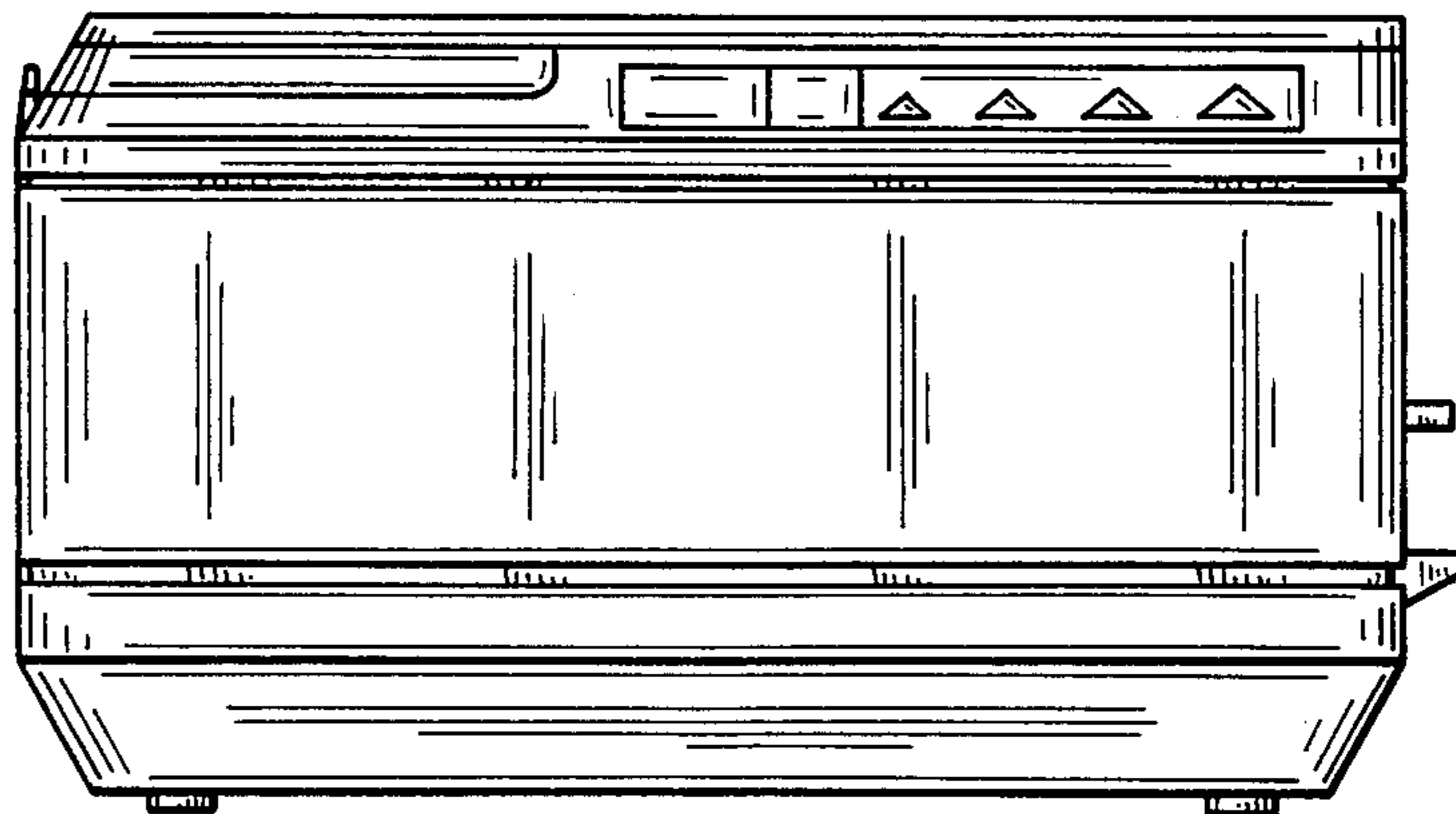
FIG. 6 is a right elevational view of FIG. 2;

FIG. 7 is a left side elevational view of FIG. 2.

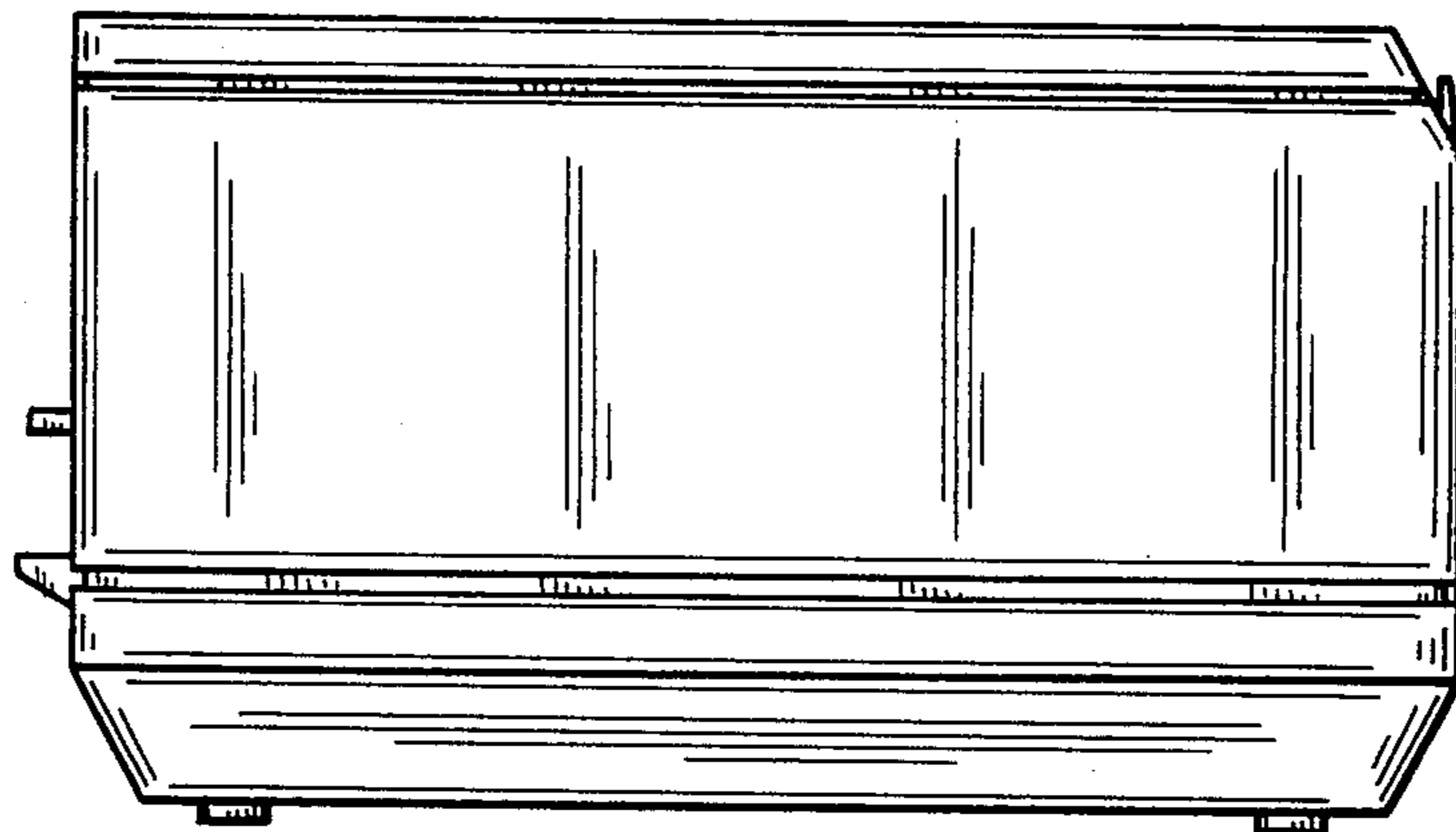




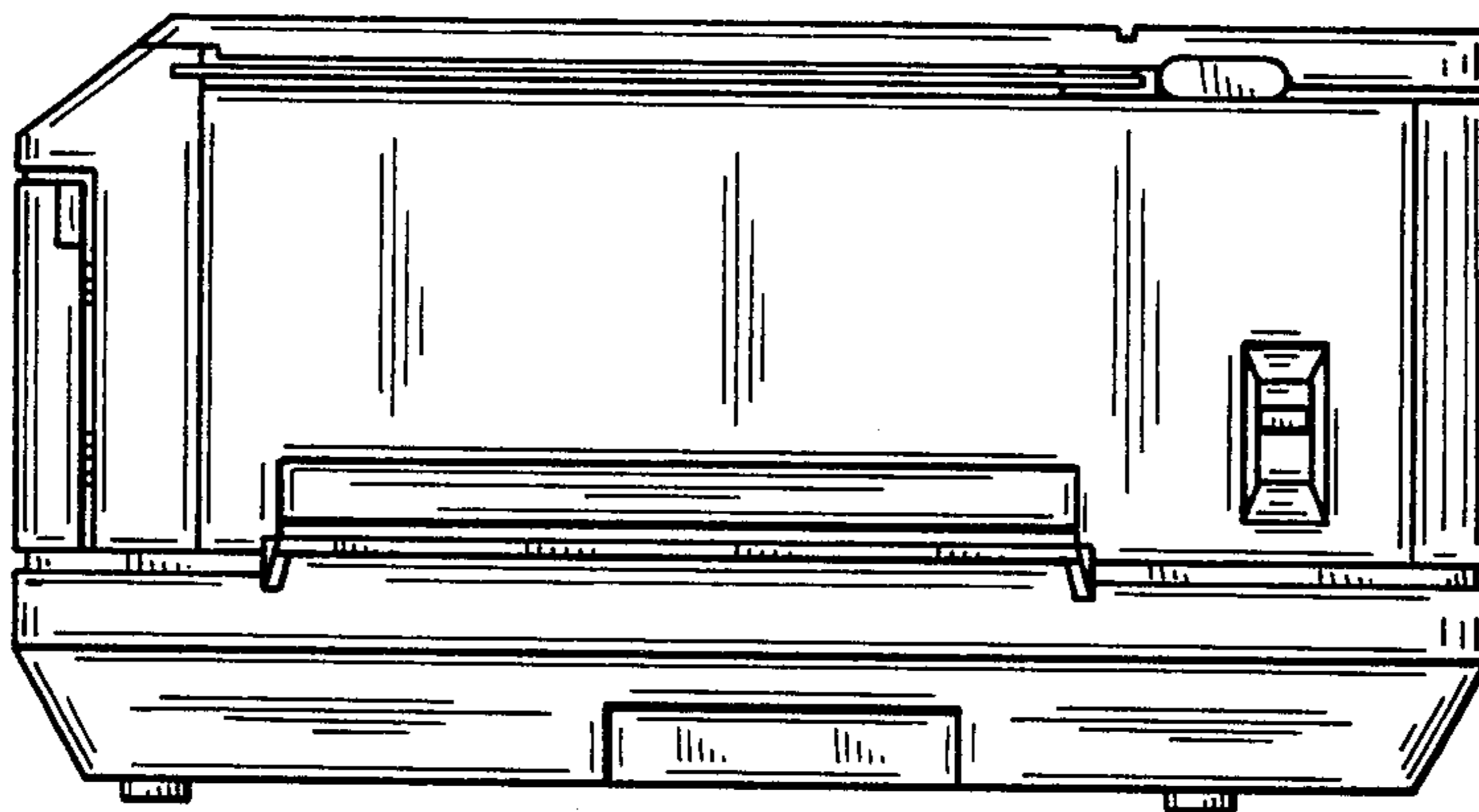
FIG\_1



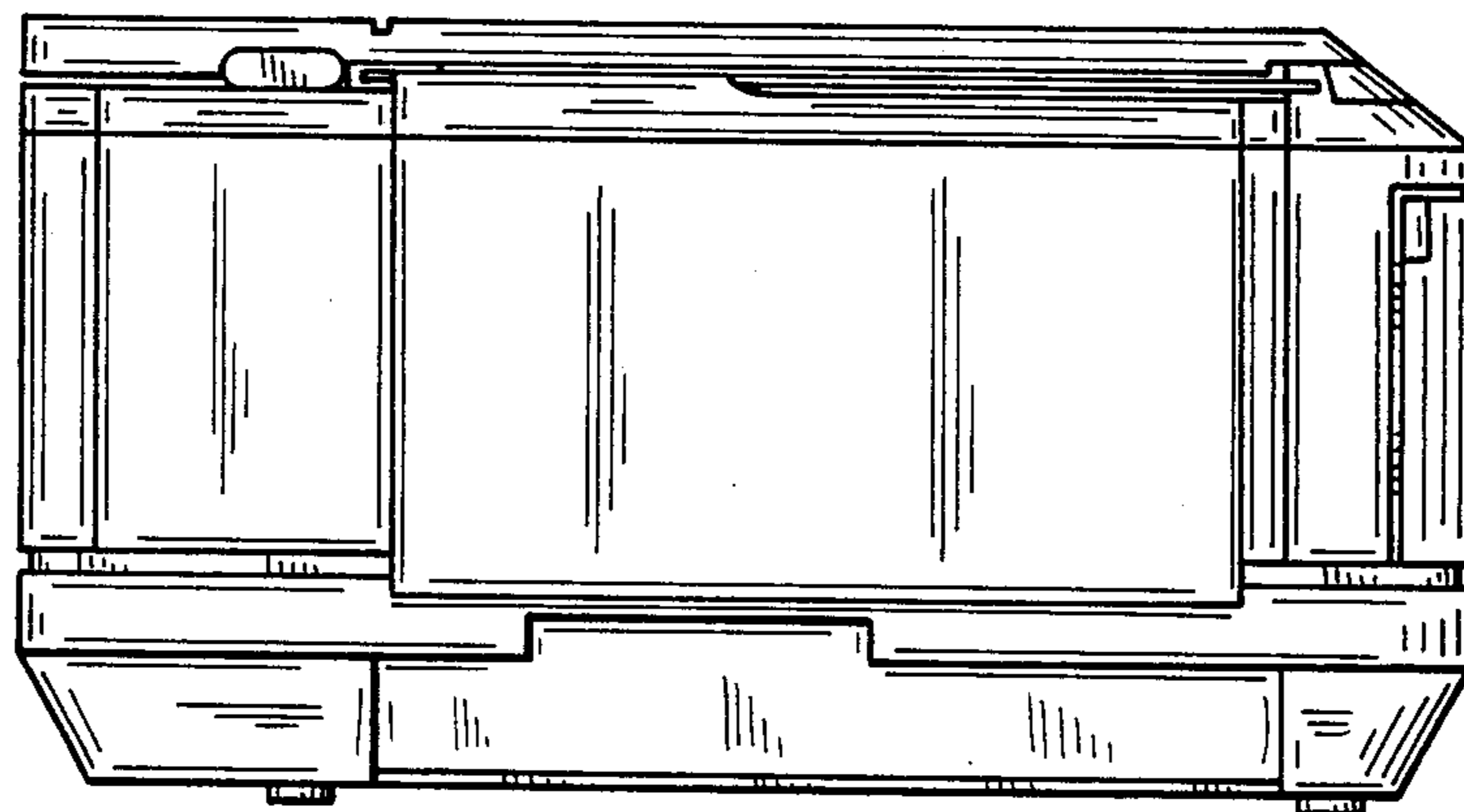
FIG\_2



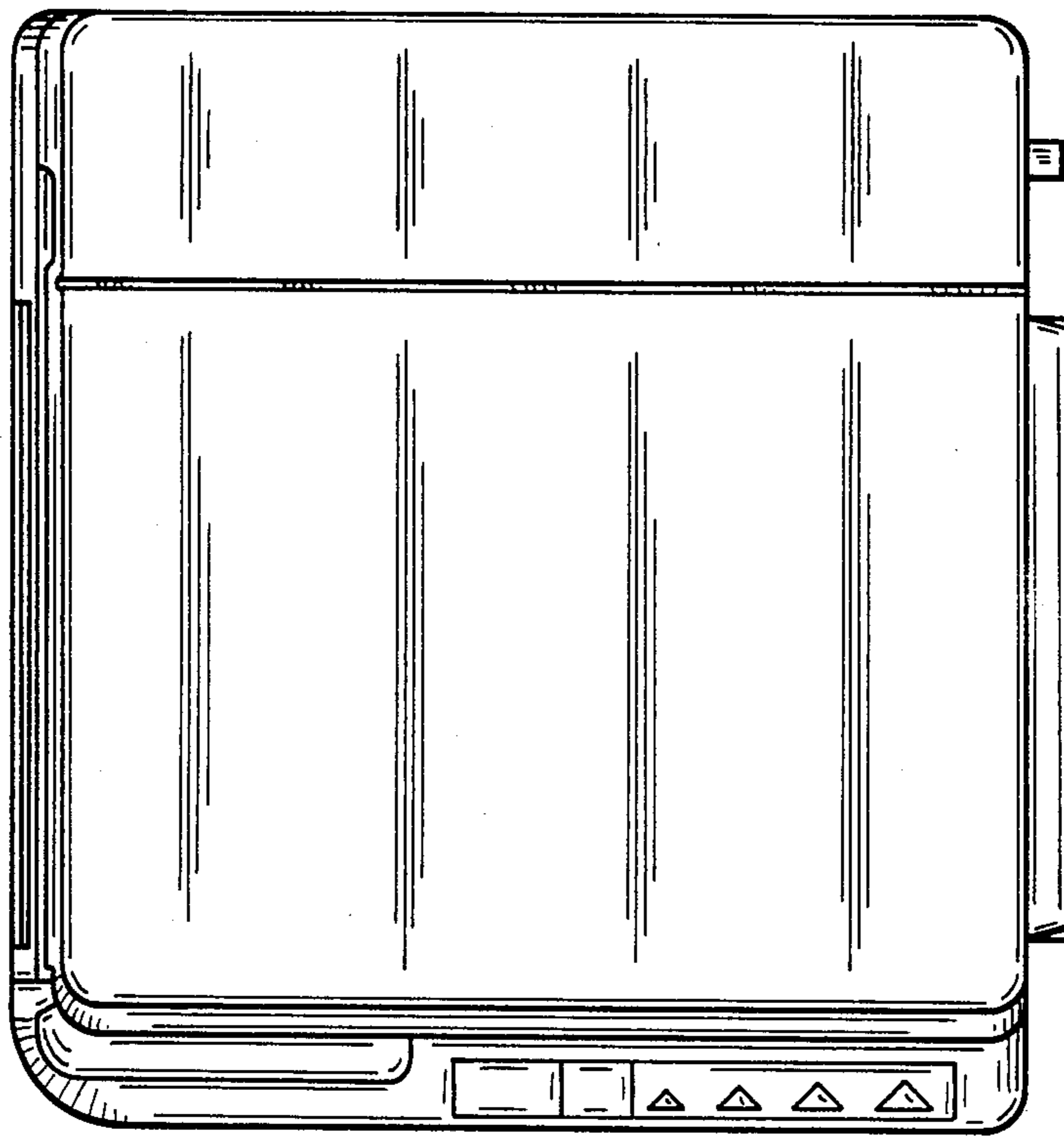
FIG\_3



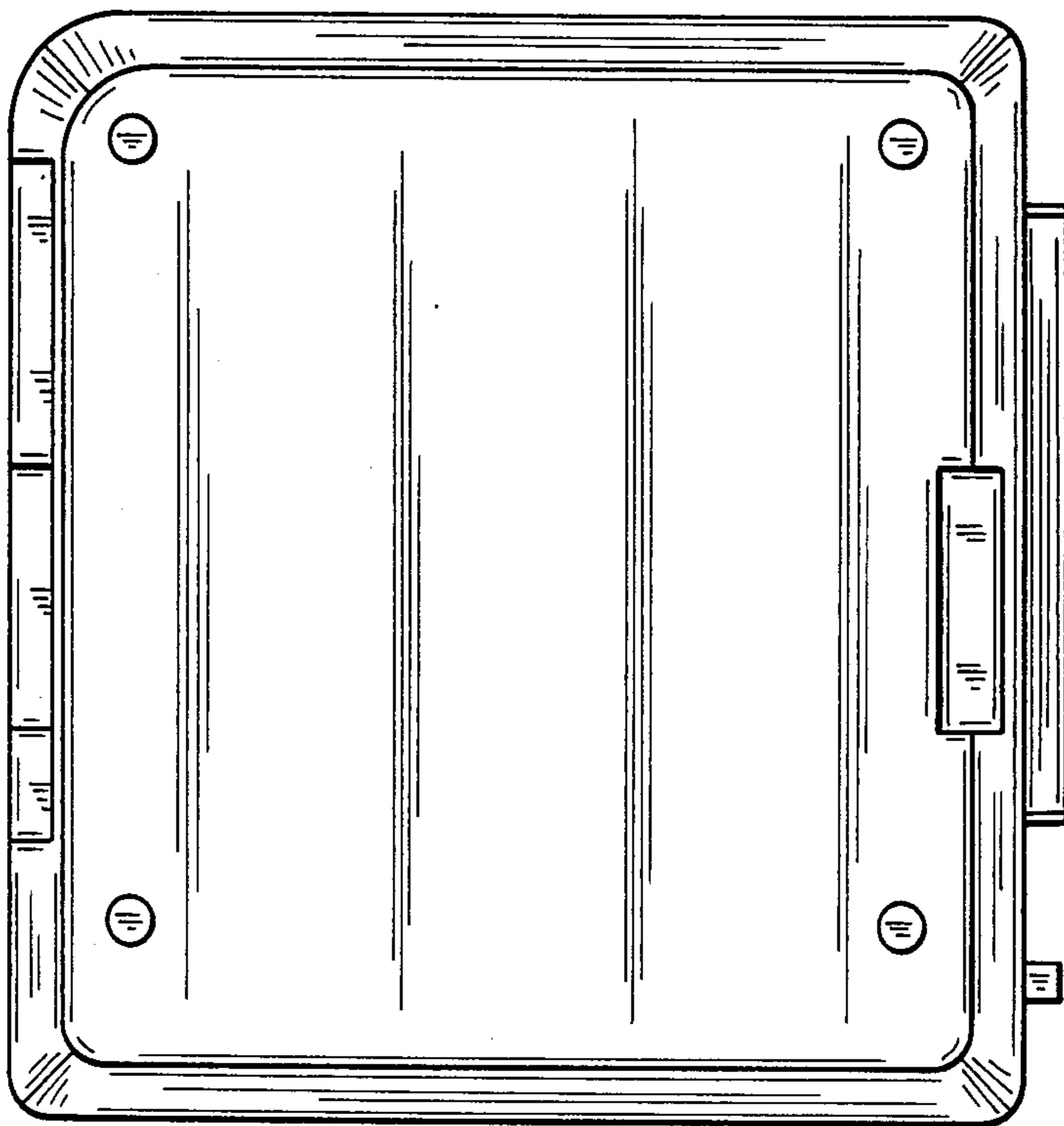
FIG\_6



FIG\_7



FIG\_4



FIG\_5