

[54] **DESK-TOP COMPUTER HOUSING**

[75] **Inventor: Andreas Preussner, Highlands, N.J.**

[73] **Assignee: Siemens Aktiengesellschaft, Berlin and Munich, Fed. Rep. of Germany**

[**] **Term: 14 Years**

[21] **Appl. No.: 128,378**

[22] **Filed: Dec. 3, 1987**

Related U.S. Application Data

[62] **Division of Ser. No. 672,985, Nov. 19, 1984.**

[52] **U.S. Cl. D14/100; D13/41**

[58] **Field of Search D14/100-117;
D13/40, 41; 361/331, 333, 380, 381, 382, 390;
174/52 R; D6/494; D9/432, 424**

[56] **References Cited**

U.S. PATENT DOCUMENTS

D. 74,560	2/1928	Gebhart	D9/432
D. 207,849	6/1967	Pianko et al.	D6/494
D. 208,027	7/1967	Mulder	D6/494
D. 238,312	12/1975	Witkoff	D9/424
D. 268,931	5/1983	Ellis et al.	D14/107
3,721,746	3/1973	Knappenberger	174/52 R X

FOREIGN PATENT DOCUMENTS

1069547	2/1954	France	174/52 R
1238868	7/1960	France	174/52 R

OTHER PUBLICATIONS

BYTE, 9-1983, p. 582, Compupro Microcomputer.
Cardkey D-4000 Access Control System brochure,
©1981, p. 3, Control Housing (top right).
Computer Design, 6-1983, p. 62, Data Systems Win-
chester Disk Drive.
Datamation, 1-1972, p. 72, 9700 Medium-Scale Com-
puter.
Datamation, 6-1983, p. 157, Ungermann-Bass, Net-
/One Network Interface Unit.
Kay Pro 4 Professional Computer brochure, p. 2, De-
sk-Front Panel.

Primary Examiner—Susan J. Lucas

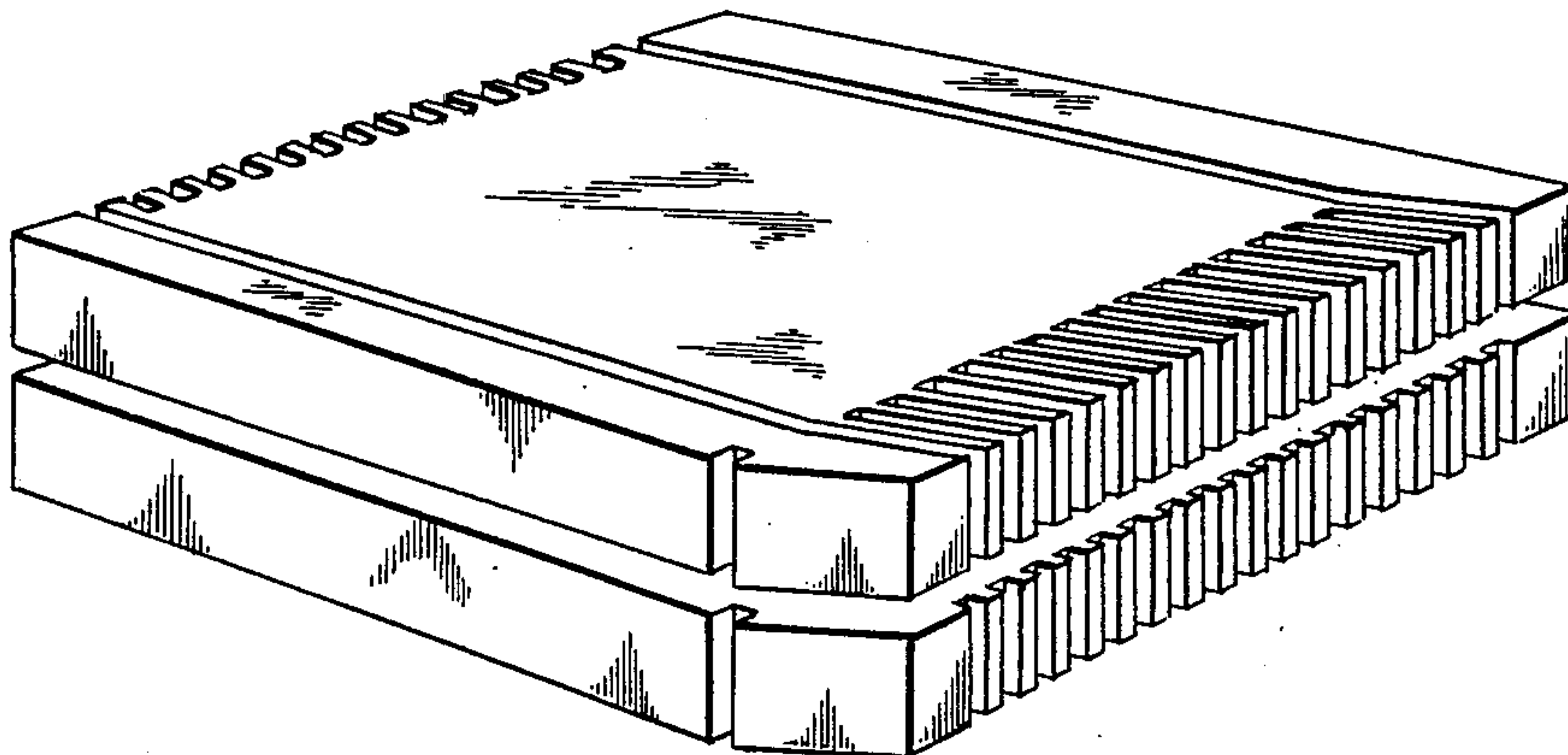
Attorney, Agent, or Firm—James G. Morrow

[57] **CLAIM**

The ornamental design for a desk-top computer hous-
ing, as shown and described.

DESCRIPTION

FIG. 1 is a top, front, and right side perspective view of
desk-top computer housing showing my new design;
FIG. 2 is a top, front, and right side perspective view of
a second embodiment of my new design;
FIG. 3 is a top plan view of the first embodiment on an
enlarged scale;
FIG. 4 is a top plan view of the second embodiment on
an enlarged scale;
FIG. 5 is a left side elevational view common to both
embodiments on a further enlarged scale.



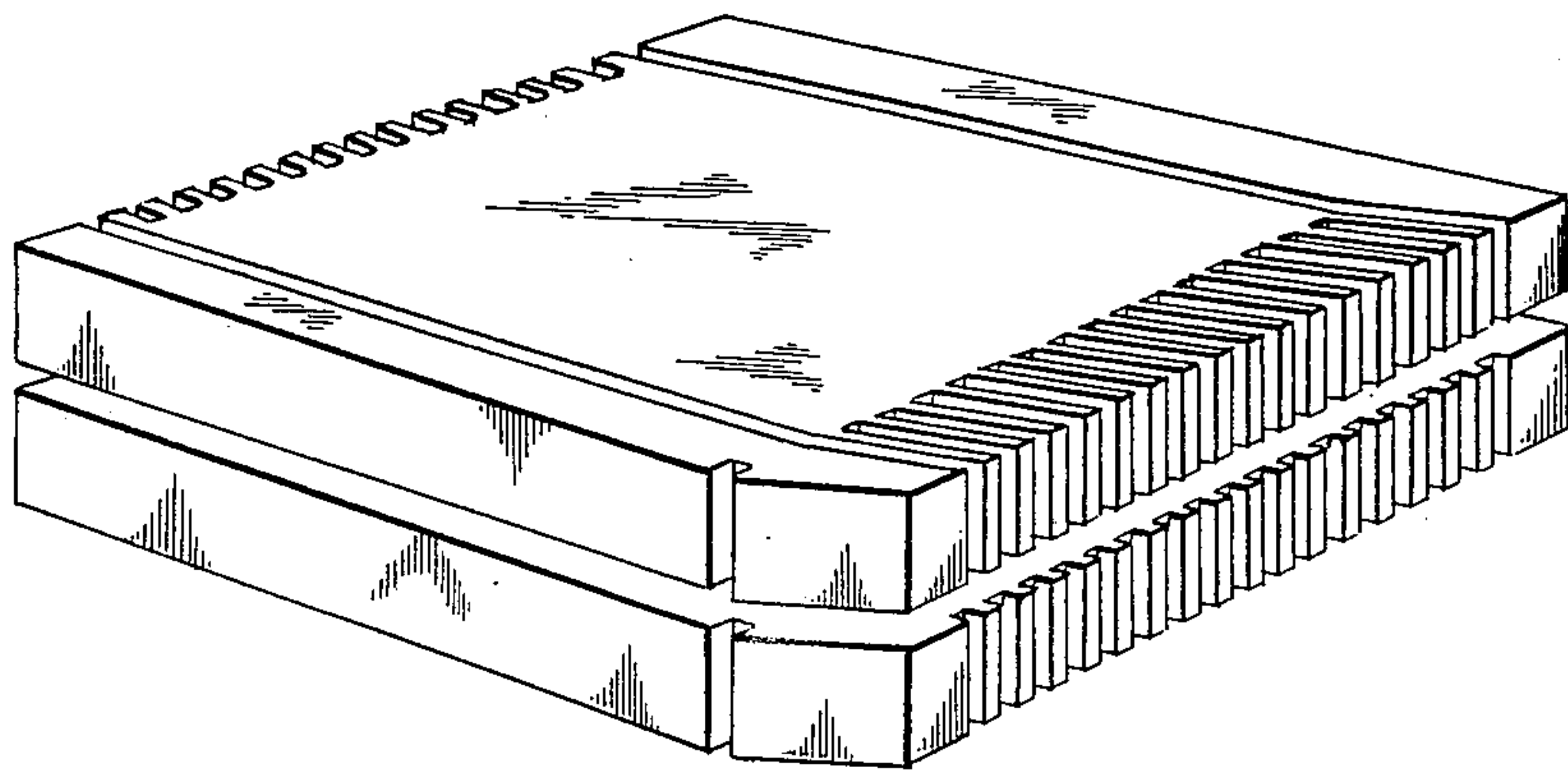


FIG. 1

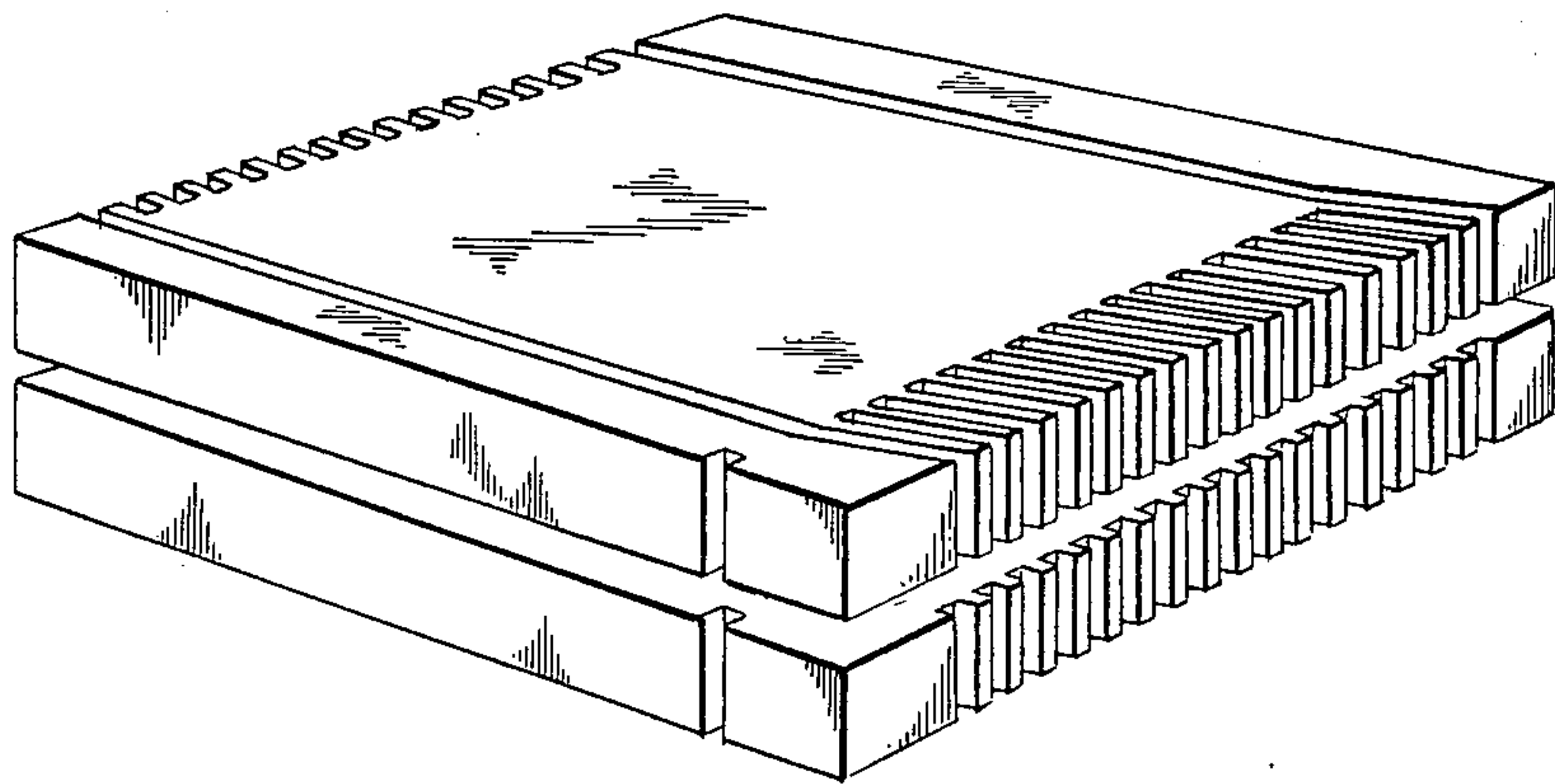


FIG. 2

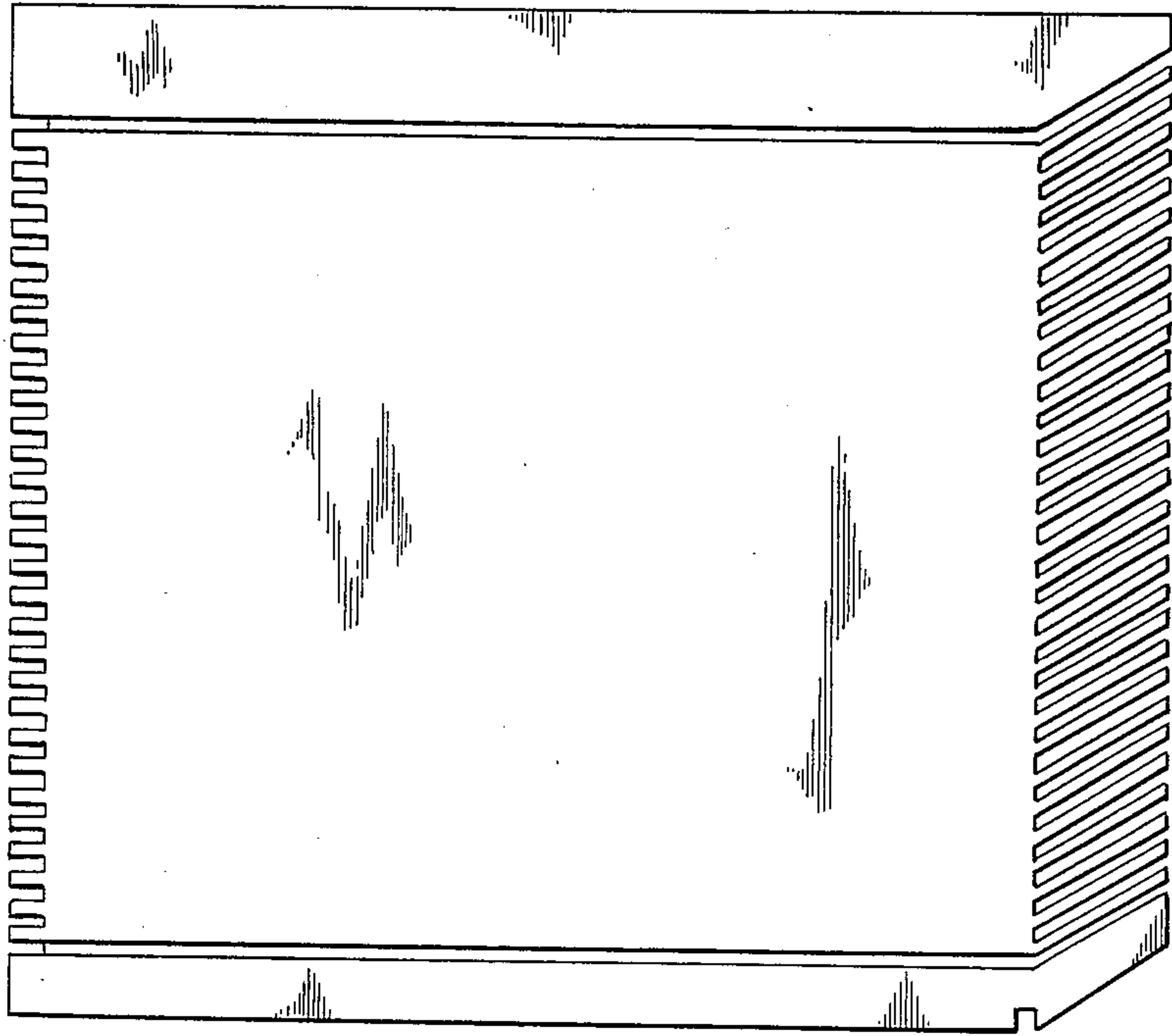


FIG. 3

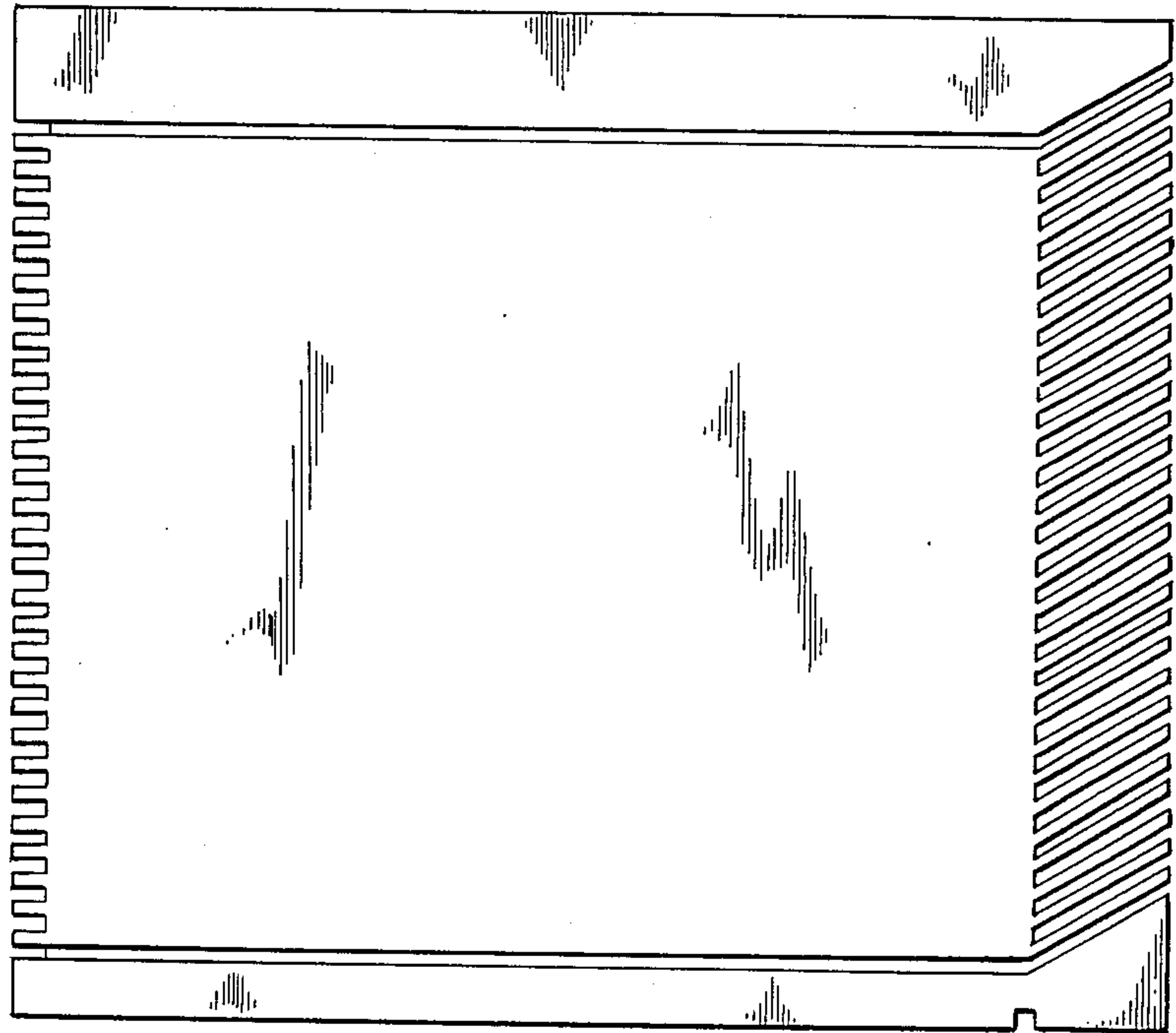


FIG. 4

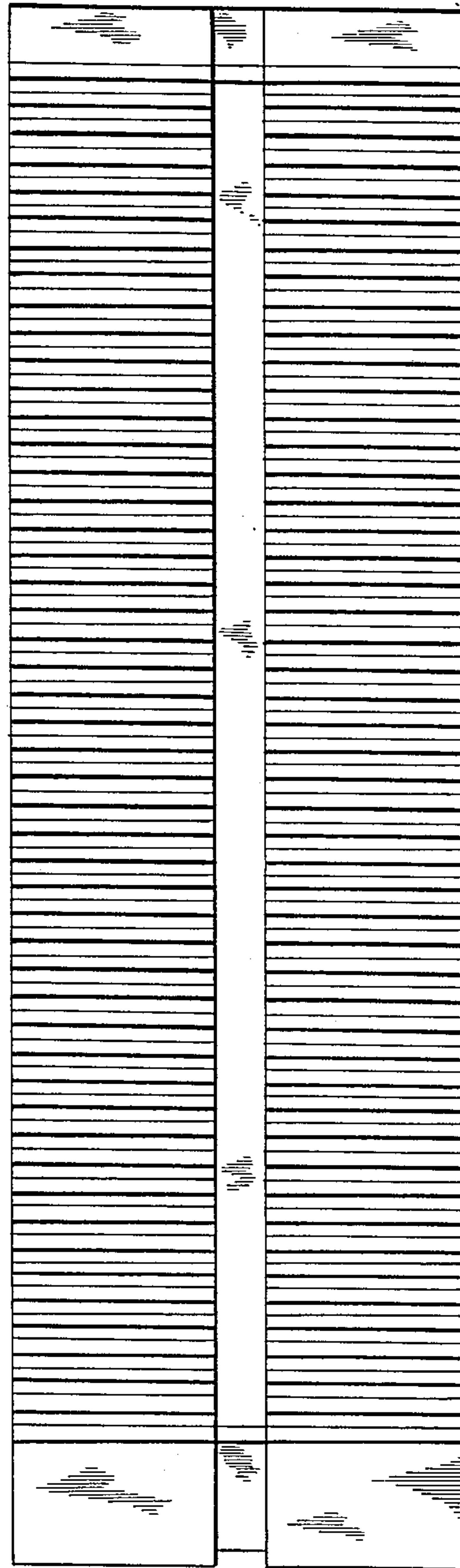


FIG. 5