

[54] **RADIO AND TAPE PLAYER**  
[76] **Inventor: Herman E. Mitchell, 5840 Glenmont, Apt. 33, Houston, Tex. 77081**  
[\*\*] **Term: 14 Years**  
[21] **Appl. No.: 98,691**  
[22] **Filed: Sep. 18, 1987**

2,501,050 3/1950 Harris et al. .... D14/69 X

**FOREIGN PATENT DOCUMENTS**

1394995 2/1964 France ..... 455/351

*Primary Examiner*—Bernard Ansher  
*Assistant Examiner*—Theodore M. Shooman  
*Attorney, Agent, or Firm*—Ned L. Conley; David A. Rose; William E. Shull

**Related U.S. Application Data**

[63] Continuation-in-part of Ser. No. 712,553, Mar. 15, 1985.  
[52] U.S. Cl. .... **D14/162; D14/168; D14/189; D17/14**  
[58] **Field of Search** ..... **D14/1-7, D14/36, 68, 69, 85, 95, 99; 455/347, 350, 351, 344; D17/14**

[57] **CLAIM**

The ornamental design for a combined radio and tape player, as shown.

**DESCRIPTION**

FIG. 1 is a top, rear and left side isometric view of a combined radio and tape player showing my new design;  
FIG. 2 is a top plan view thereof;  
FIG. 3 is a front elevational view thereof;  
FIG. 4 is a sectional view taken along line 4—4 of FIG. 3; and,  
FIG. 5 is a reduced scale bottom plan view thereof.  
The right side of the combined radio and tap player is plane and unornamented.

[56] **References Cited**

**U.S. PATENT DOCUMENTS**

D. 126,461 4/1941 Franklin ..... D14/69  
D. 269,180 5/1983 Ridings ..... D14/69  
1,518,744 12/1924 Martin ..... 455/350

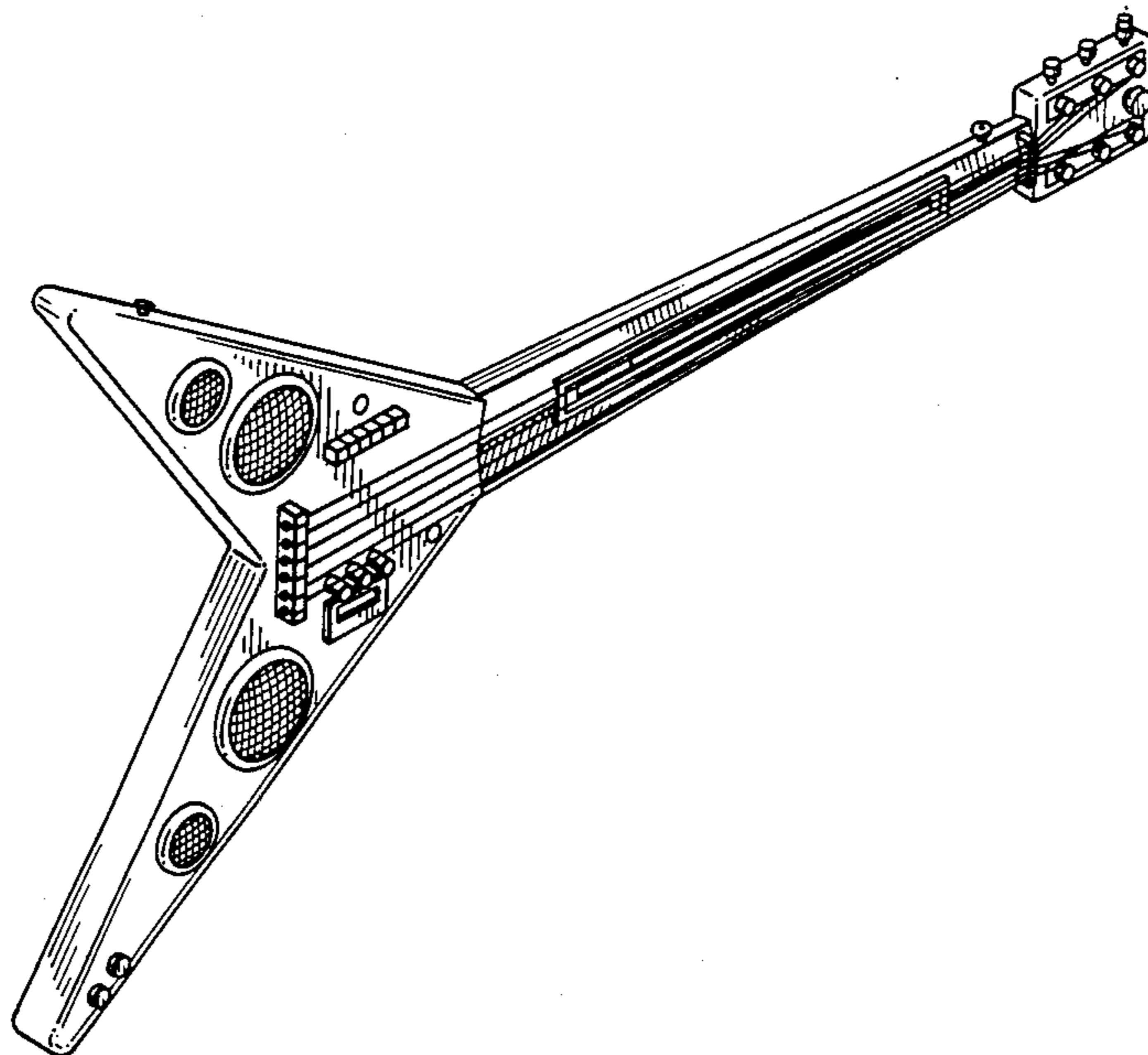


 FIG. 4

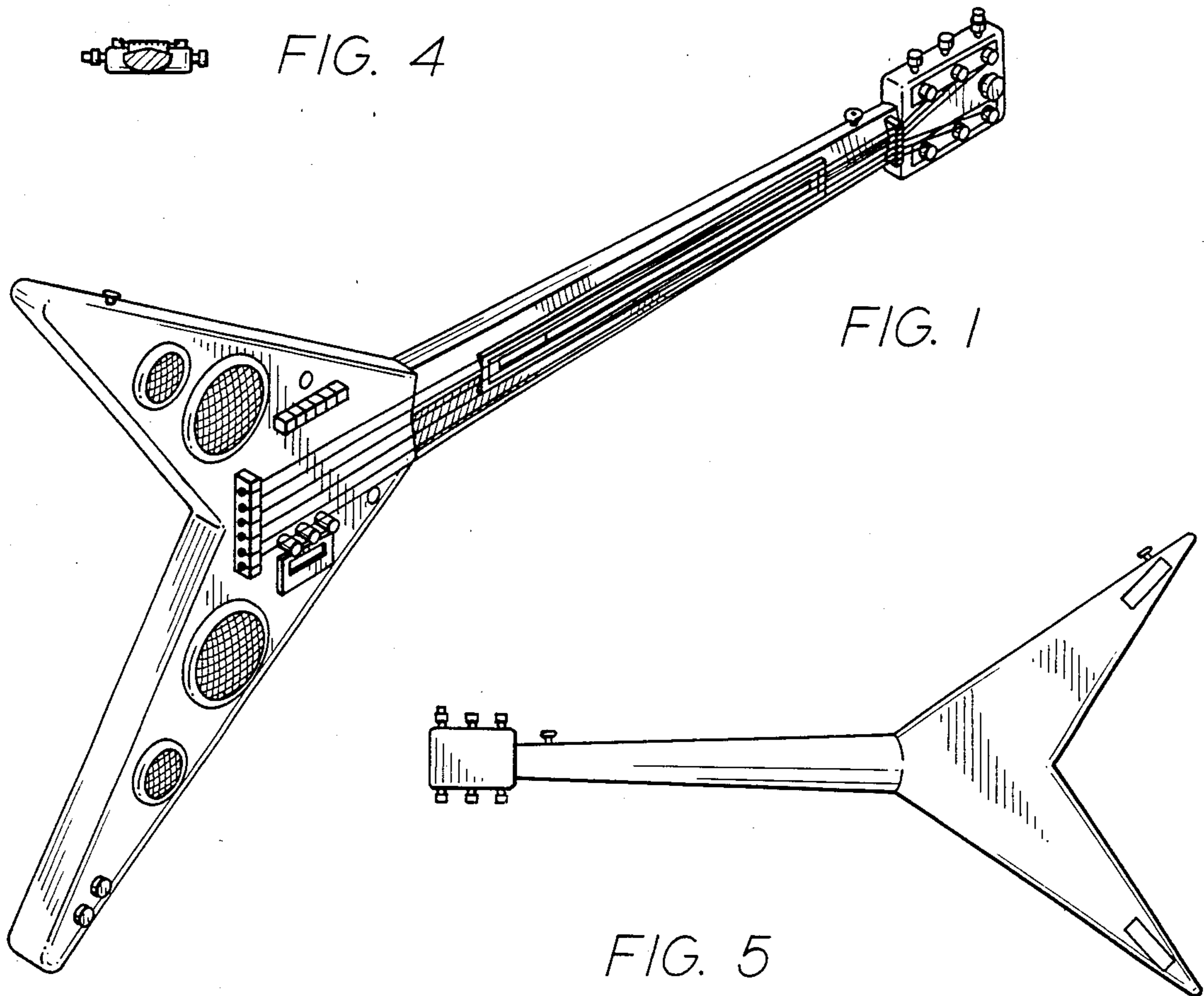


FIG. 5

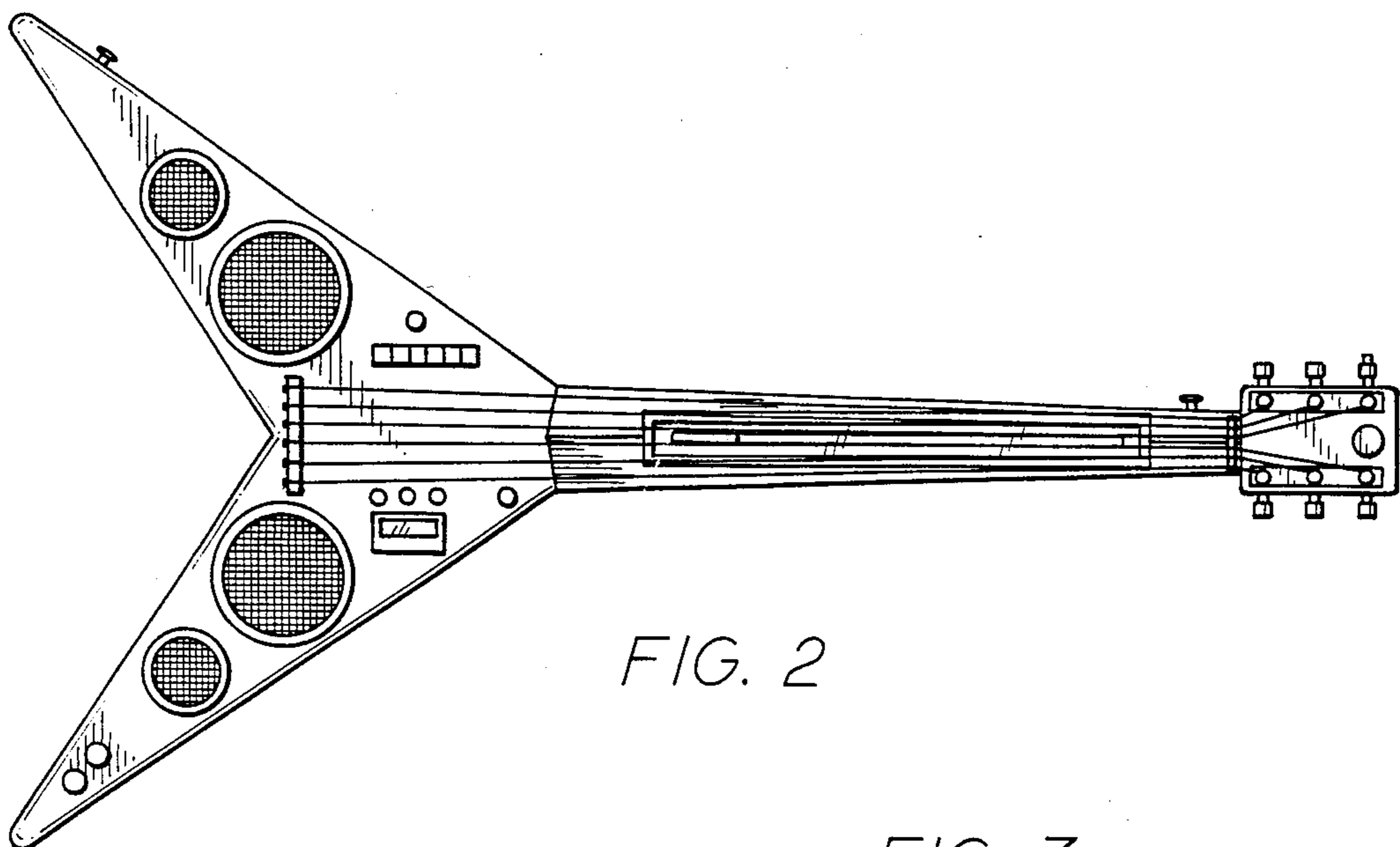


FIG. 2

FIG. 3

