

United States Patent [19]

Kubota

[11] Patent Number: **Des. 299,643**

[45] Date of Patent: **** Jan. 31, 1989**

[54] **HEADPHONE-STYLE MICROPHONE**

[75] Inventor: **Hiroshi Kubota, Kobe, Japan**

[73] Assignee: **Toa Tokushi Denki Kabushiki Kaisha, Kobe, Japan**

[**] Term: **14 Years**

[21] Appl. No.: **815,949**

[22] Filed: **Jan. 3, 1986**

[30] **Foreign Application Priority Data**

Jul. 3, 1985 [JP] Japan 60-28441

[52] U.S. Cl. **D14/225; D14/223**

[58] Field of Search D14/12, 13, 30, 36, D14/99; 381/25, 68, 69.1, 69.2, 158, 183, 187, 169; 379/430, 444

[56] **References Cited**

U.S. PATENT DOCUMENTS

Re. 30,662 6/1981 Foley 379/430

D. 159,223 7/1950 Olson D14/12

D. 287,849 1/1987 O'Malley et al. D14/36
3,128,352 4/1964 Cagen 379/430

OTHER PUBLICATIONS

CQ The Radio Amateur's Journal, Jul. 1984, p. 103--right center, Pro-Com 350.

Primary Examiner—Bernard Ansher

Assistant Examiner—Theodore M. Shooman

Attorney, Agent, or Firm—Neuman, Williams, Anderson & Olson

[57] **CLAIM**

The ornamental design for a headphone-style microphone, as shown.

DESCRIPTION

FIG. 1 is a top plan view of a headphone-style microphone showing my new design;

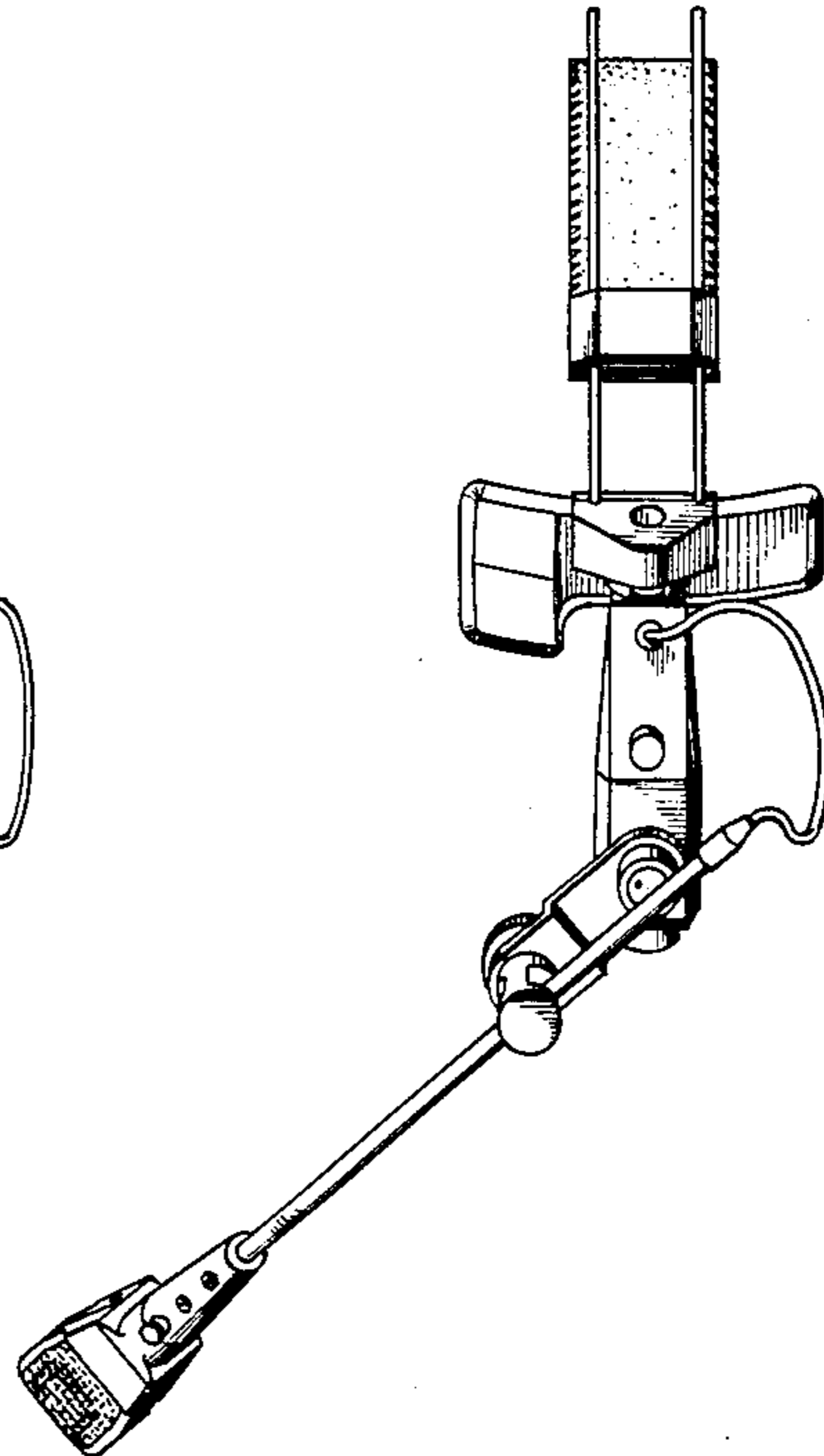
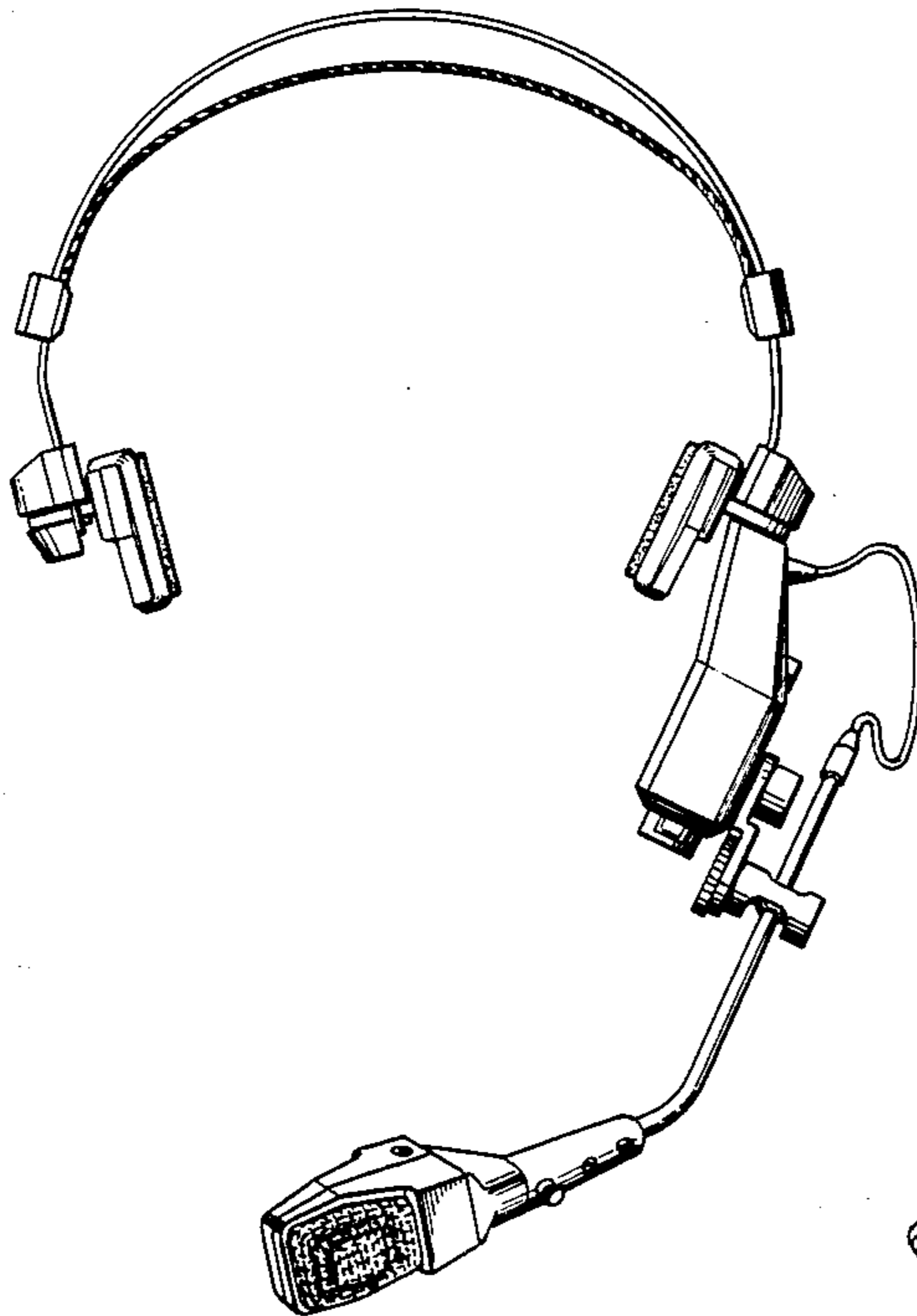
FIG. 2 is a front elevational view thereof;

FIG. 3 is a right side elevational view thereof;

FIG. 4 is a rear elevational view thereof;

FIG. 5 is a left side elevational view thereof; and,

FIG. 6 is a bottom plan view thereof.



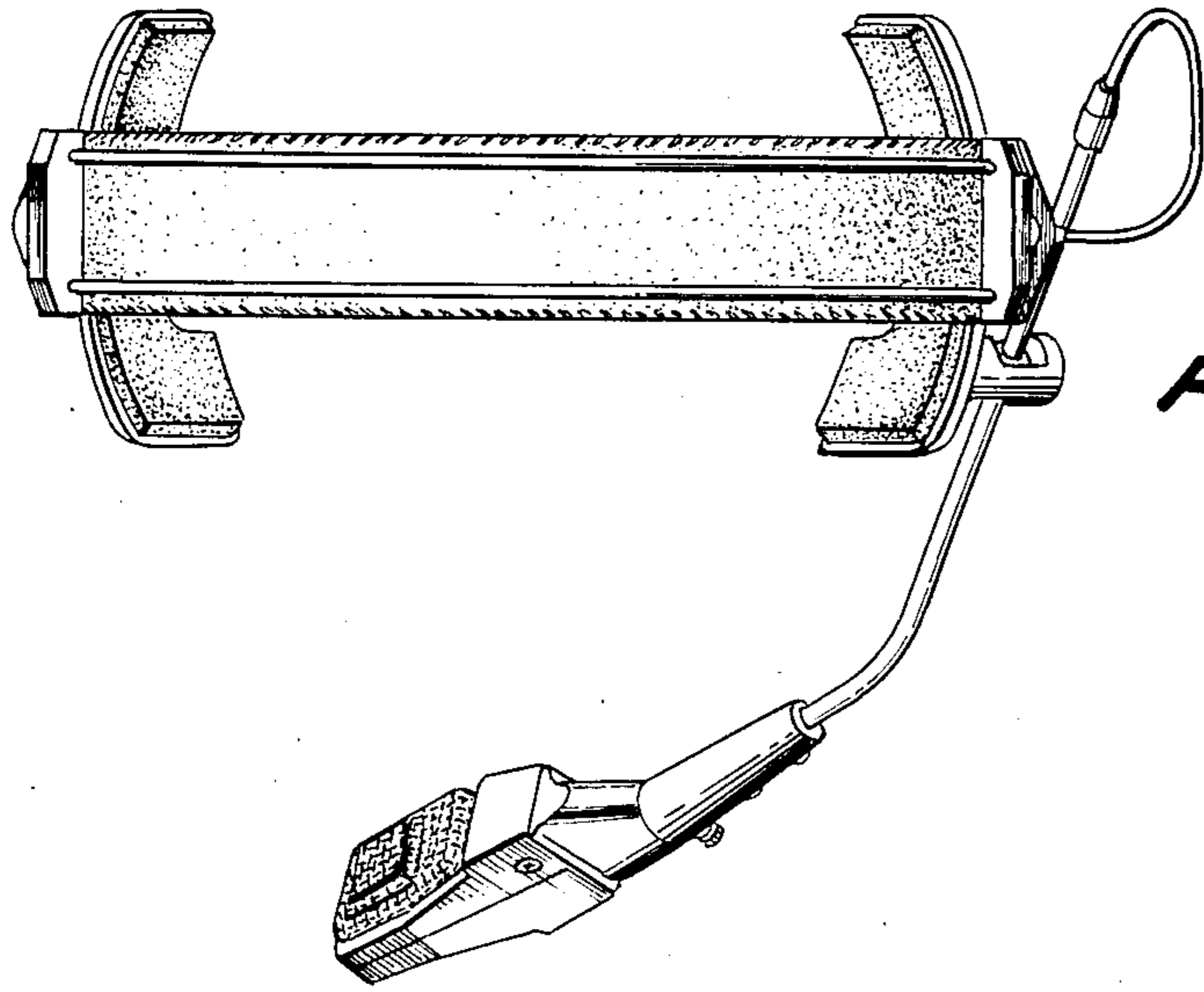


FIG-1

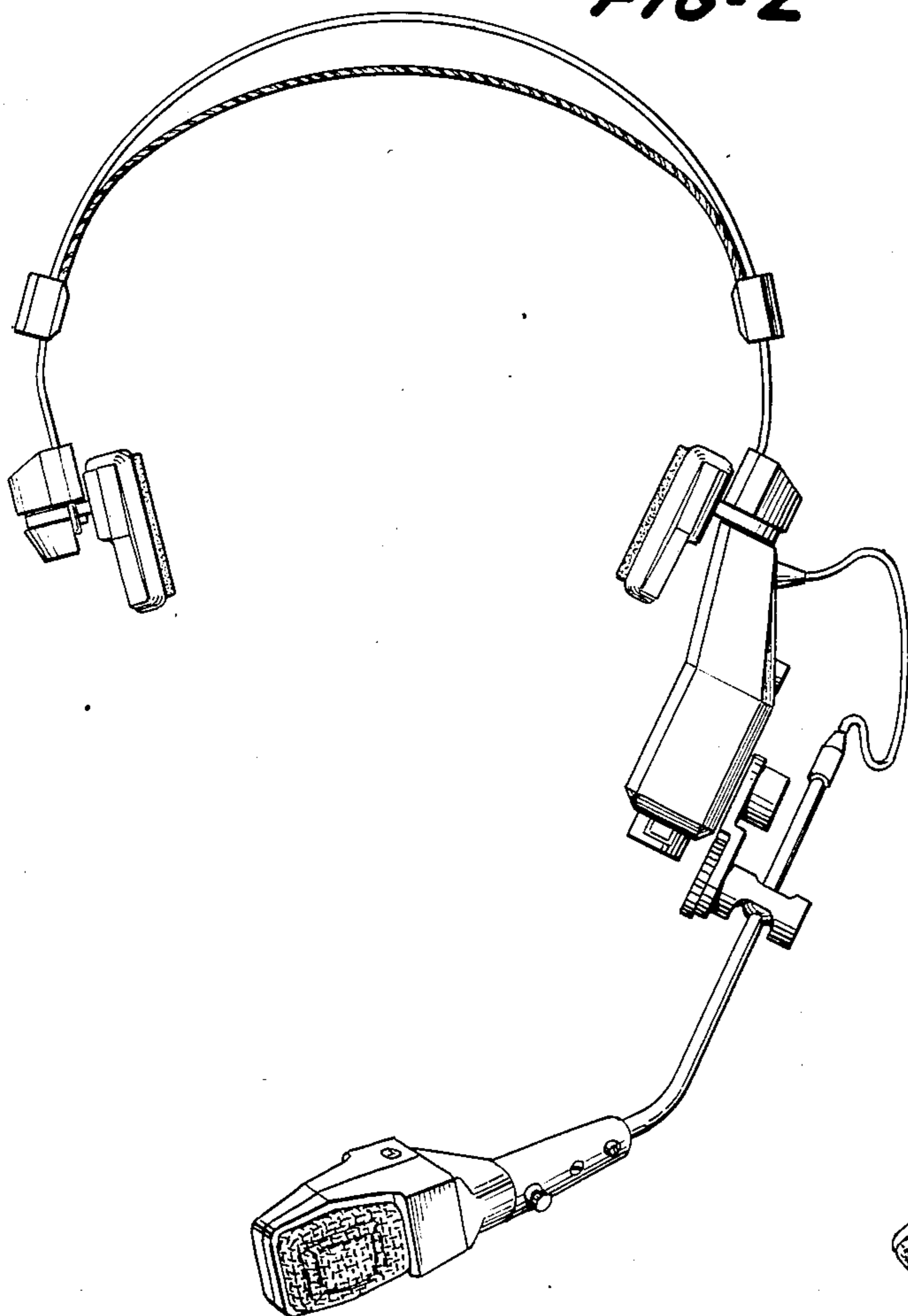


FIG-2

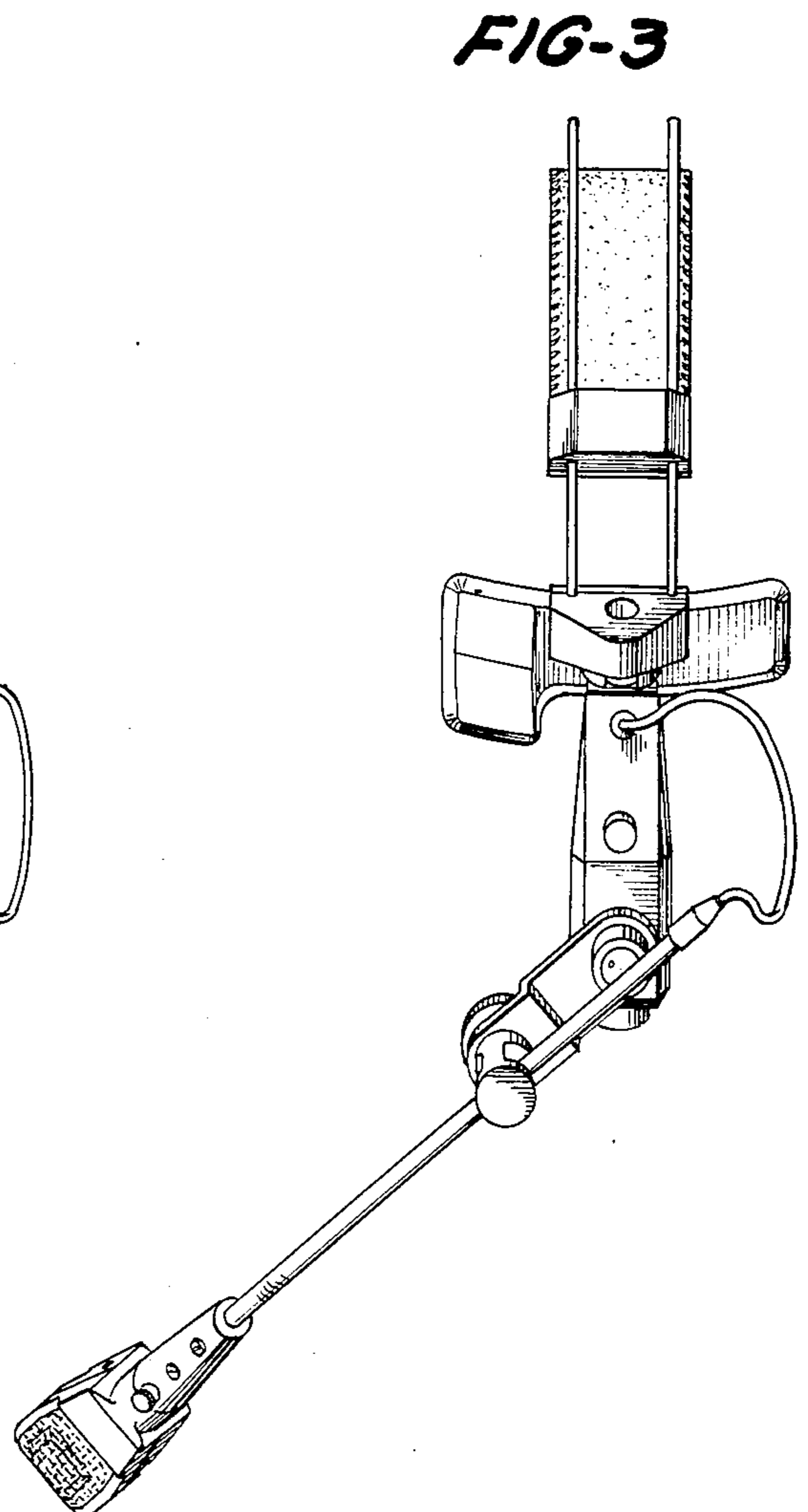


FIG-3

FIG-4

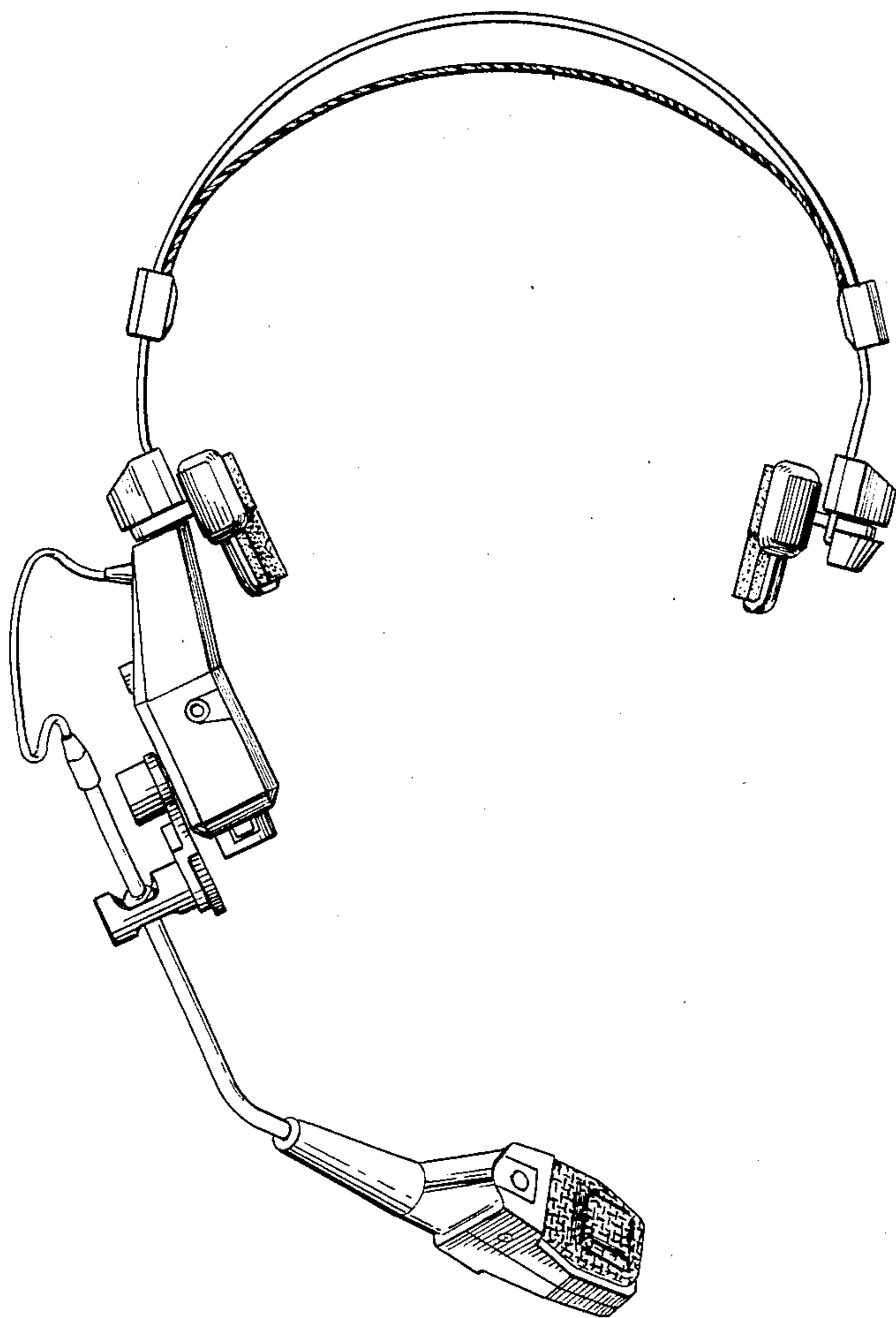


FIG-5

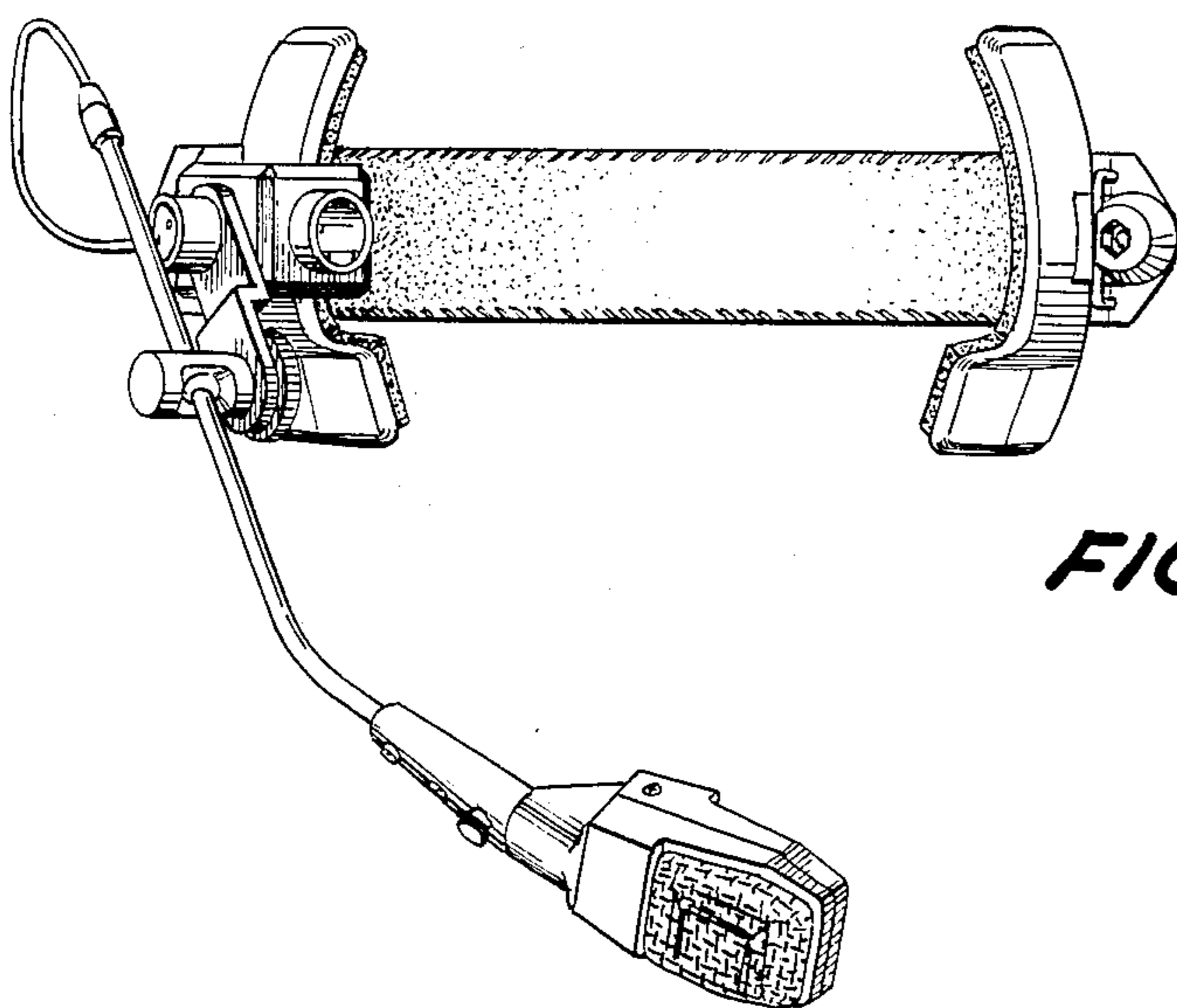
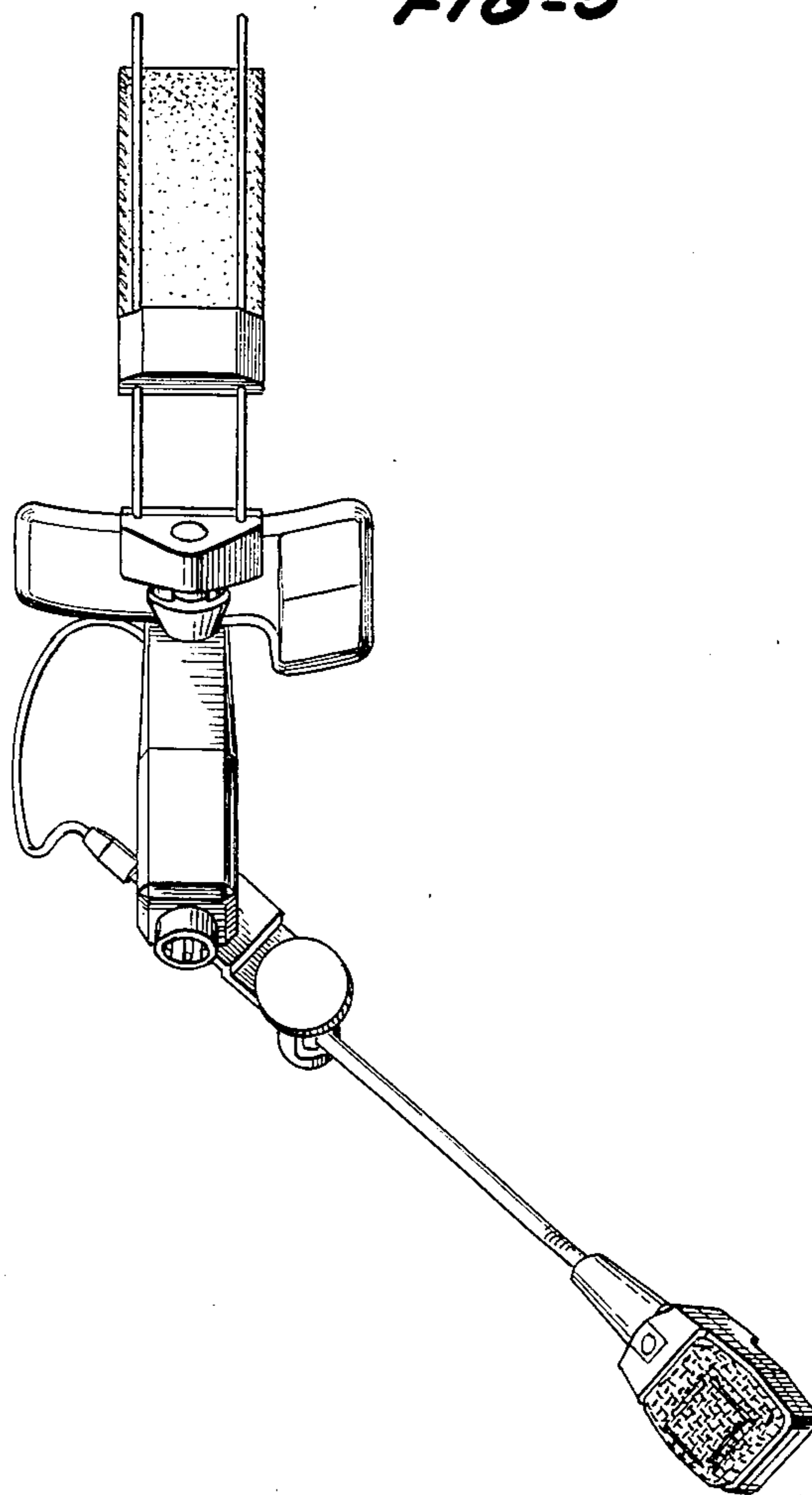


FIG-6