

**United States Patent** [19]  
**Kamisada**

[11] **Patent Number: Des. 299,642**  
[45] **Date of Patent: \*\* Jan. 31, 1989**

- [54] **TOGGLE SWITCH**
- [75] **Inventor: Koji Kamisada, Tokyo, Japan**
- [73] **Assignee: Nihon Kaiheiki Kogyo Kabushiki Kaisha, Japan**
- [\*\*] **Term: 14 Years**
- [21] **Appl. No.: 816,350**
- [22] **Filed: Jan. 6, 1986**
- [30] **Foreign Application Priority Data**  
Jul. 26, 1985 [JP] Japan ..... 60-031944
- [52] **U.S. Cl. .... D13/37**
- [58] **Field of Search .... D13/32, 35, 37;  
200/272, 293, 296-297, 303, 308, 310, 315, 317,  
333, 339, 153 G, 144 B**
- [56] **References Cited**  
**U.S. PATENT DOCUMENTS**  
D. 280,814 10/1985 Ohashi ..... D13/38  
D. 287,359 12/1986 Ohashi ..... D13/32

4,149,049 4/1979 Long ..... 200/339  
4,191,872 3/1980 Sorenson ..... 200/296  
4,434,339 2/1984 Ohashi ..... 200/296

**OTHER PUBLICATIONS**

Allied Electronics, 1975, p. 131, Item C.

*Primary Examiner*—Wallace R. Burke  
*Assistant Examiner*—Ruth Takemoto  
*Attorney, Agent, or Firm*—Steinberg & Raskin

[57] **CLAIM**

The ornamental design for a toggle switch, as shown and described.

**DESCRIPTION**

FIG. 1 is a front elevational view of a toggle switch showing my new design, the rear view being a mirror image;  
FIG. 2 is a top plan view thereof;  
FIG. 3 is a bottom plan view thereof;  
FIG. 4 is a left side elevational view thereof;  
FIG. 5 is a right side elevational view thereof; and  
FIG. 6 is a top perspective view thereof.

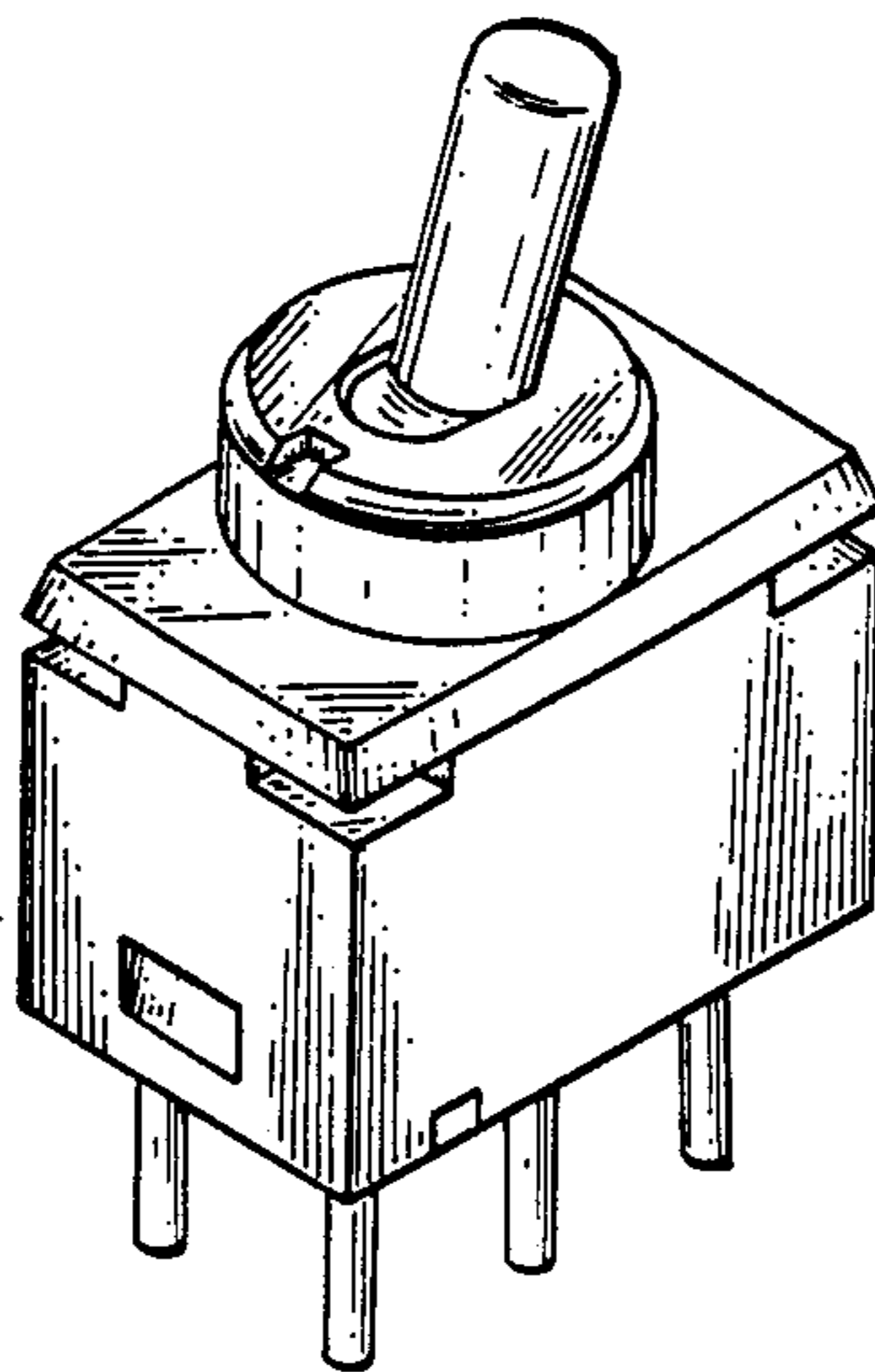


FIG. 1

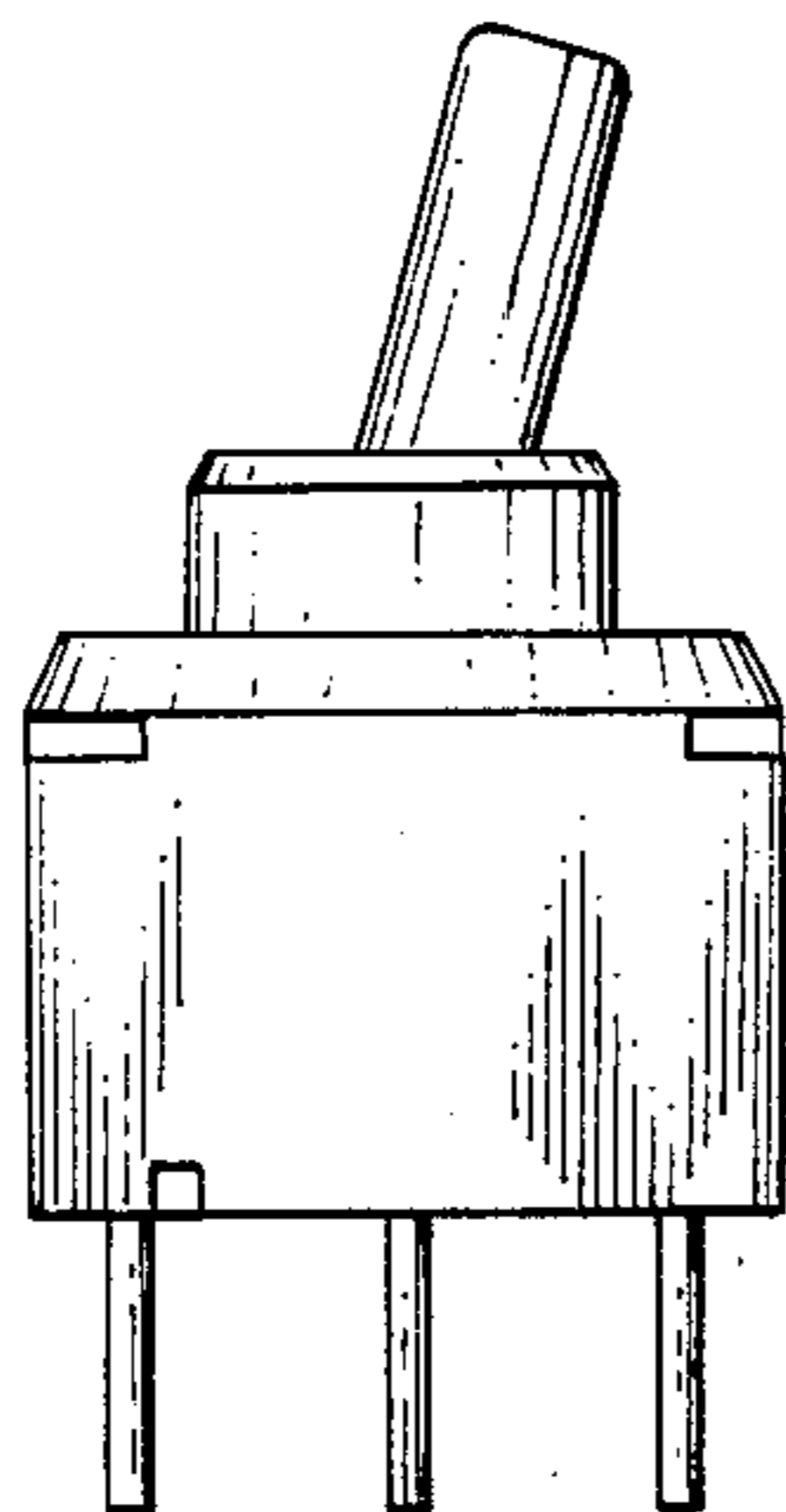


FIG. 3

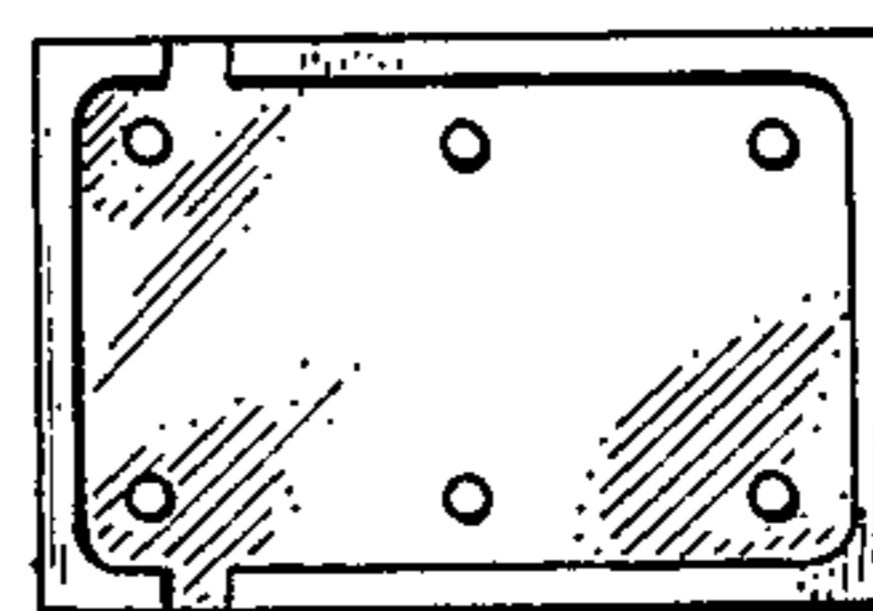


FIG. 2

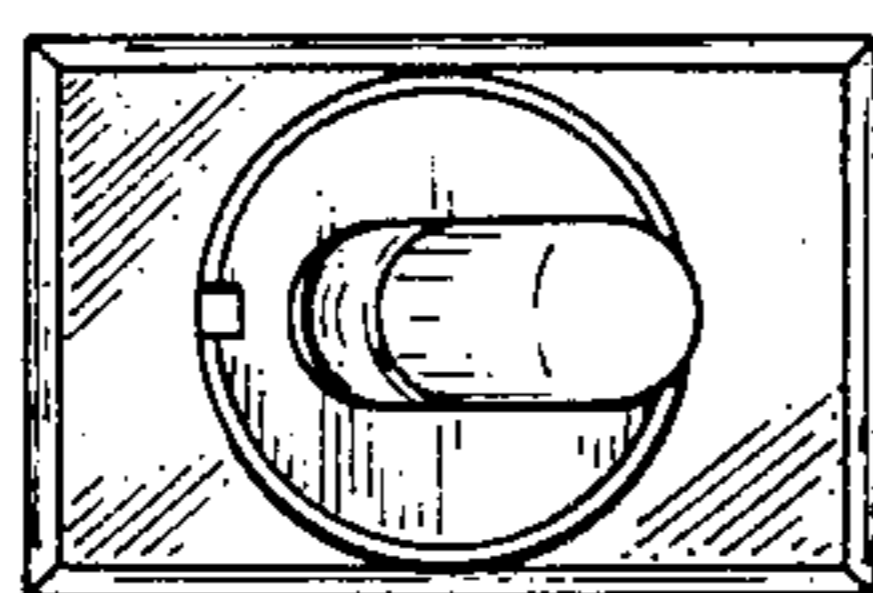


FIG. 4

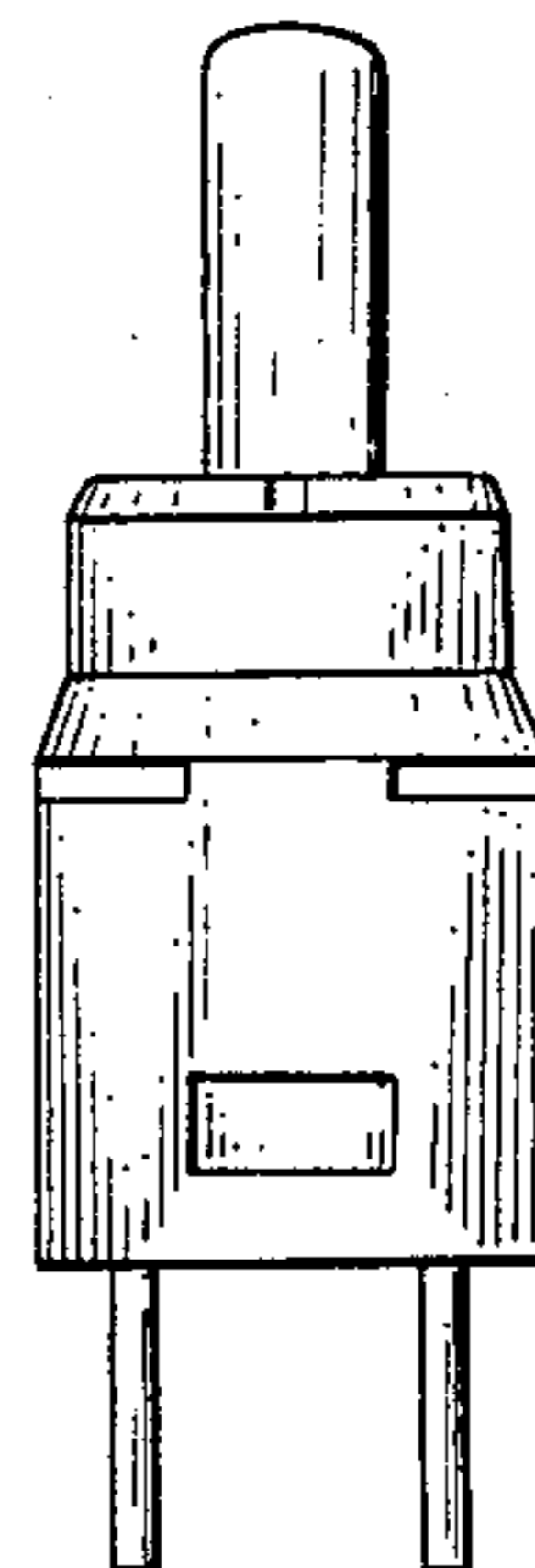


FIG. 5

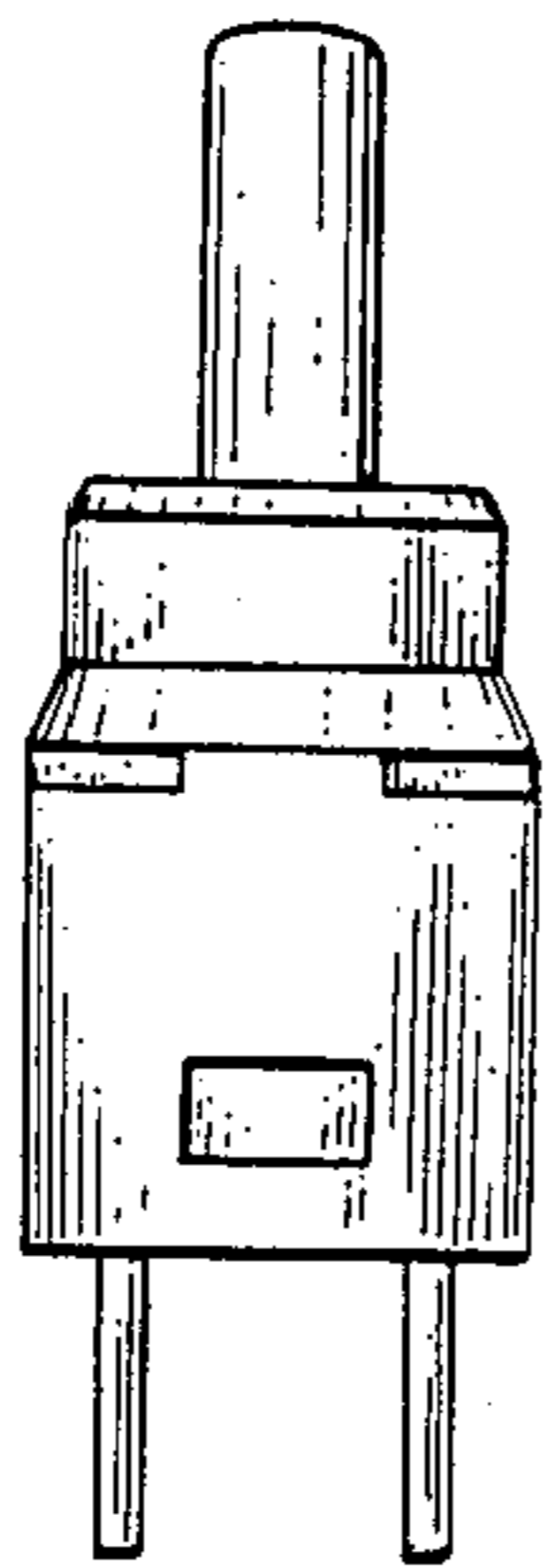


FIG. 6

