

[54] **NETWORK INTERFACE FOR COMPUTER EQUIPMENT OR THE LIKE**

[75] **Inventor: John R. Rossum, Jr., San Jose, Calif.**

[73] **Assignee: 3Com Corporation, Mountain View, Calif.**

[**] **Term: 14 Years**

[21] **Appl. No.: 922,447**

[22] **Filed: Oct. 20, 1986**

[52] **U.S. Cl. D13/24; D13/30**

[58] **Field of Search D13/11, 12, 18-31, D13/40; 439/92, 404, 925, 135, 136, 138, 578, 264, 259, 60, 63, 502, 577, 622, 628, 676, 668, 669**

[56] **References Cited**

U.S. PATENT DOCUMENTS

4,451,100 5/1984 Jaconette 439/92
4,502,744 3/1985 Garnett et al. 439/92

OTHER PUBLICATIONS

Hong Kong Enterprise, vol. 4, 1983, p. 252.
3-Com Corp., "Ring Tap" & Token Plus Cabling System product guide, p. 3.

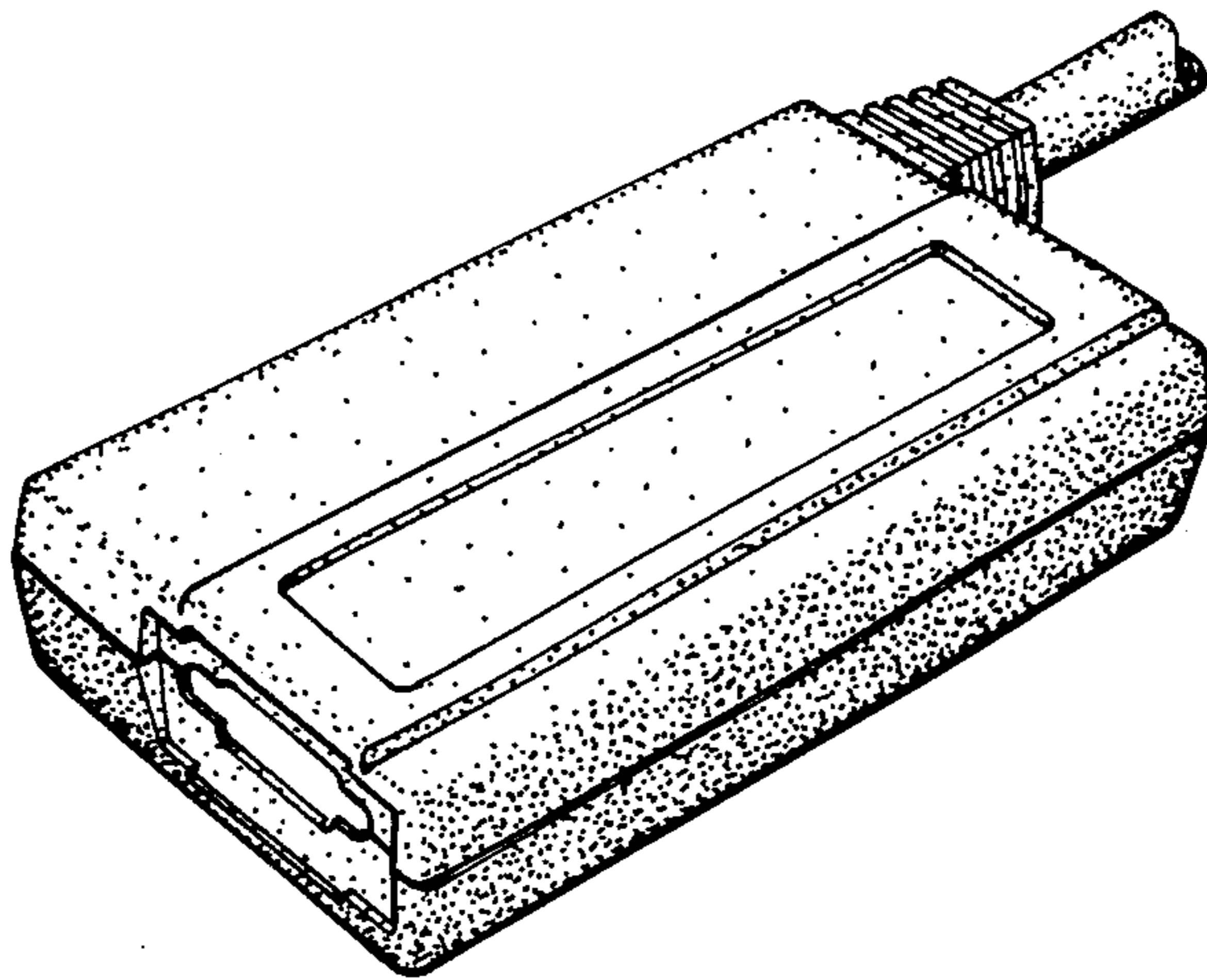
Primary Examiner—Bruce W. Dunkins
Assistant Examiner—Clare E. Heflin
Attorney, Agent, or Firm—Townsend and Townsend

[57] **CLAIM**

The ornamental design for a network interface for computer equipment or the like, as shown and described.

DESCRIPTION

FIG. 1 is a perspective view of a network interface for computer equipment or the like showing my new design, the electric cord being shown broken away for illustration purposes only;
FIG. 2 is a front elevational view thereof;
FIG. 3 is a right side elevational view thereof;
FIG. 4 is a top plan view thereof with the bottom plan view being a mirror image;
FIG. 5 is a left side elevational view thereof; and
FIG. 6 is a back elevational view thereof.



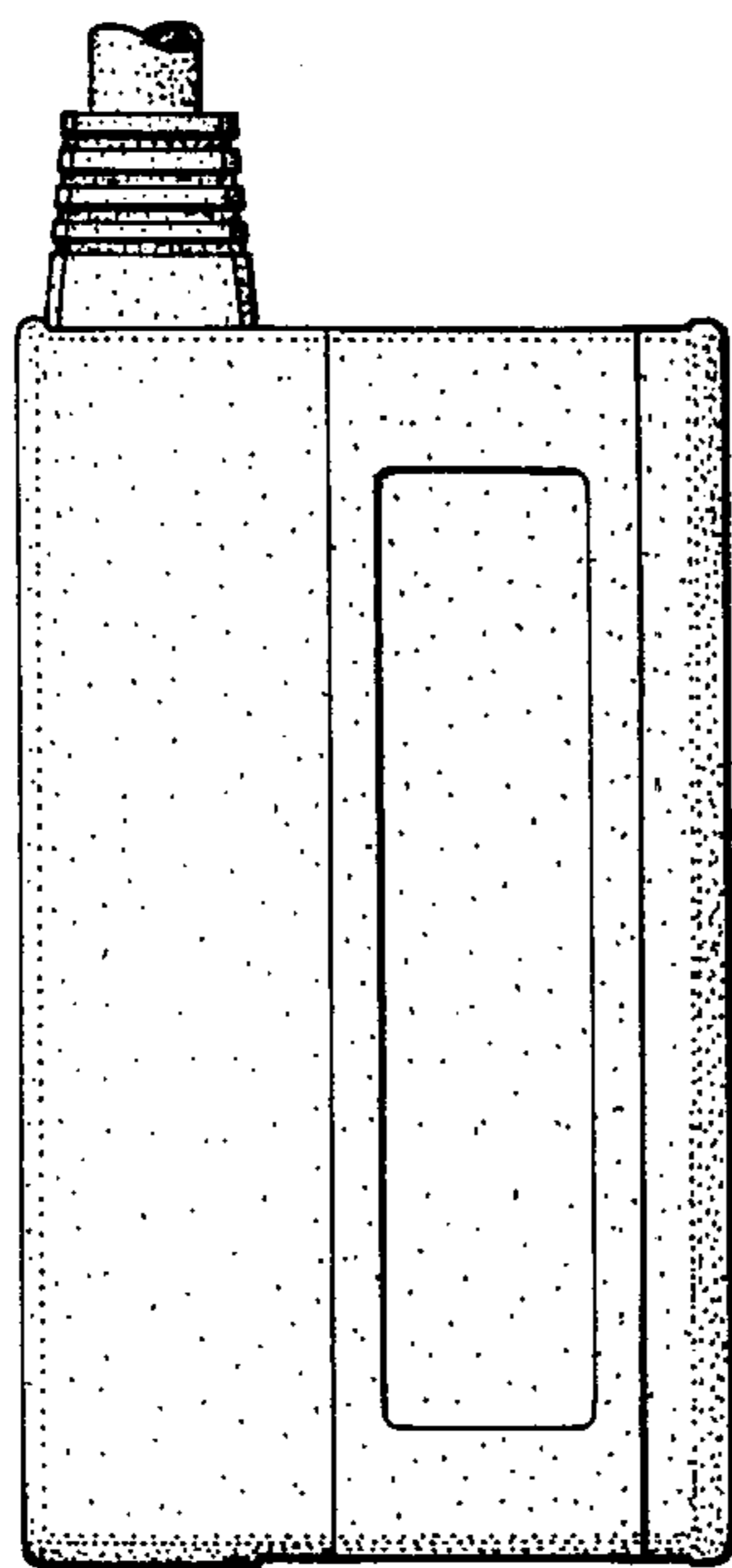


FIG._2.

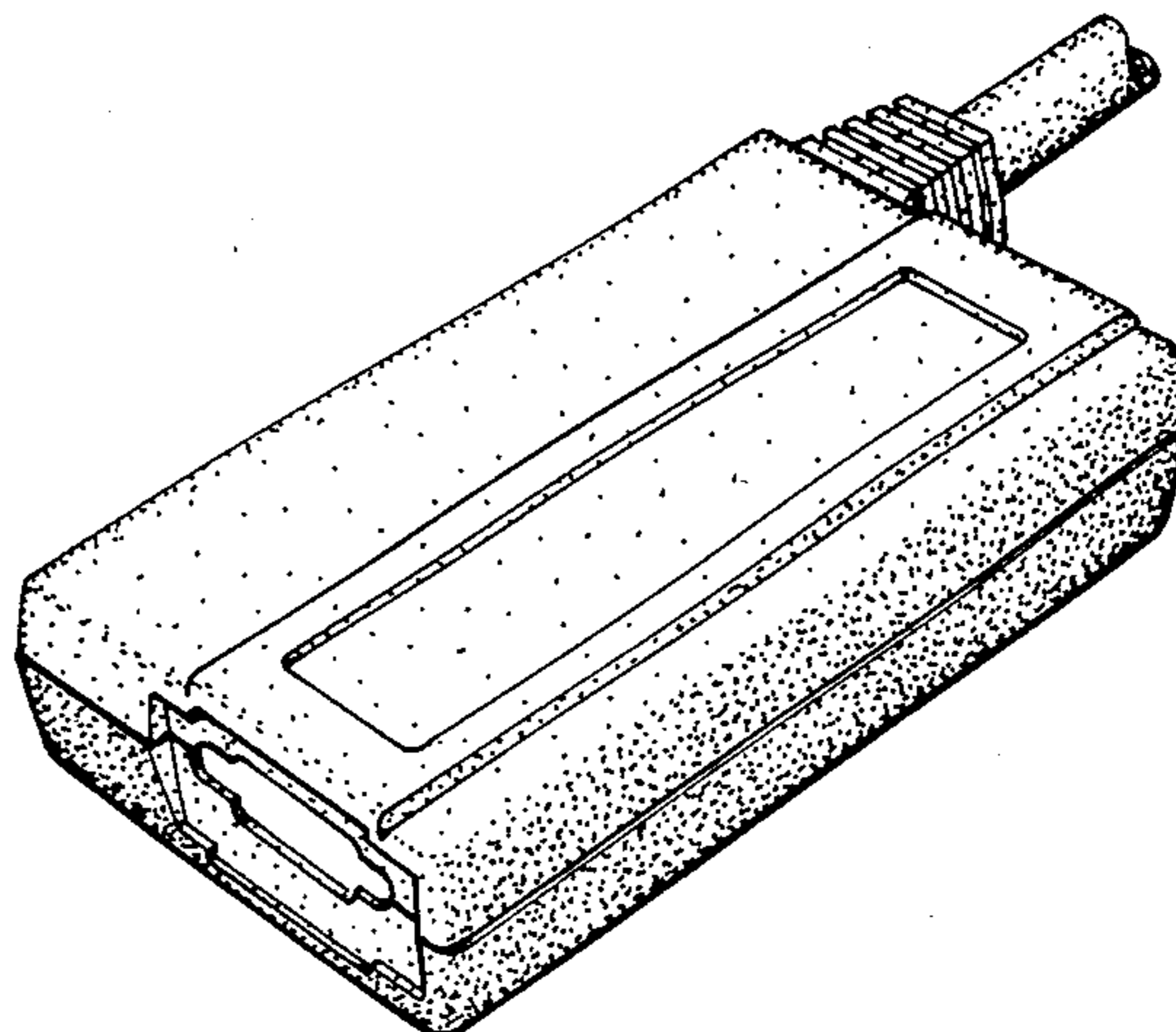


FIG._1.

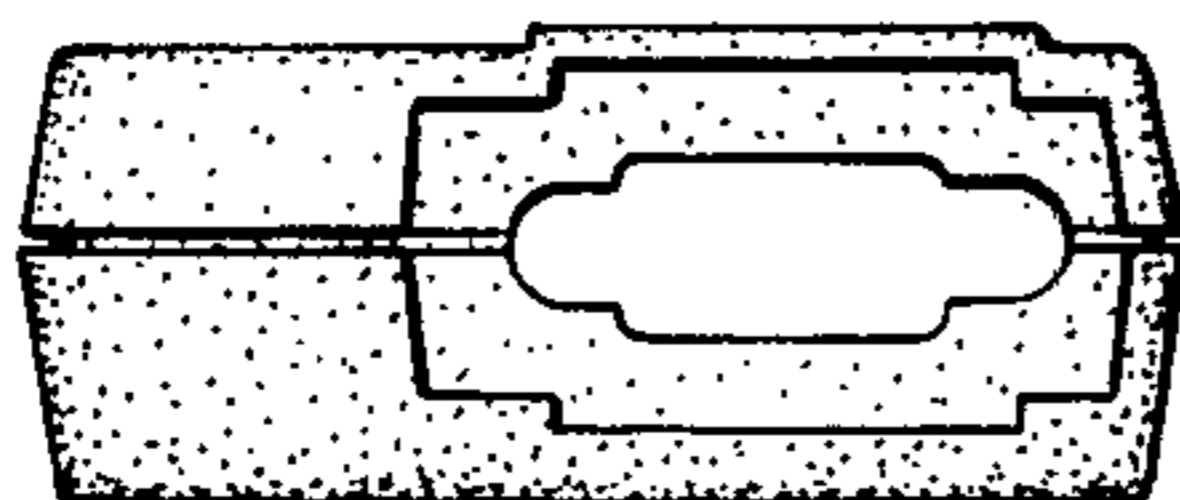


FIG._3.

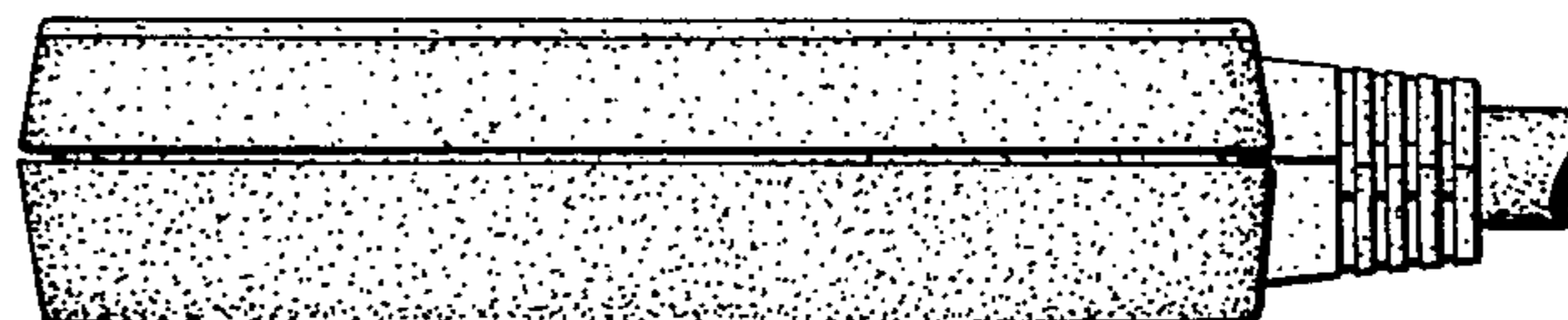


FIG._4.

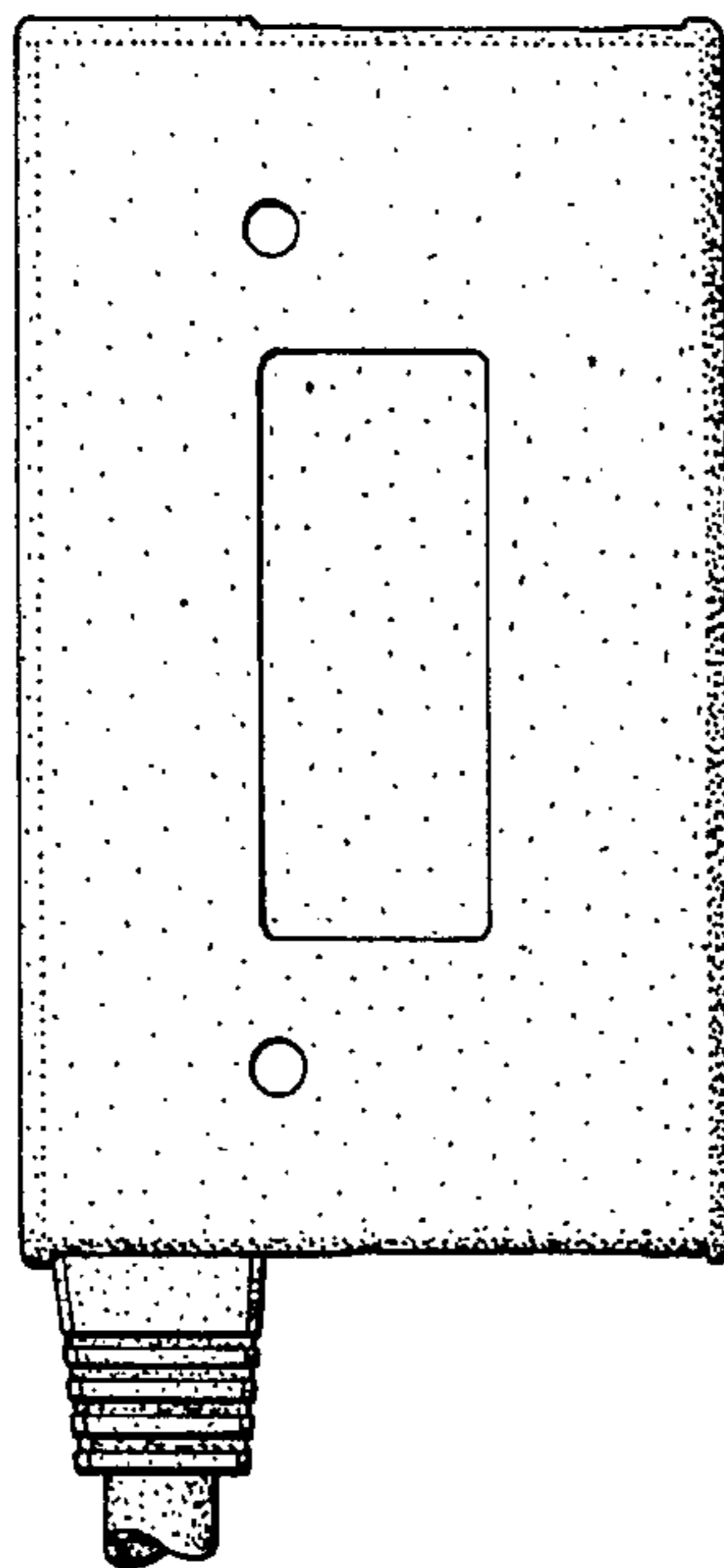


FIG._6.

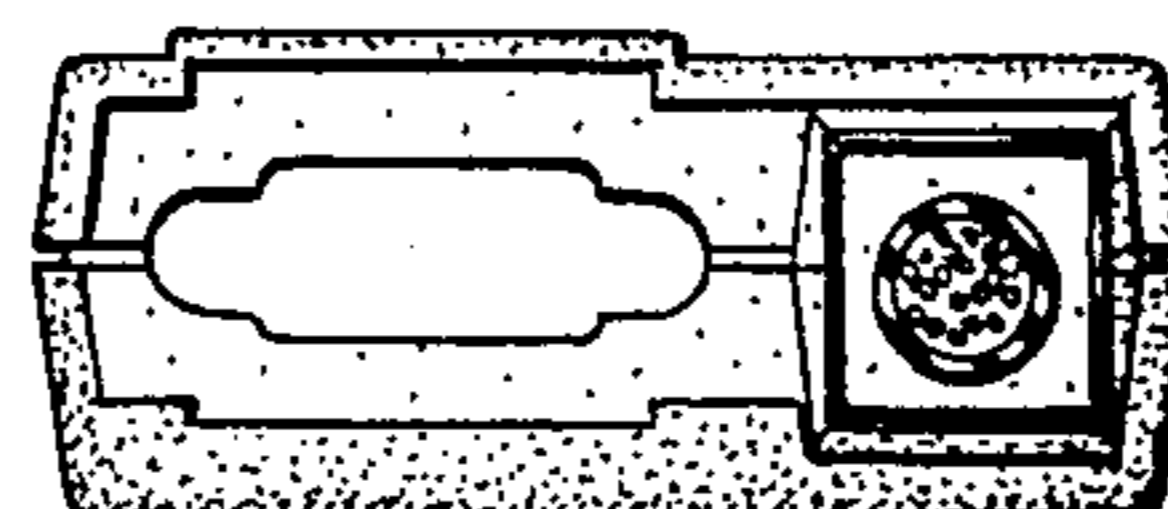


FIG._5.