

United States Patent [19]

Irelan

[11] Patent Number: **Des. 299,629**

[45] Date of Patent: **** Jan. 31, 1989**

[54] **TRAILER**

[75] Inventor: **John A. Irelan, Elkhart, Ind.**

[73] Assignee: **Coachmen Industries, Inc., Elkhart, Ind.**

[**] Term: **14 Years**

[21] Appl. No.: **944,534**

[22] Filed: **Dec. 22, 1986**

[52] U.S. Cl. **D12/102**

[58] Field of Search **D12/102, 104; 280/63, 280/402**

[56] **References Cited**

U.S. PATENT DOCUMENTS

D. 240,213 6/1976 Beckwith, Jr. D12/102
D. 251,244 3/1979 Olmstead et al. D12/104

Primary Examiner—James M. Gandy
Attorney, Agent, or Firm—Thomas J. Dodd

[57] **CLAIM**

The ornamental design for a trailer, as shown.

DESCRIPTION

FIG. 1 is a top, left, front perspective view of a trailer showing my new design;

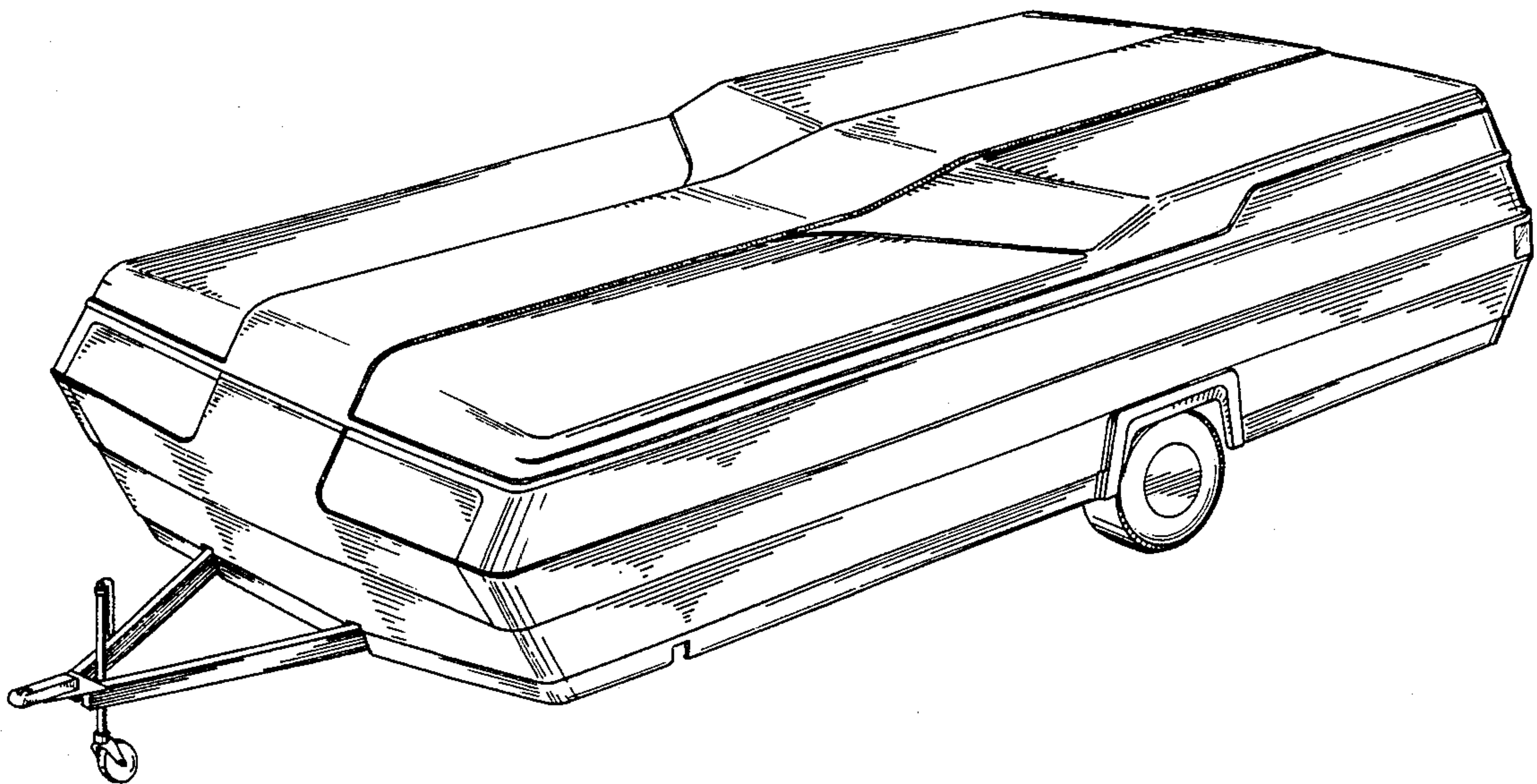
FIG. 2 is a right side elevational view thereof;

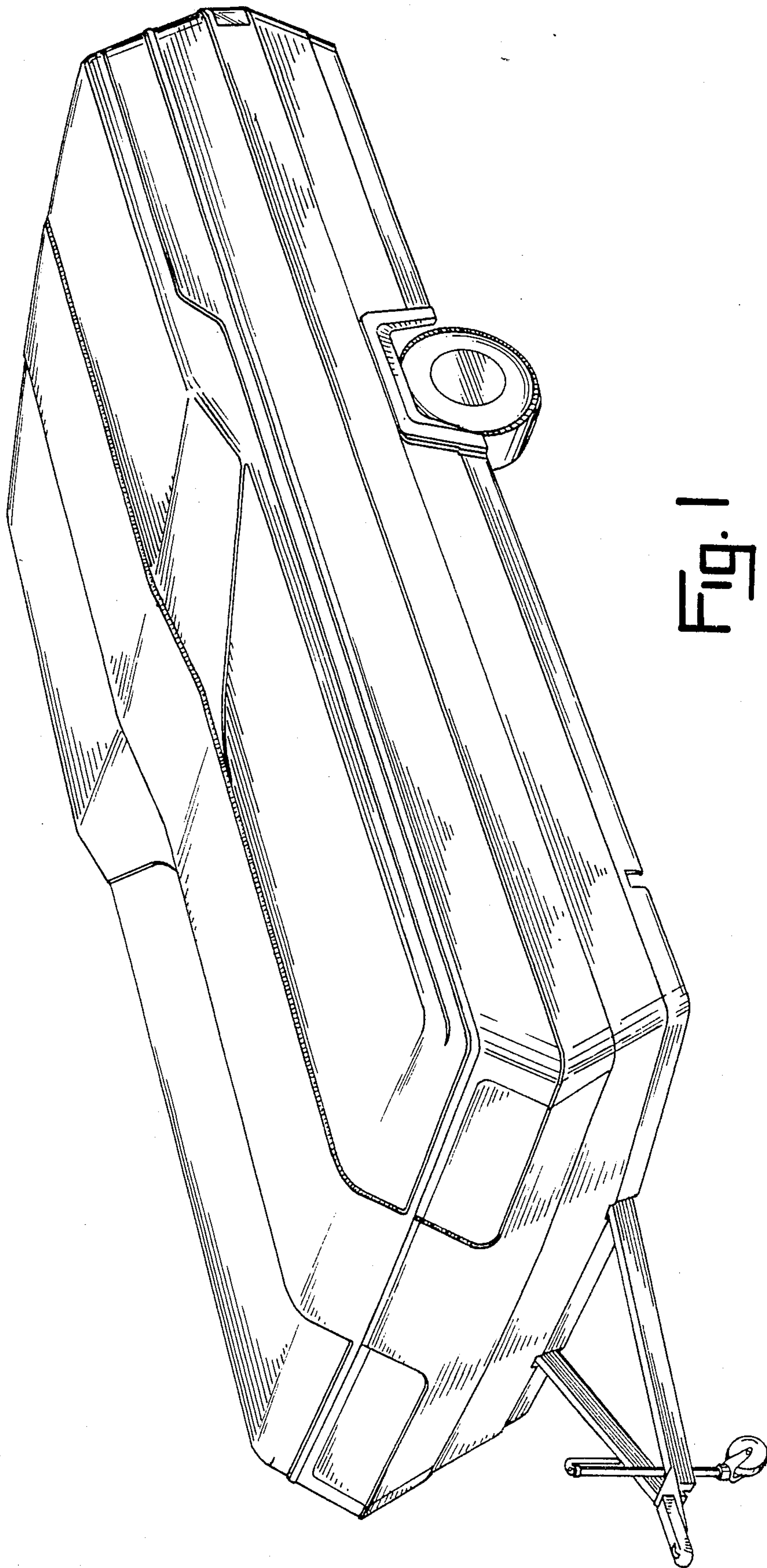
FIG. 3 is a top plan view thereof;

FIG. 4 is a rear elevational view thereof; and

FIG. 5 is a front elevational view thereof.

The bottom of the towable vehicle is unornamented.





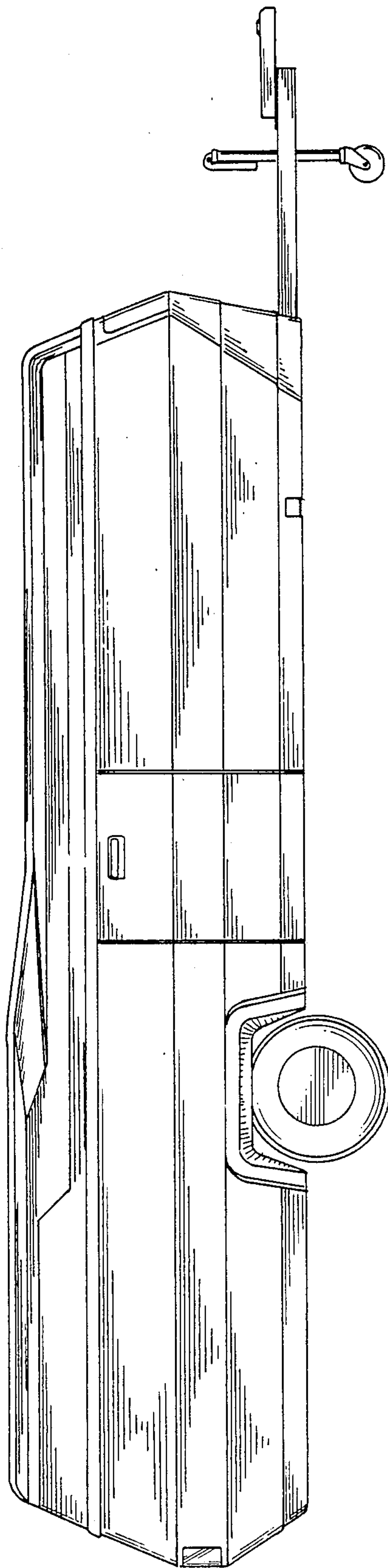


FIG. 2

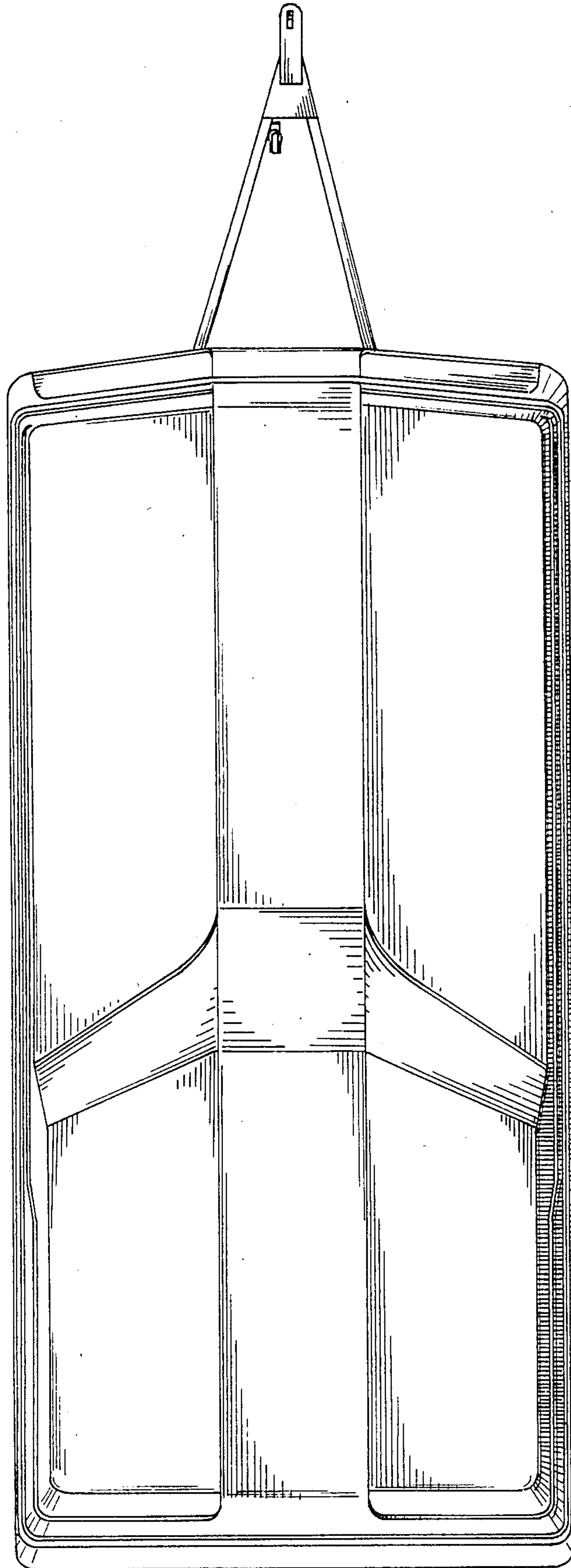


FIG. 3

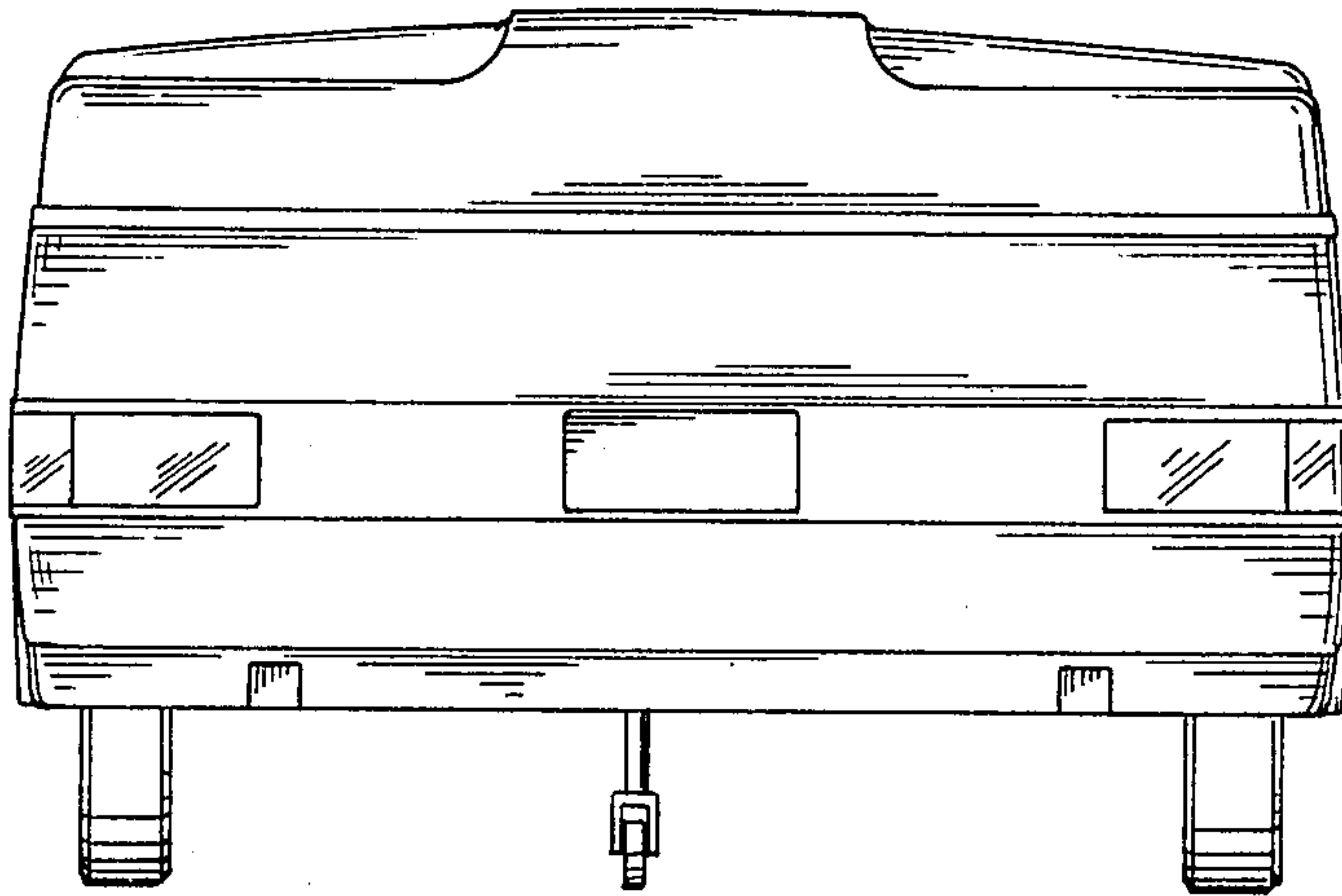


Fig. 4

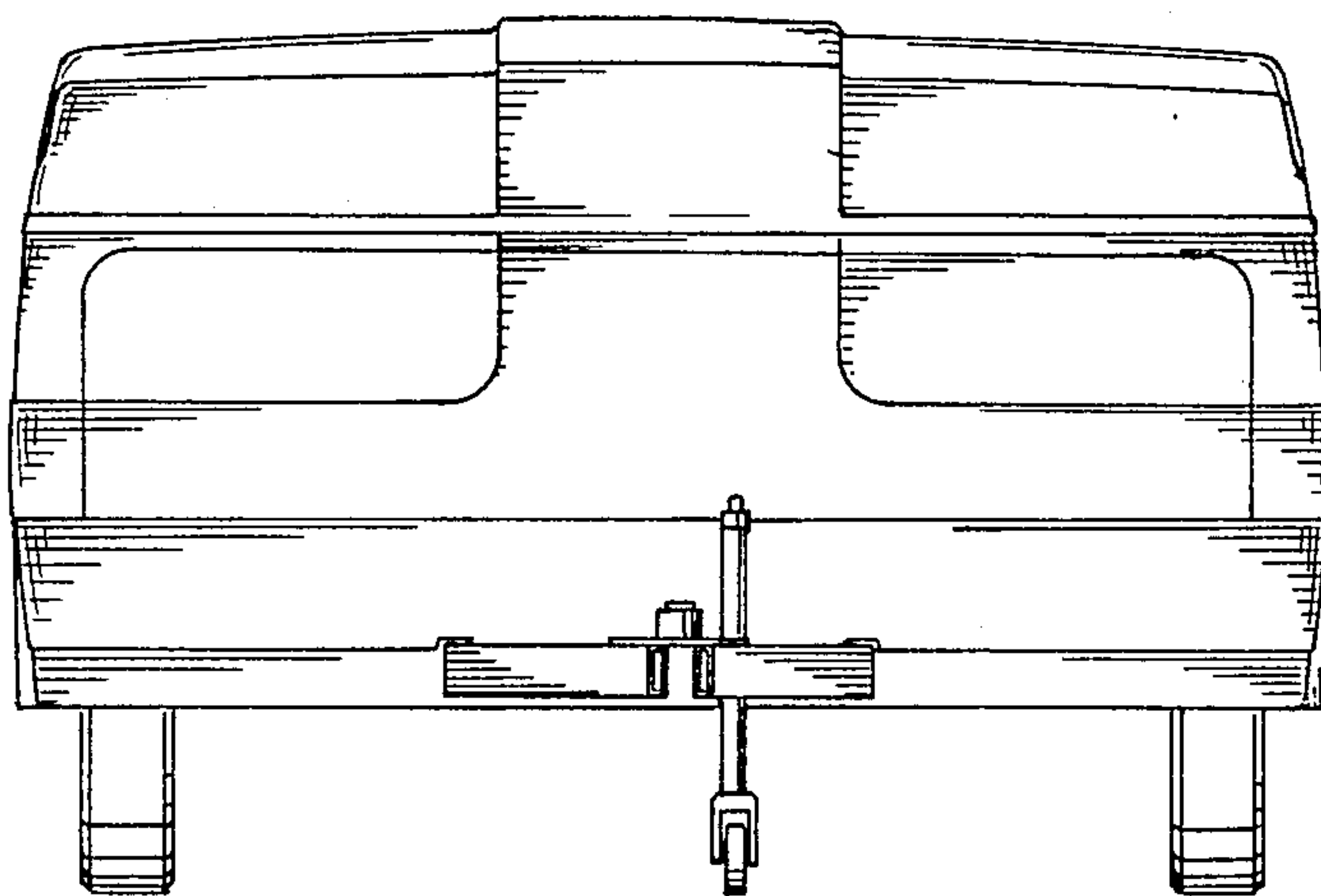


Fig. 5