

[54] BELTED PACKAGE FOR FLEXIBLE DRINKING STRAWS

[75] Inventor: Jong I. Kim, Kumdan-Myun, Rep. of Korea

[73] Assignee: Seoil Industrial Co., Ltd., Seoul, Rep. of Korea

[**] Term: 14 Years

[21] Appl. No.: 804,640

[22] Filed: Dec. 4, 1985

[52] U.S. Cl. D9/345; D9/341

[58] Field of Search D9/341, 345; 206/443, 206/820

[56] References Cited

U.S. PATENT DOCUMENTS

4,158,408	6/1979	Thiessen	206/443
4,232,787	11/1980	Holiday	206/443
4,512,472	4/1985	Järund	206/443

FOREIGN PATENT DOCUMENTS

1074185 10/1954 France 206/443

Primary Examiner—Nelson C. Holtje
Attorney, Agent, or Firm—Birch, Stewart, Kolasch & Birch

[57] CLAIM

The ornamental design for a belted package for flexible drinking straws, as shown.

DESCRIPTION

FIG. 1 is a front perspective view of a belted package for flexible drinking straws showing my new design, the broken line showing of an extension of the belt is for environmental purposes only and forms no part of the claimed design.

FIG. 2 is a top plan view thereof;

FIG. 3 is a front elevational view thereof;

FIG. 4 is a right side elevational view thereof;

FIG. 5 is a bottom plan view thereof;

FIG. 6 is a left side elevational view thereof; and

FIG. 7 is a rear elevational view thereof.

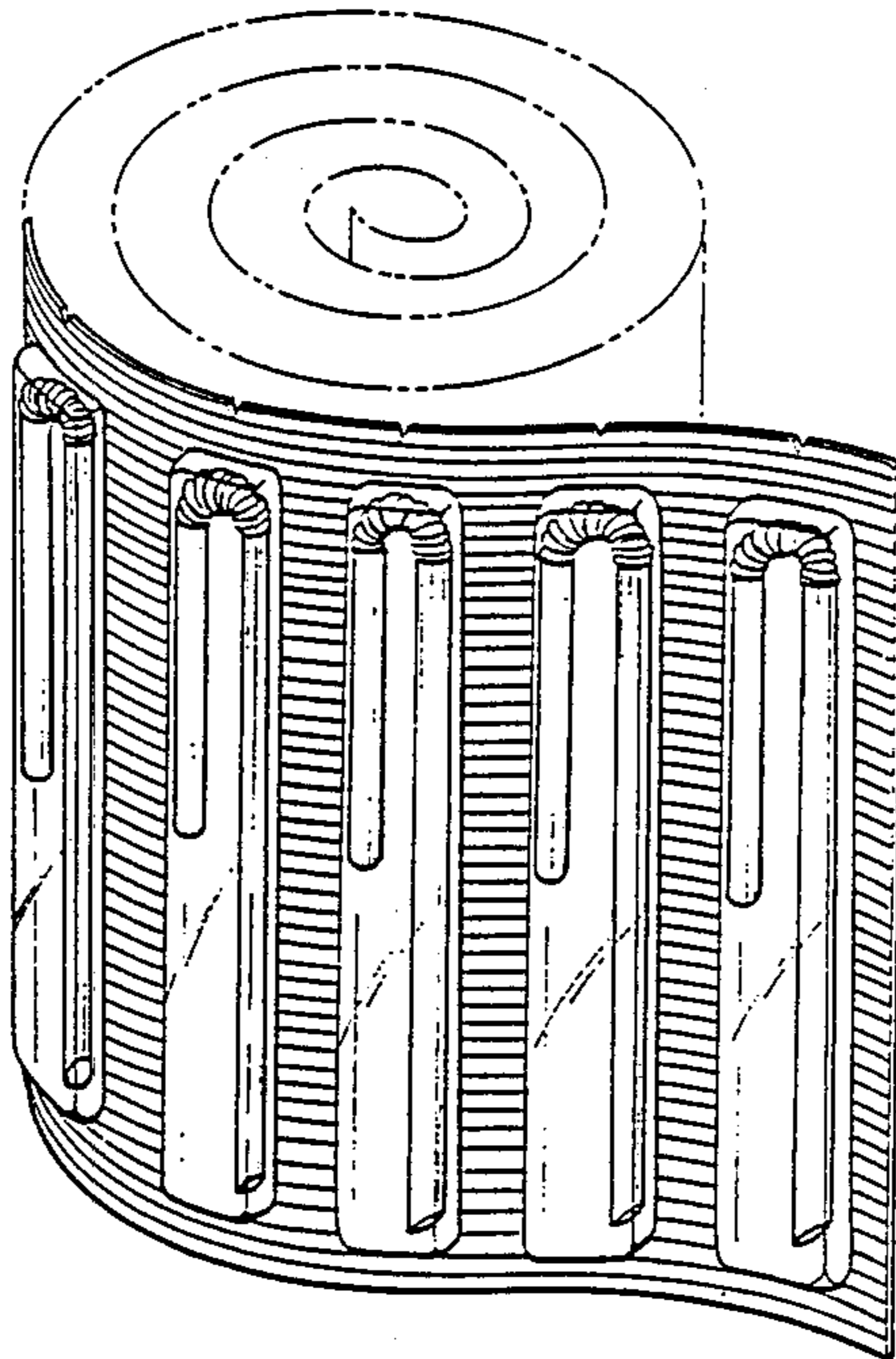


FIG. 1.

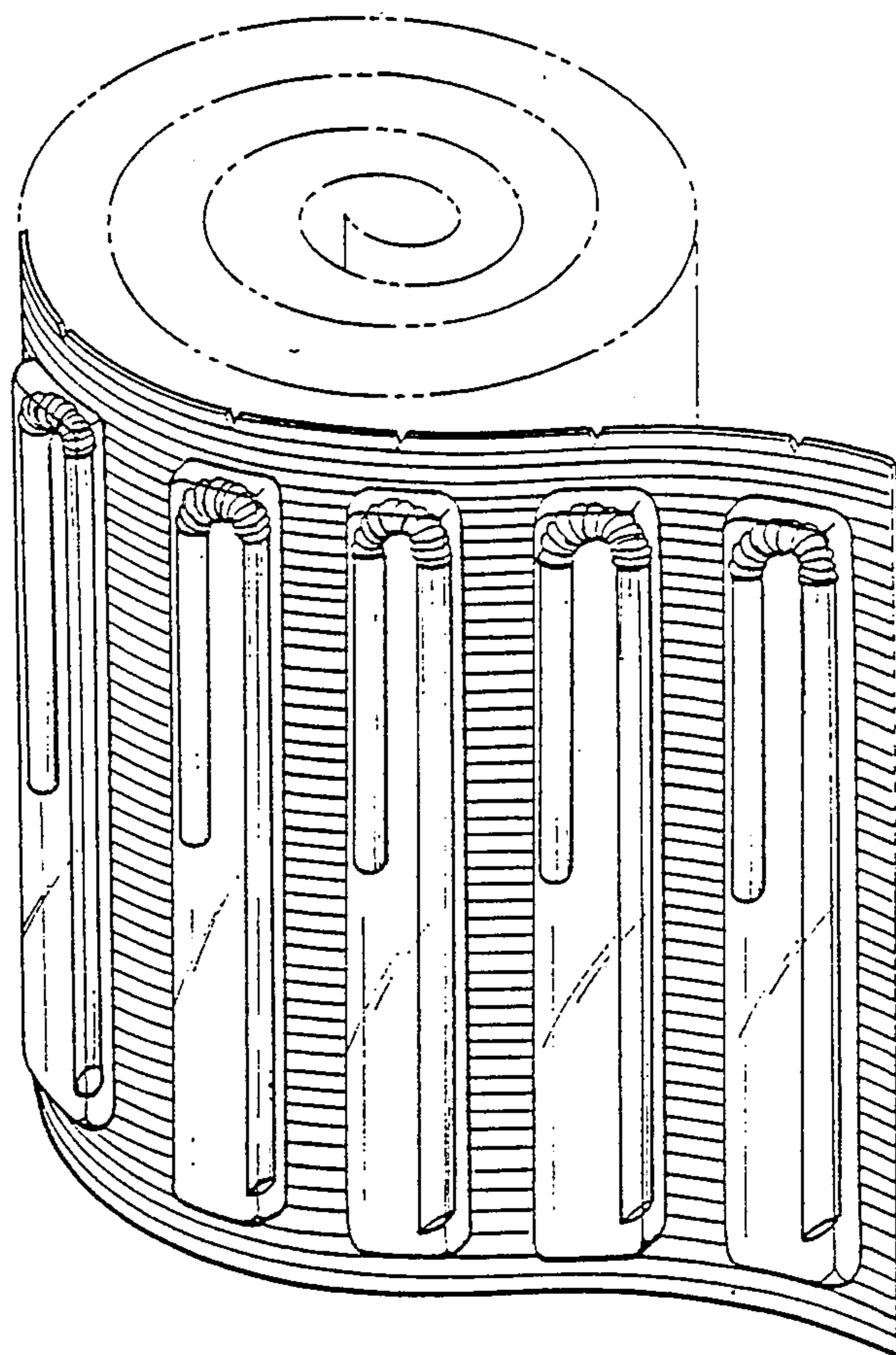


FIG. 2.



FIG. 3.

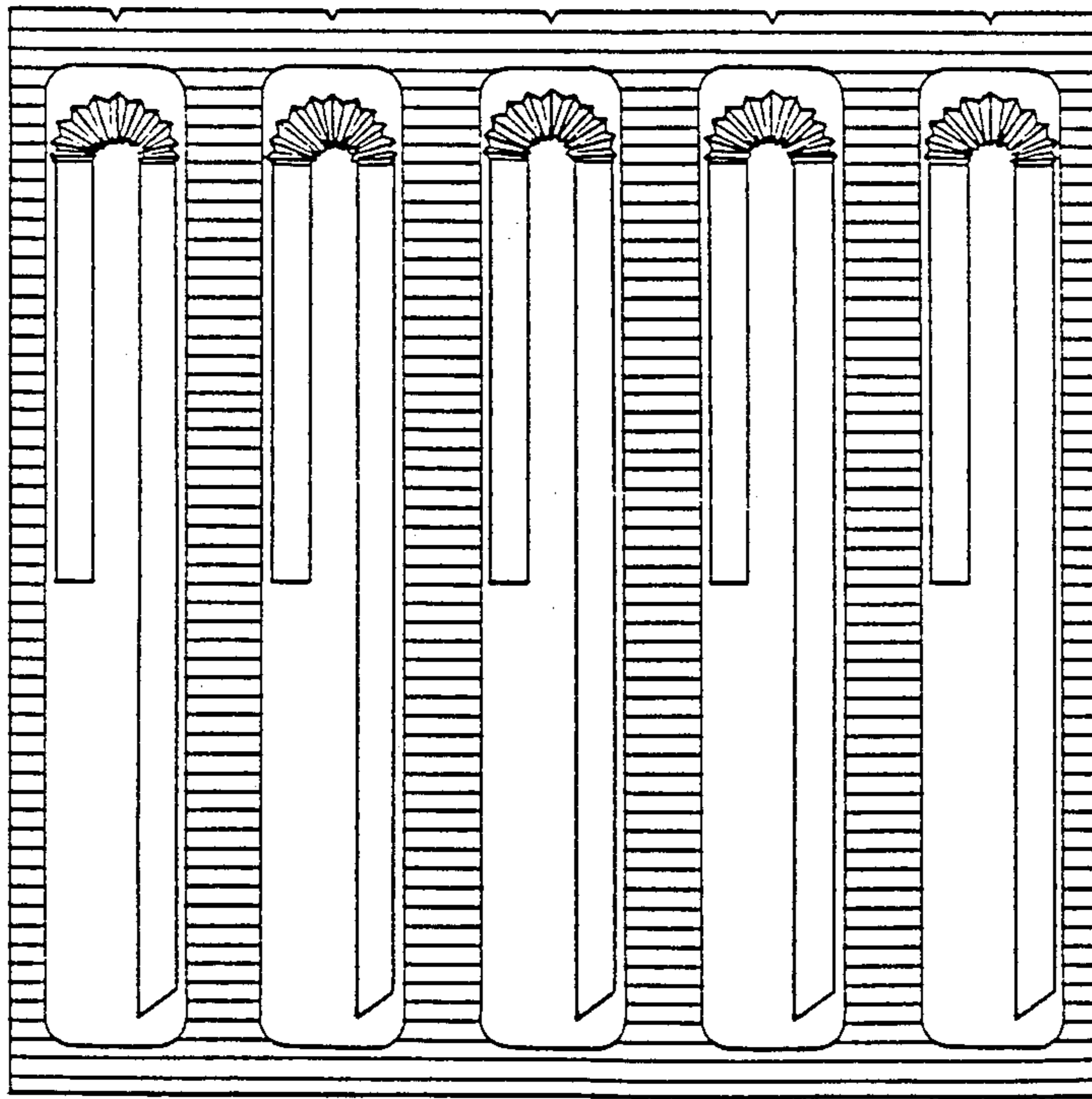


FIG. 4.



FIG. 5.



FIG. 6.



FIG. 7.

