

[54] COMBINATION FLAT HOSE AND REEL CASSETTE FRAME THEREFOR

[75] Inventors: Nicholas A. M. Drought, Spennymoor; Keith Vallis, Maidenhead, both of England

[73] Assignee: Black & Decker Inc., Newark, Del.

[\*\*] Term: 14 Years

[21] Appl. No.: 851,431

[22] Filed: Apr. 11, 1986

[30] Foreign Application Priority Data

Oct. 14, 1985 [GB] United Kingdom ..... 1029811

[52] U.S. Cl. .... D8/359; 242/86

[58] Field of Search ..... D8/358, 359; D22/140, D22/137; 242/86, 84.8

[56] References Cited

U.S. PATENT DOCUMENTS

D. 204,893	5/1966	Wonsch	.....	D8/359
D. 257,423	10/1980	Tredmann	.....	D8/359
672,543	4/1901	Wirt	.....	242/86
1,520,808	12/1924	Chippindale	.....	242/86
2,669,483	2/1954	Fletcher	.....	242/86
3,330,498	7/1967	Rucky	.....	242/86

3,347,487	10/1967	Sellen et al.	.....	242/84.8
4,189,107	2/1980	Quenof et al.	.....	242/84.8
4,251,038	2/1981	Genarme	.....	242/86
4,306,688	12/1981	Hechler, IV	.....	242/86

OTHER PUBLICATIONS

Design Mag.; Jun. 1986; "Salplas", flat hose reel by Jones Garrard, for Salford Plastics; at p. 18.

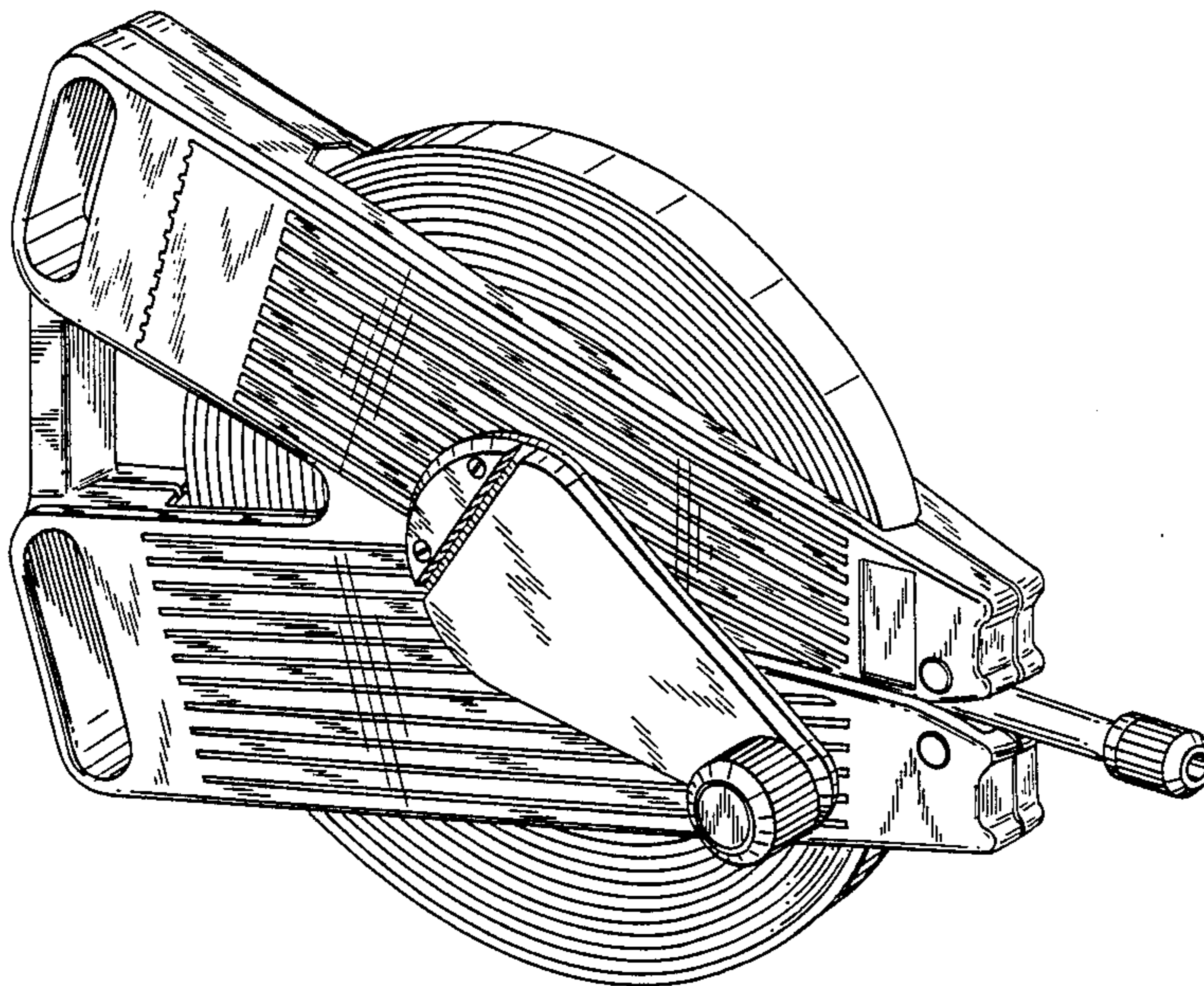
Primary Examiner—Horace B. Fay, Jr.  
Attorney, Agent, or Firm—Edward D. Murphy; Harold Weinstein; Edward D. C. Bartlett

[57] CLAIM

The ornamental design for a combination flat hose and reel cassette frame therefor, as shown and described.

DESCRIPTION

FIG. 1 is a perspective view from above of a combination flat hose and reel cassette frame therefor showing the front and the handle side of our new design; FIG. 2 is an elevational view of the side opposite the side shown in FIG. 1; FIG. 3 is an elevational view of the handle side shown in FIG. 1; FIGS. 4 and 5 are respectively front and rear elevational views thereof; and, FIGS. 6 and 7 are respectively top and bottom plan views thereof.



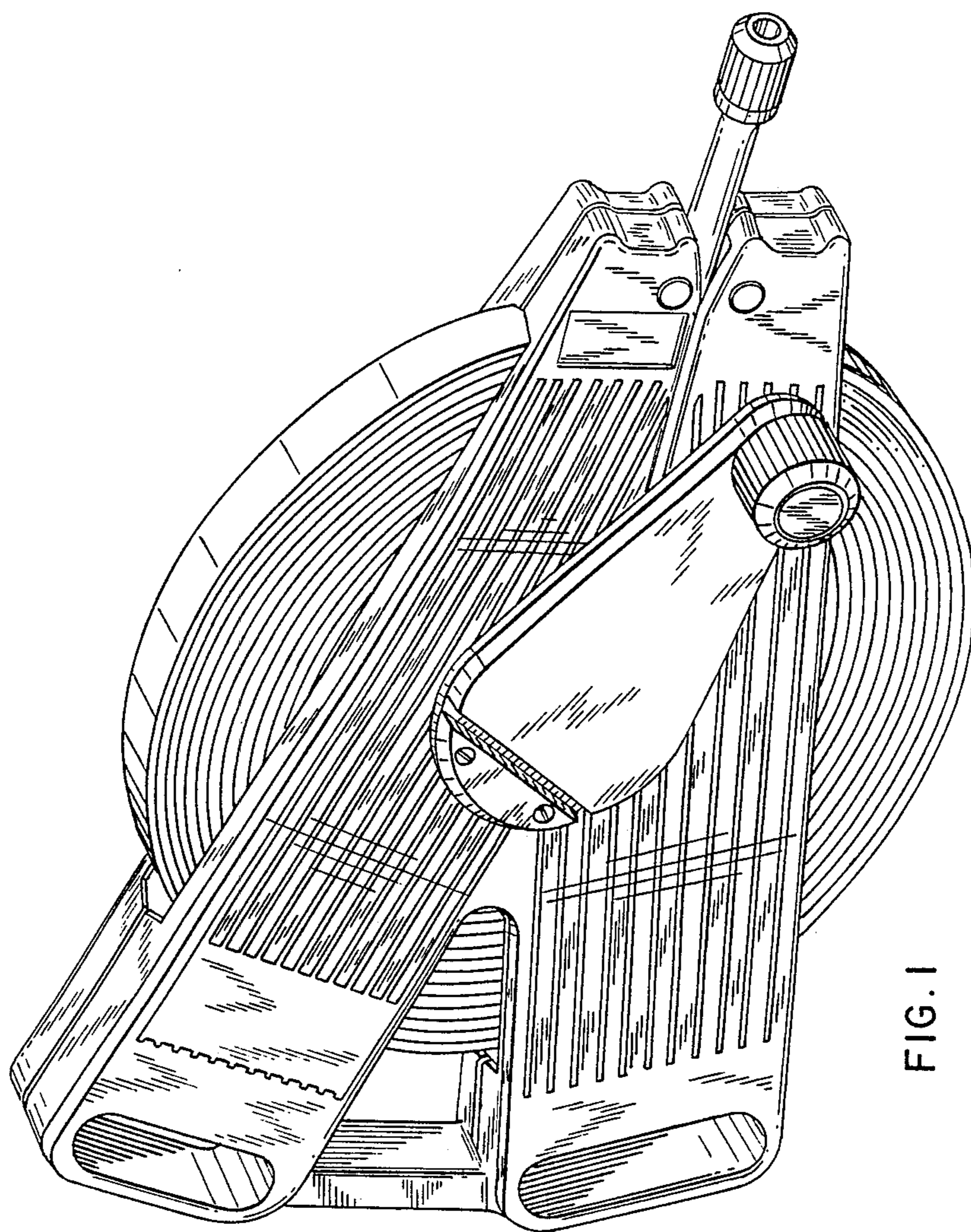


FIG. 1



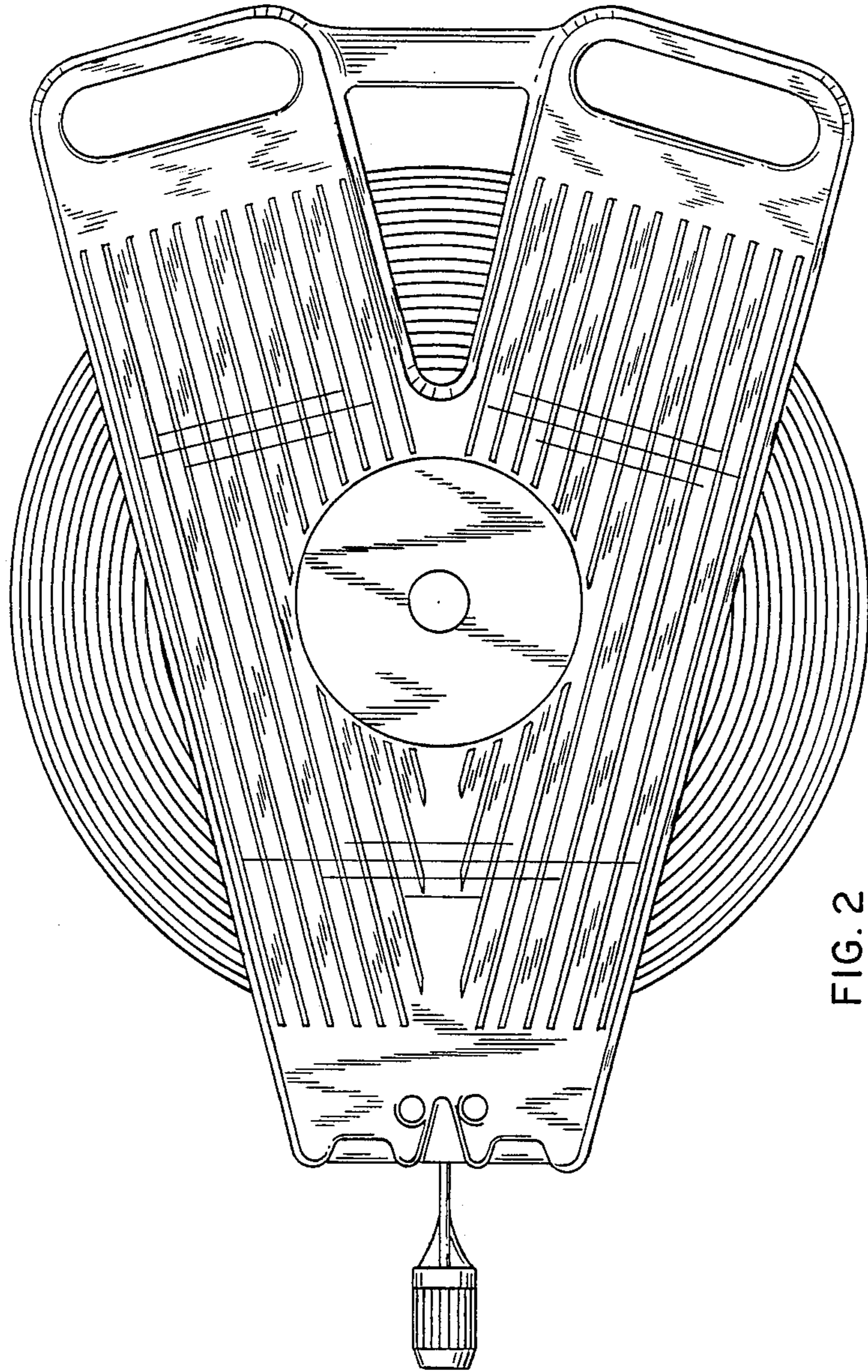


FIG. 2

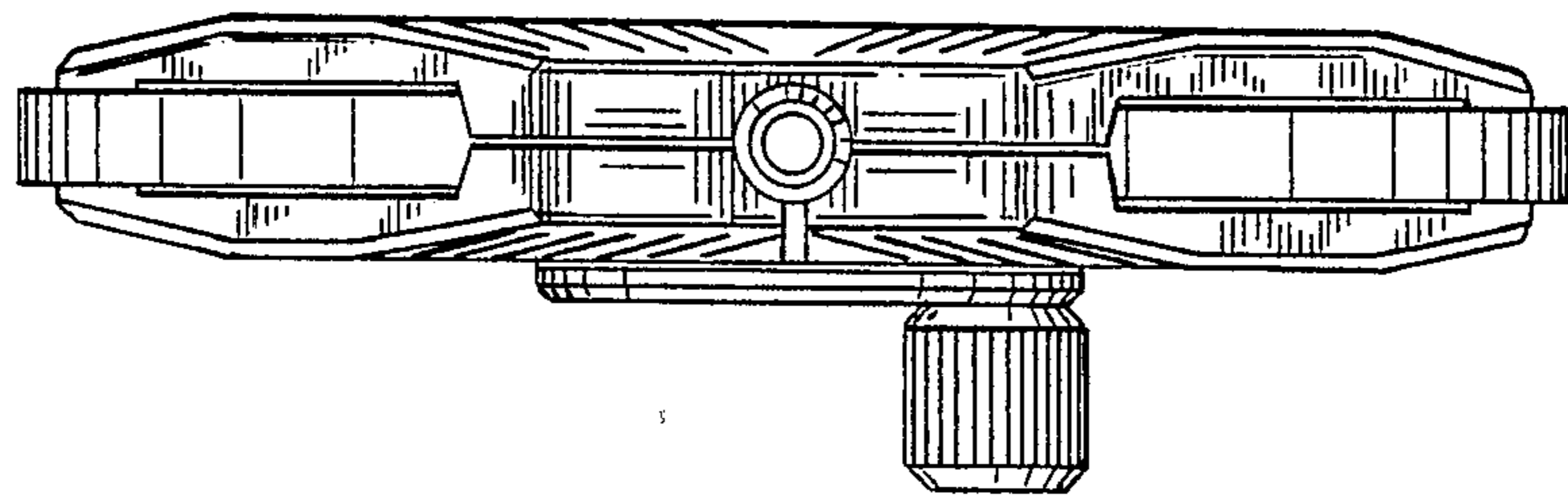


FIG. 4

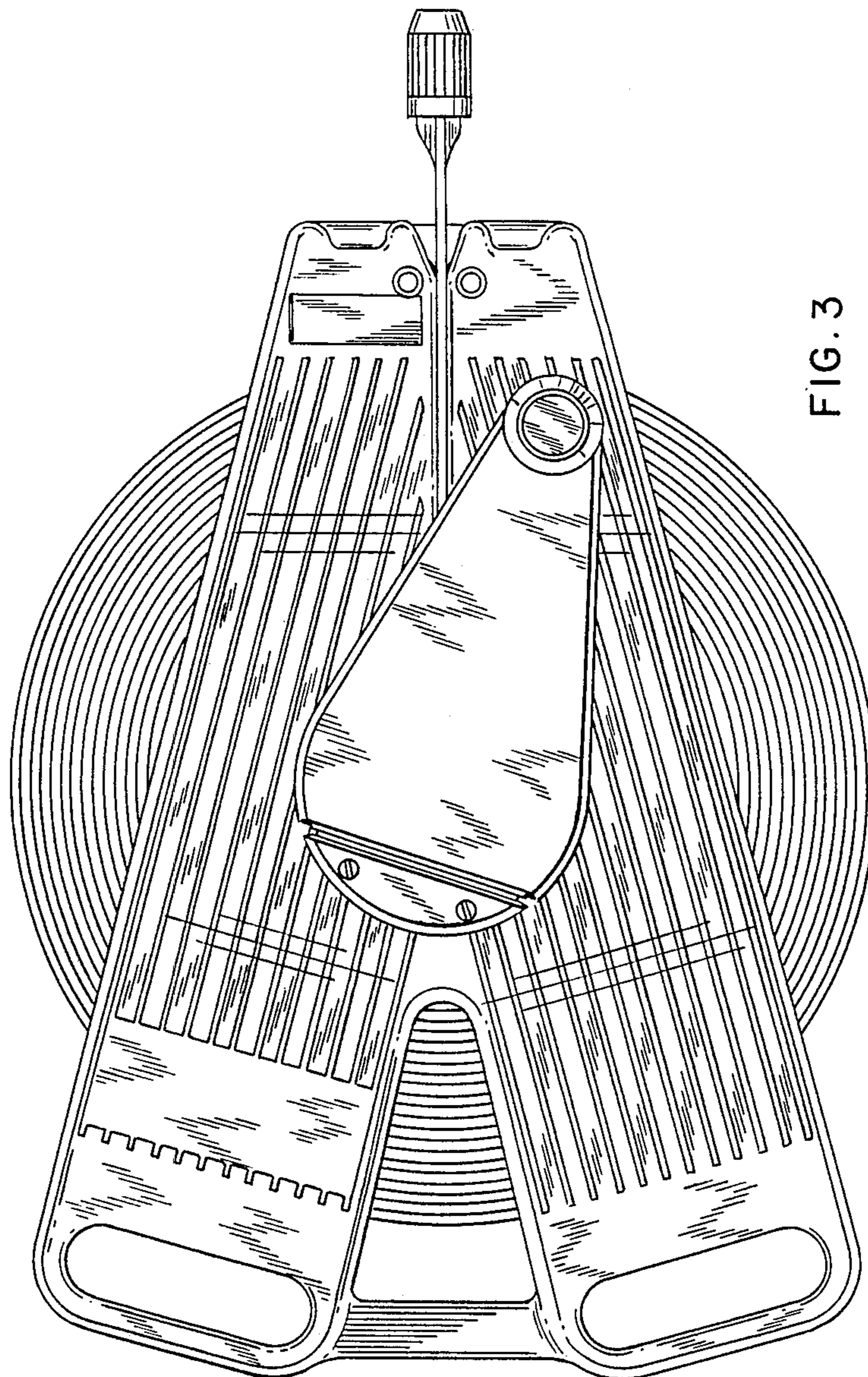


FIG. 3

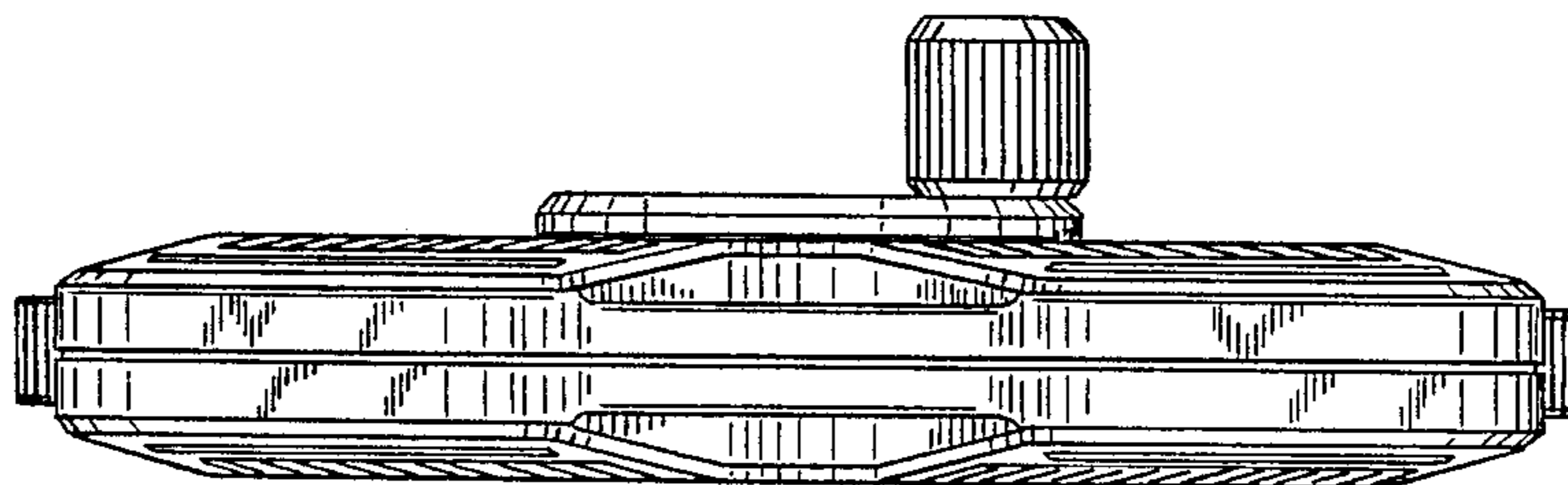


FIG. 5



FIG. 6

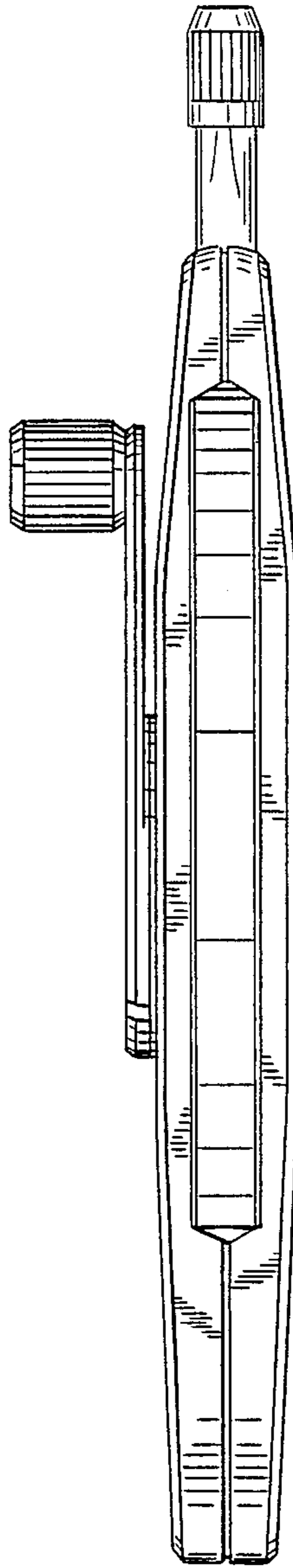


FIG. 7