

[54] HINGE FOR REFRIGERATOR DOOR

[75] Inventor: Tetsuo Takahashi, Tokyo, Japan

[73] Assignee: Takigen Manufacturing Co., Ltd., Tokyo, Japan

[**] Term: 14 Years

[21] Appl. No.: 899,618

[22] Filed: Aug. 25, 1986

[52] U.S. Cl. D8/329

[58] Field of Search D8/323, 327, 329; 16/221, 247, 309, 312, 387

[56] References Cited

U.S. PATENT DOCUMENTS

D. 161,654	1/1951	Scovill	D8/327
D. 195,827	8/1963	Melcher	D8/327
D. 272,313	1/1984	Jenkins	D8/327
3,748,688	7/1973	Berkowitz	16/247

Primary Examiner—B. J. Bullock
Attorney, Agent, or Firm—Martin Smolowitz

[57] CLAIM

The ornamental design for a hinge for refrigerator door, as shown.

DESCRIPTION

FIG. 1 is a front view of a hinge for refrigerator door showing my new design;
 FIG. 2 is a rear view thereof;
 FIG. 3 is a left side view thereof;
 FIG. 4 is a right side view thereof;
 FIG. 5 is a top view thereof;
 FIG. 6 is a bottom view thereof;
 FIG. 7 is a sectional view taken in the direction of the arrows on line 7—7 of FIG. 5;
 FIG. 8 is a sectional view taken in the direction of the arrows on line 8—8 of FIG. 1;
 FIG. 9 is a sectional view taken in the direction of the arrows on line 9—9 of FIG. 1.

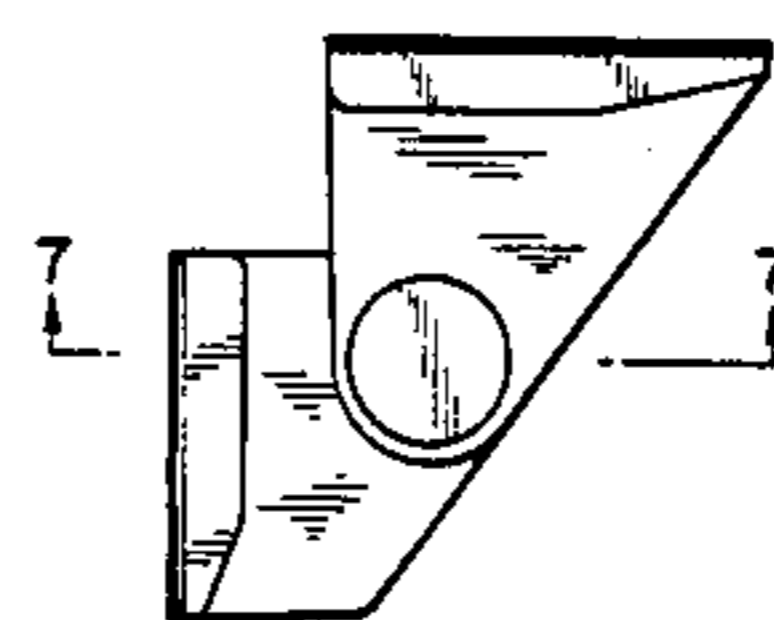
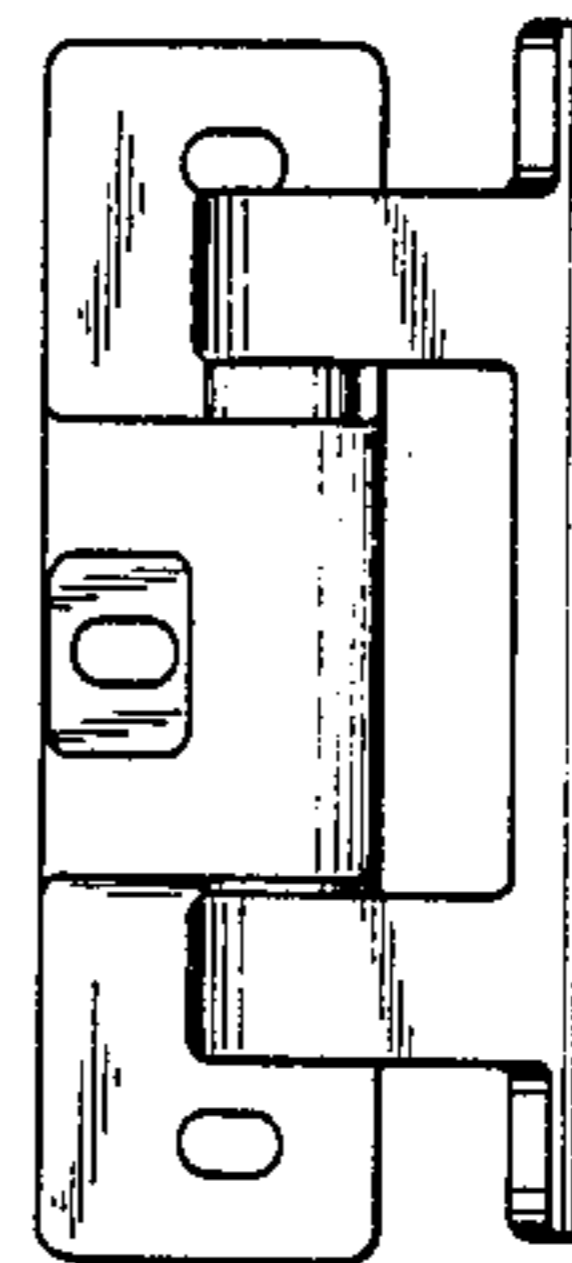
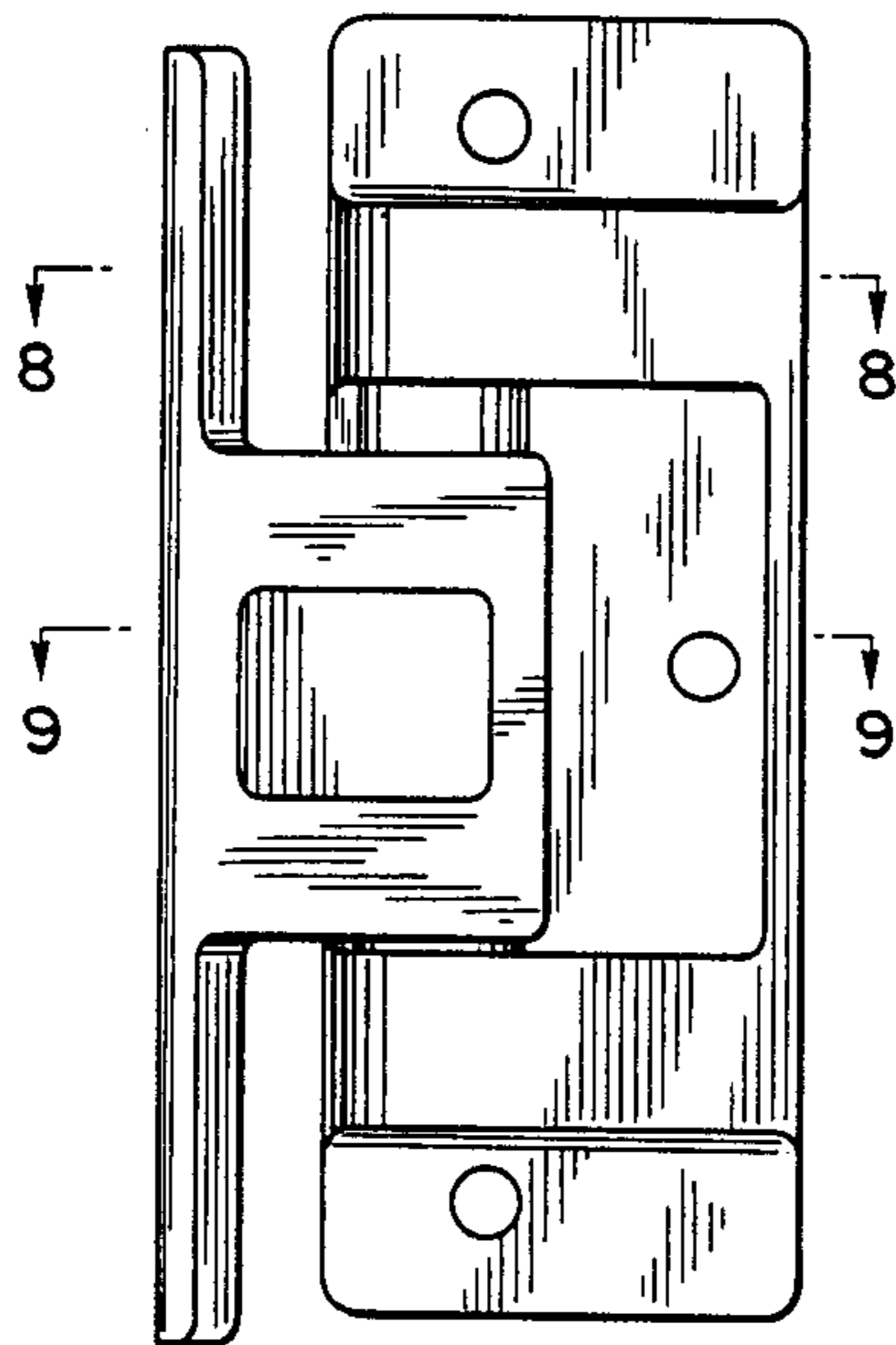


FIG. 1

FIG. 2

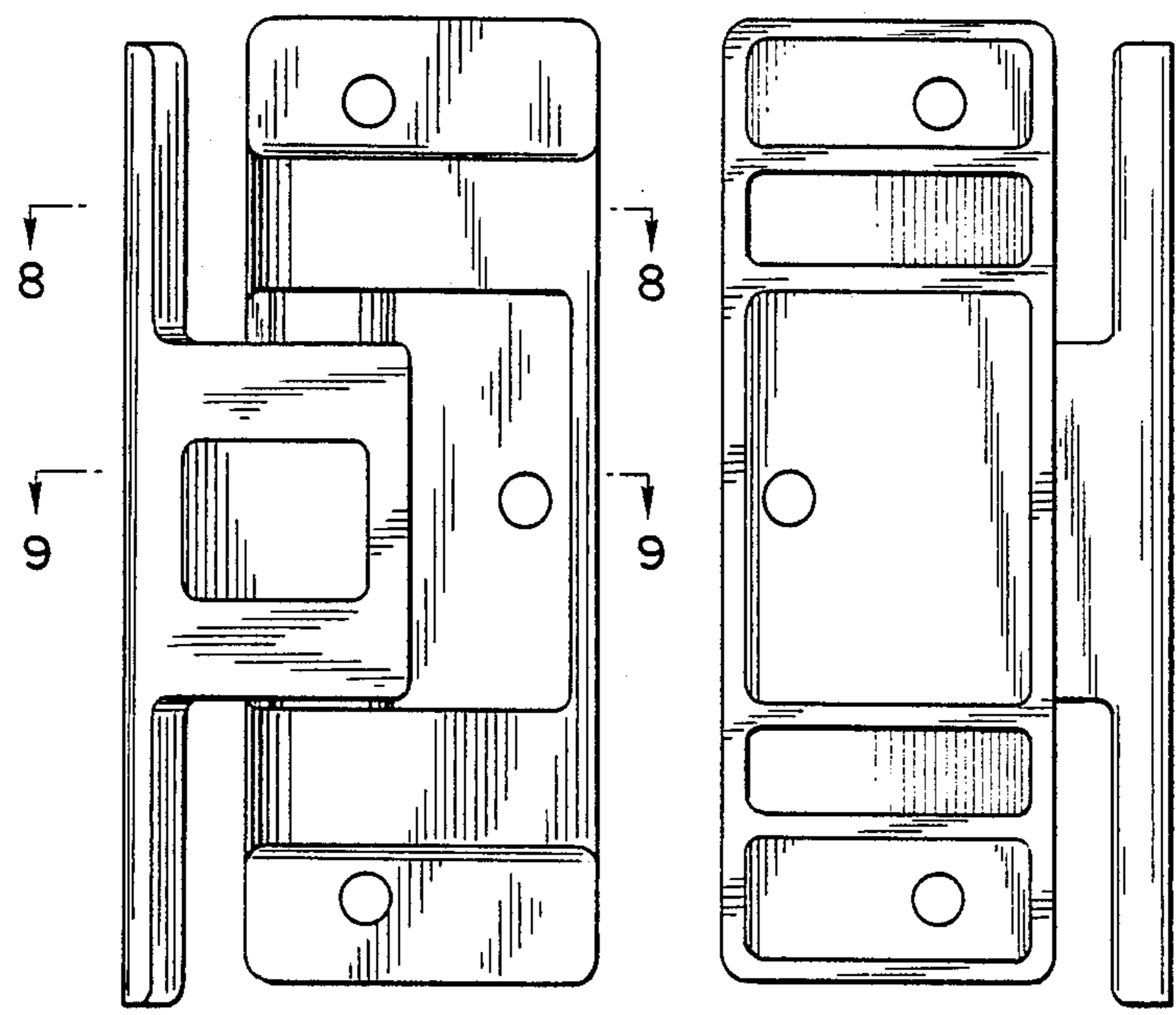


FIG. 3

FIG. 4

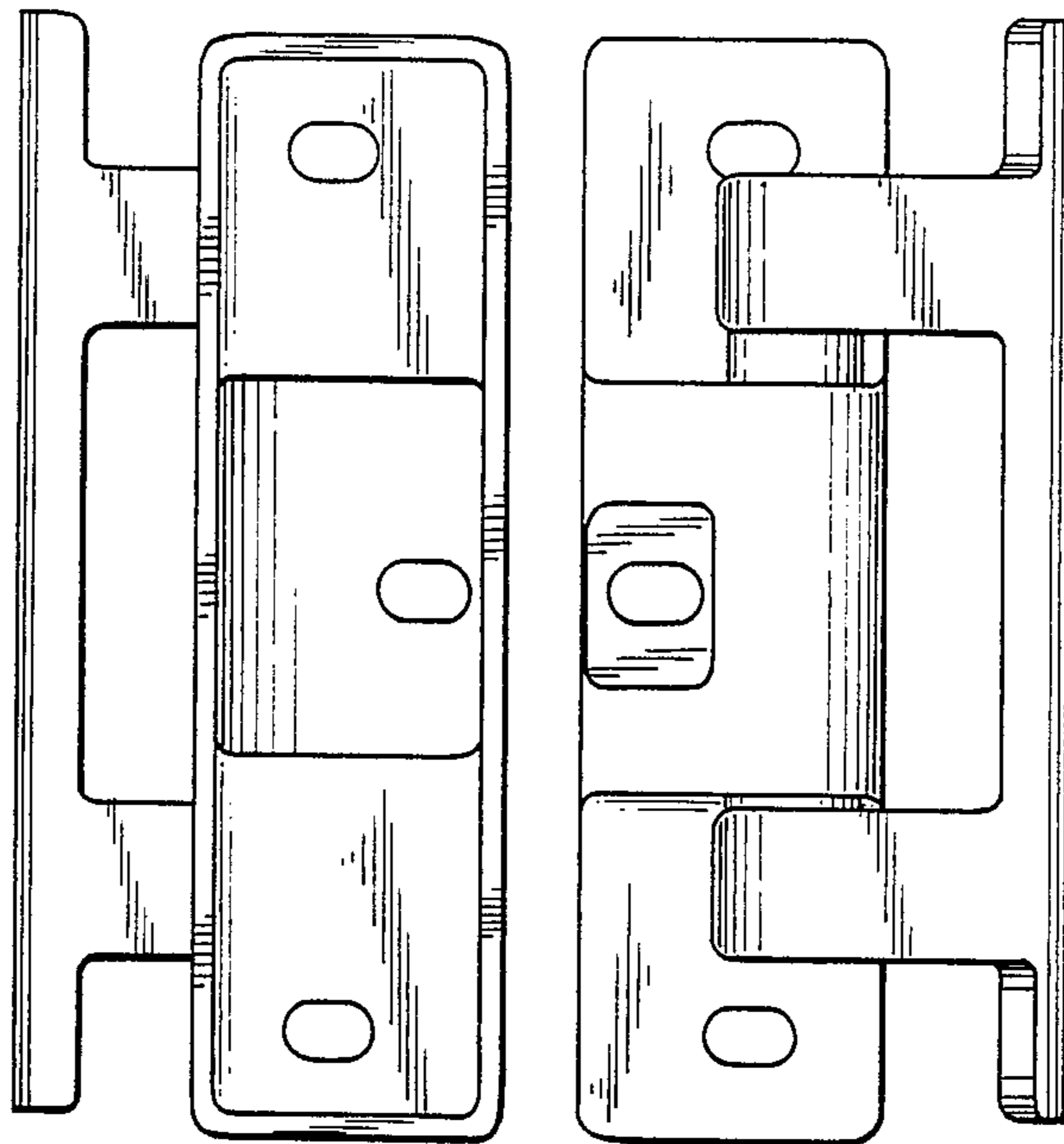


FIG. 5

FIG. 6

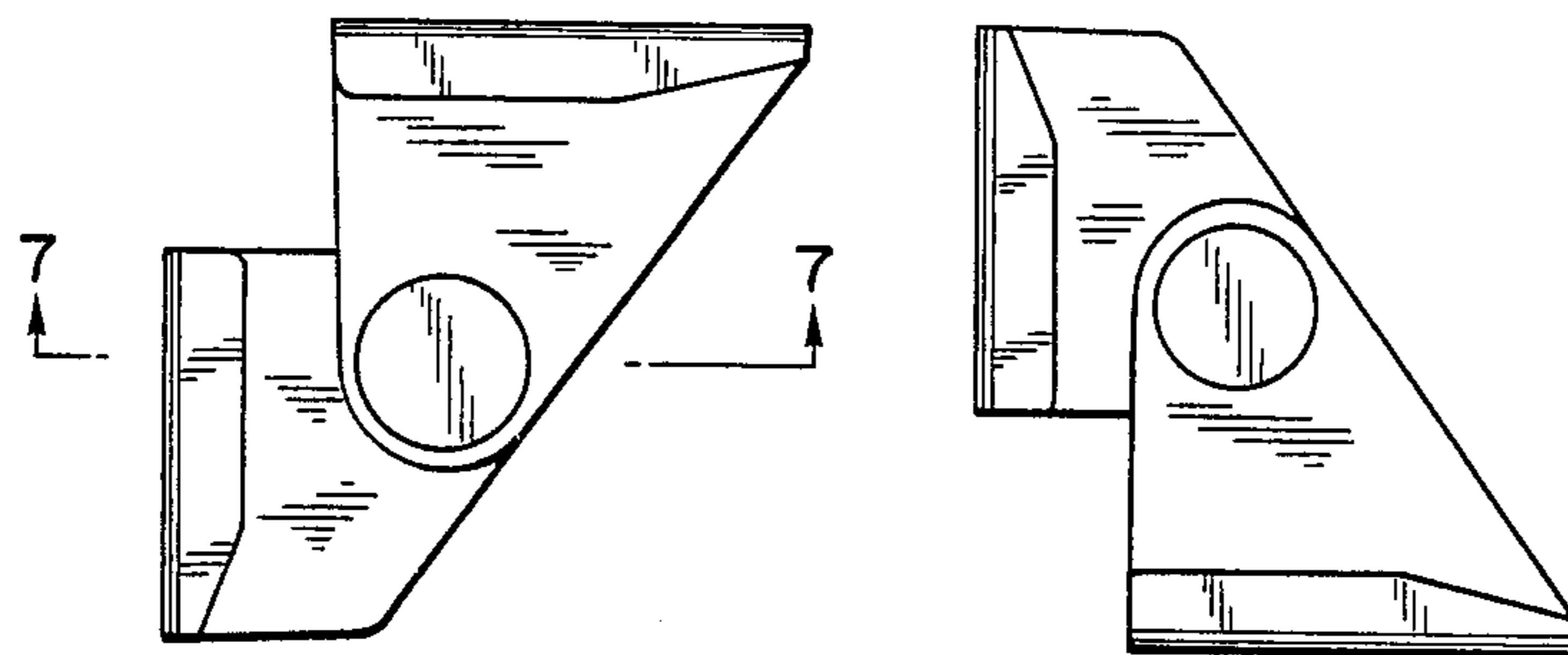


FIG. 7

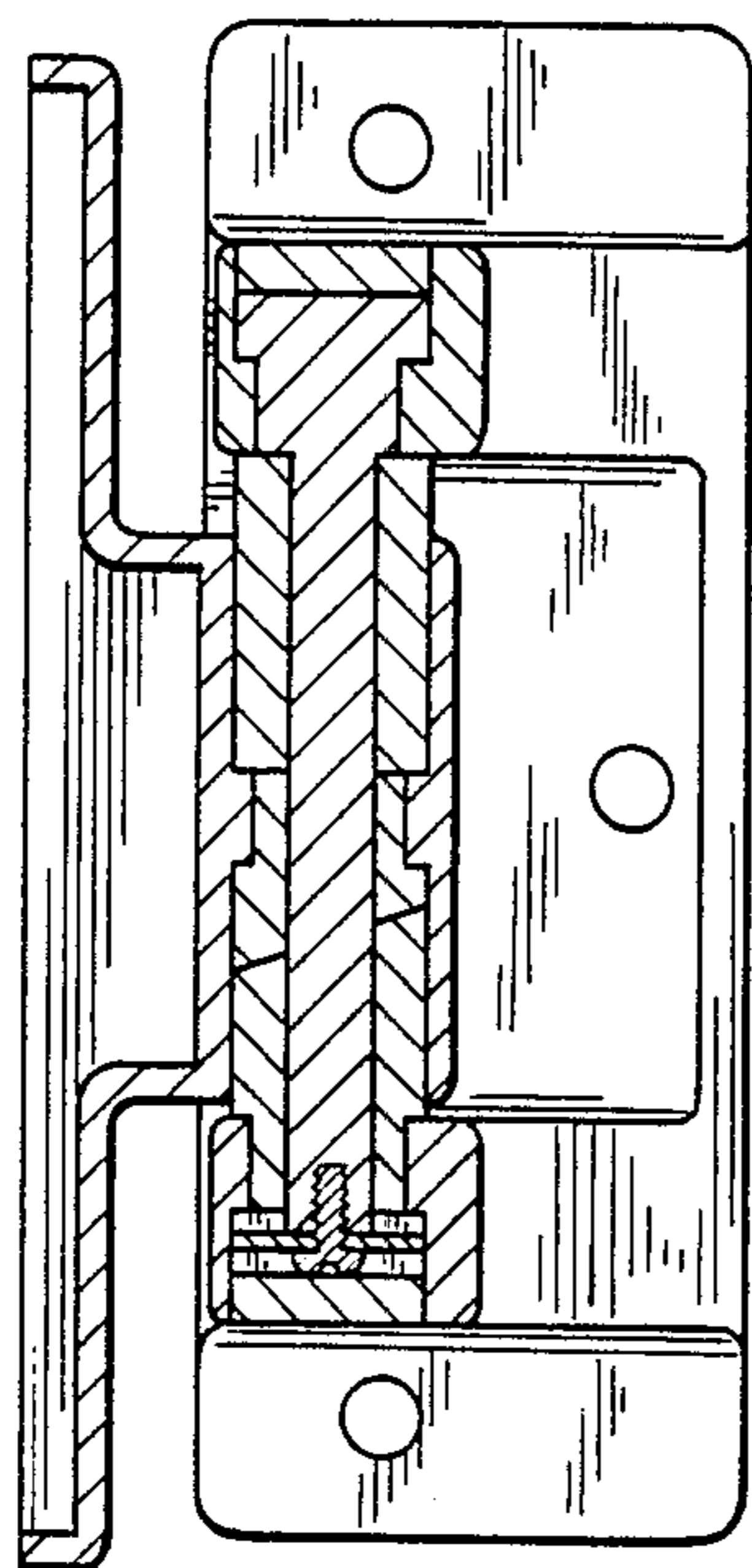


FIG. 8

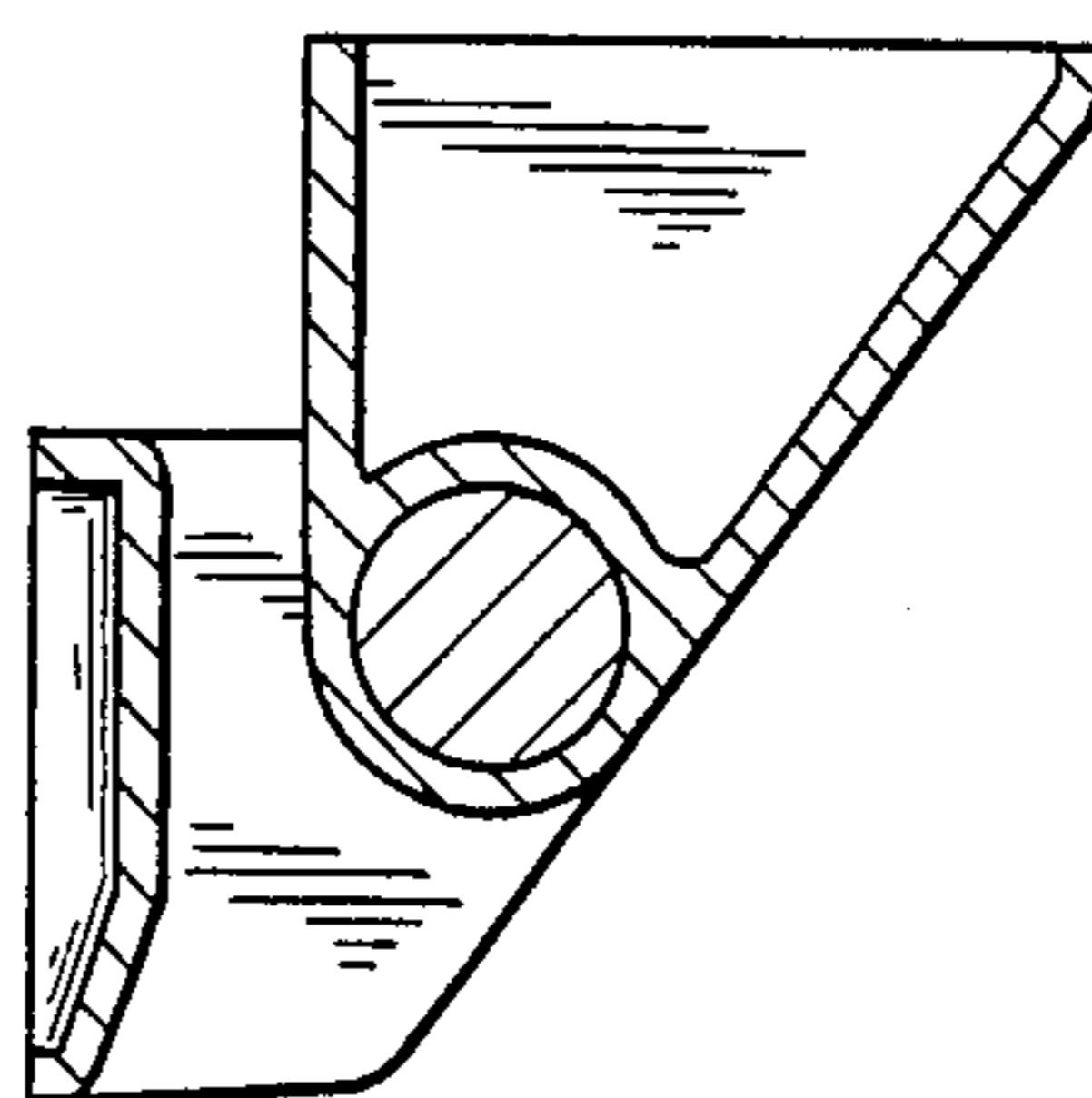


FIG. 9

