

[54] **CLOCK INDEXING DEVICE FOR A CABLE CONNECTOR**

[75] **Inventor: George Laurie, Fremont, Calif.**

[73] **Assignee: Icore International, Sunnyvale, Calif.**

[**] **Term: 14 Years**

[21] **Appl. No.: 699,601**

[22] **Filed: Feb. 8, 1985**

[52] **U.S. Cl. D8/29**

[58] **Field of Search D8/14, 71, 72, 29;
D13/24; 254/134.3 R, 389; 29/729, 741, 755,
271**

[56] **References Cited**

U.S. PATENT DOCUMENTS

D. 274,881 7/1984 Wilsey D8/29
4,601,497 7/1986 Bartholomew D13/24 X

Primary Examiner—Susan J. Lucas
Attorney, Agent, or Firm—Townsend and Townsend

[57] **CLAIM**

The ornamental design for a clock indexing device for a cable connector, as shown and described.

DESCRIPTION

FIG. 1 is a perspective view of a clock indexing device for a cable connector showing my new design; FIG. 2 is a side elevational view thereof; FIG. 3 is a top plan view thereof; and FIG. 4 is a bottom plan view thereof.

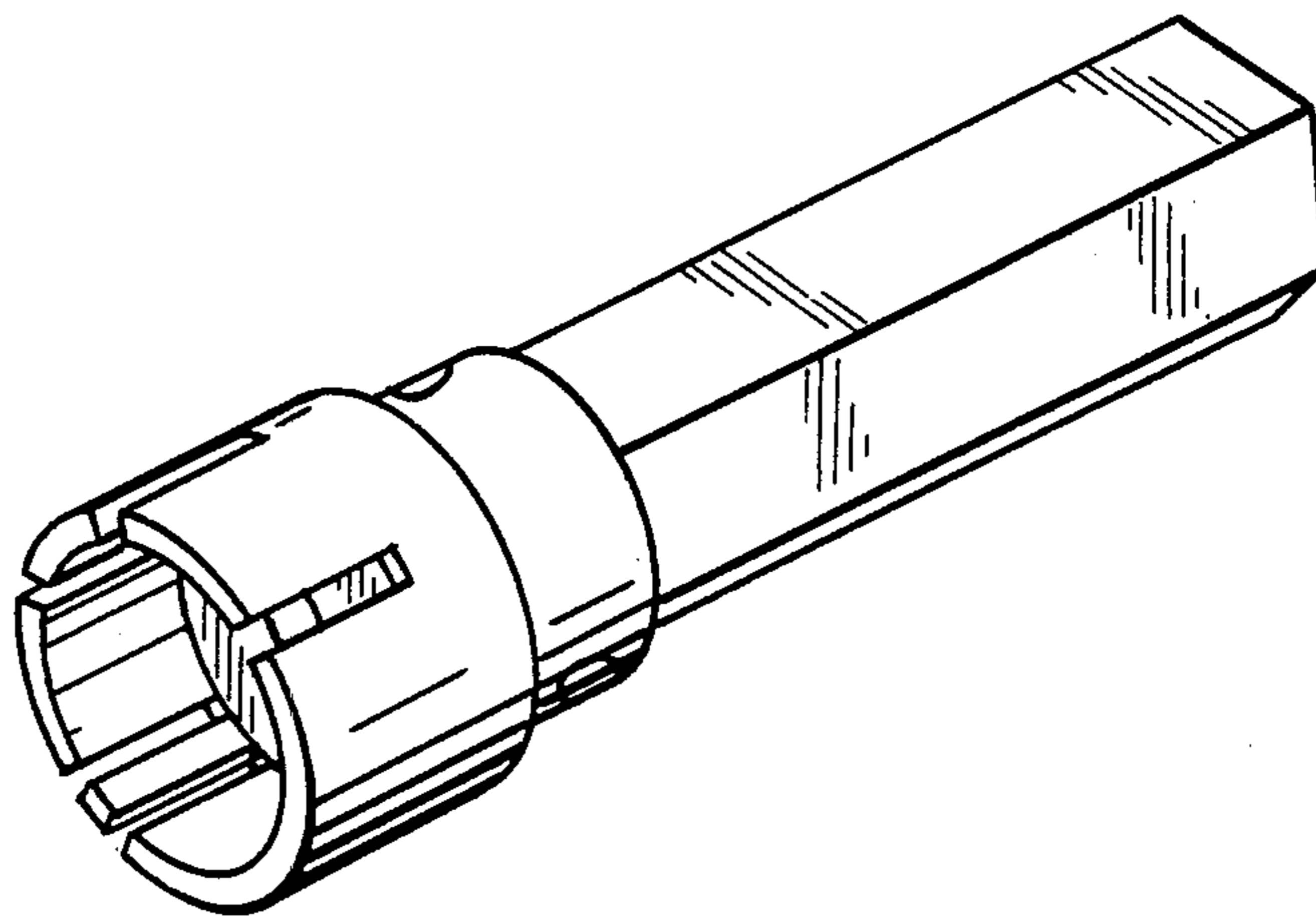


FIG.1

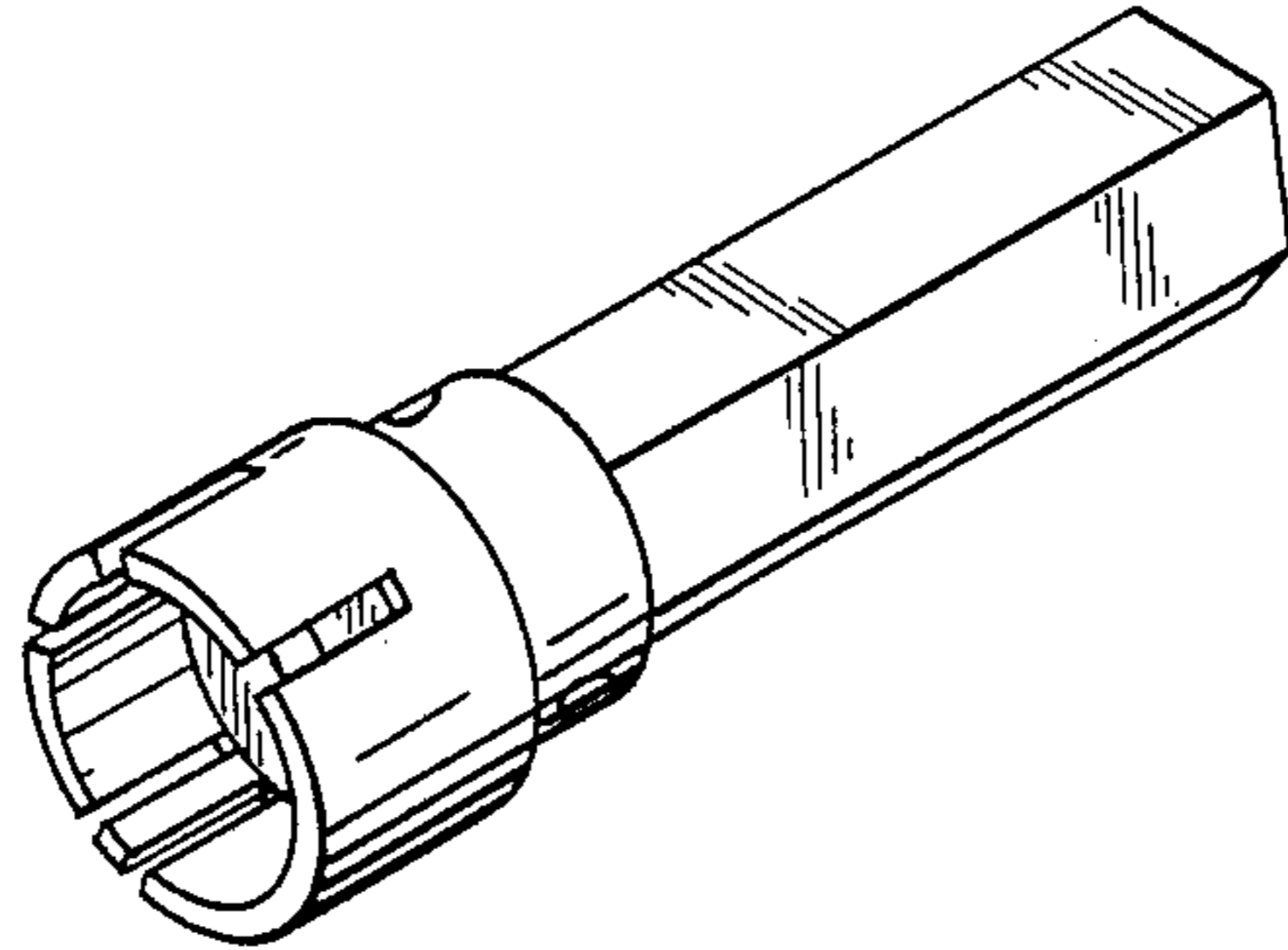


FIG.2

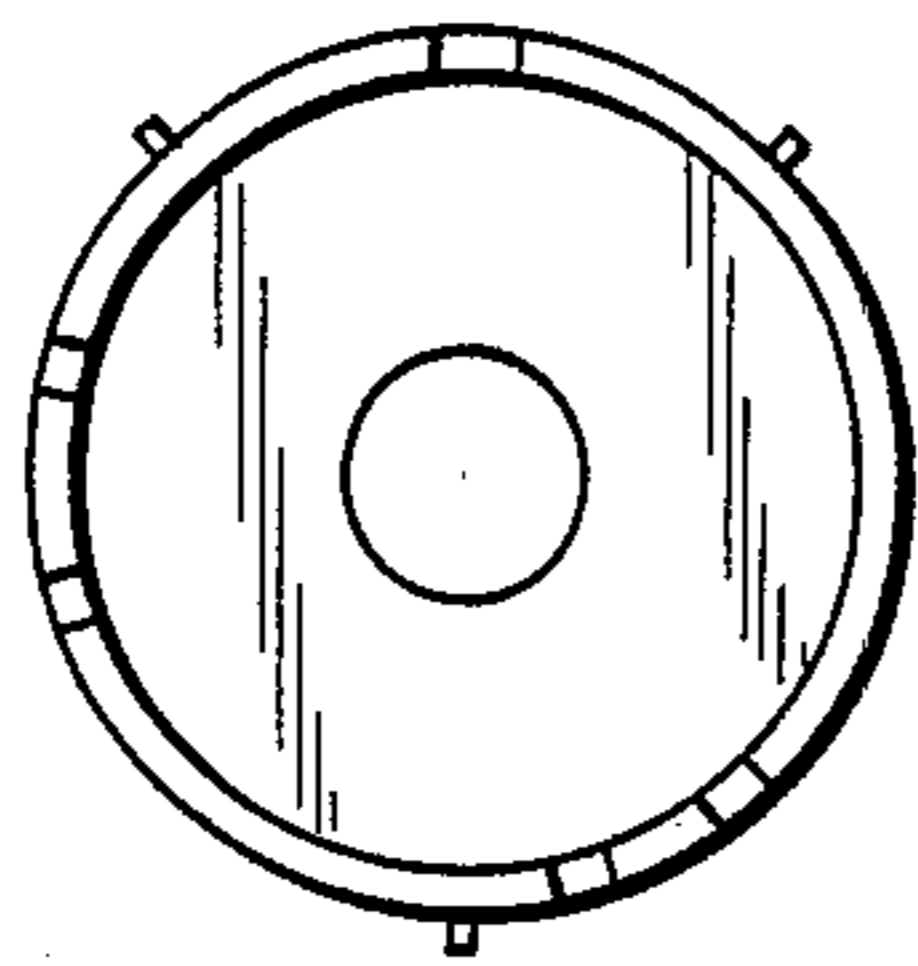


FIG.3

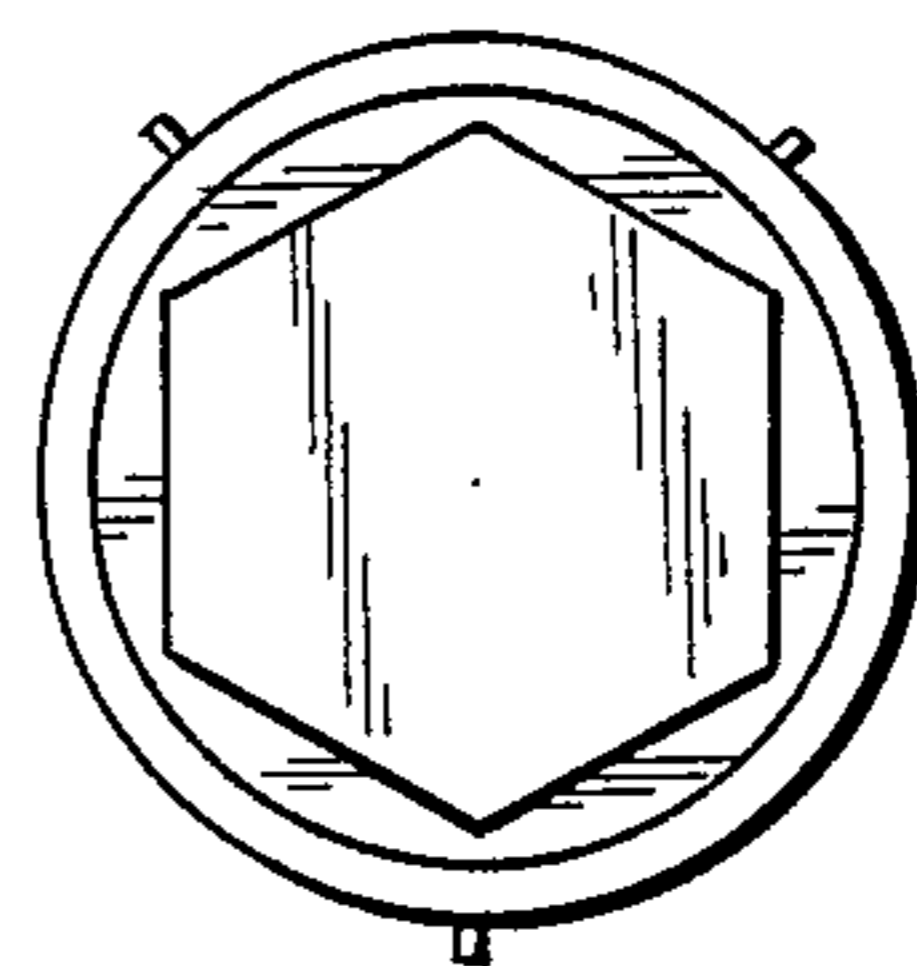


FIG.4

