

[54] **HANDLE FOR A RATCHET WRENCH**

1,411,365 4/1922 Mitchell ..... 81/63  
1,443,413 1/1923 Johnson ..... 81/58.3

[76] **Inventor: Mark D. Bradley, 308½ Broadway, Steeleville, Ill. 62288**

*Primary Examiner*—Wallace R. Burke  
*Assistant Examiner*—Clare E. Heflin  
*Attorney, Agent, or Firm*—Gravely, Lieder & Woodruff

[\*\*] **Term: 14 Years**

[21] **Appl. No.: 697,753**

[57] **CLAIM**

[22] **Filed: Feb. 4, 1985**

The ornamental design for a handle for a ratchet wrench, as shown and described.

[52] **U.S. Cl. .... D8/25; D8/107**

[58] **Field of Search .... D8/25, 107, 300, 21-29; 81/60-63.2, 489, 58.1, 58.3, 58.4, 119, 121.1**

**DESCRIPTION**

[56] **References Cited**

**U.S. PATENT DOCUMENTS**

D. 268,323 3/1983 Schaumloffel ..... D8/300 X  
566,229 8/1896 Schaefer ..... 81/60

FIG. 1 is a bottom plan view of the handle for a ratchet wrench showing my new design;

FIG. 2 is a front elevational view thereof, the rear view being identical;

FIG. 3 is a cross-sectional view thereof, taken along the line 3—3 in FIG. 2.

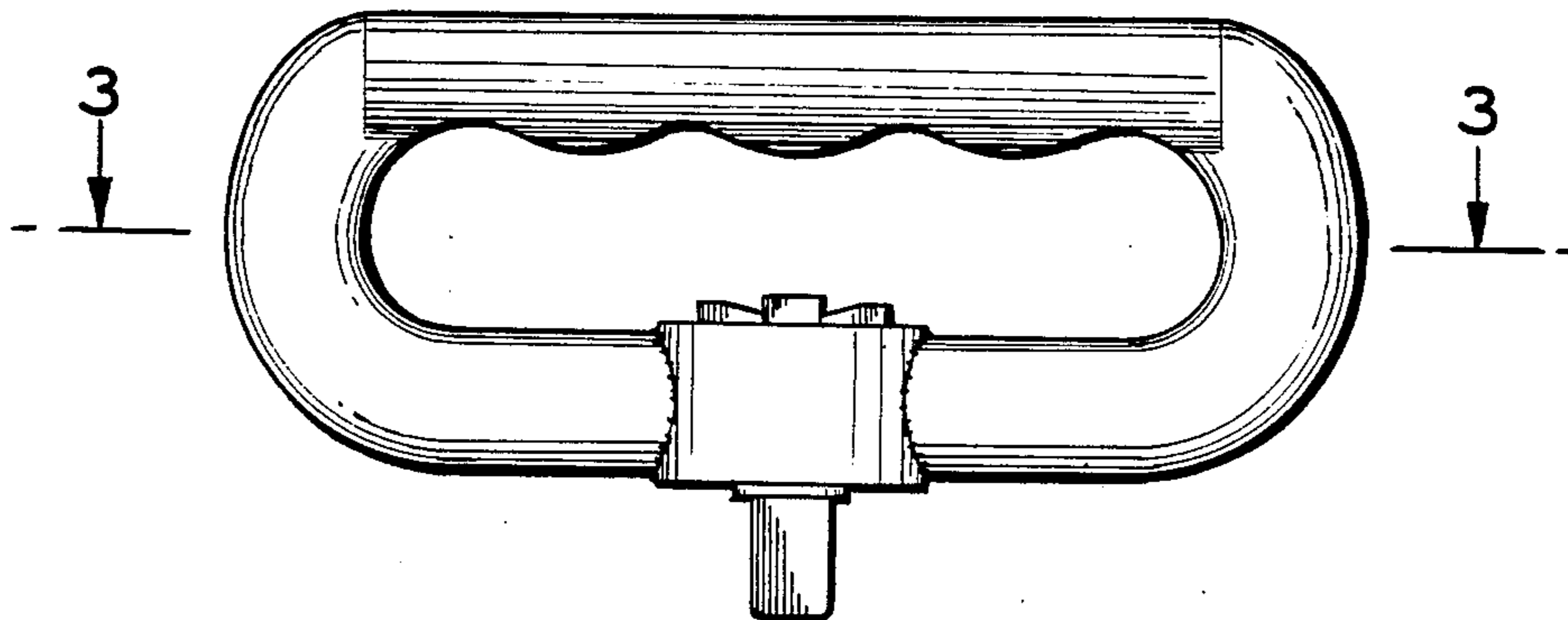


FIG. 1

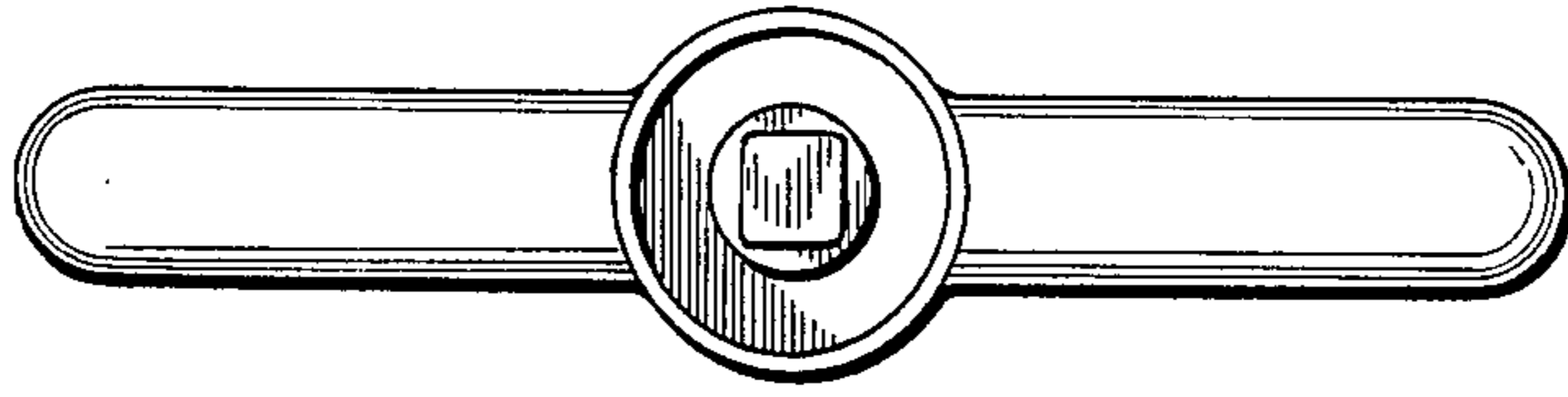


FIG. 2

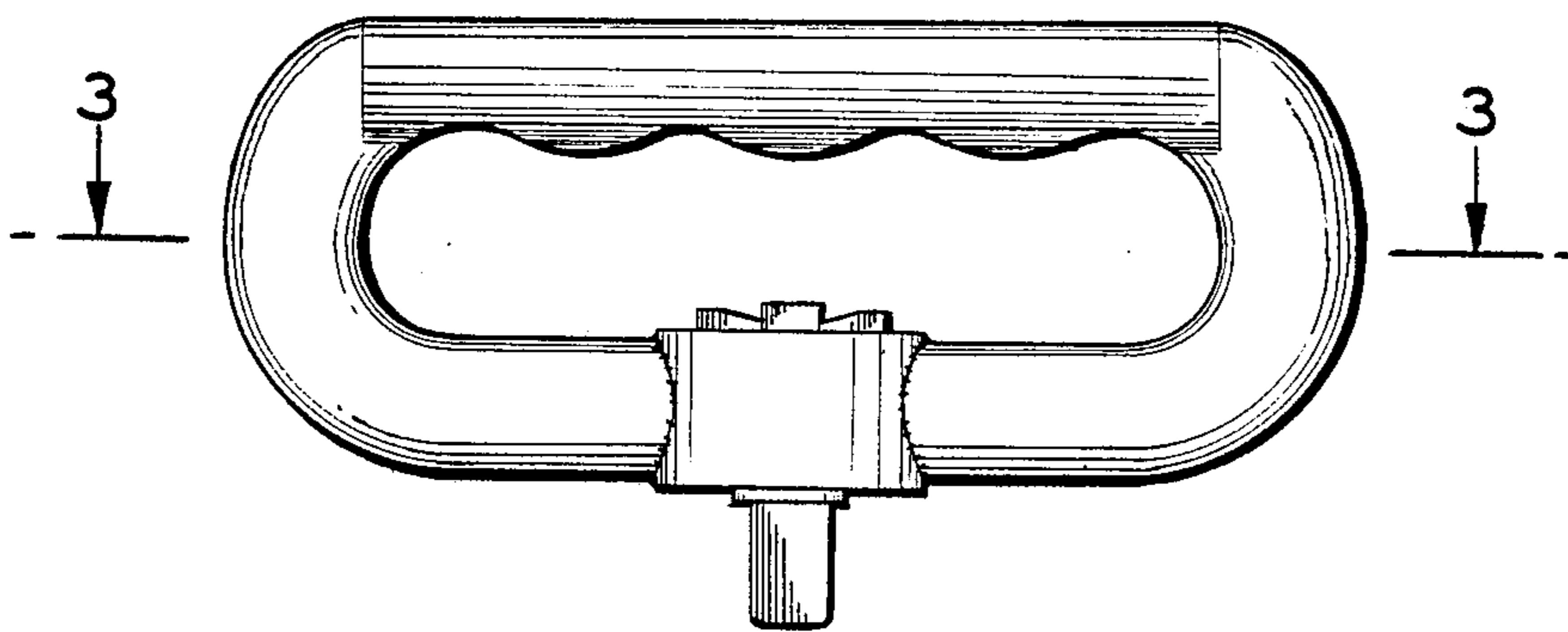


FIG. 3

