

[54] **RATCHET WRENCH**

[76] **Inventor: Larry A. Brainard, 1681 Main St.,
Cuyahoga Falls, Ohio 44221**

[**] **Term: 14 Years**

[21] **Appl. No.: 692,710**

[22] **Filed: Jan. 18, 1985**

[52] **U.S. Cl. D8/25**

[58] **Field of Search 81/60-63.2,
81/58.1, 58.3, 58.4; D8/25, 21, 22, 24, 29,
17-19, 21-29**

[56] **References Cited**

U.S. PATENT DOCUMENTS

3,533,315	10/1970	Maeda	D8/25 X
3,732,756	5/1973	Thomasian	81/62
4,004,666	1/1977	Hinojosa	D8/25 X
4,279,314	7/1981	Taub	81/61
4,300,413	11/1981	Garofalo	81/62
4,479,409	10/1984	Antonius	81/58.3

FOREIGN PATENT DOCUMENTS

2334471 7/1977 France 81/60

OTHER PUBLICATIONS

Catalog pp. 22, 28, 36 and 51 of catalog A81 published by The Cornwell Quality Tools Co., Wadsworth, Ohio.

Primary Examiner—Wallace R. Burke

Assistant Examiner—Clare E. Heflin

Attorney, Agent, or Firm—Renner, Kenner, Greive,
Bobak, Taylor & Weber

[57] **CLAIM**

The ornamental design for a ratchet wrench, as shown and described.

DESCRIPTION

FIG. 1 is a perspective view of a ratchet wrench showing my new design.

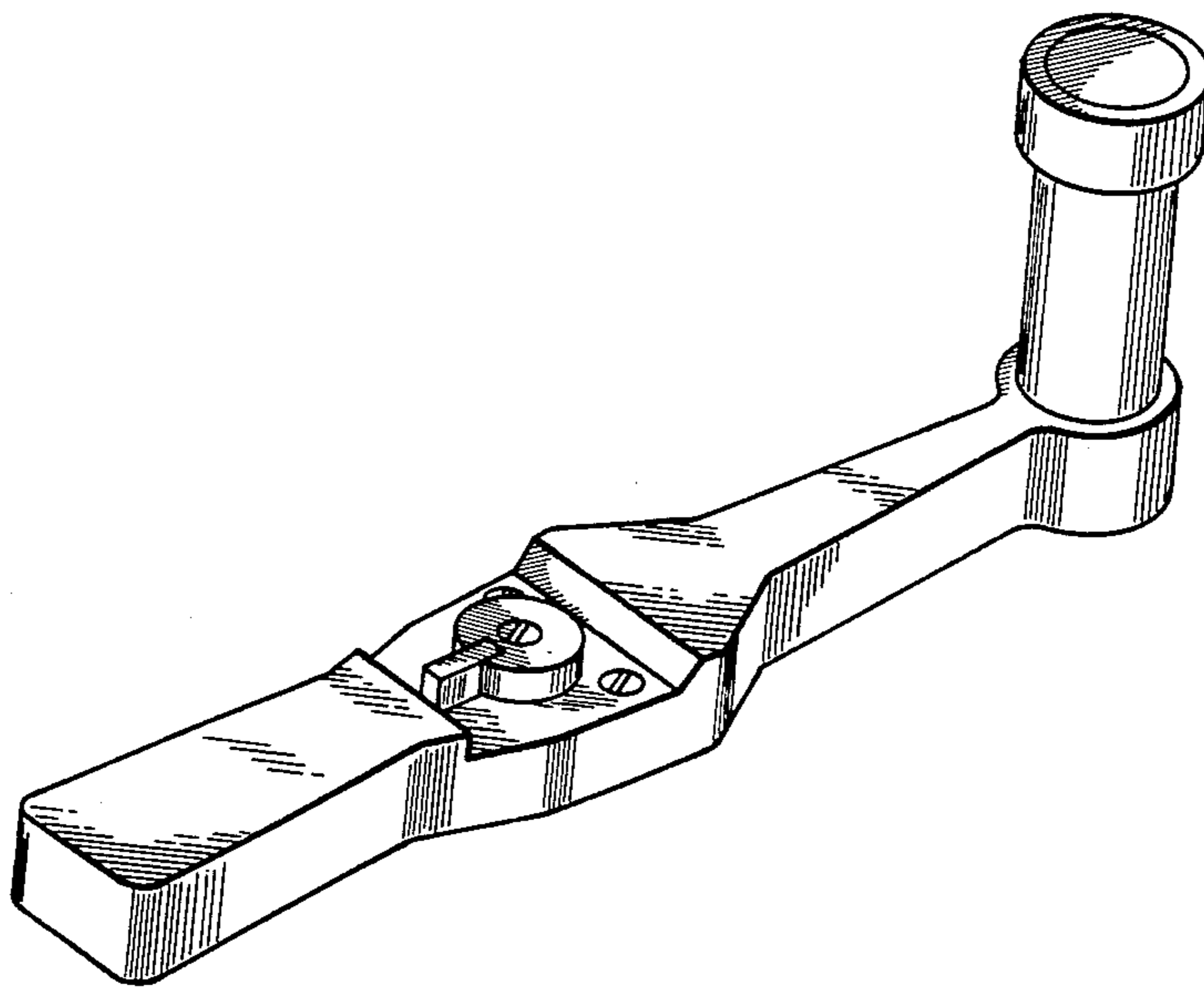
FIG. 2 is a top plan view thereof.

FIG. 3 is a left side elevational view thereof.

FIG. 4 is a rear elevational view thereof.

FIG. 5 is a front elevational view thereof.

FIG. 6 is a bottom plan view thereof.



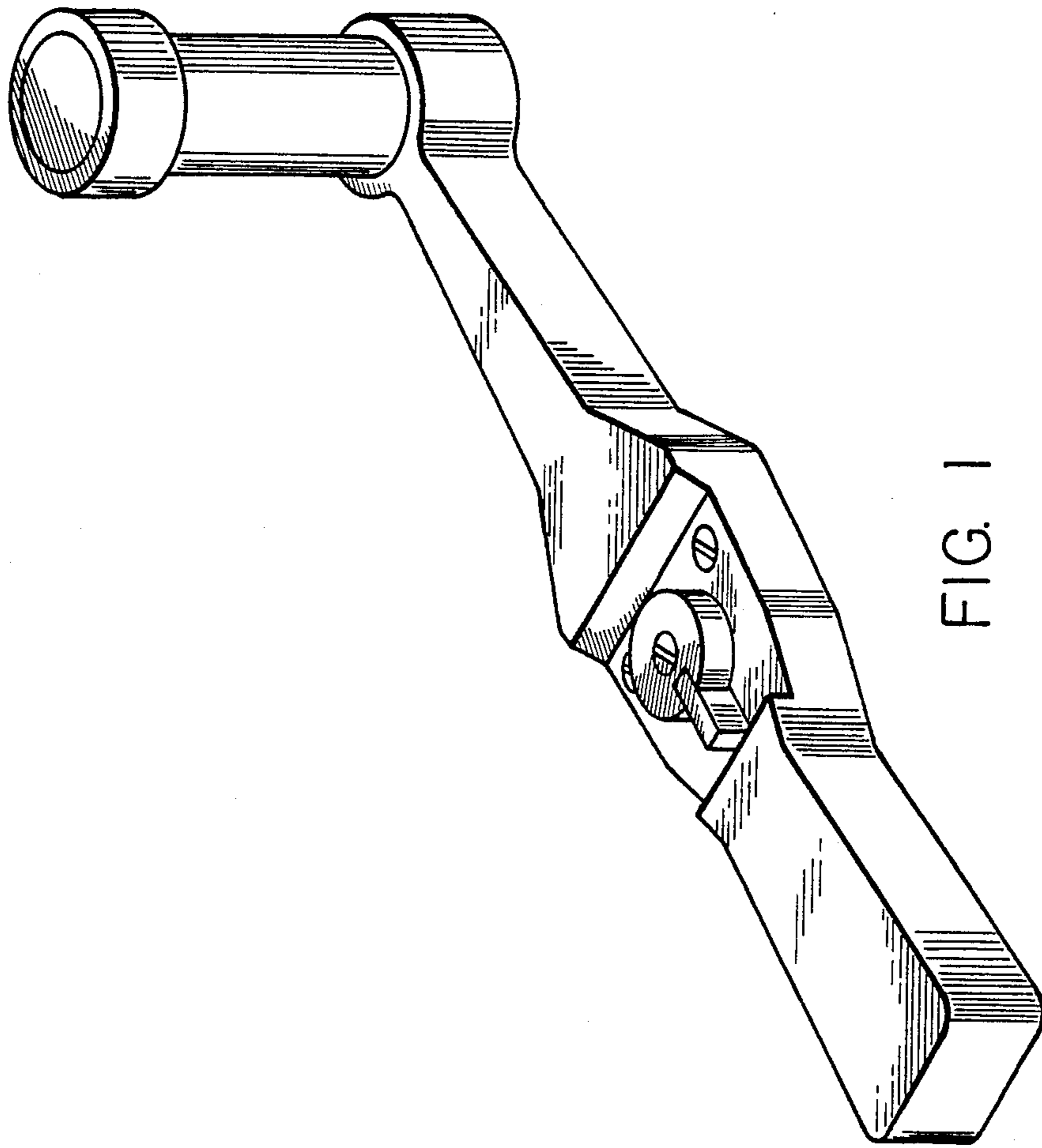


FIG. 1

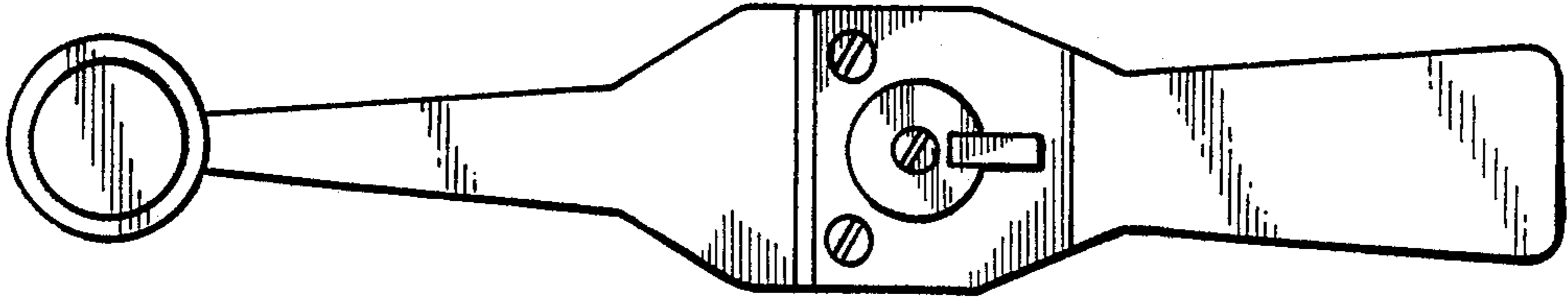


FIG. 2

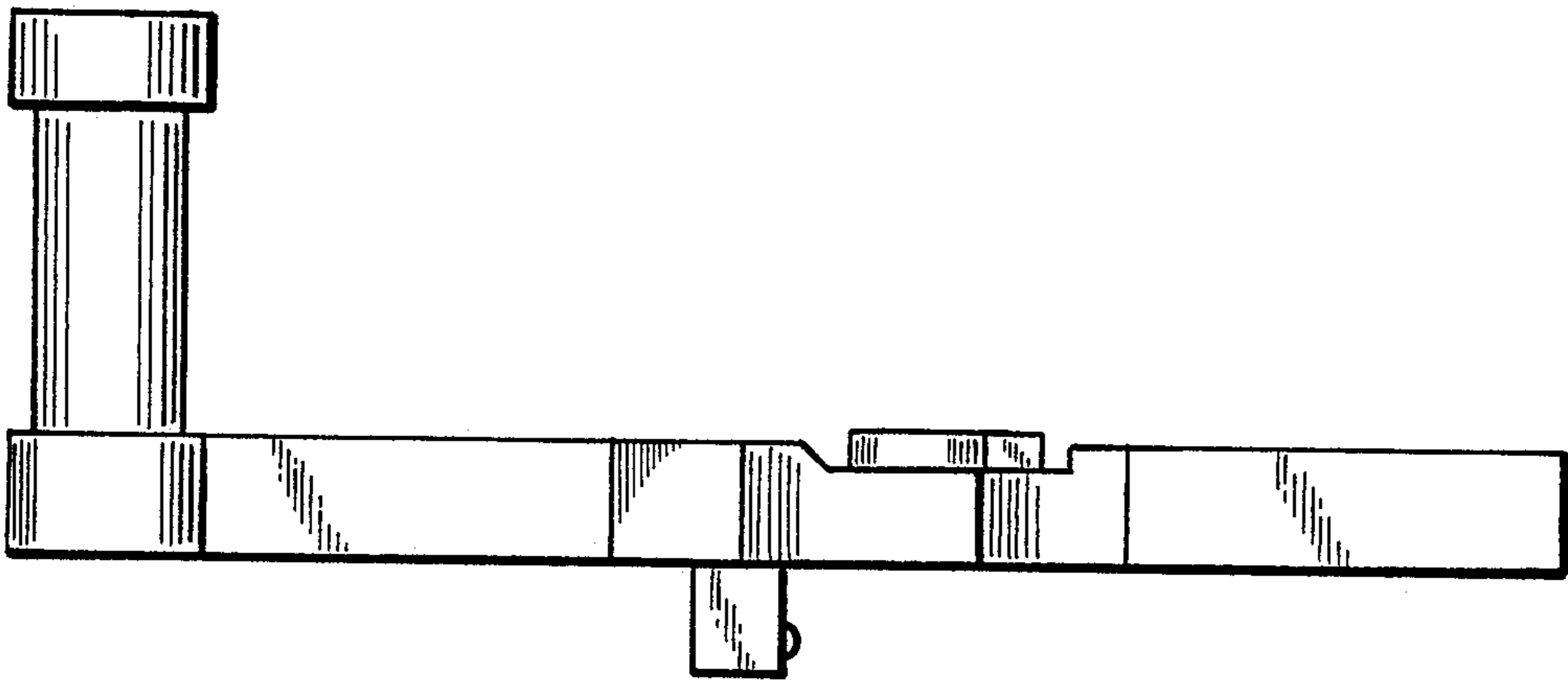


FIG. 3

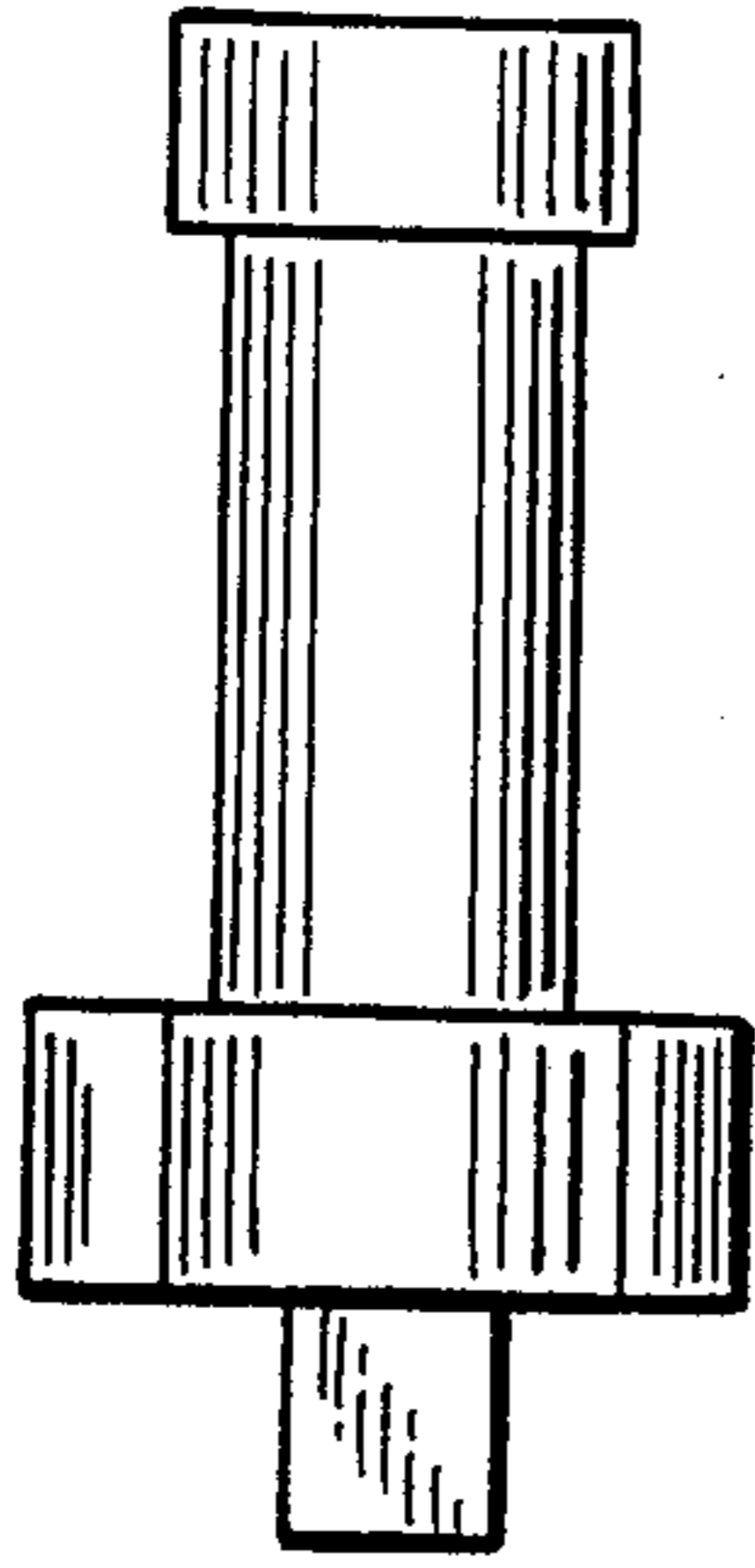


FIG. 4

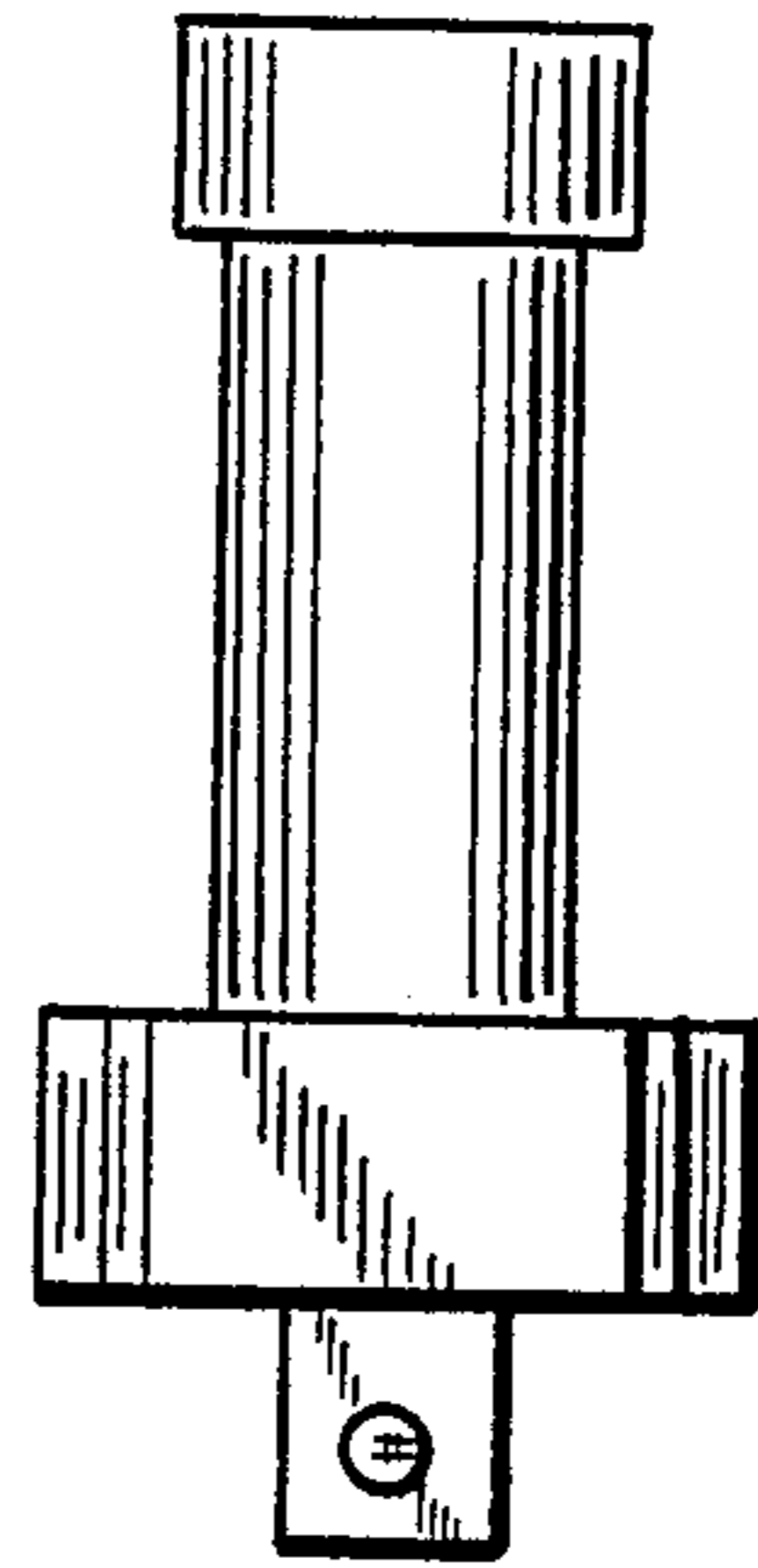


FIG. 5

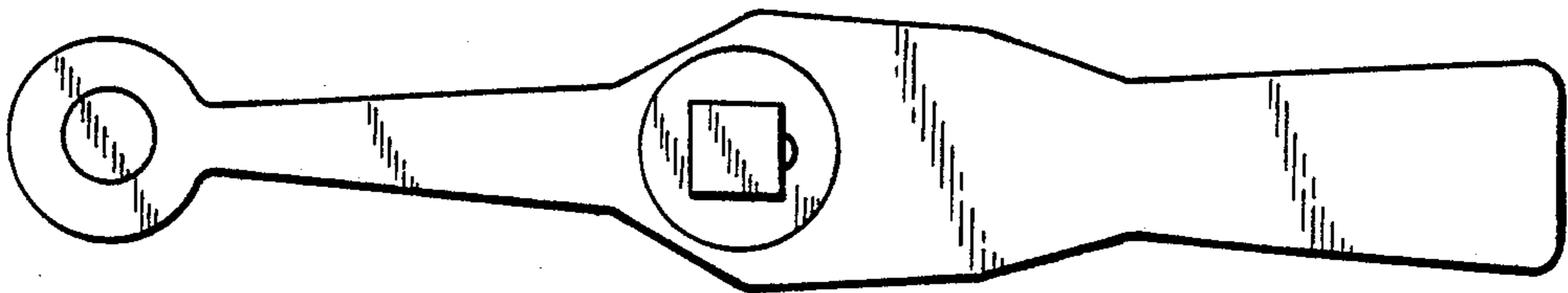


FIG. 6