

[54] PIPE WRENCH

[75] Inventor: Kiyoshi Watanabe, Sanjo, Japan

[73] Assignee: Top Kogyo Co., Ltd., Niigata, Japan

[**] Term: 14 Years

[21] Appl. No.: 776,445

[22] Filed: Sep. 9, 1985

[52] U.S. Cl. D8/22

[58] Field of Search D7/22, 23; 81/98, 99, 81/100, 113, 165, 166, 167, 168, 126, 176.3

[56] References Cited

U.S. PATENT DOCUMENTS

D. 202,576	10/1965	Bergman	D8/22
D. 271,274	11/1983	Tasato	D8/22
1,571,328	2/1926	Flanigan	81/126
2,069,842	2/1937	Nielsen	81/165

Primary Examiner—James M. Gandy

Attorney, Agent, or Firm—Felfe & Lynch

[57] CLAIM

The ornamental design for a pipe wrench, as shown and described.

DESCRIPTION

FIG. 1 is a front elevation view of the pipe wrench embodying my new design;
 FIG. 2 is a rear elevation view thereof;
 FIG. 3 is a top plan view thereof;
 FIG. 4 is a bottom plan view thereof;
 FIG. 5 is a right side elevation view thereof;
 FIG. 6 is a left side elevation view thereof;
 FIG. 7 is a cross sectional view taken along line 7—7 of FIG. 1;
 FIG. 8 is a cross sectional view taken along line 8—8 of FIG. 1;
 FIG. 9 is a cross sectional view taken along line 9—9 of FIG. 1; and
 FIG. 10 is a cross sectional view taken along line 10—10 of FIG. 1.

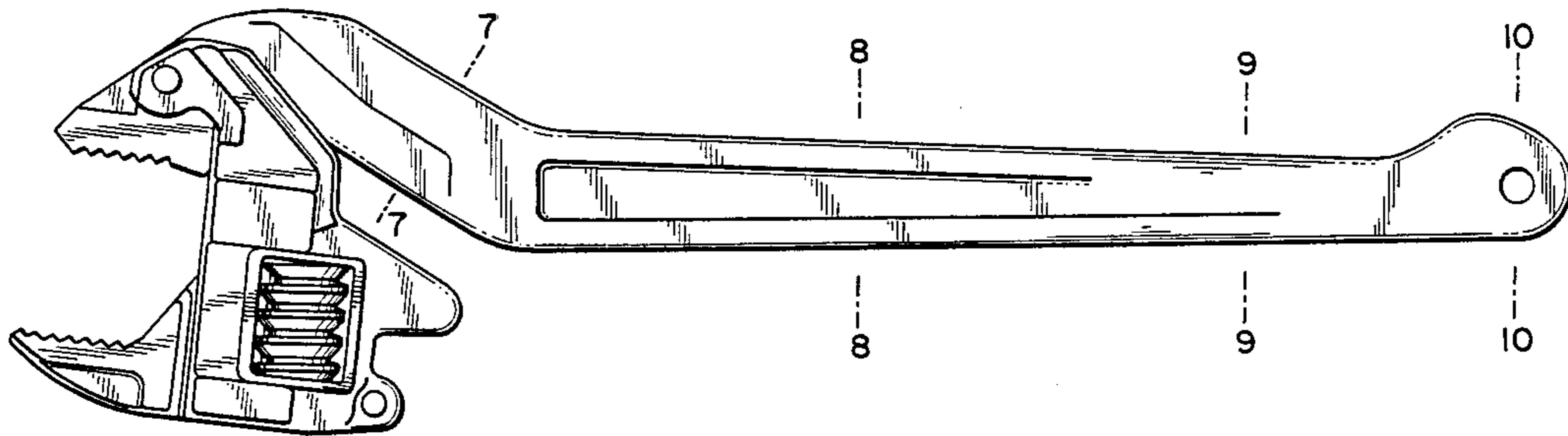


FIG. 1

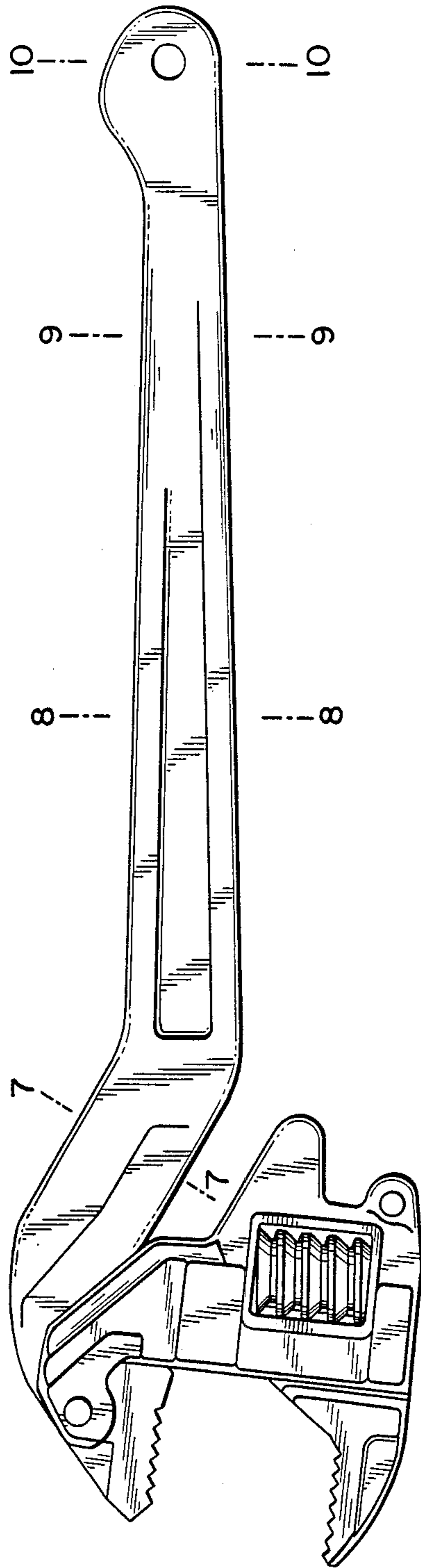


FIG. 2

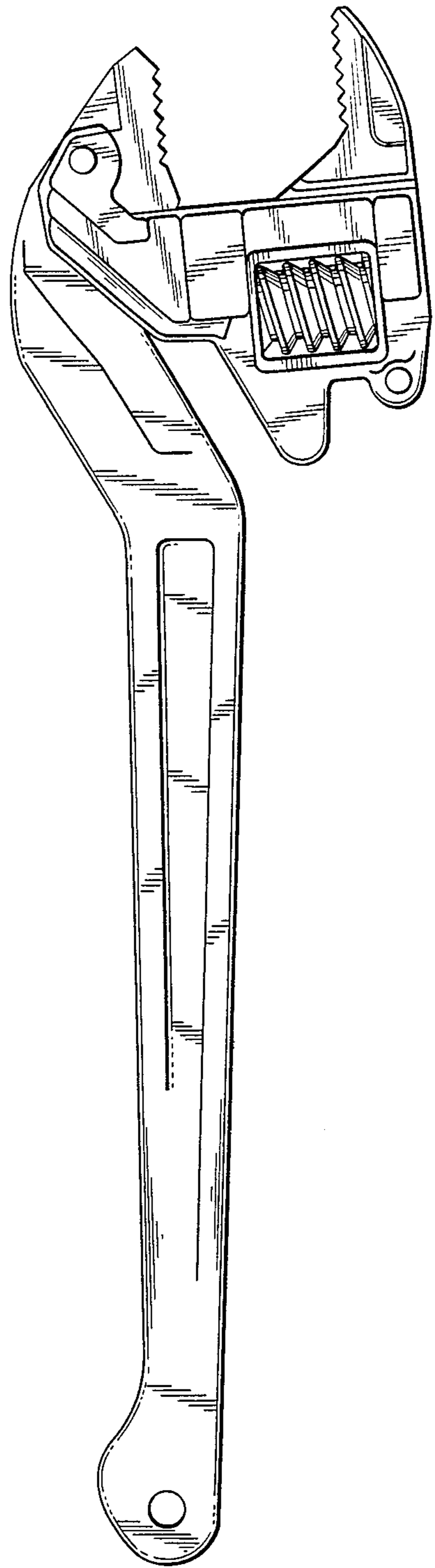


FIG. 3

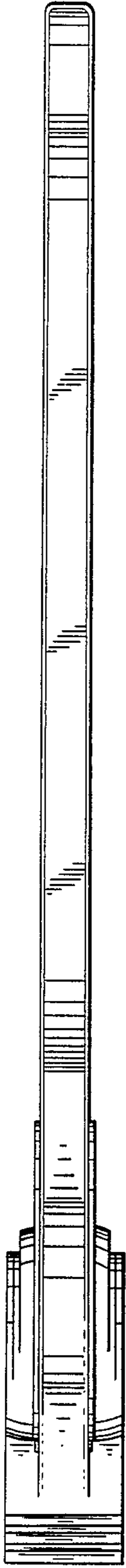


FIG. 4

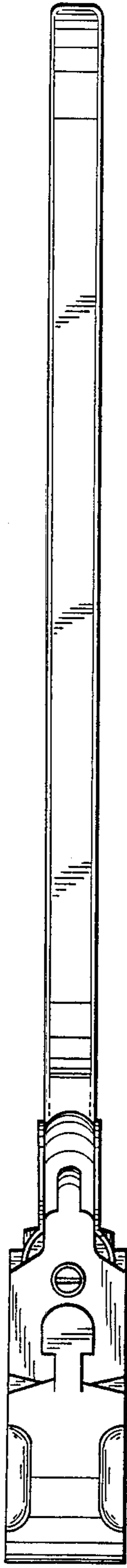


FIG. 5

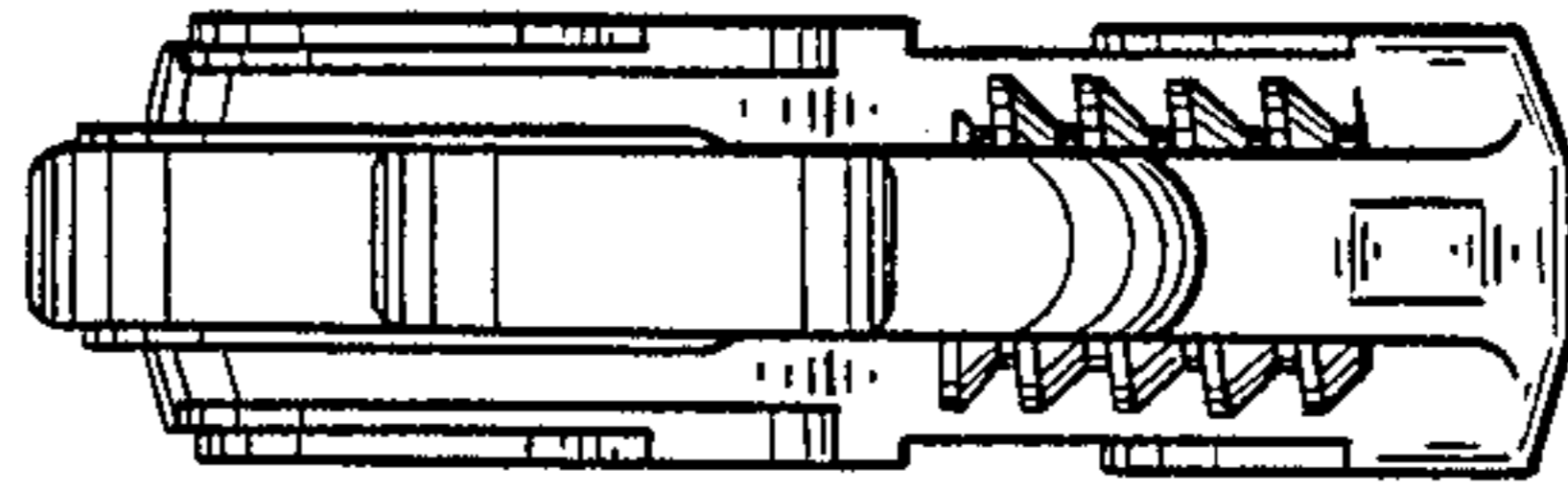


FIG. 6

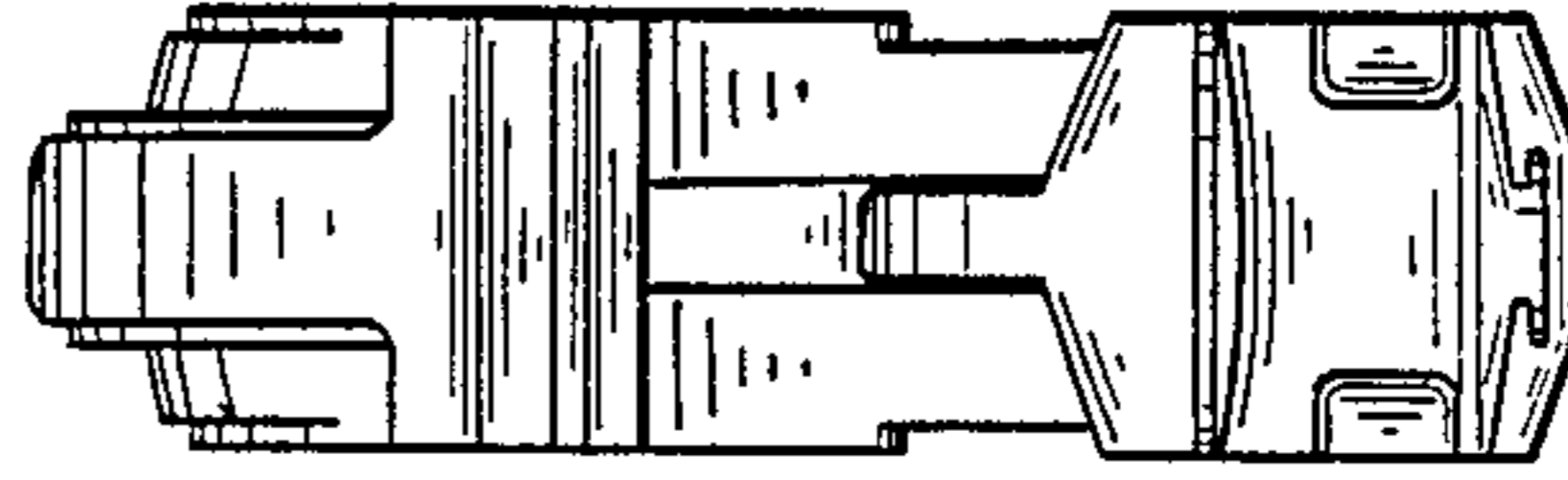


FIG. 7

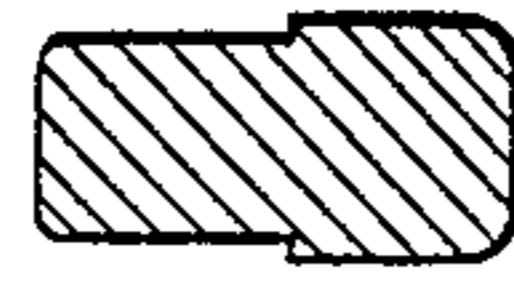


FIG. 8



FIG. 9



FIG. 10

