

United States Patent [19]

Madl

[11] Patent Number: **Des. 299,609**

[45] Date of Patent: **** Jan. 31, 1989**

[54] **WAFFLE BAKER**

[75] Inventor: **Alfred W. Madl, Glendale, Wis.**

[73] Assignee: **Sunbeam Corporation, Downers Grove, Ill.**

[**] Term: **14 Years**

[21] Appl. No.: **925,448**

[22] Filed: **Oct. 31, 1986**

[52] U.S. Cl. **D7/352**

[58] Field of Search **D7/352, 353, 323, 327, D7/410, 357**

[56] **References Cited**

U.S. PATENT DOCUMENTS

D. 250,447 12/1978 Levin D7/352

D. 253,218 10/1979 Johnson D7/352 X
D.278,305 4/1985 Madl et al. D7/352

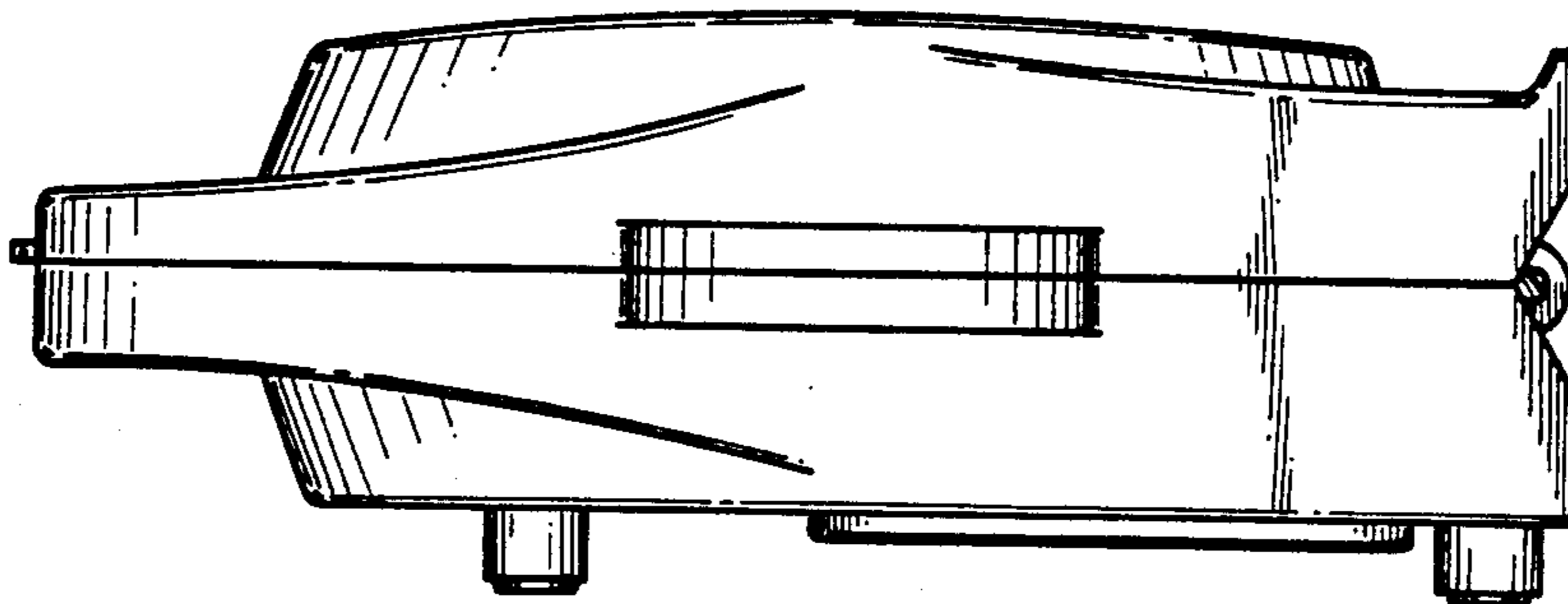
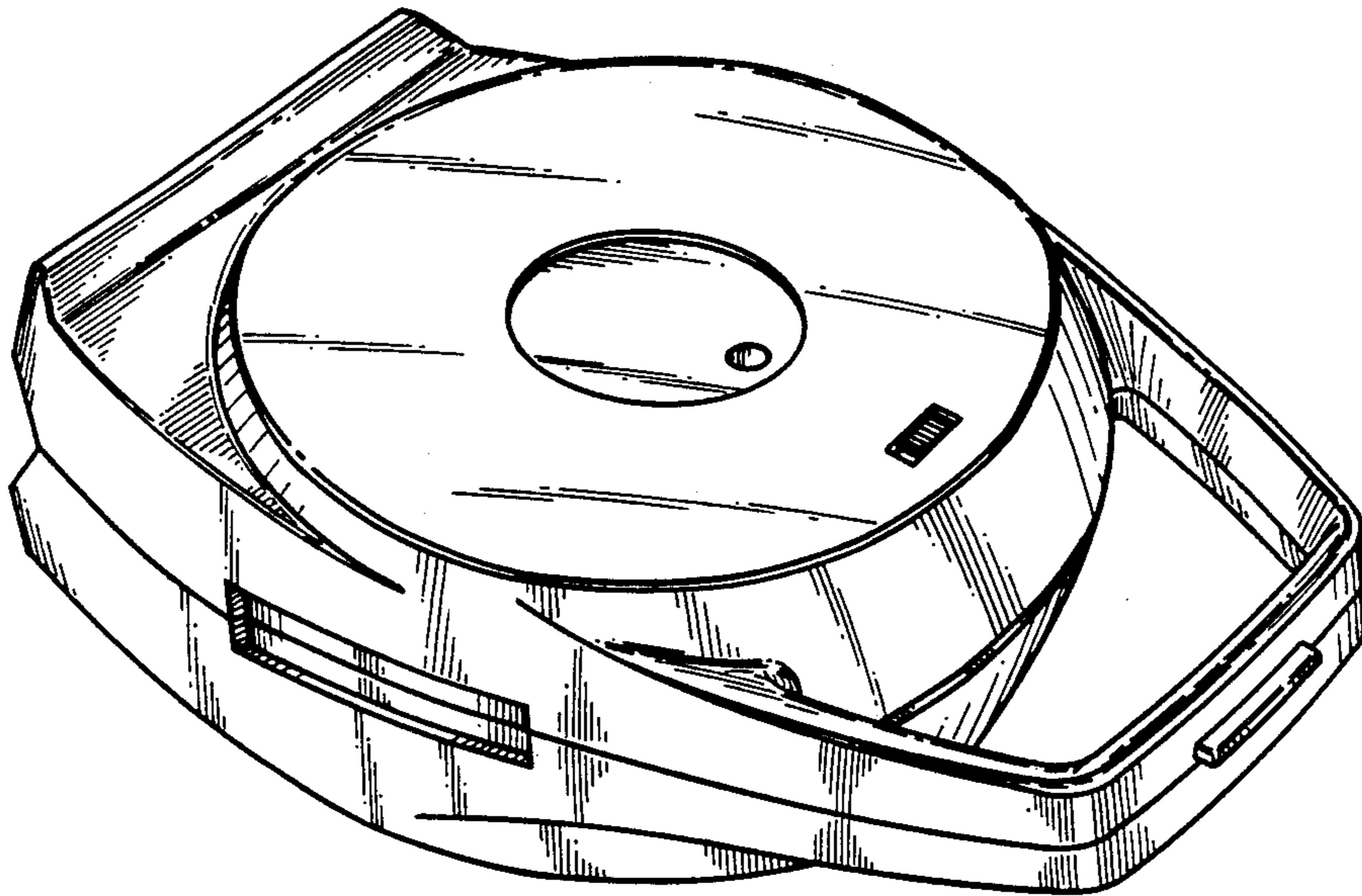
*Primary Examiner—Winifred E. Herrmann
Attorney, Agent, or Firm—Neil M. Rose*

[57] CLAIM

The ornamental design for a waffle baker, as shown and described.

DESCRIPTION

FIG. 1 is a front, left side perspective view from above of a waffle baker embodying my design;
FIG. 2 is a top plan view thereof;
FIG. 3 is a bottom plan view thereof;
FIG. 4 is a left side elevational view thereof;
FIG. 5 is a right side elevational view thereof;
FIG. 6 is a front elevational view thereof; and
FIG. 7 is a rear elevational view thereof.



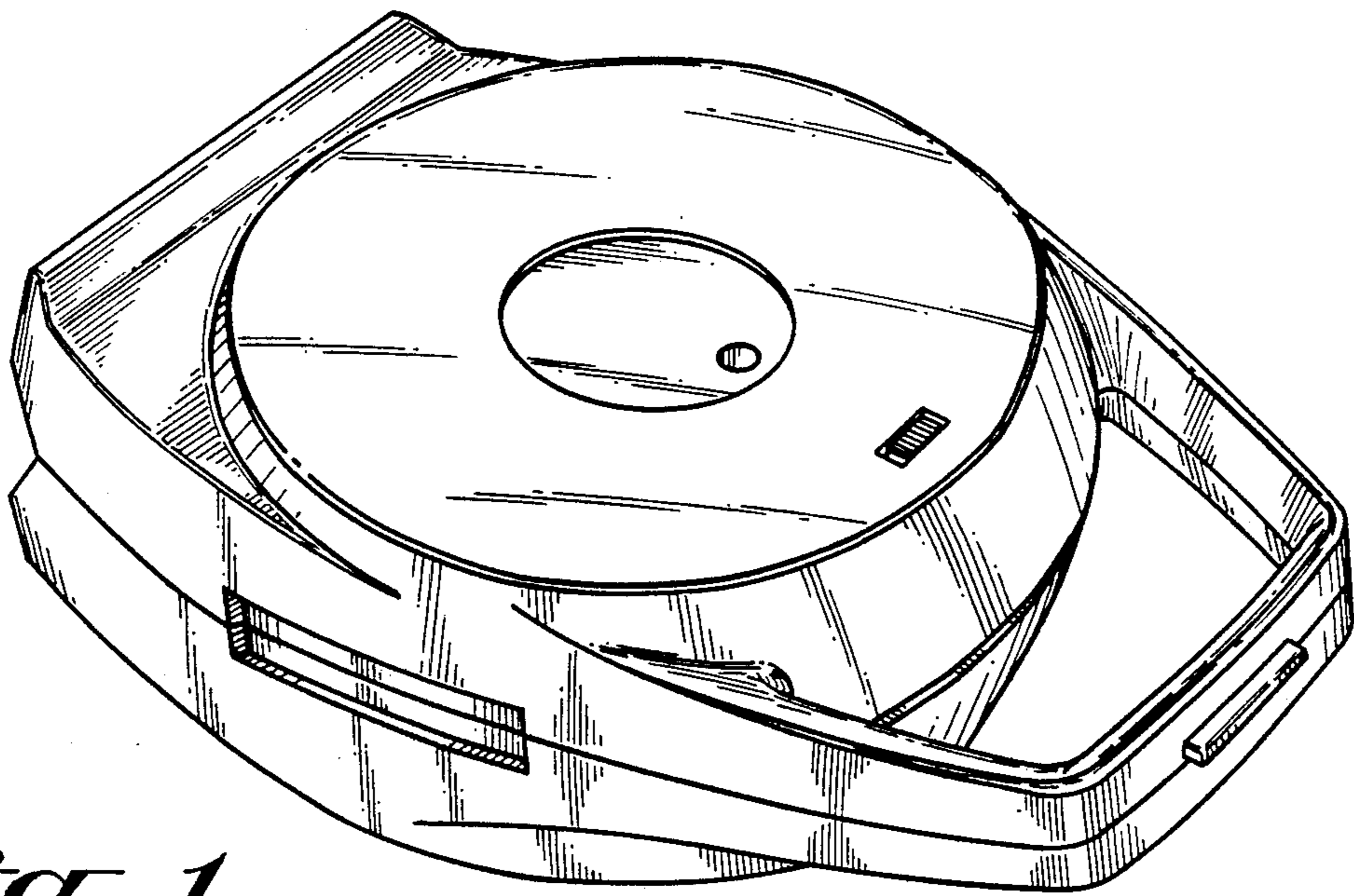


Fig. 1

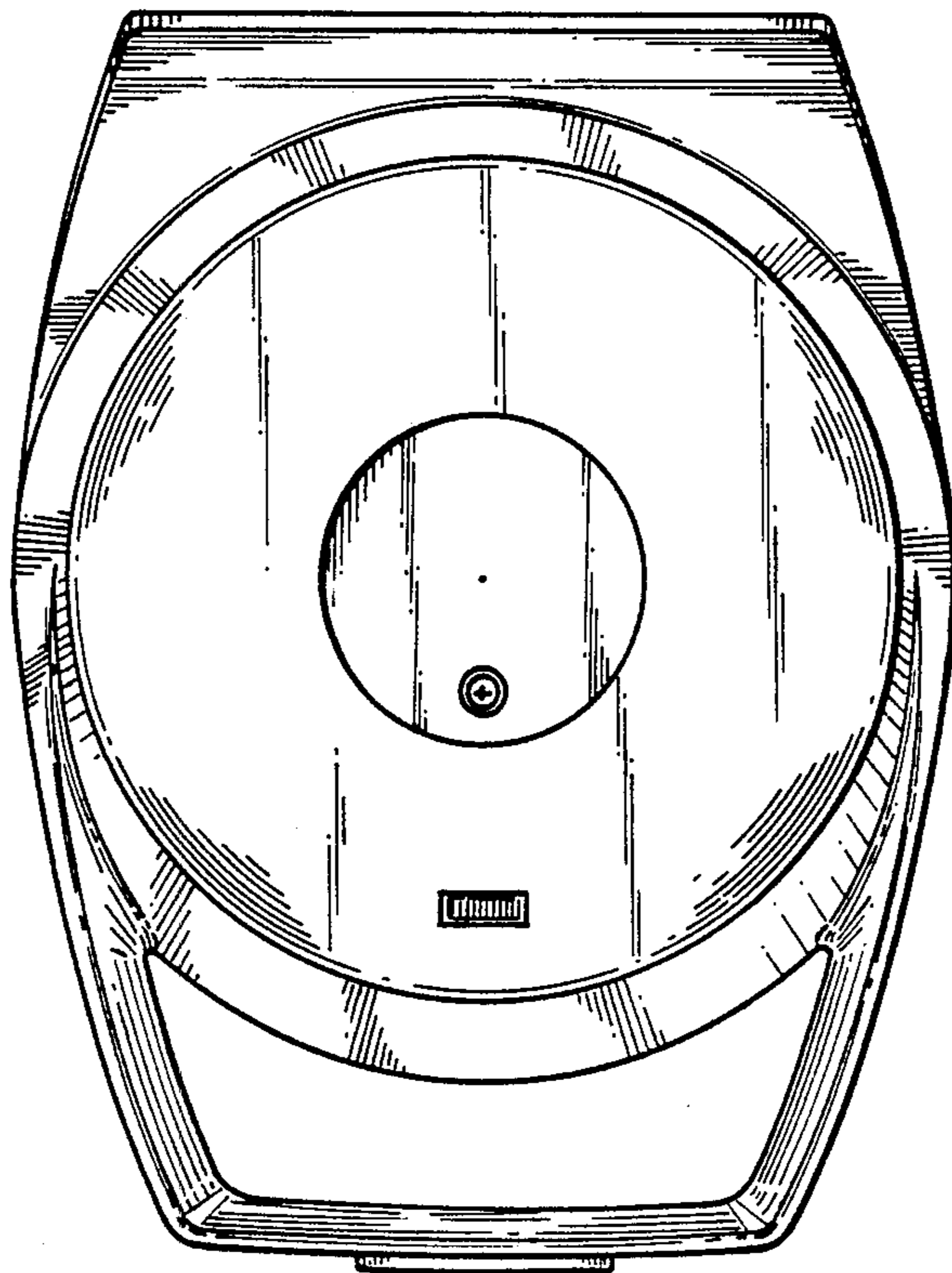


Fig. 2

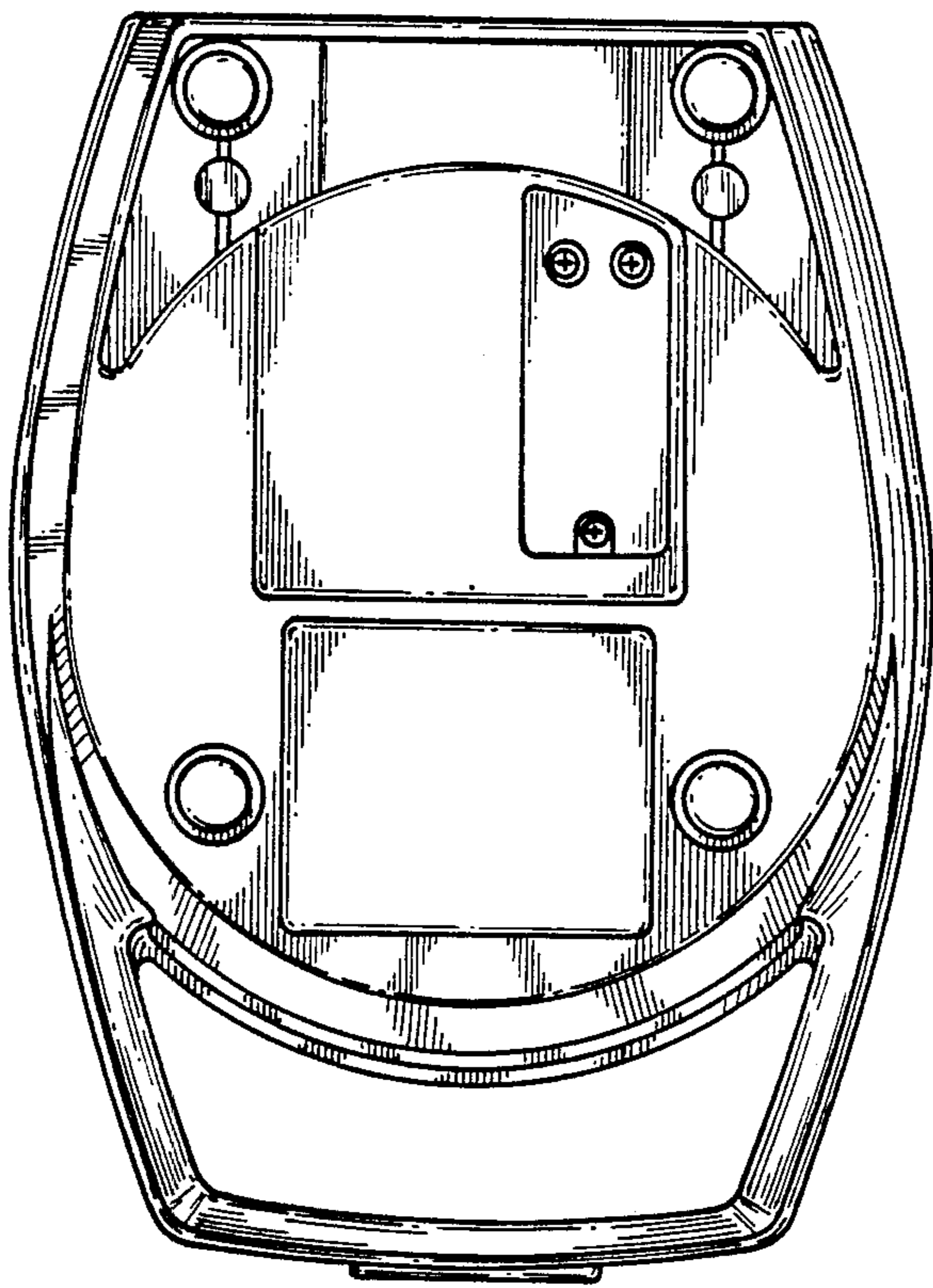


Fig. 3

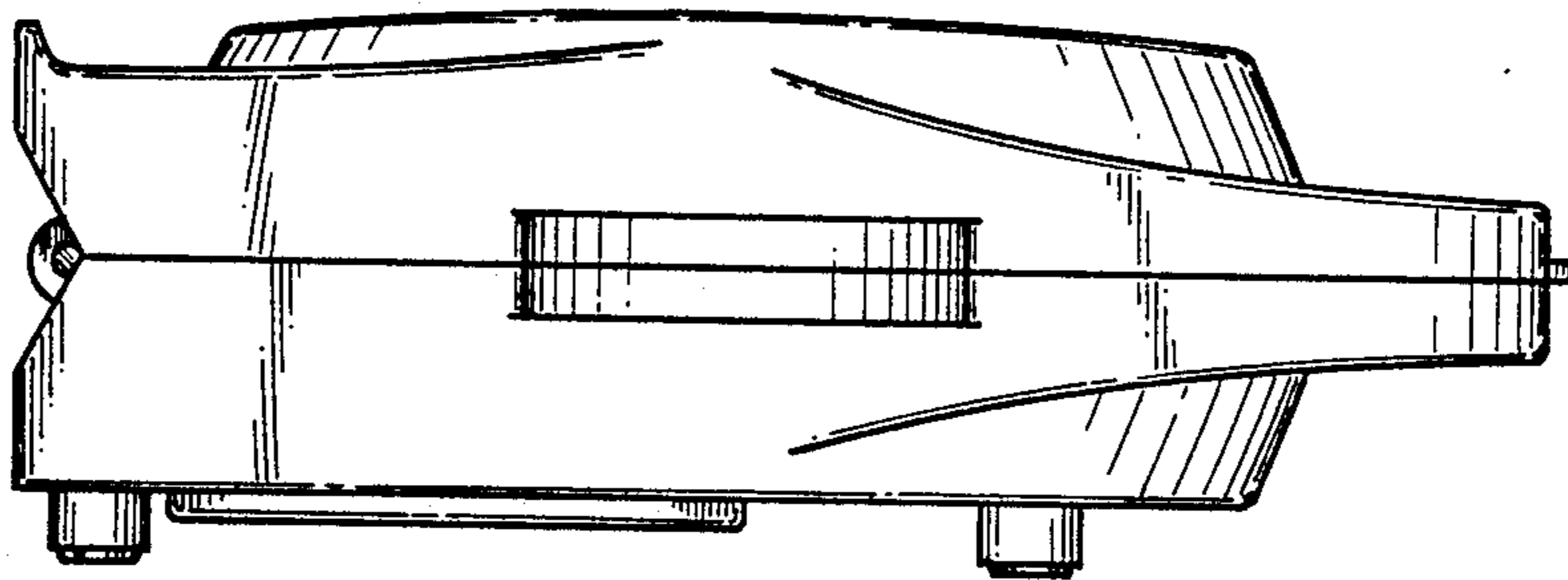


Fig. 4

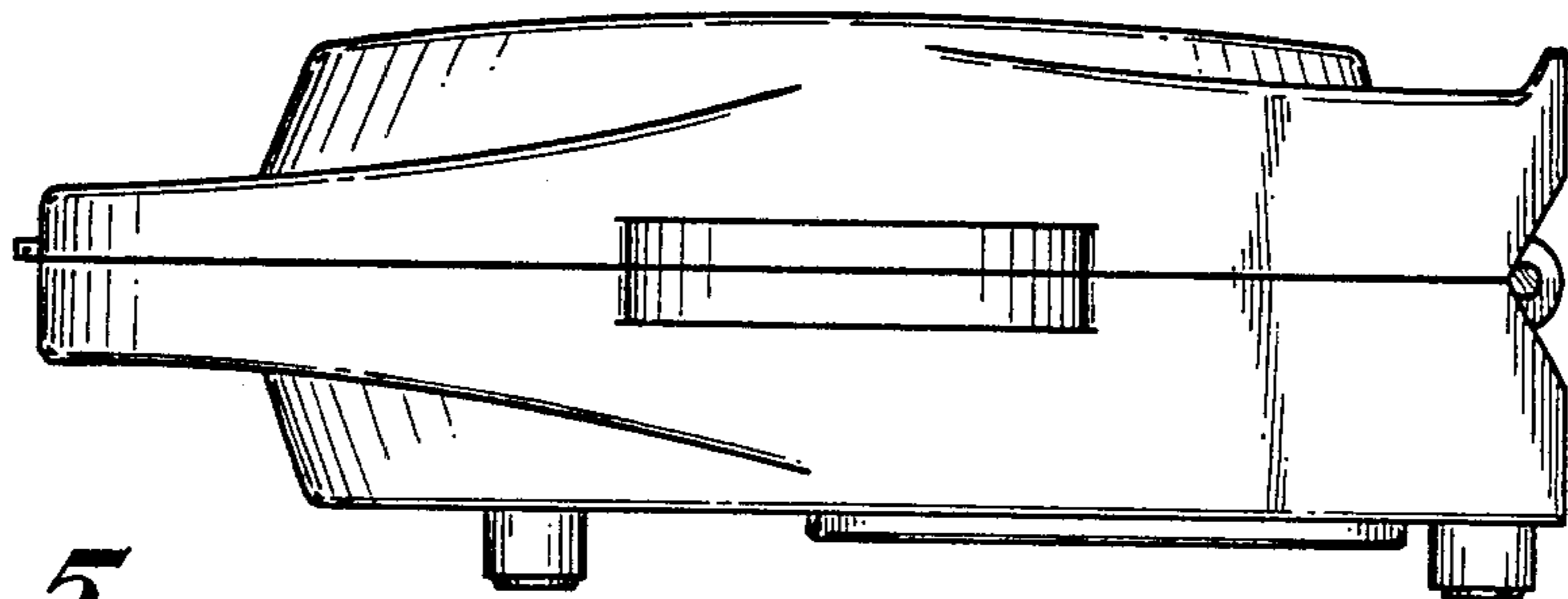


Fig. 5

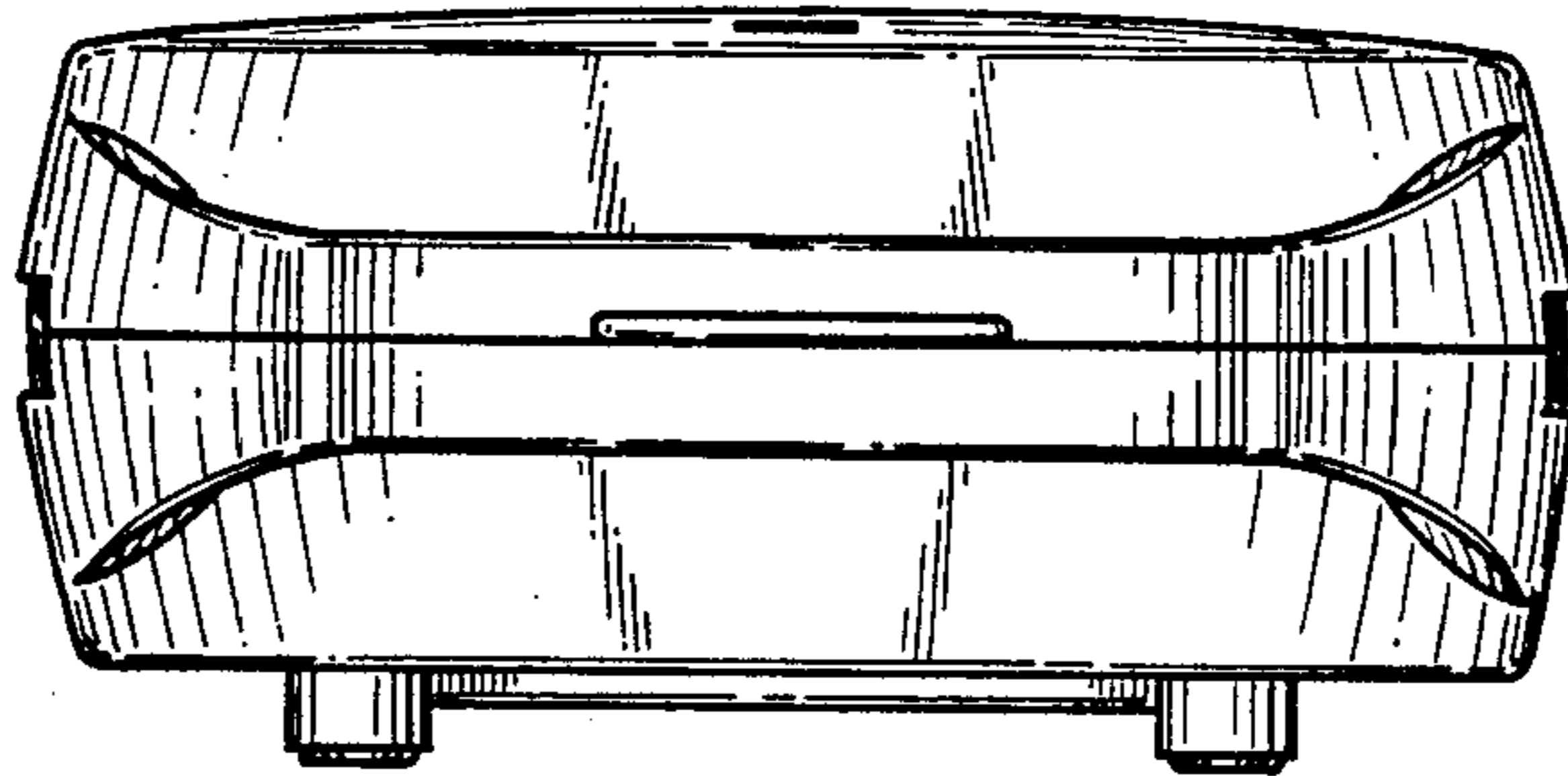


Fig. 6

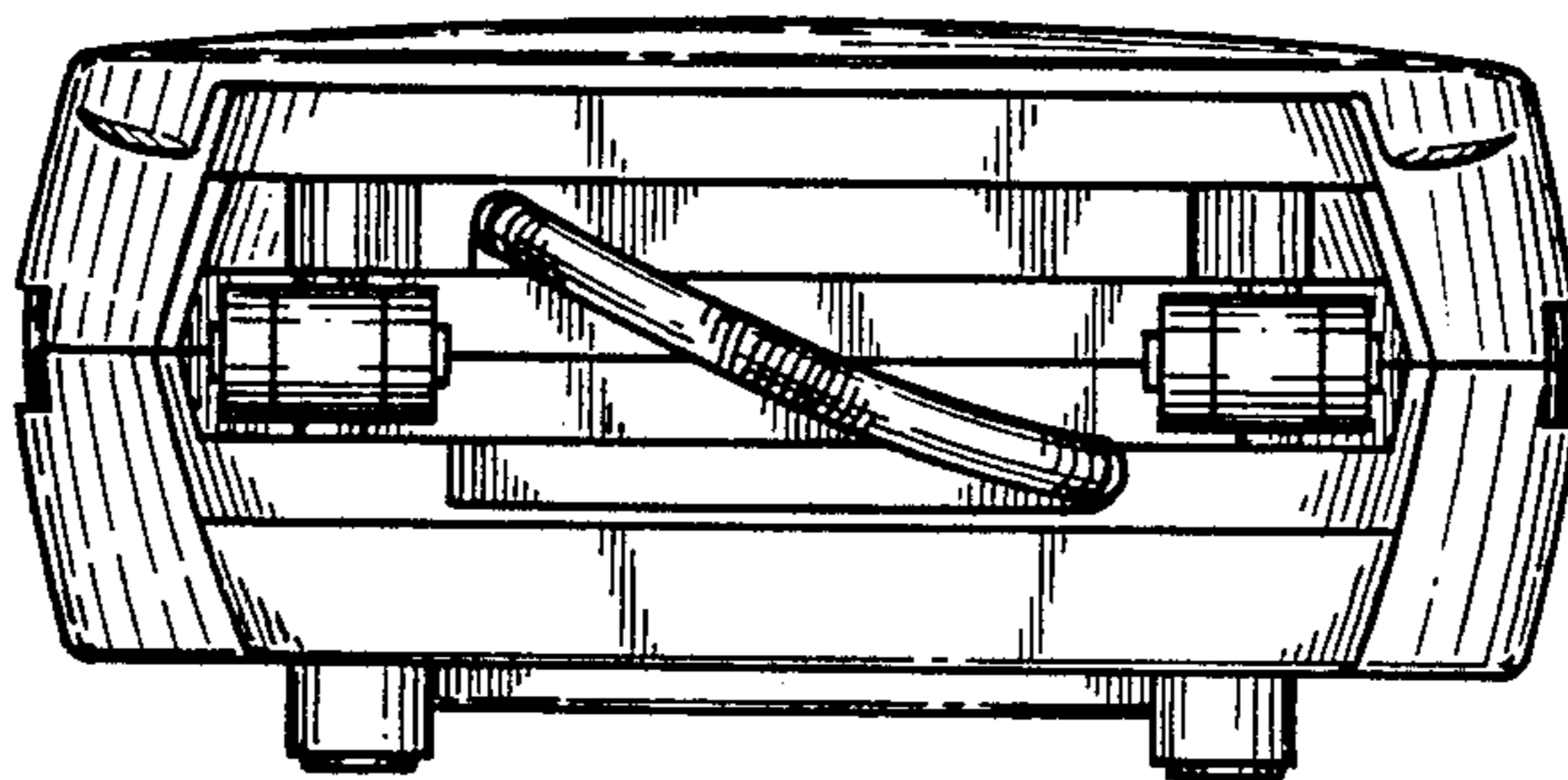


Fig. 7