

[54] **COFFEEMAKER**

[75] **Inventor:** Michael Knöchner, Offenbach am Main, Fed. Rep. of Germany

[73] **Assignee:** Rowenta-Werke GmbH, Fed. Rep. of Germany

[**] **Term:** 14 Years

[21] **Appl. No.:** 806,555

[22] **Filed:** Nov. 25, 1985

[30] **Foreign Application Priority Data**

May 29, 1985 [DE] Fed. Rep. of Germany 5 MR 10599

[52] **U.S. Cl.** D7/309; D7/310

[58] **Field of Search** D7/309, 310, 300, 312, D7/305, 397, 398, 399, 308

[56] **References Cited**

U.S. PATENT DOCUMENTS

D. 248,721 8/1978 Sato et al. D7/309

D. 250,688 1/1979 Felske et al. D7/309
D. 291,525 8/1987 Classen D7/309

OTHER PUBLICATIONS

Form 96, IV 1981/82, p. 80, "Rowenta Filtermatic" Coffeemaker shown.

Schoner Wohnen, Dec. 1979, p. 198, Coffeemachine at bottom right.

Primary Examiner—Winifred E. Herrmann

[57] **CLAIM**

The ornamental design for a coffeemaker, as shown.

DESCRIPTION

FIG. 1 is a front perspective view of a coffeemaker showing my new design;

FIG. 2 is a rear perspective thereof;

FIG. 3 is a right side elevational view thereof;

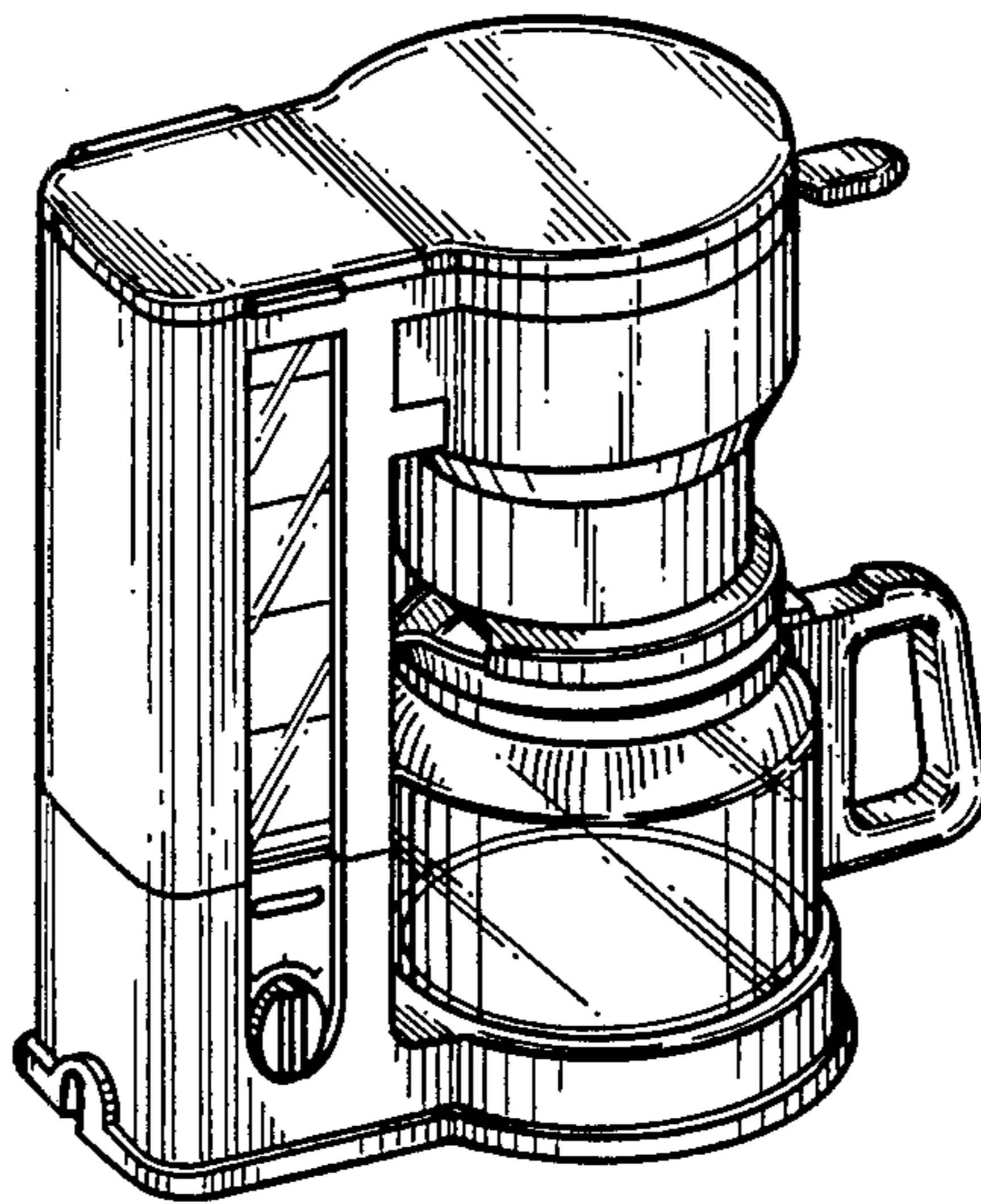
FIG. 4 is a left side elevational view thereof;

FIG. 5 is a top plan view thereof;

FIG. 6 is a front elevational view thereof;

FIG. 7 is a rear elevational view thereof; and

FIG. 8 is a bottom plan view thereof.



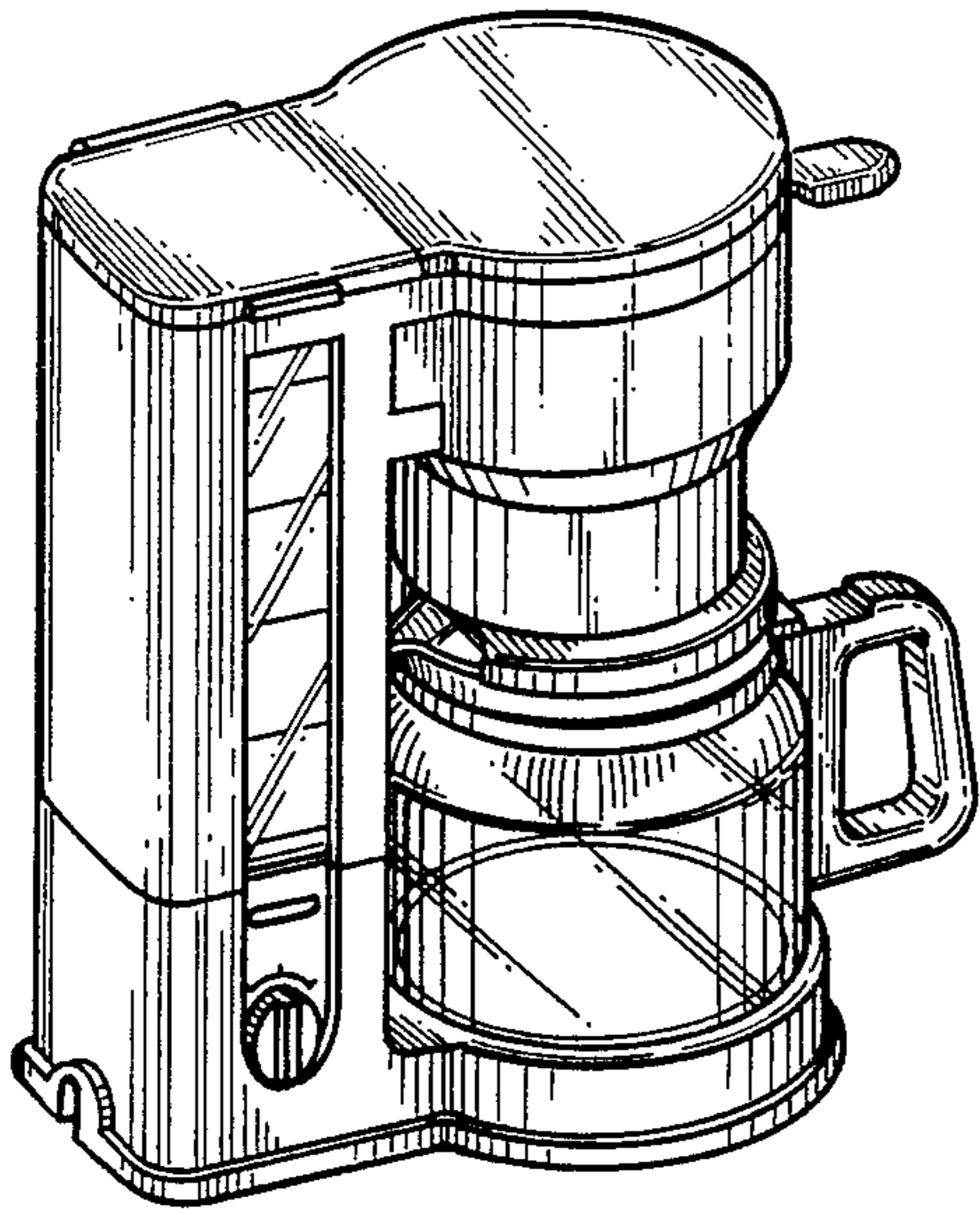


Fig. 1

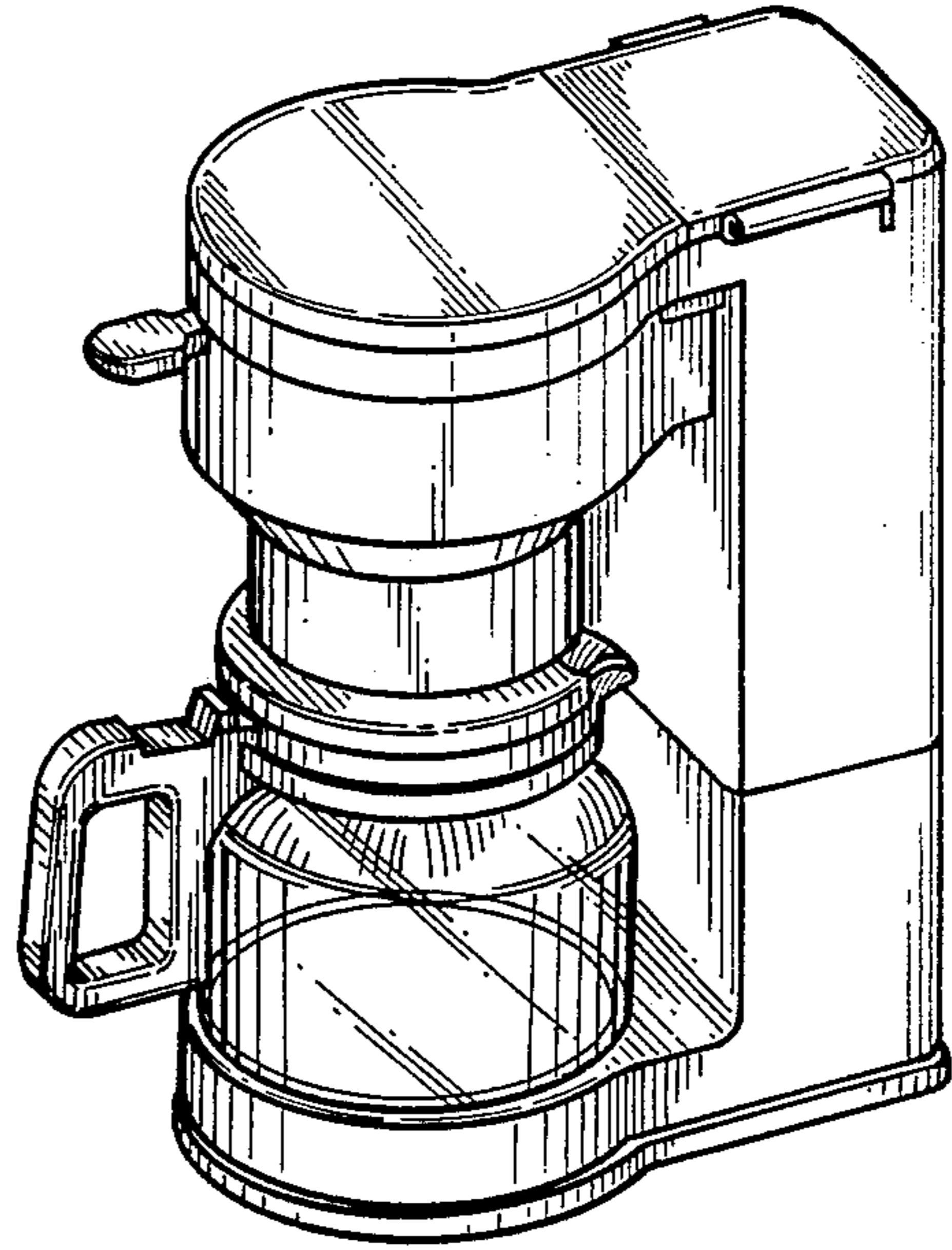


Fig. 2

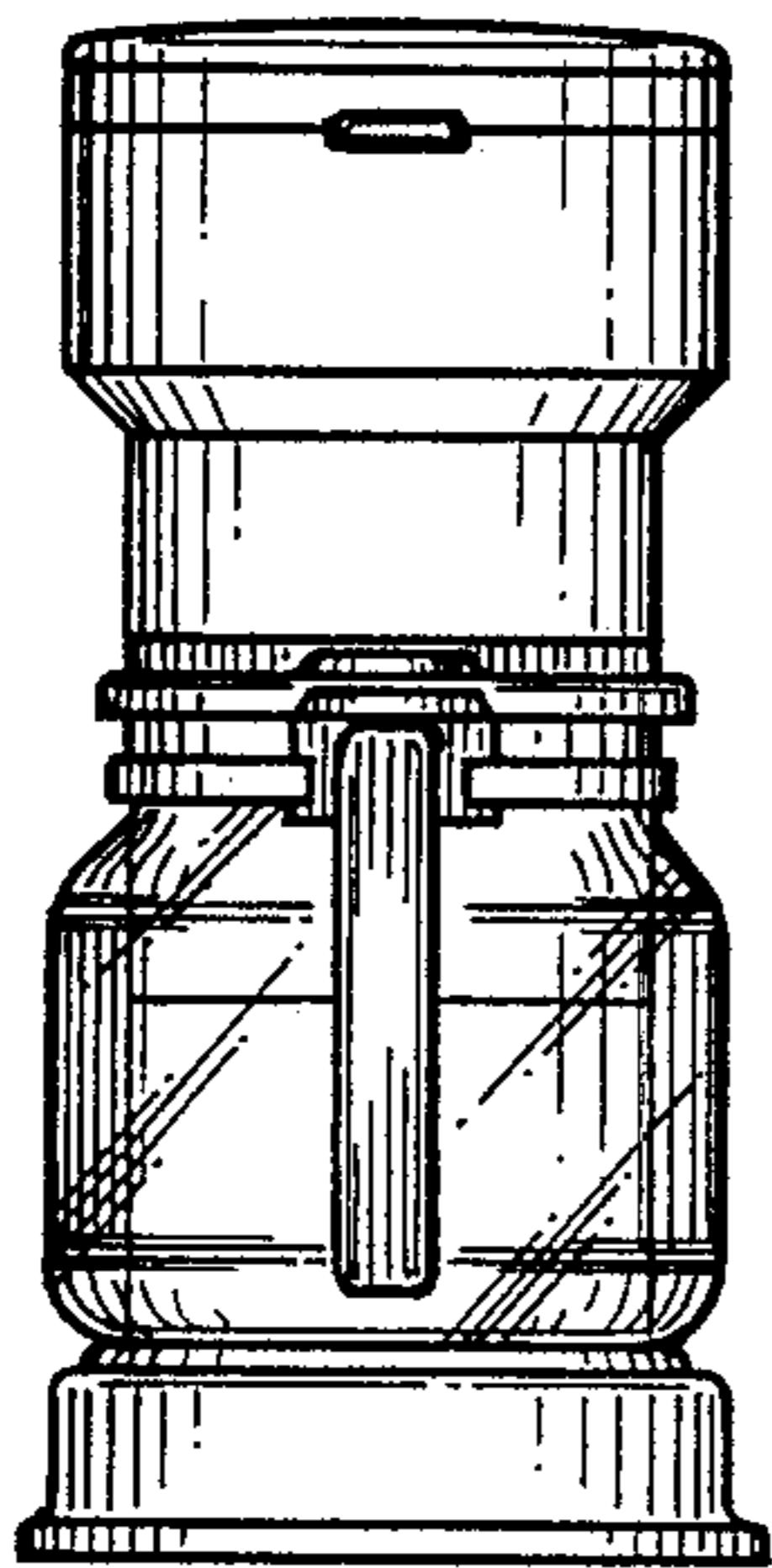


Fig. 3

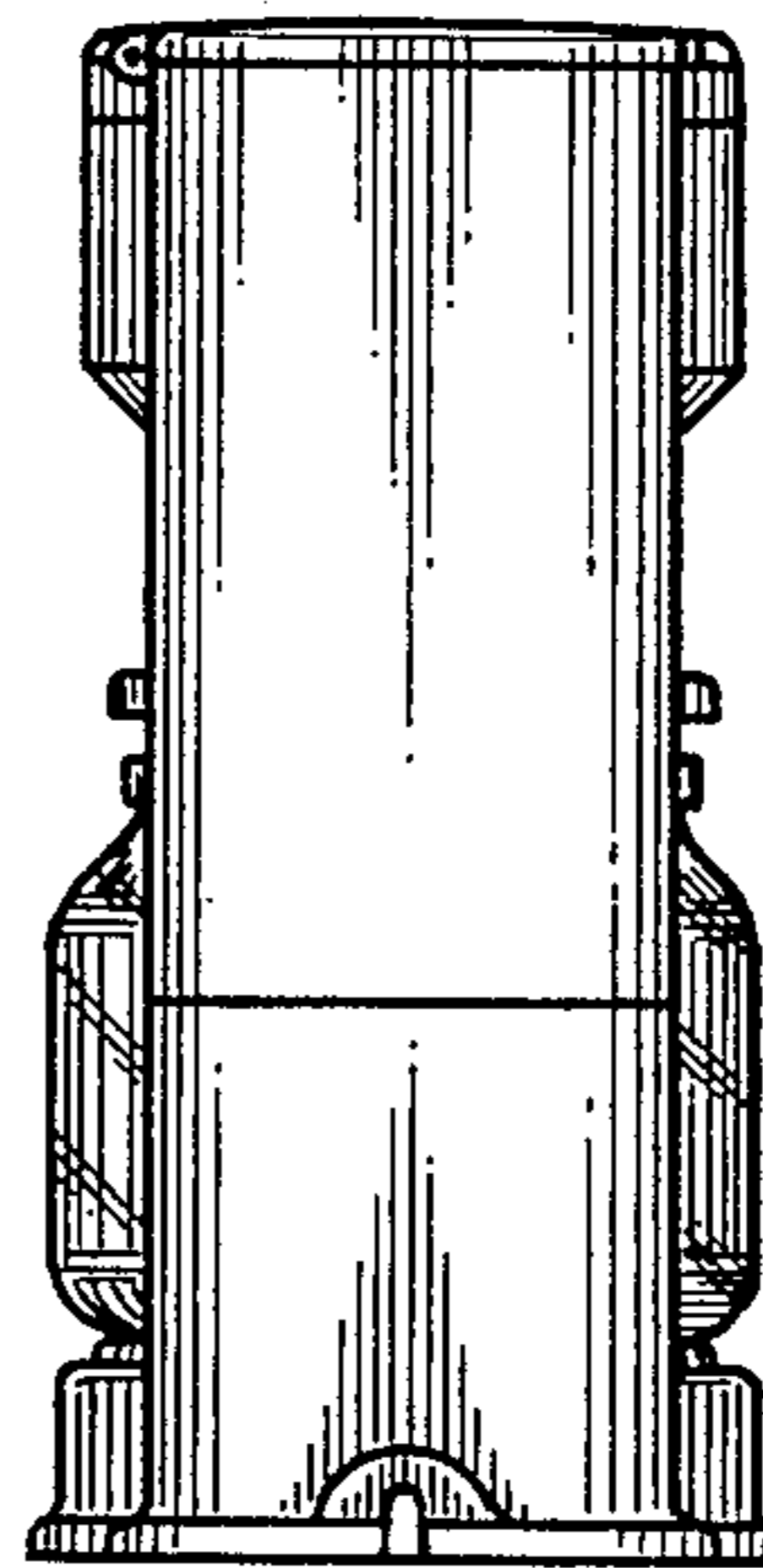


Fig. 4

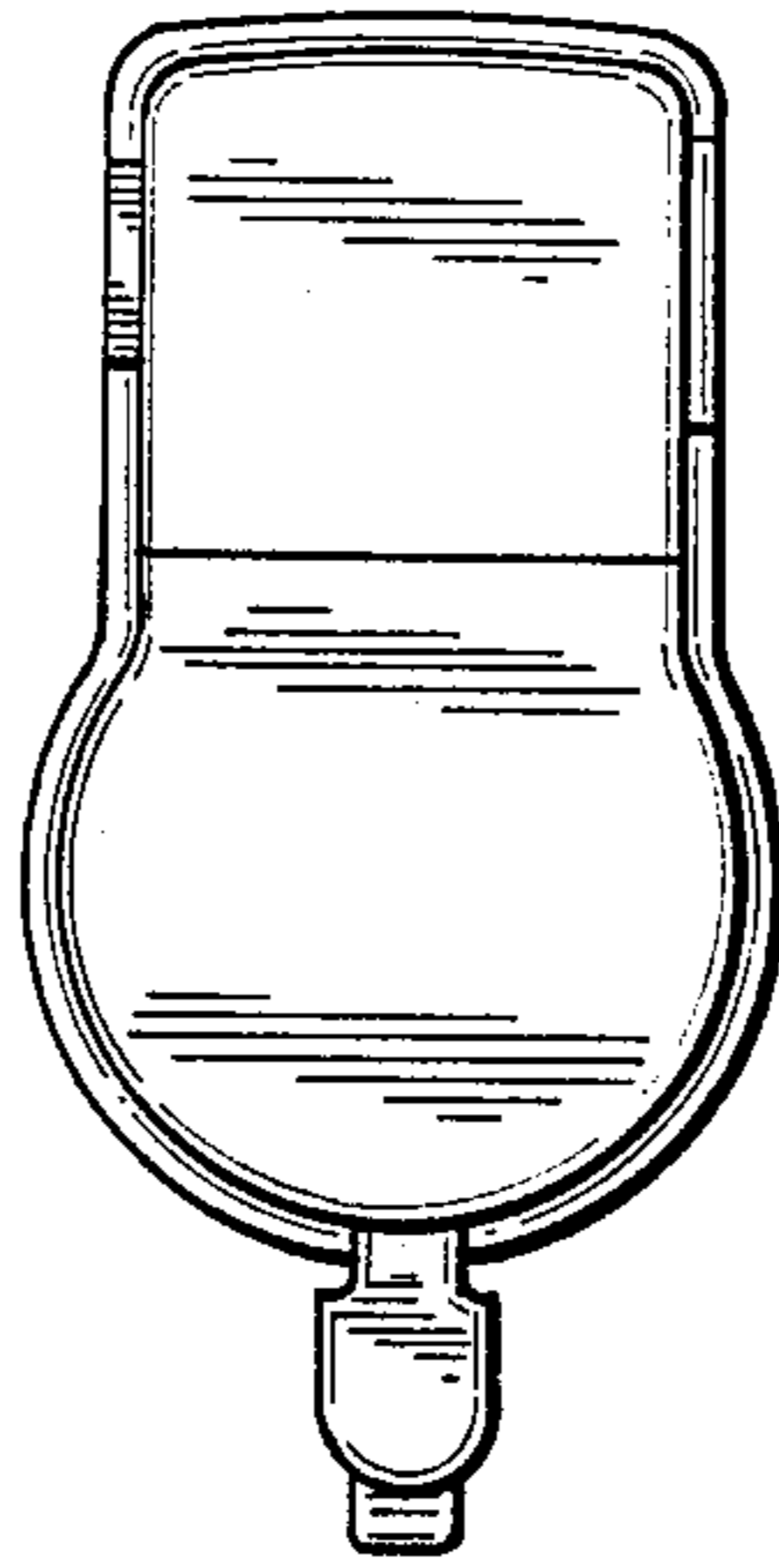


FIG. 5

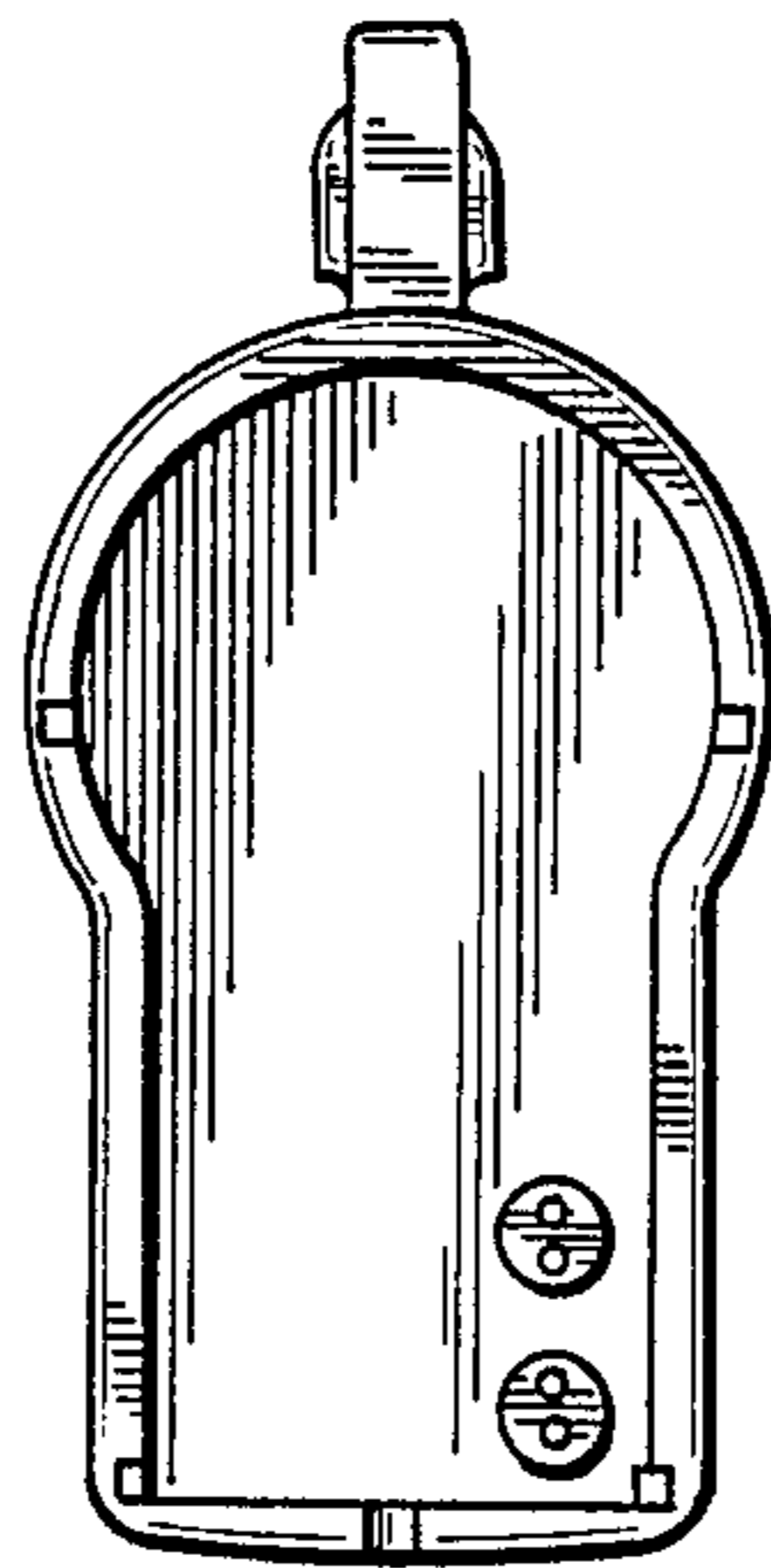


FIG. 8

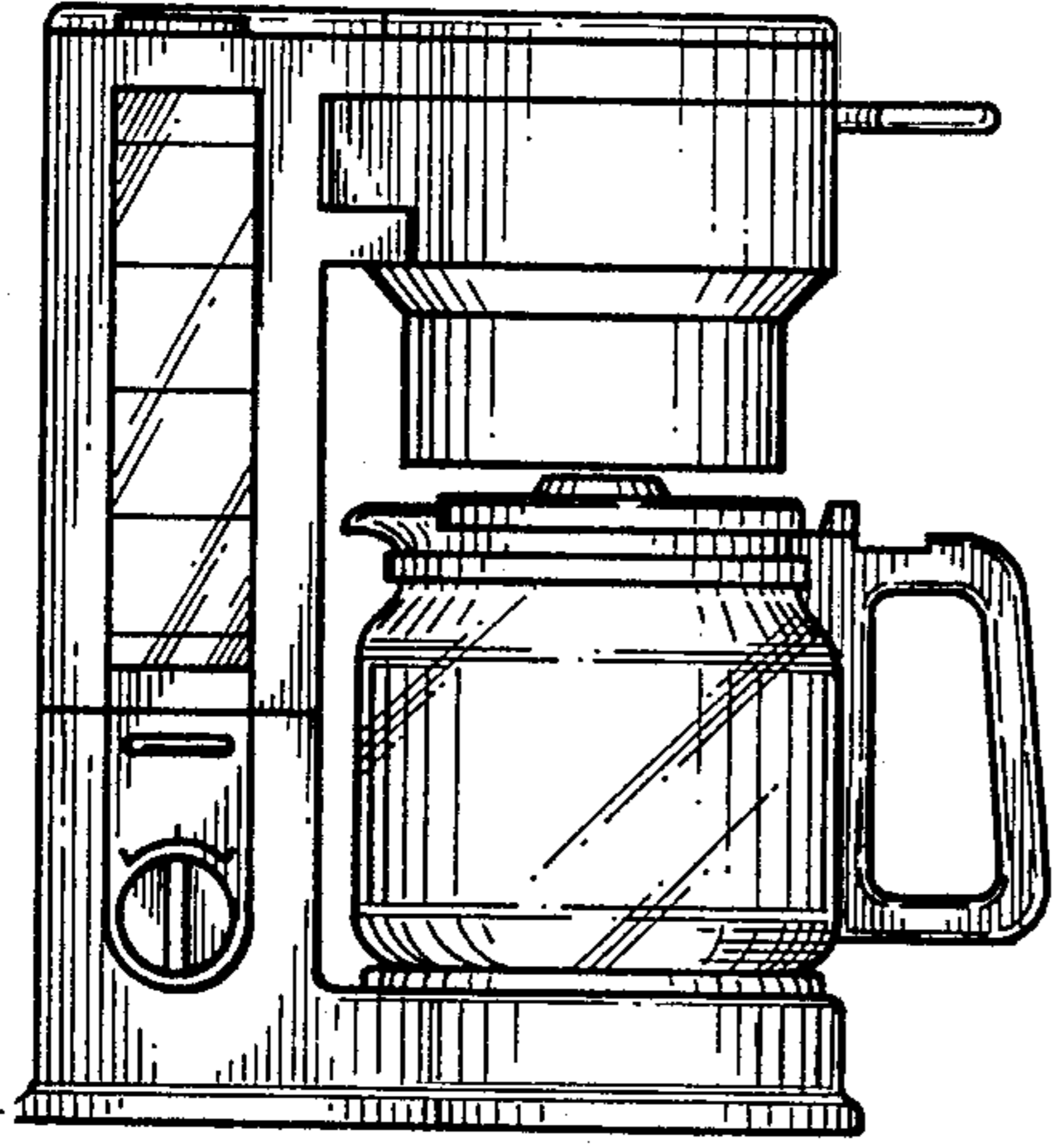


Fig. 6

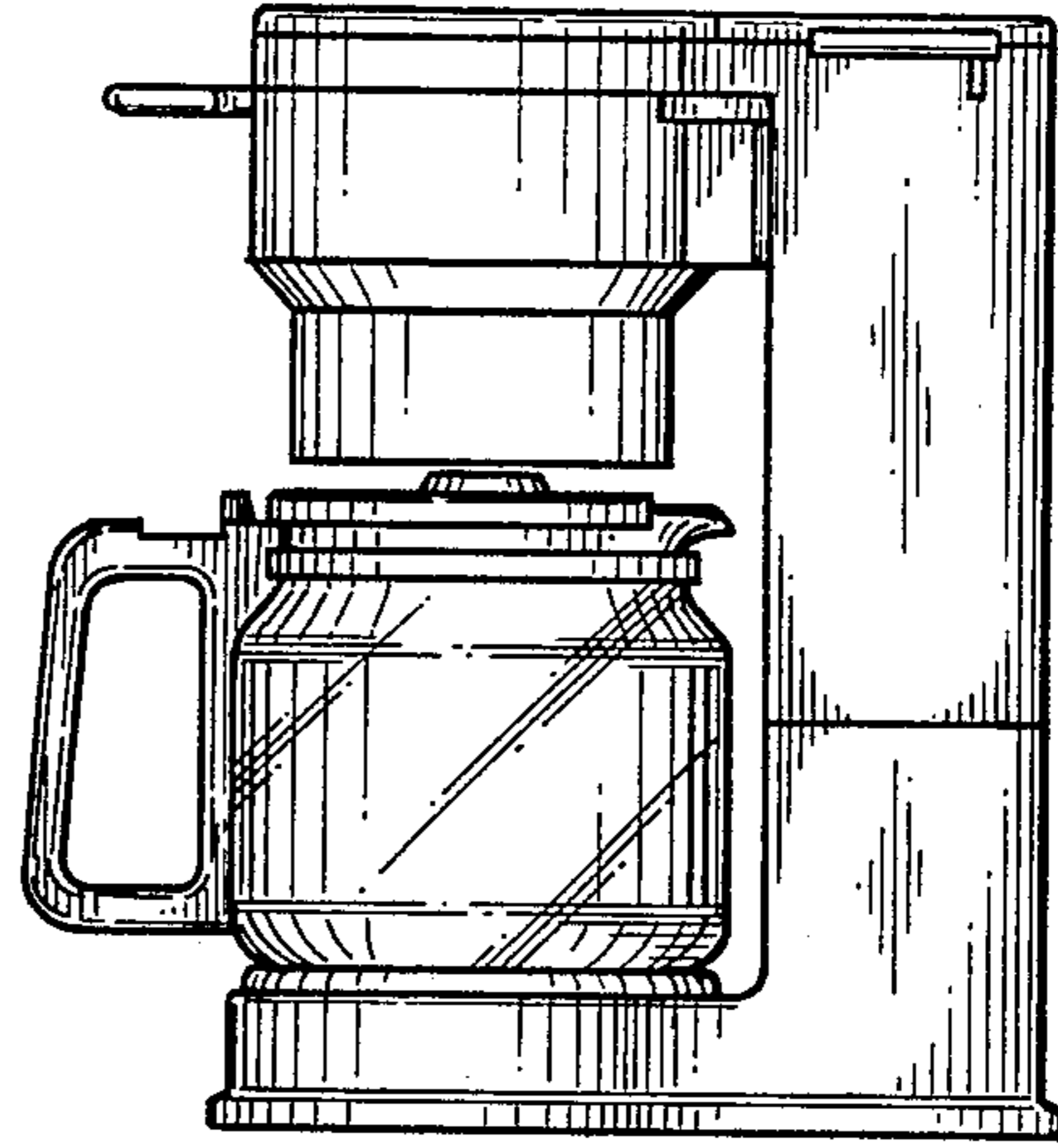


Fig. 7