

[54] **MEASURING JUG**

[76] **Inventor:** Rupert T. Ryan, Ormond Road,
 R.D.5, Hastings, New Zealand

[**] **Term:** 14 Years

[21] **Appl. No.:** 808,256

[22] **Filed:** Dec. 12, 1985

[52] **U.S. Cl.** D7/50

[58] **Field of Search** D7/50, 9, 300-303,
 D7/312, 314, 316-318, 320; 73/426-429;
 222/572, 465.1, 466, 467

[56]

References Cited

U.S. PATENT DOCUMENTS

- D. 255,531 6/1980 Daenen et al. D7/50
 D. 287,324 12/1986 Schmidt D7/50

OTHER PUBLICATIONS

Design 380, 8/80, p. 19, measuring jug.

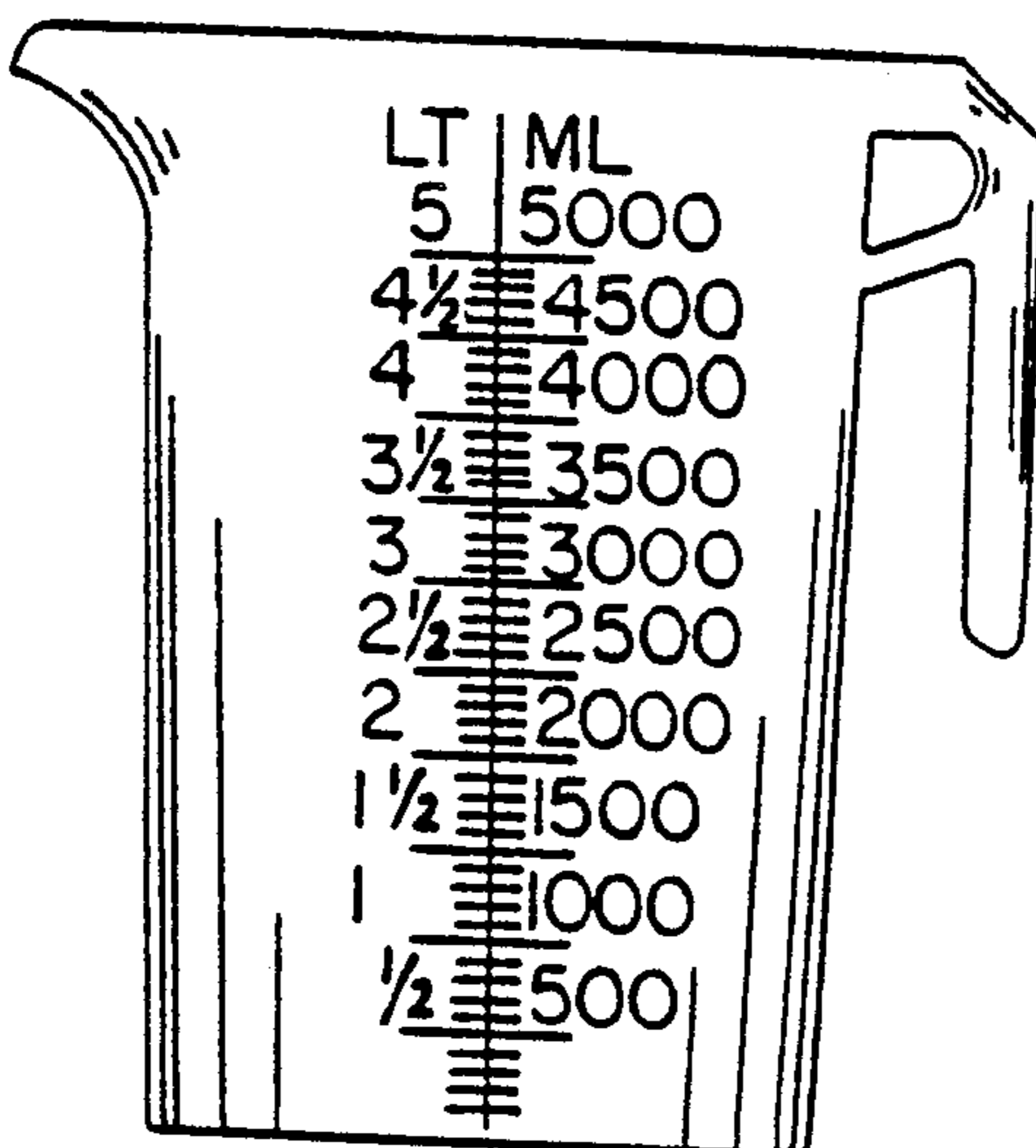
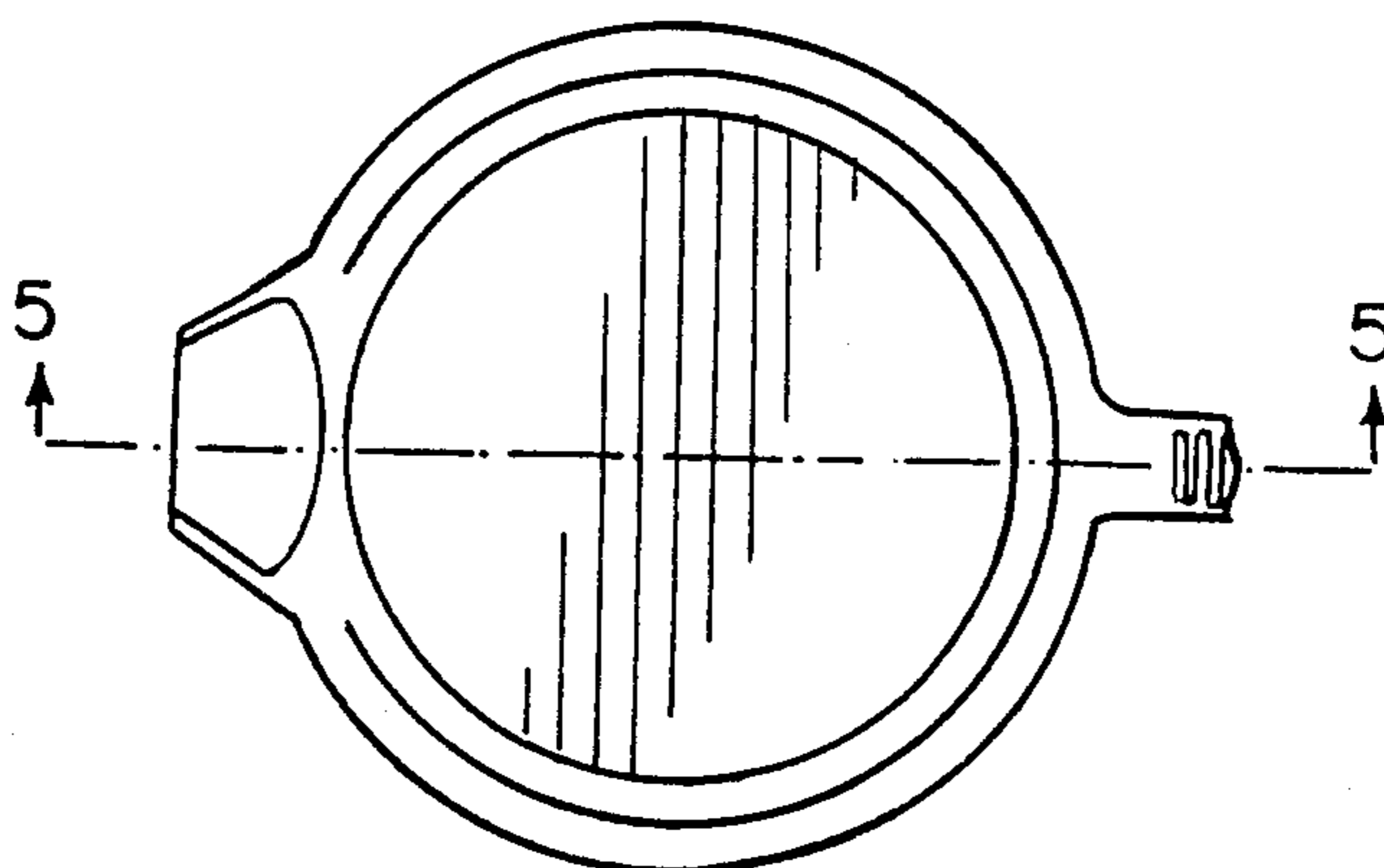
Primary Examiner—Bernard Ansher
Assistant Examiner—Terry Pfeffer
Attorney, Agent, or Firm—Finnegan, Henderson,
 Farabow, Garrett & Dunner

[57] **CLAIM**

The ornamental design for a measuring jug, as shown.

DESCRIPTION

FIG. 1 is a top plan view of a measuring jug showing my new design;
 FIG. 2 is a front elevational view thereof;
 FIG. 3 is a rear elevational view thereof;
 FIG. 4 is a side elevational view thereof;
 FIG. 5 is a cross-sectional view taken along line 5—5 of FIG. 1.



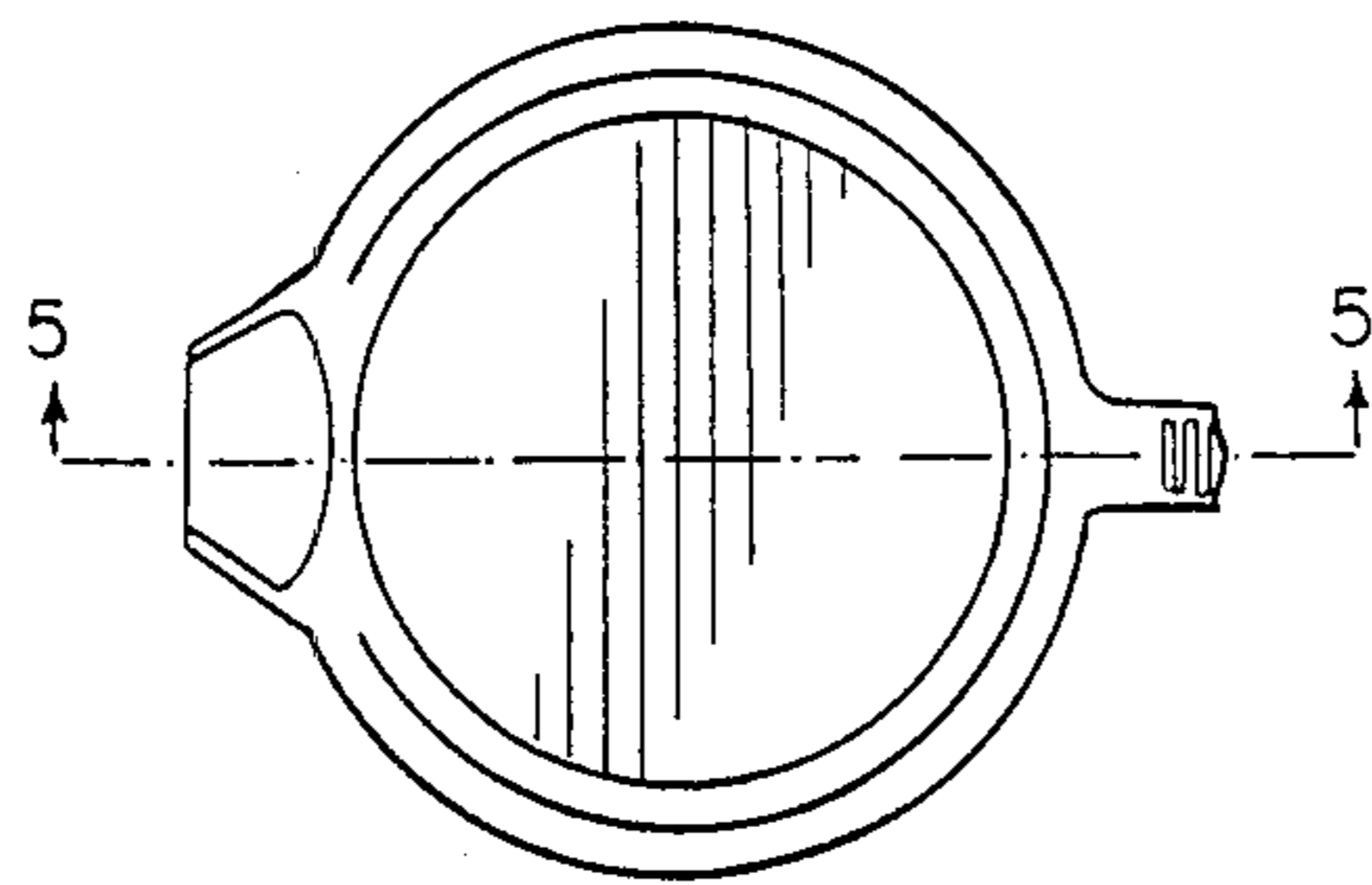


FIG. 1

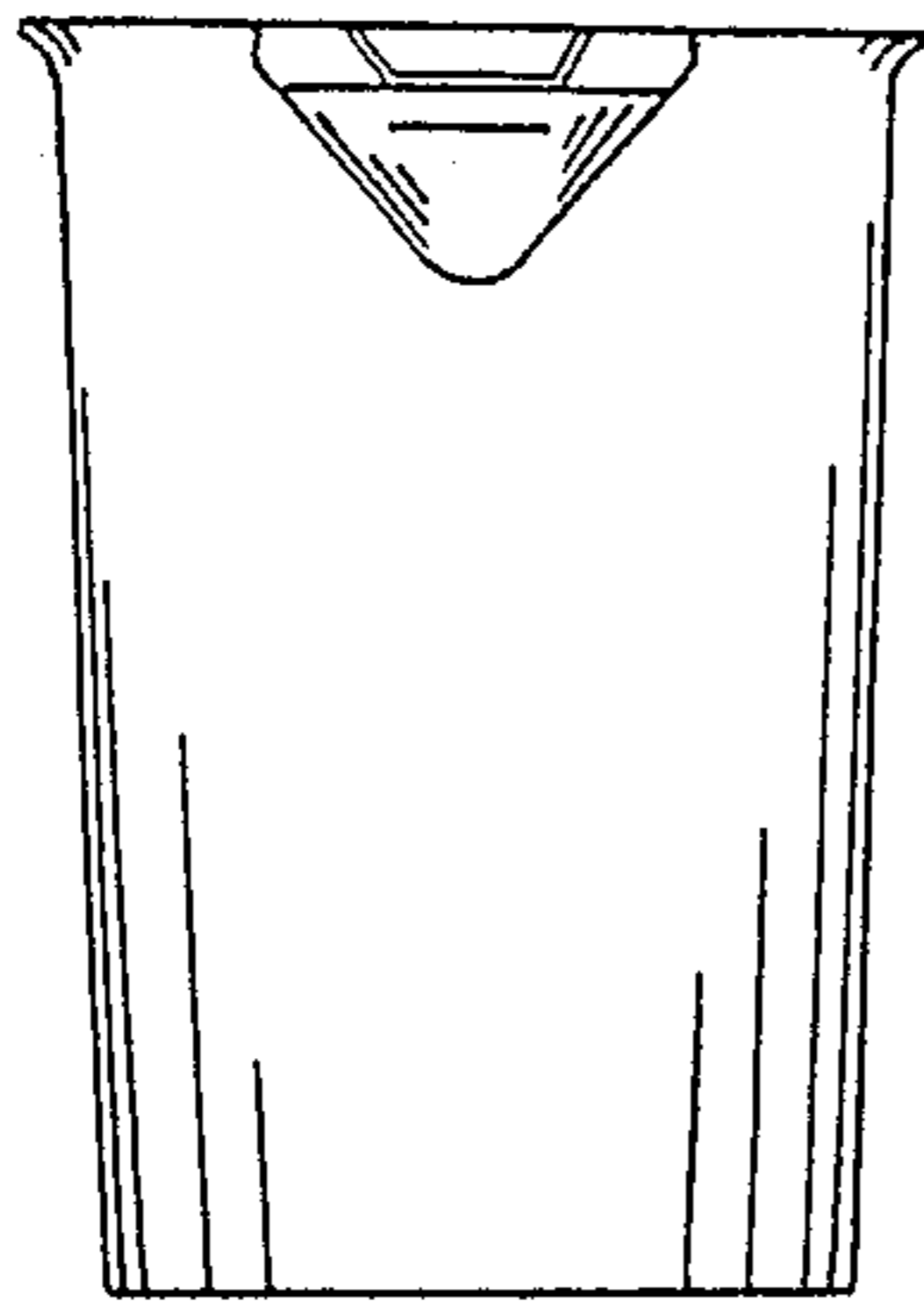


FIG. 2

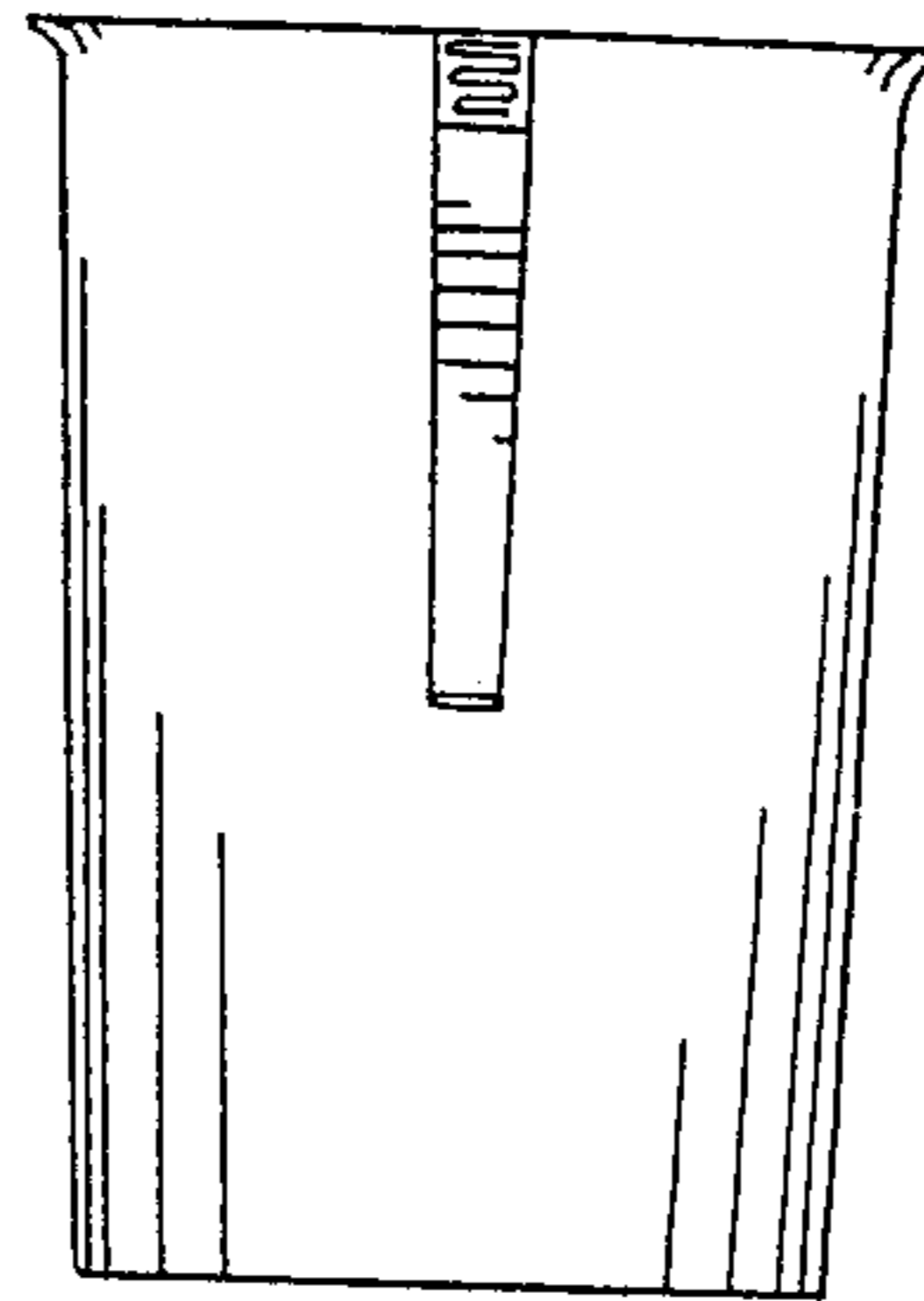


FIG. 3

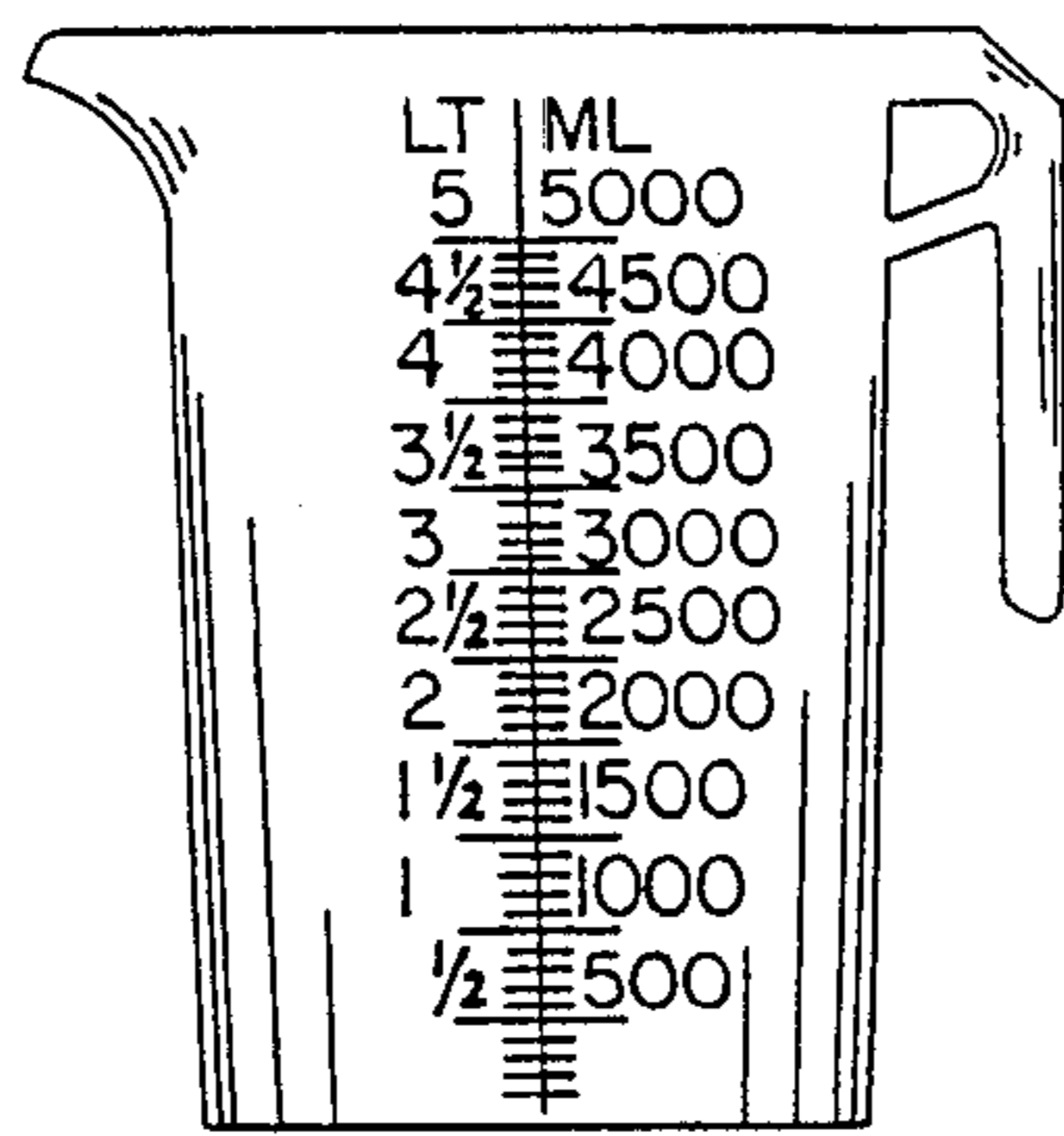


FIG. 4

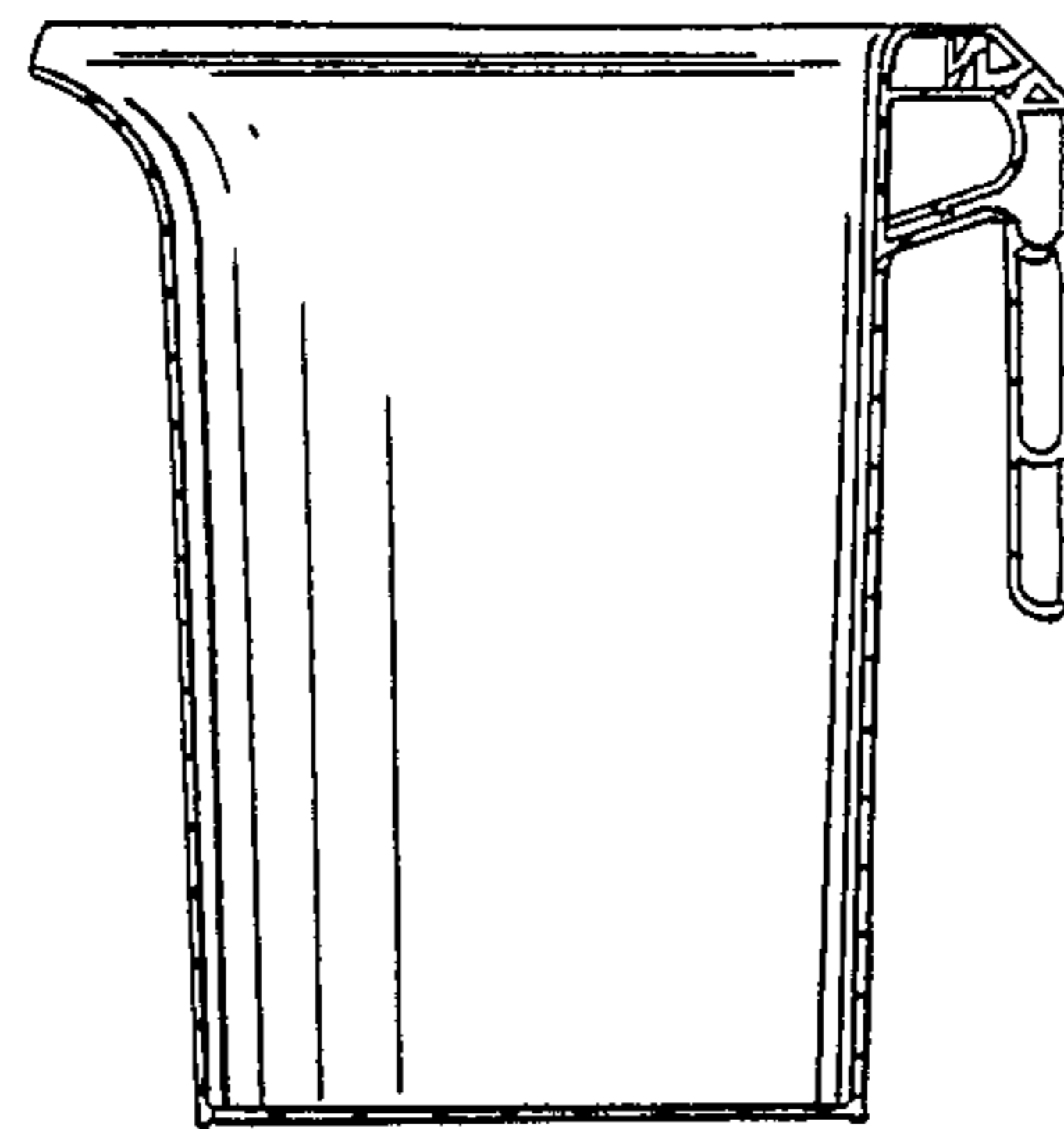


FIG. 5