

[54] **WALL MOUNTED CONSOLE**

[75] **Inventors: Steven E. Flory, Syracuse; Robert T. Morris, Bristol; Robert J. Morris, Middlebury, all of Ind.**

[73] **Assignee: Medallion Plastics, Inc., Middlebury, Ind.**

[\*\*] **Term: 14 Years**

[21] **Appl. No.: 834,058**

[22] **Filed: Feb. 19, 1986**

[52] **U.S. Cl. .... D6/559; D6/433**

[58] **Field of Search ..... D6/432, 433, 553, 559; 312/297**

[56] **References Cited**

**U.S. PATENT DOCUMENTS**

- D. 248,567 7/1978 Ward ..... D6/433 X
- D. 280,791 10/1985 Dozsa Farkas ..... D6/432 X

- D. 284,723 7/1986 Morris et al. .... D6/560
- D. 286,126 10/1986 Driscoll ..... D6/433 X
- D. 292,155 10/1987 Miels ..... D6/559 X
- 3,645,417 2/1972 Leal ..... D6/433 X

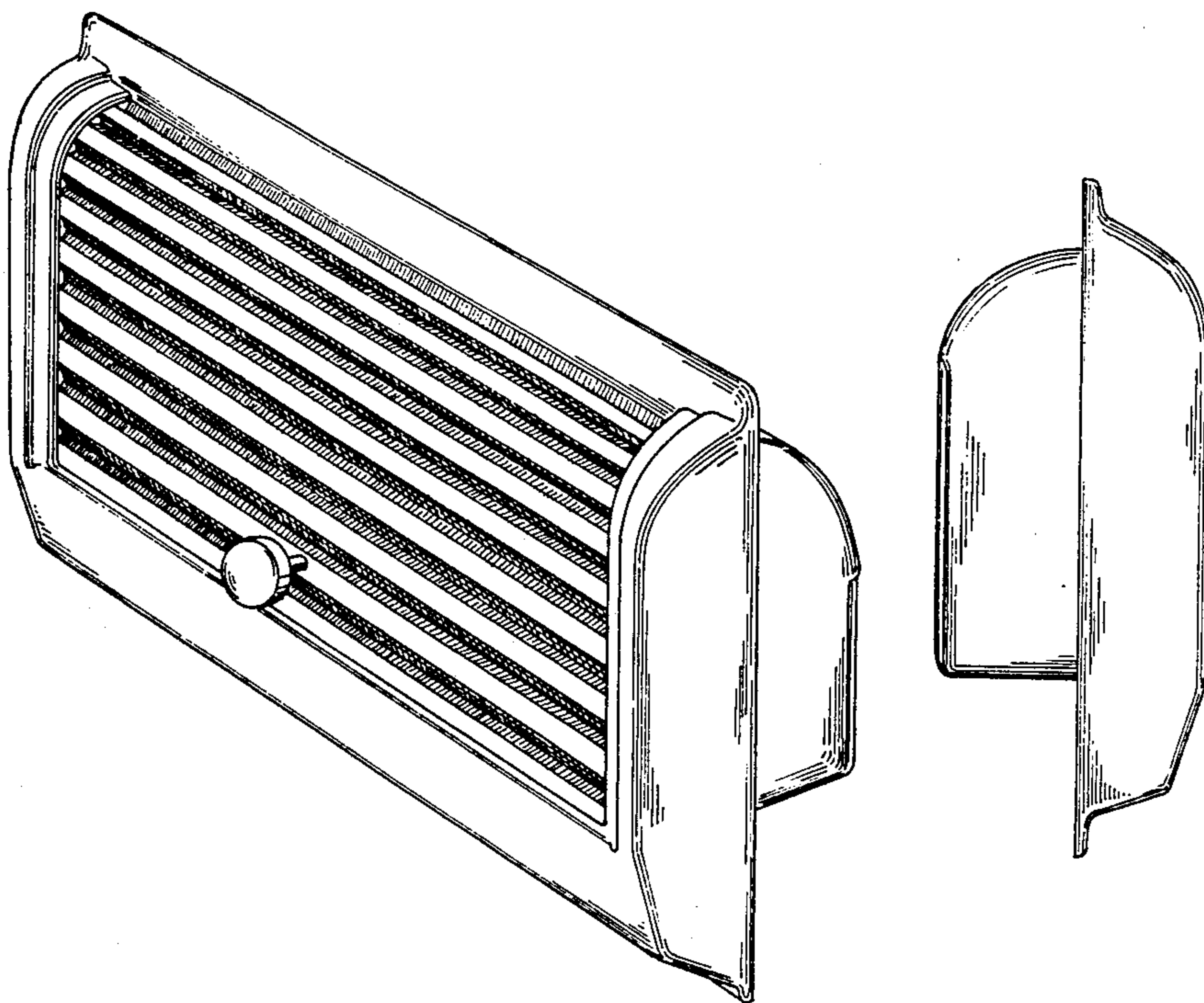
*Primary Examiner—Carmen H. Vales  
Attorney, Agent, or Firm—James D. Hall*

[57] **CLAIM**

The ornamental design for a wall mounted console, as shown.

**DESCRIPTION**

FIG. 1 is a perspective view of a wall mounted console showing our new design;  
 FIG. 2 is a left side elevational view thereof;  
 FIG. 3 is a right side elevational view thereof;  
 FIG. 4 is a front elevational view thereof;  
 FIG. 5 is a top plan view thereof;  
 FIG. 6 is a bottom plan view thereof; and  
 FIG. 7 is a rear elevational view thereof.



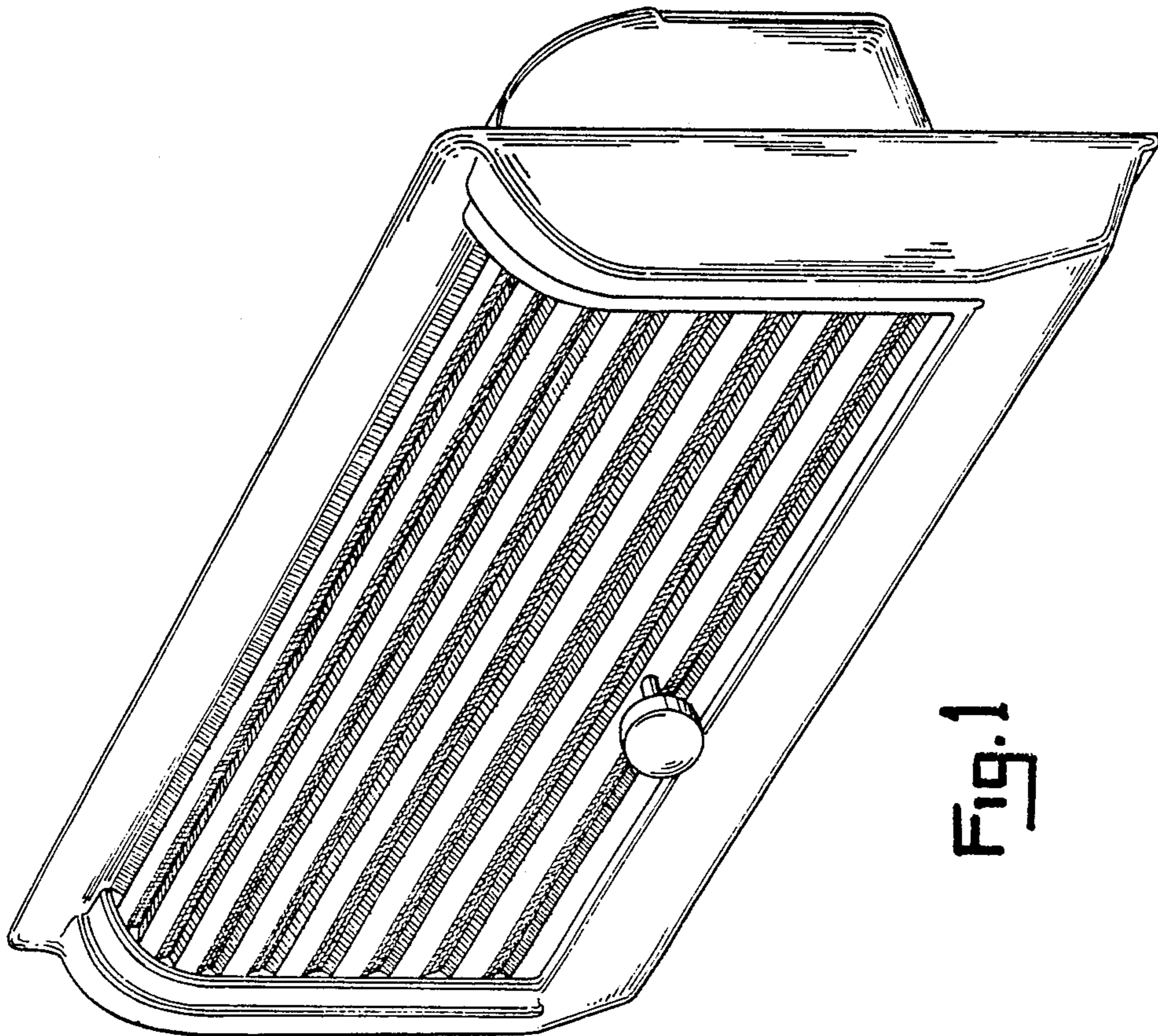


Fig. 1

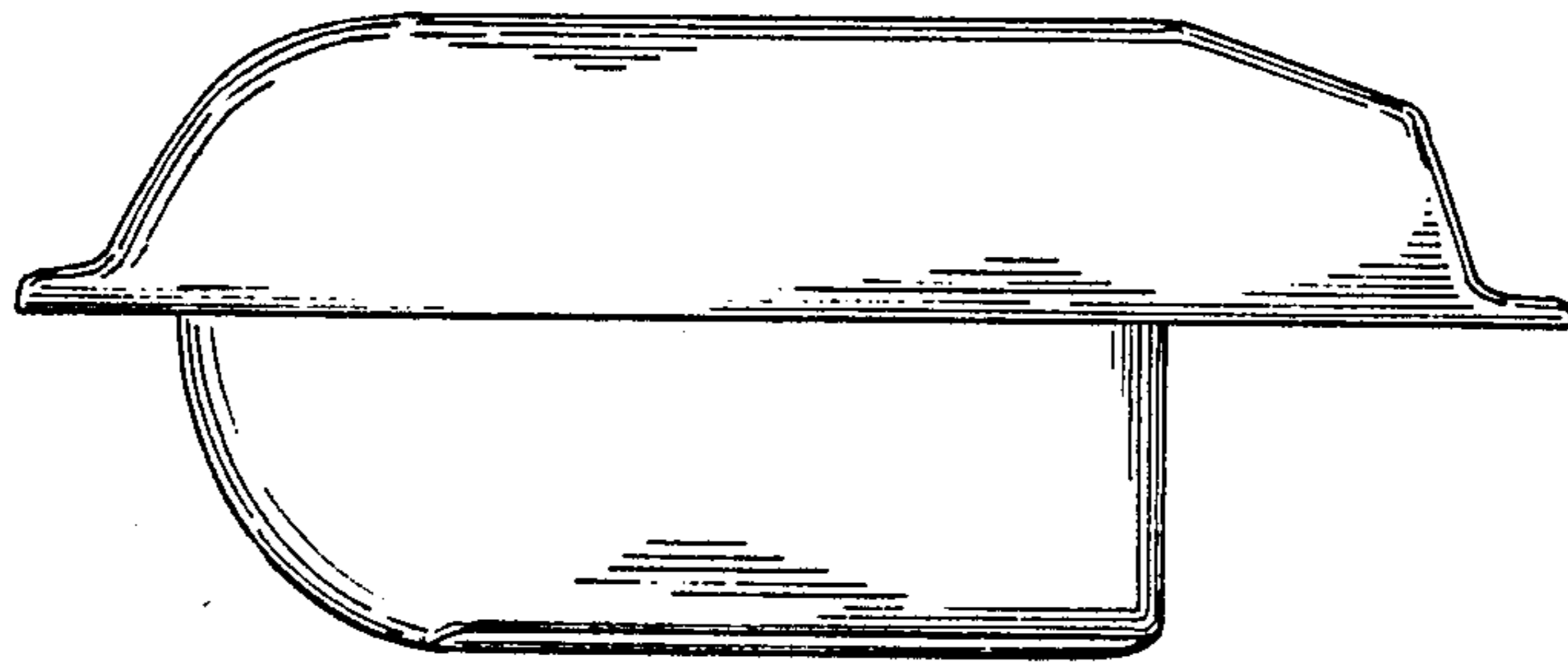


Fig. 2

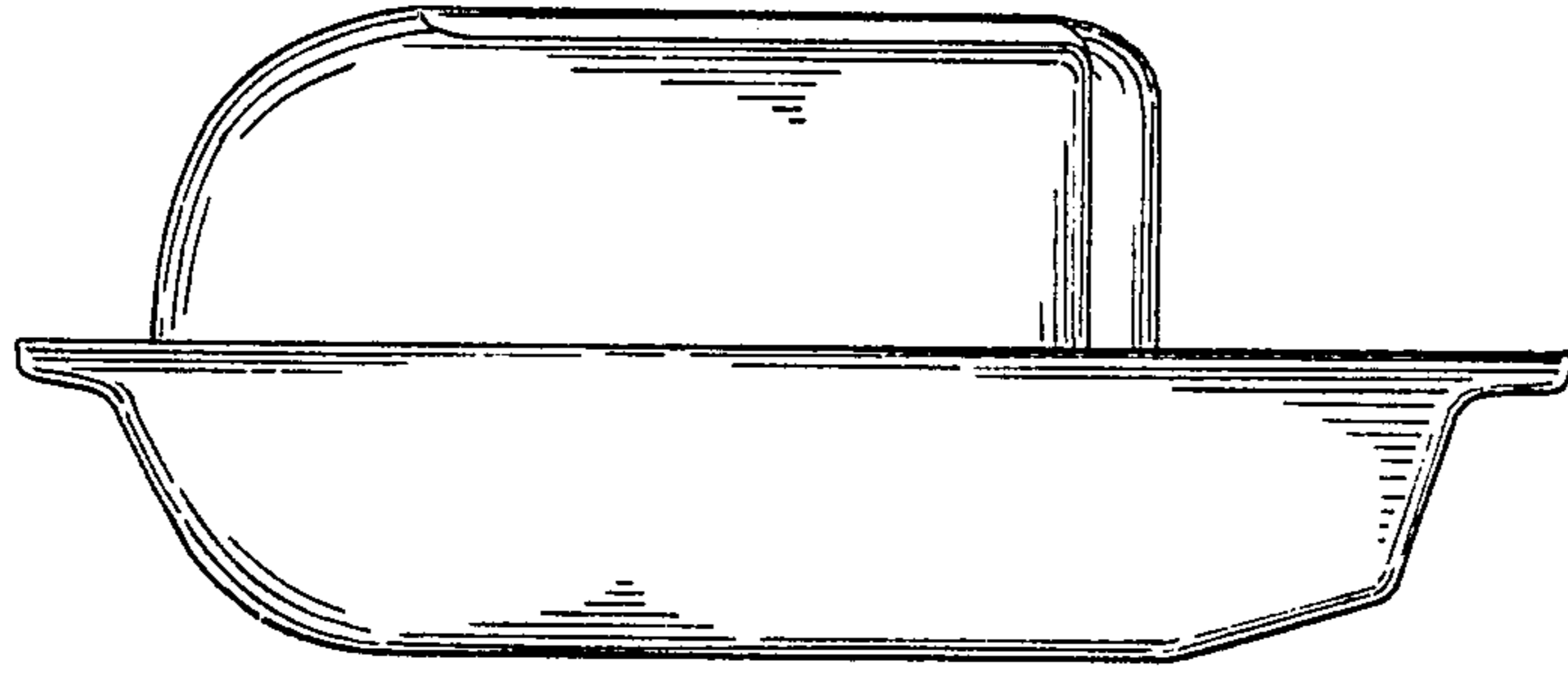


Fig. 3

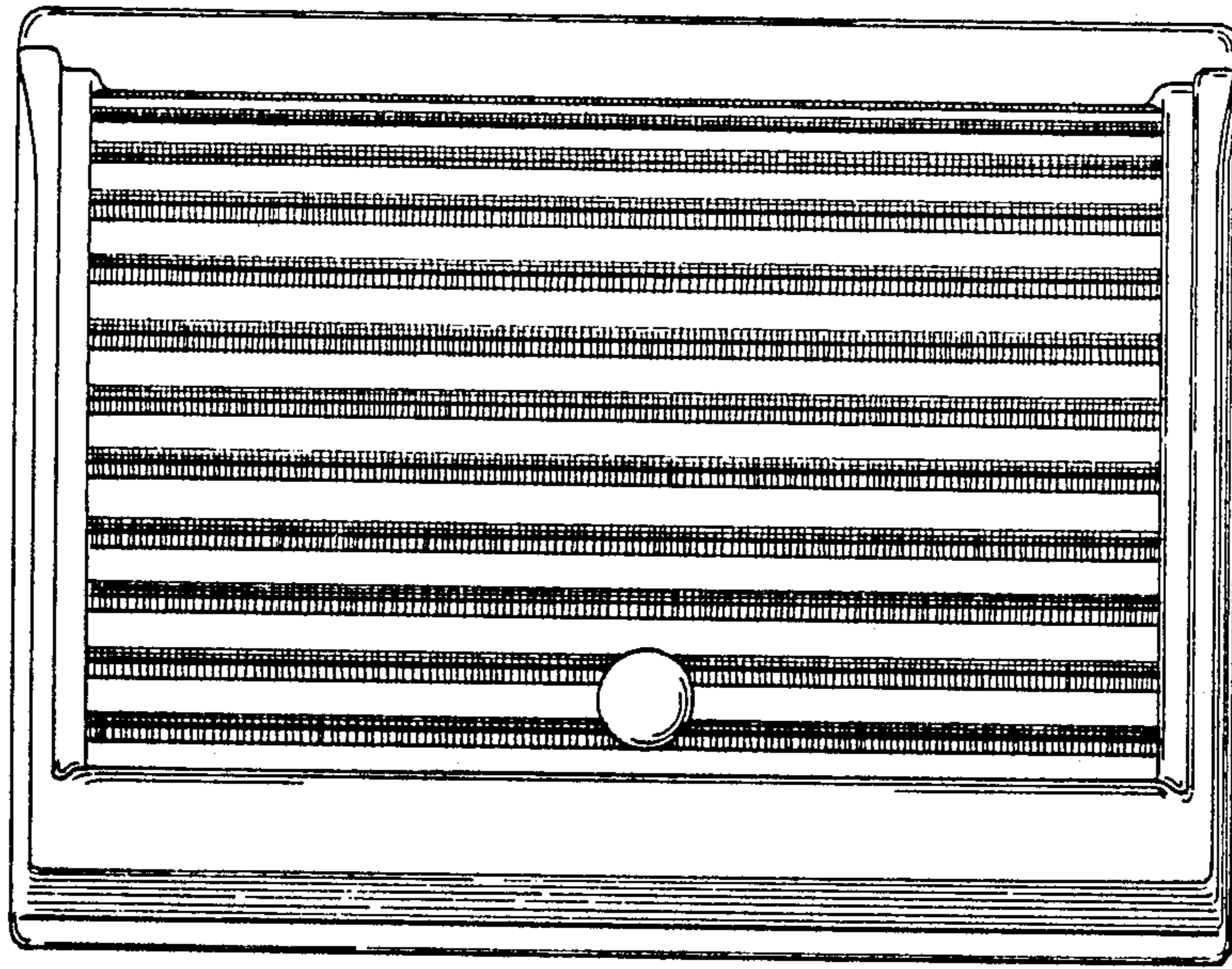


Fig. 4

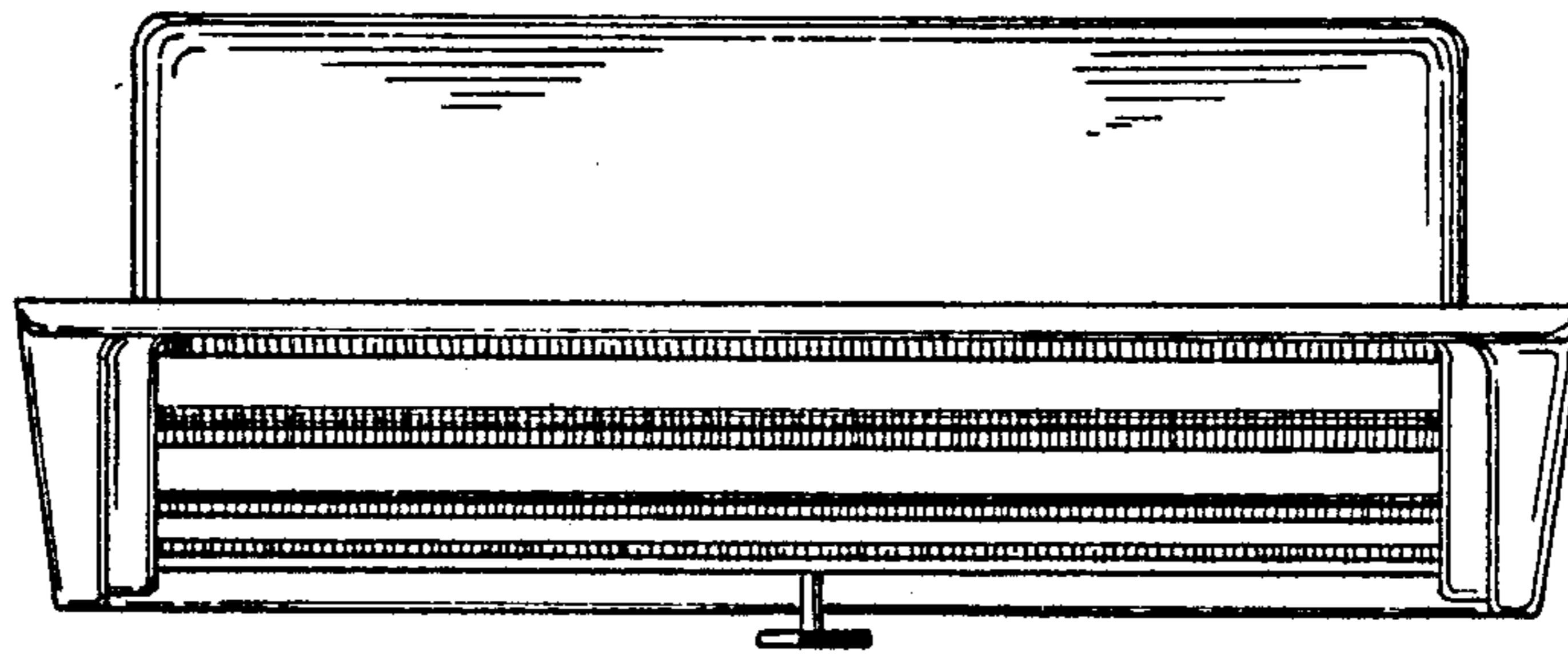


Fig. 5

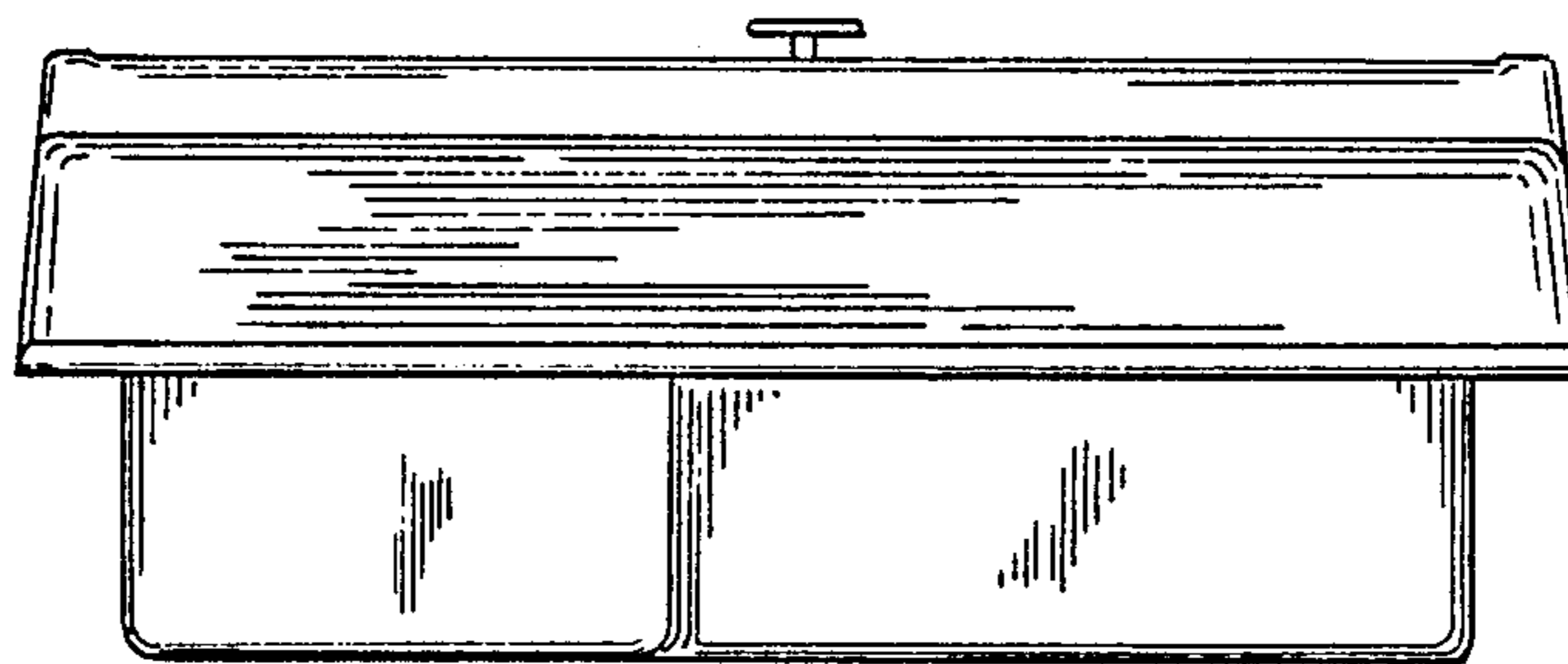


Fig. 6

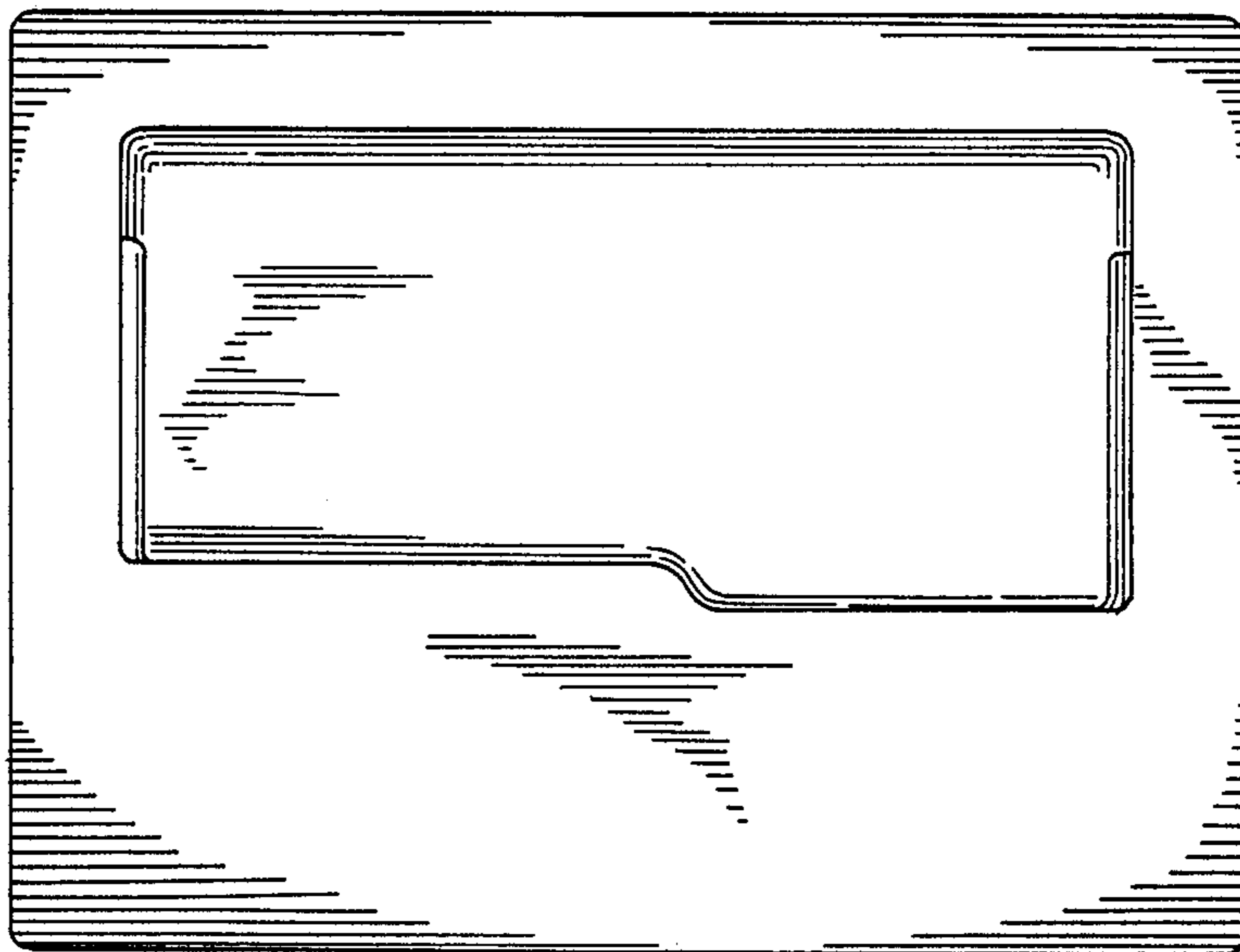


Fig. 7