

[54] **COMBINED TOILET PAPER HOLDER AND DISPENSER**

[75] **Inventor: Jan G. O. Nordlander, Goteborg, Sweden**

[73] **Assignee: Molnlycke Aktiebolag, Goteborg, Sweden**

[\*\*] **Term: 14 Years**

[21] **Appl. No.: 840,957**

[22] **Filed: Mar. 17, 1986**

[52] **U.S. Cl. .... D6/518**

[58] **Field of Search ..... D6/512, 515, 518, 523, D6/553; 242/55.2, 55.53, 55.54; 206/389; 221/191; 312/39**

[56] **References Cited**

**U.S. PATENT DOCUMENTS**

D. 275,246 8/1984 Lauder ..... D6/52.1  
4,088,276 5/1978 Littleton ..... 242/55.53

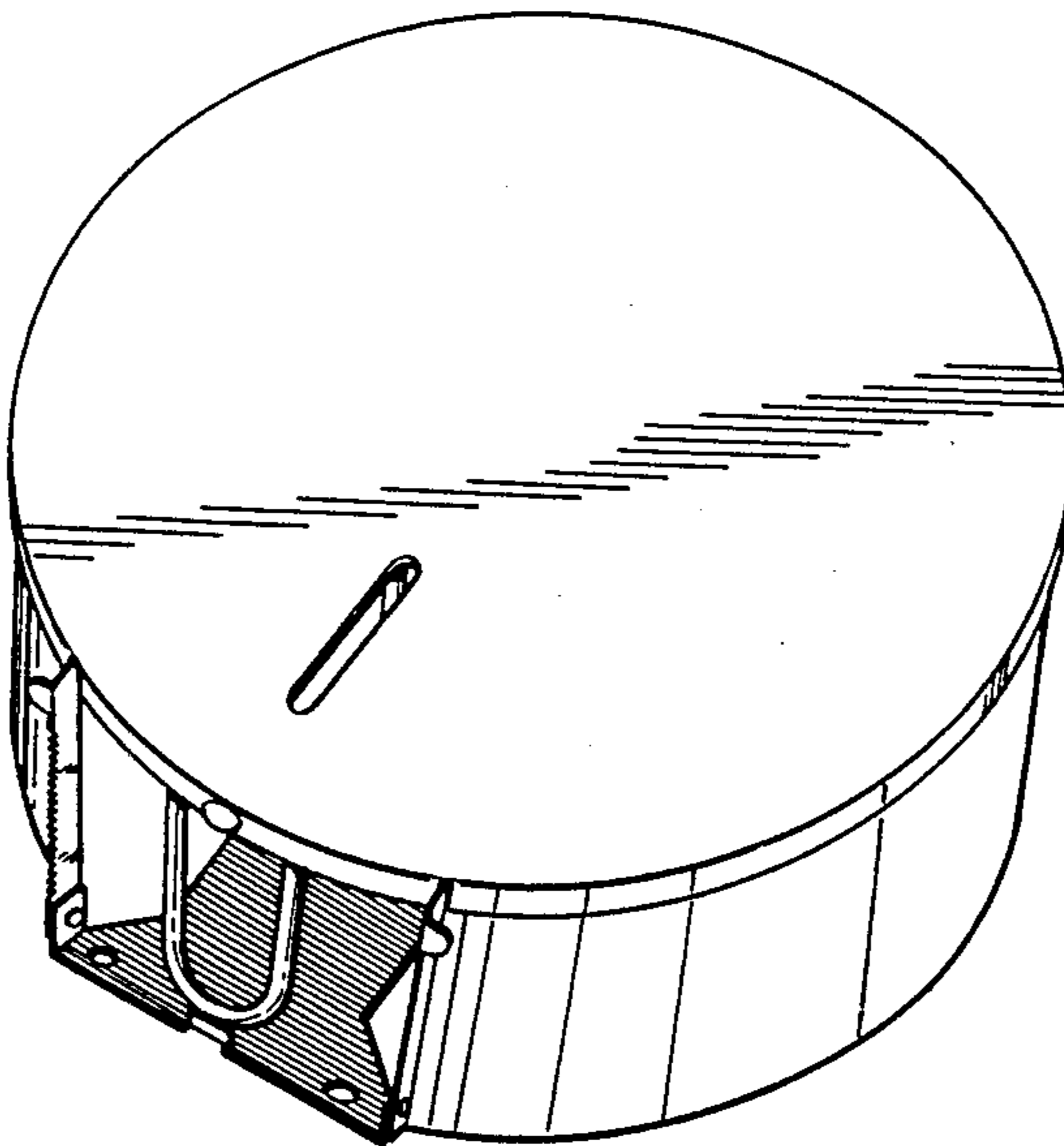
*Primary Examiner*—Wallace R. Burke  
*Assistant Examiner*—Brian N. Vinson  
*Attorney, Agent, or Firm*—Young & Thompson

[57] **CLAIM**

The ornamental design for a combined toilet paper holder and dispenser, as shown.

**DESCRIPTION**

FIG. 1 is a top and side perspective view of a combined toilet paper holder and dispenser showing my new design; FIG. 2 is a bottom perspective view thereof; and FIG. 3 is a side elevational view thereof.



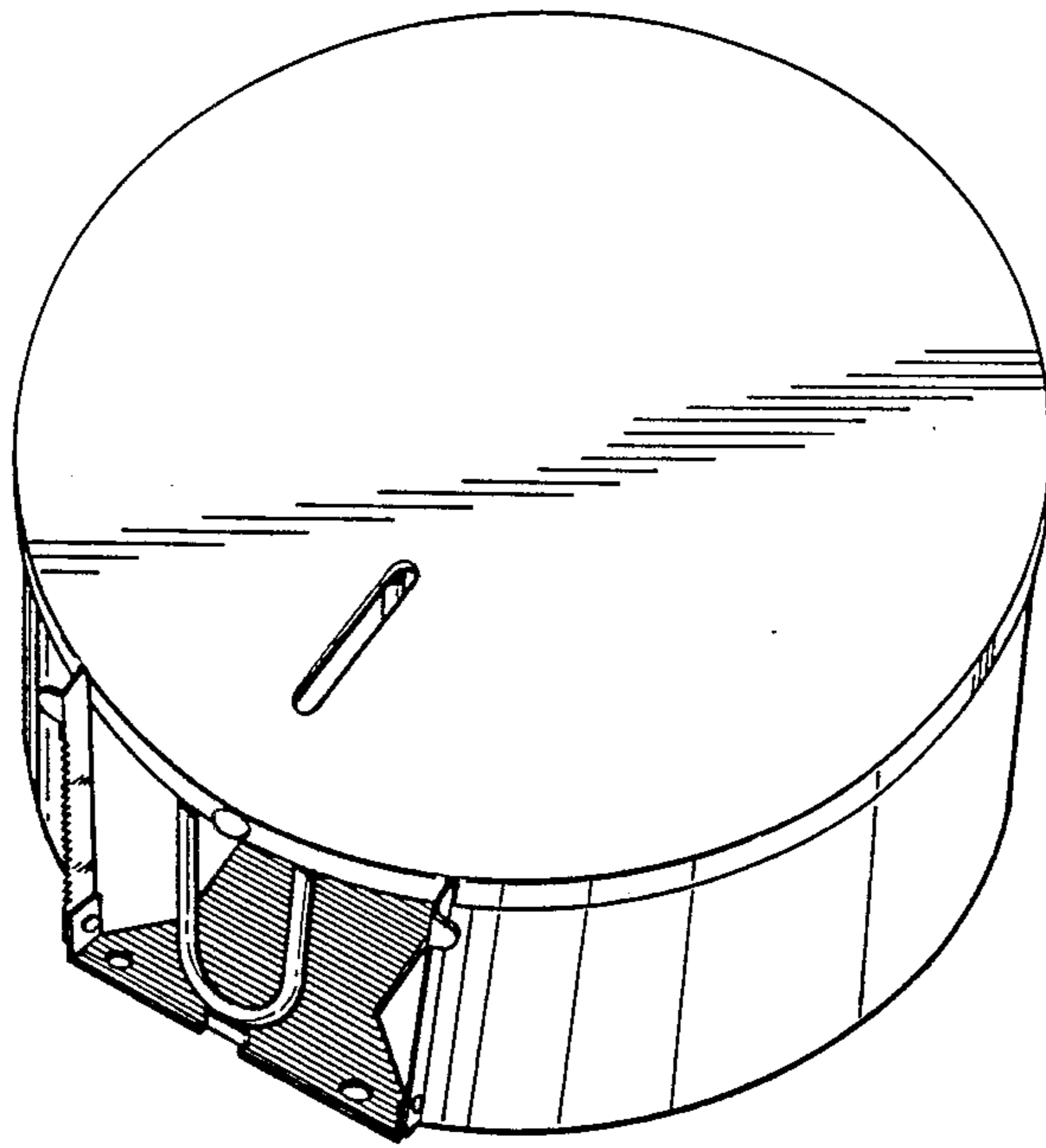


FIG. 1

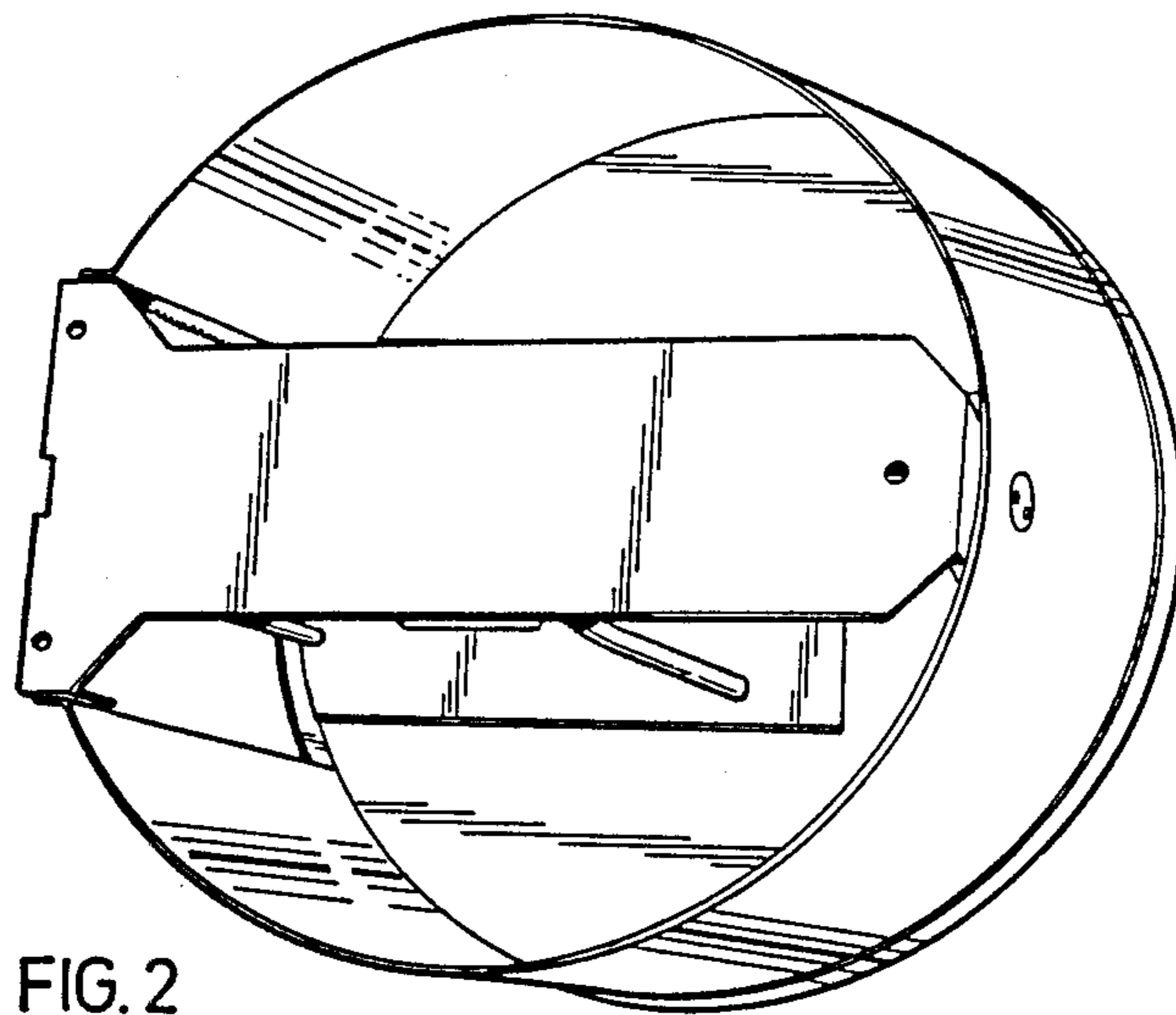


FIG. 2

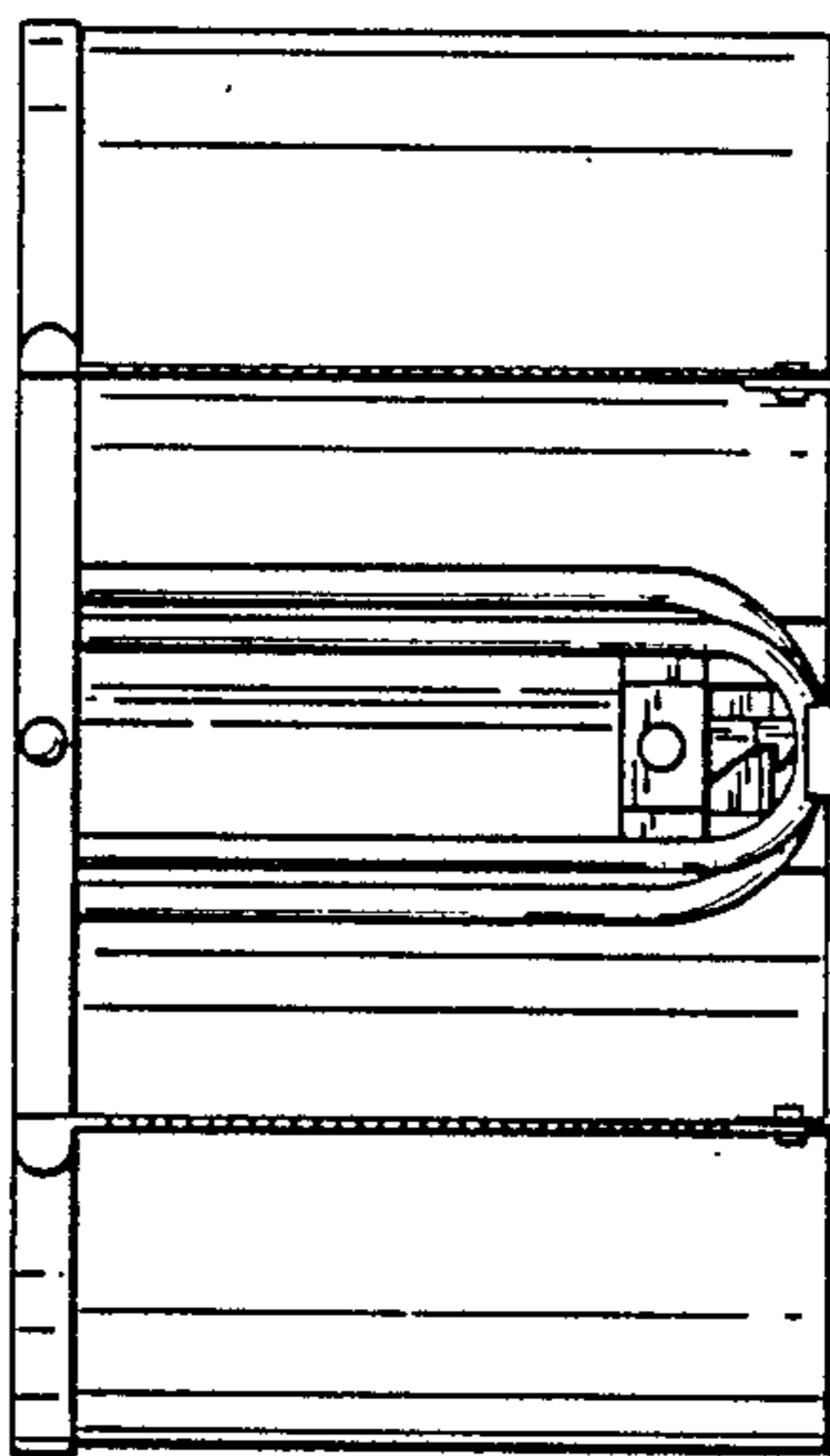


FIG. 3