

[54] **COMBINED BENCH, GOLF BALL WASHER AND WASTE RECEPTACLE SUPPORT**

[76] **Inventor: Robert L. Shields, Rte. 3, Box 72, Miltona, Minn. 56354**

[\*\*] **Term: 14 Years**

[21] **Appl. No.: 892,450**

[22] **Filed: Aug. 4, 1986**

[52] **U.S. Cl. .... D6/335; D6/336; D6/370; D6/372**

[58] **Field of Search ..... D6/334, 335, 338, 370, D6/380, 381, 364, 365; D21/234; 297/440, 445, 157**

[56] **References Cited**

**U.S. PATENT DOCUMENTS**

D. 67,030	4/1925	Haase	.....	D6/370
D. 225,194	11/1972	Ruth	.....	D6/370
D. 237,434	11/1975	LeMay, Jr.	.....	D6/370
D. 240,475	7/1976	Morgan	.....	D6/335
D. 246,683	12/1977	Cagle	.....	D6/370 X
D. 246,810	12/1977	Genova	.....	D21/234
D. 253,142	10/1979	Herman	.....	D6/370
D. 262,904	2/1982	Markwood et al.	.....	D21/234

**OTHER PUBLICATIONS**

Par Aide 1986 catalog-Cover, pp. 1, 3 and 4.

*Primary Examiner*—Bruce W. Dunkins

*Attorney, Agent, or Firm*—Burd, Bartz & Gutenkauf

[57] **CLAIM**

The ornamental design for a combined bench, golf ball washer and waste receptacle support, as shown and described.

**DESCRIPTION**

FIG. 1 is a front perspective view of the combined bench, golf ball washer and waste receptacle support of my new design;

FIG. 2 is a front view thereof;

FIG. 3 is a rear view thereof;

FIG. 4 is a side view of the right side thereof;

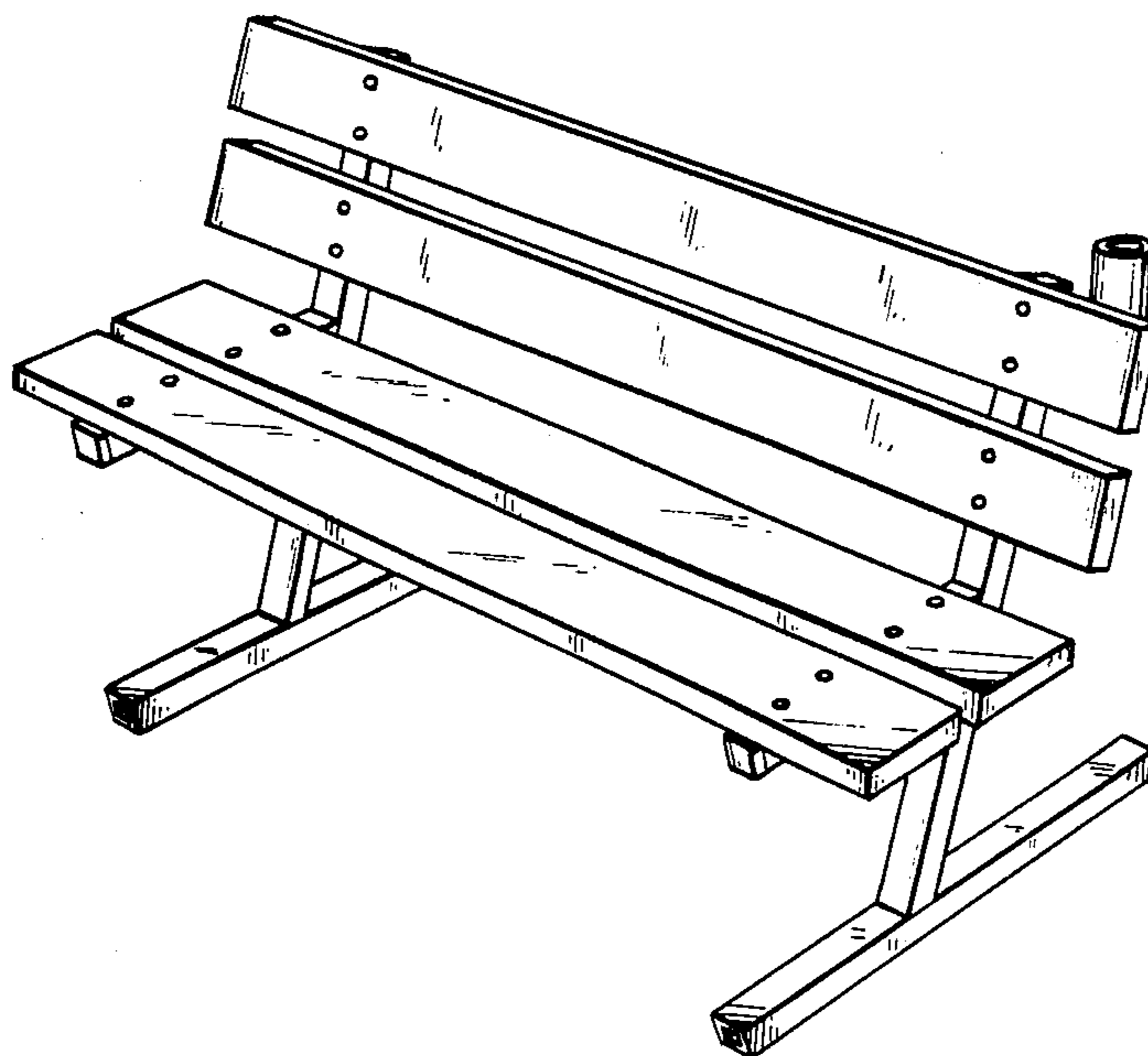
FIG. 5 is a side view of the left side thereof;

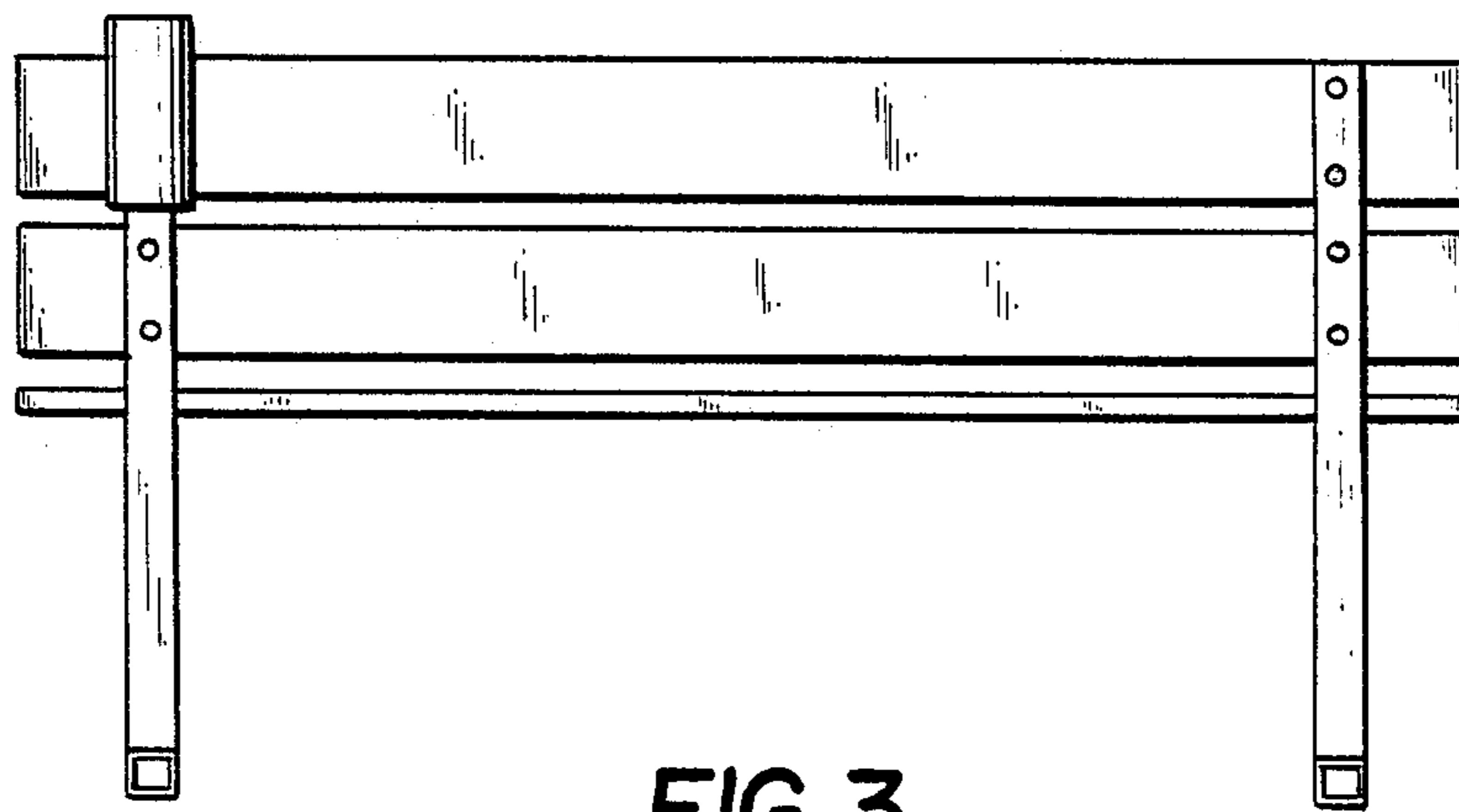
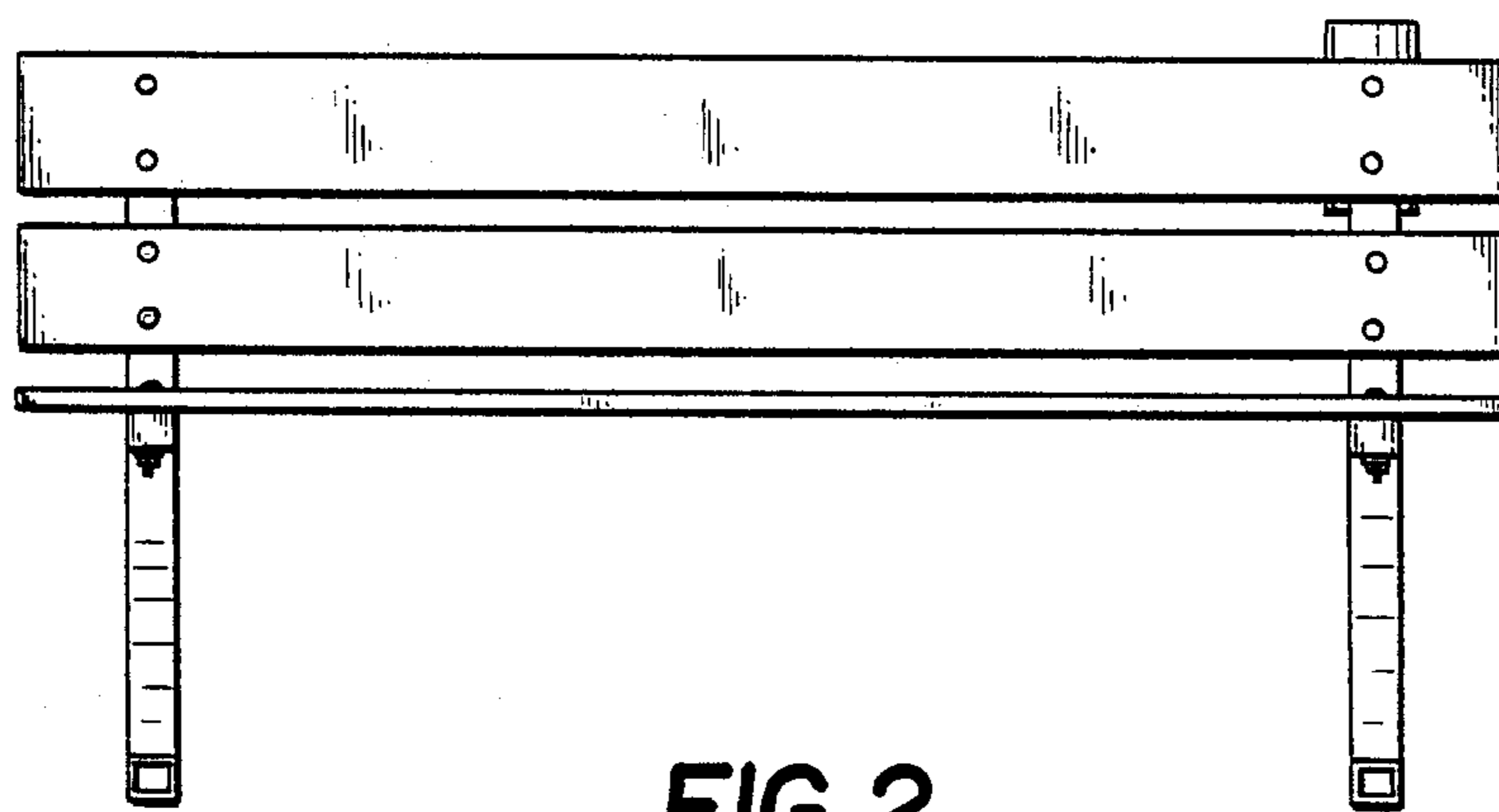
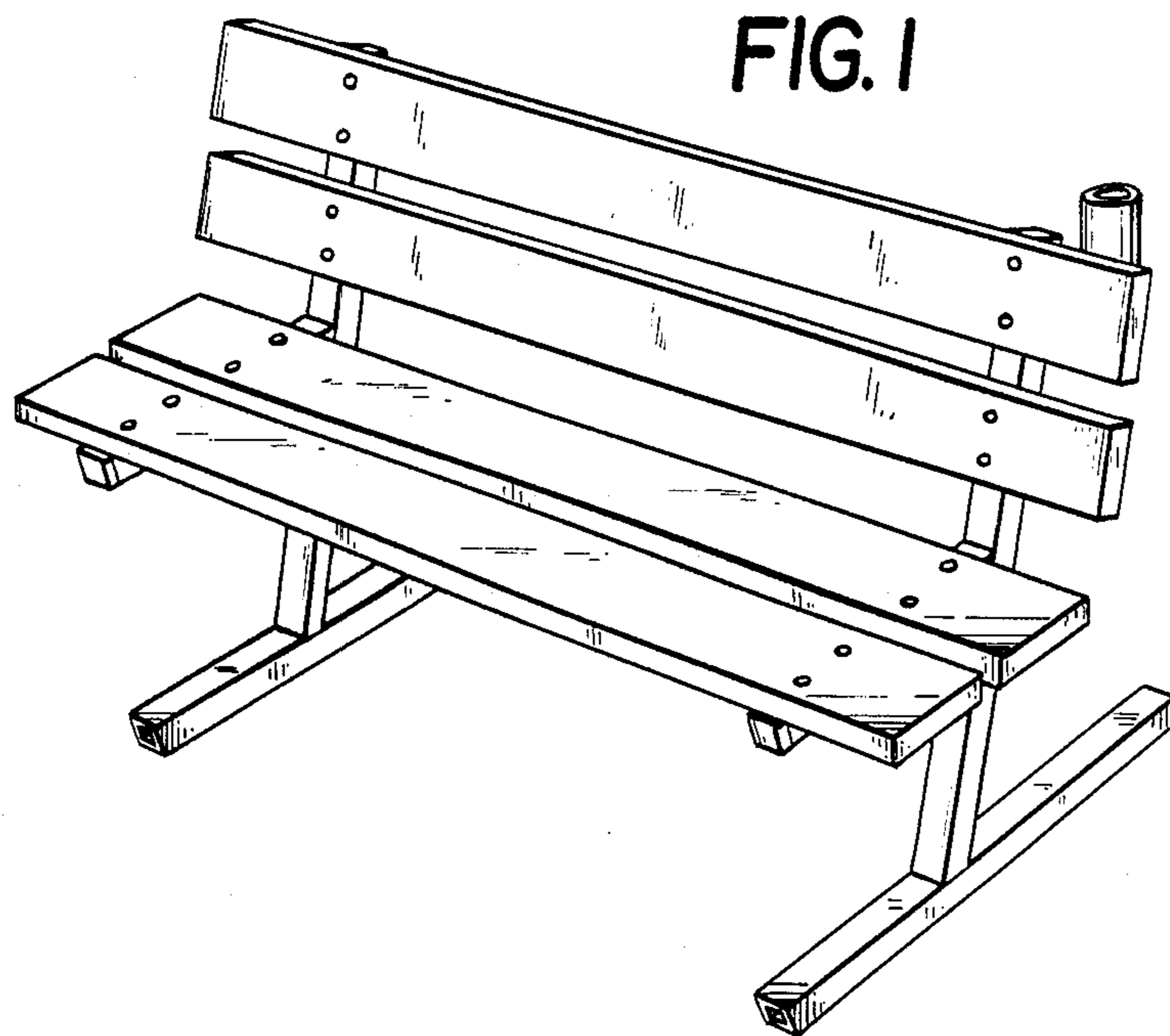
FIG. 6 is a top view thereof;

FIG. 7 is a bottom view thereof;

FIG. 8 is an enlarged sectional view taken along the line 8—8 of FIG. 6 showing the holder for a golf ball washer; and

FIG. 9 is an enlarged sectional view taken along the line 9—9 of FIG. 6 showing the holder for a waste receptacle.





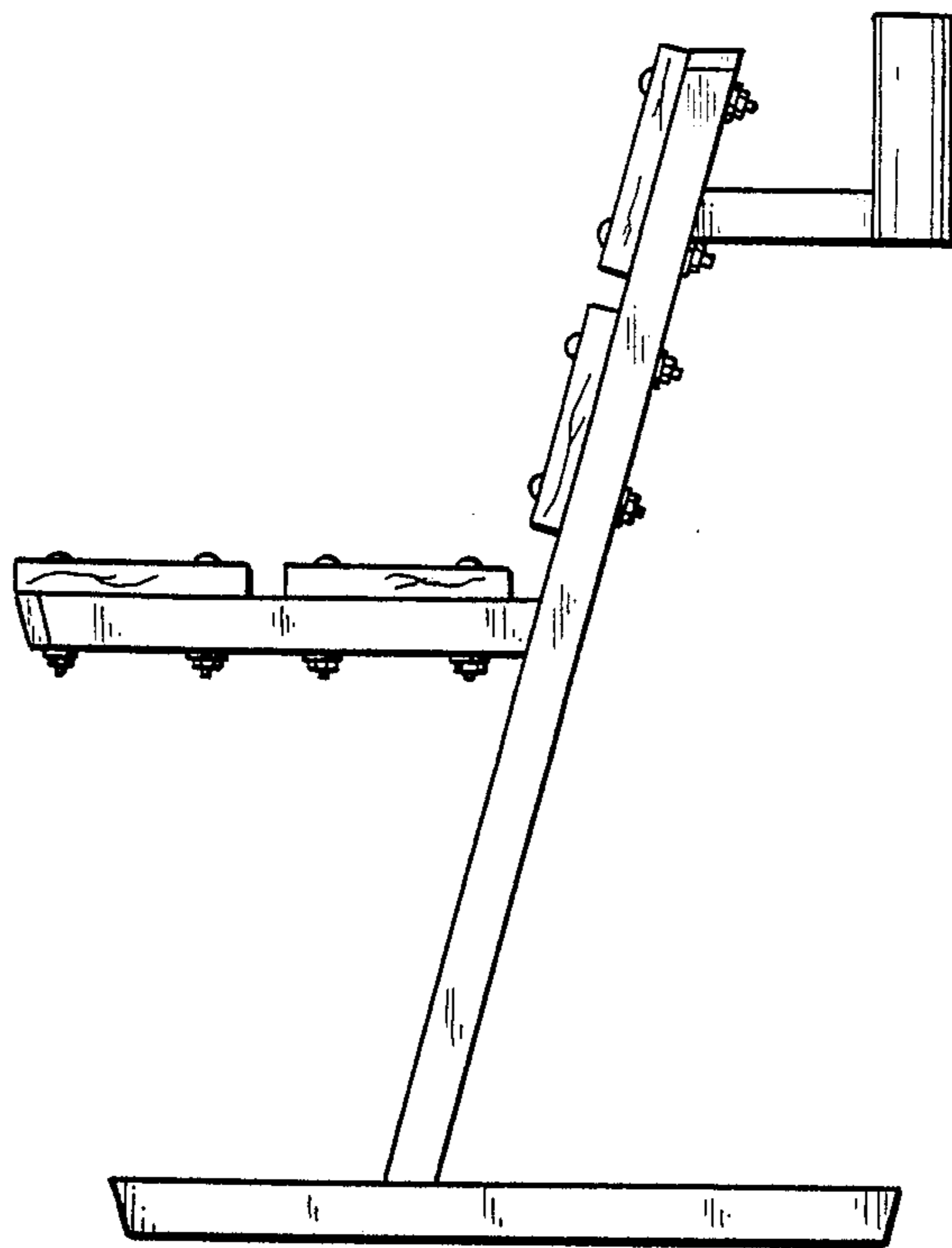


FIG. 4

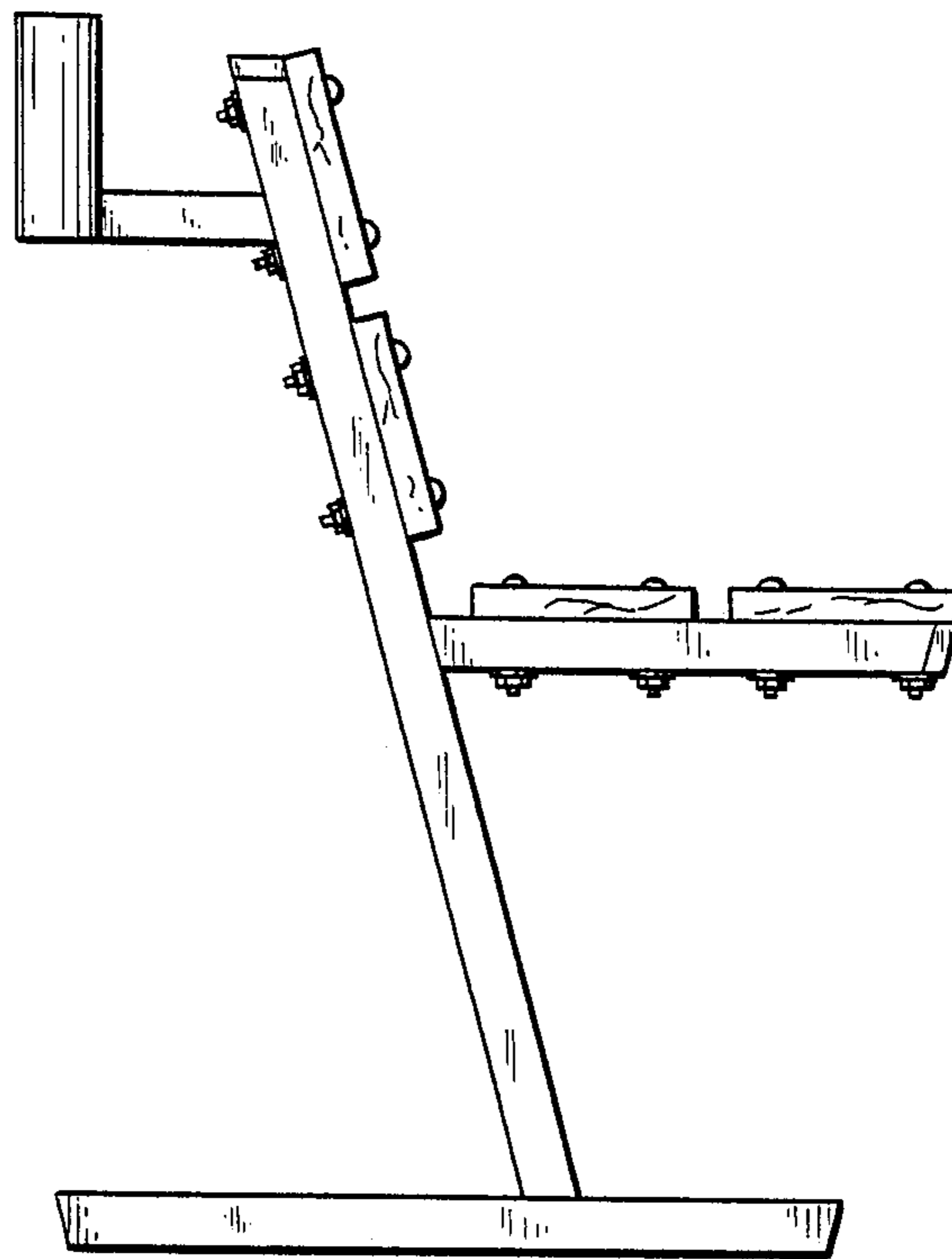


FIG. 5

