

[54] **TRAVEL BAG**

[76] **Inventor: James L. Thomas, 106 W. Fillmore Ave., St. Paul, Minn. 55107**

[**] **Term: 14 Years**

[21] **Appl. No.: 845,822**

[22] **Filed: Mar. 25, 1986**

[52] **U.S. Cl. D3/71**

[58] **Field of Search D3/30.1, 71, 74; 150/101, 104, 107, 108, 138; 190/109, 111, 112, 113, 903, 114; 383/41, 97, 14, 17, 19, 39, 40, 54, 92**

[56] **References Cited**

U.S. PATENT DOCUMENTS

D. 268,629 4/1983 Stark D3/71
D. 278,190 4/1985 Ganz D3/74 X

Primary Examiner—Bruce W. Dunkins
Assistant Examiner—Y. Brunot
Attorney, Agent, or Firm—Jacobson and Johnson

[57] **CLAIM**

The ornamental design for a travel bag, as shown.

DESCRIPTION

FIG. 1 is a perspective view of a travel bag, showing my design;

FIG. 2 is a front elevational view;

FIG. 3 is a side elevational view taken from the left of FIG. 1;

FIG. 4 is a side elevational view taken from the right of FIG. 1;

FIG. 5 is a rear elevational view;

FIG. 6 is a top plan view; and

FIG. 7 is a bottom plan view thereof.



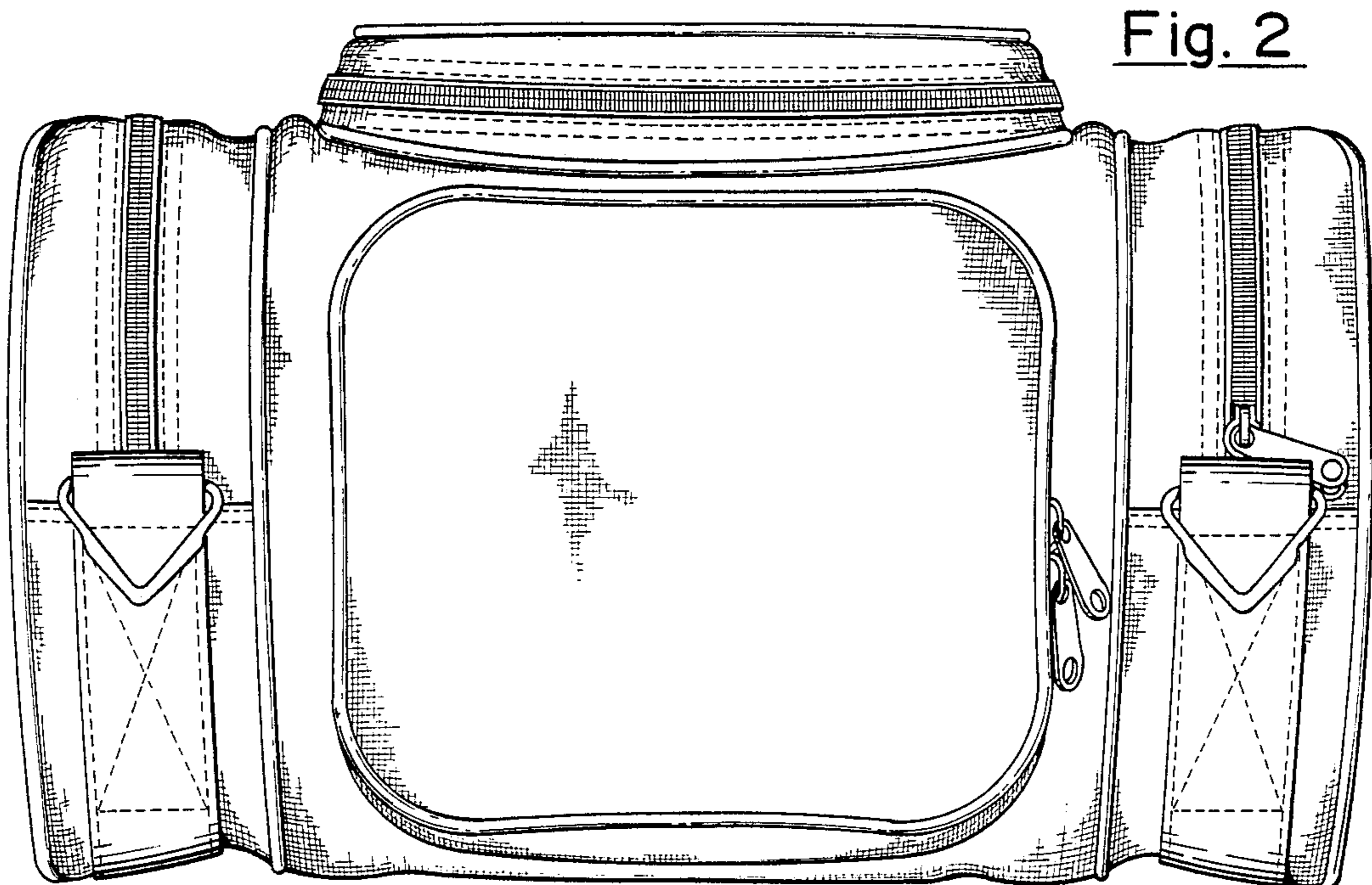
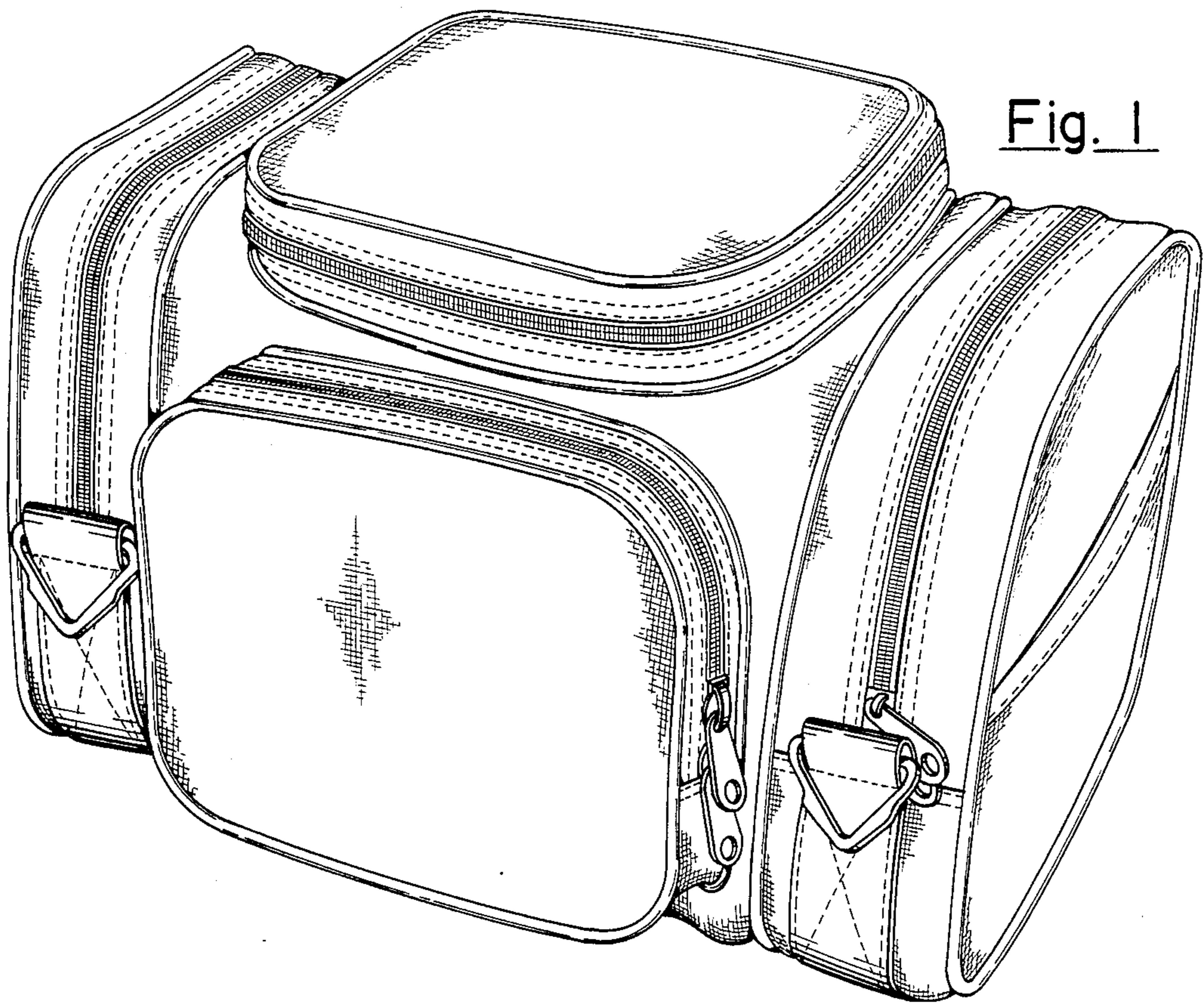


Fig. 3

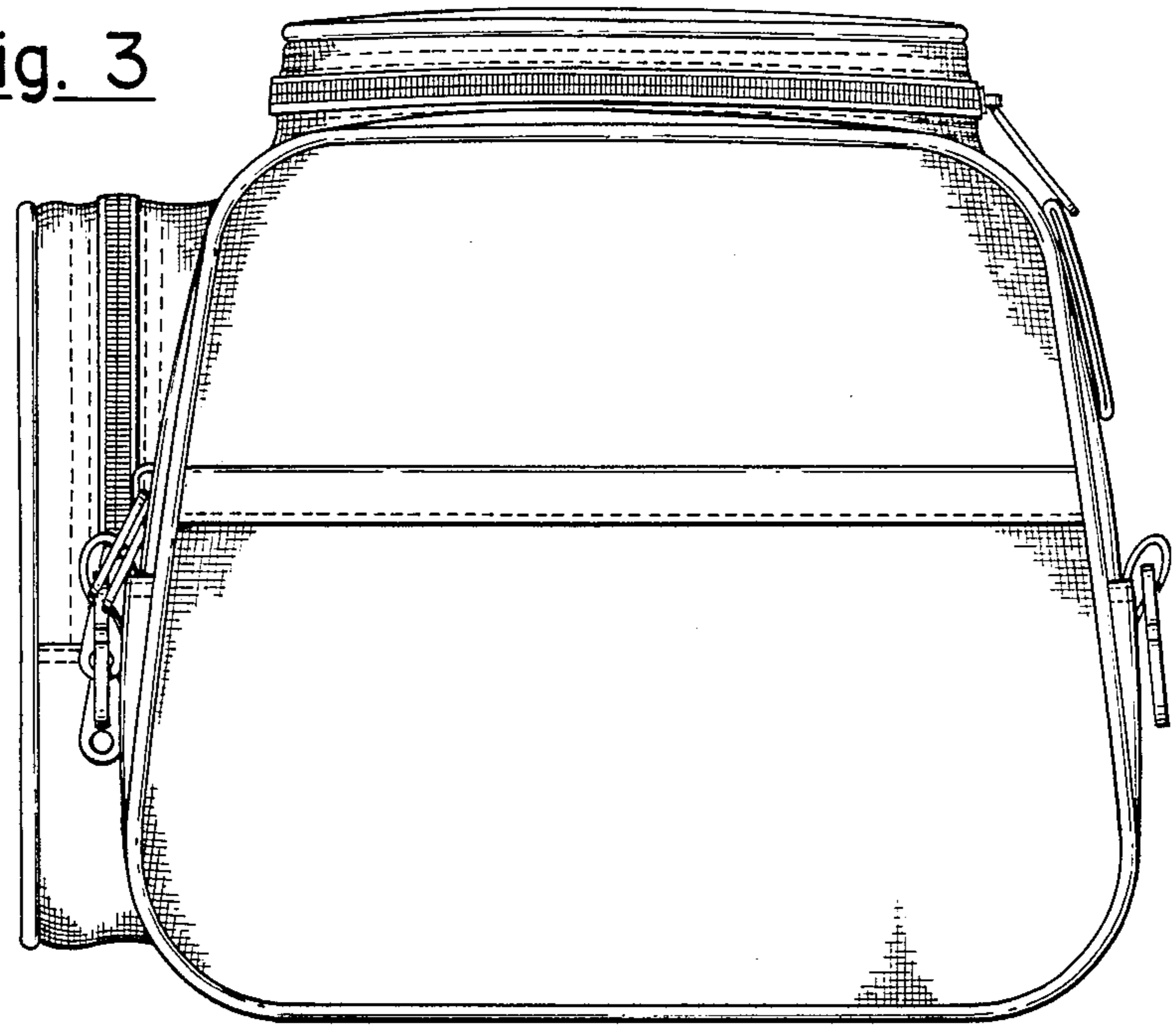
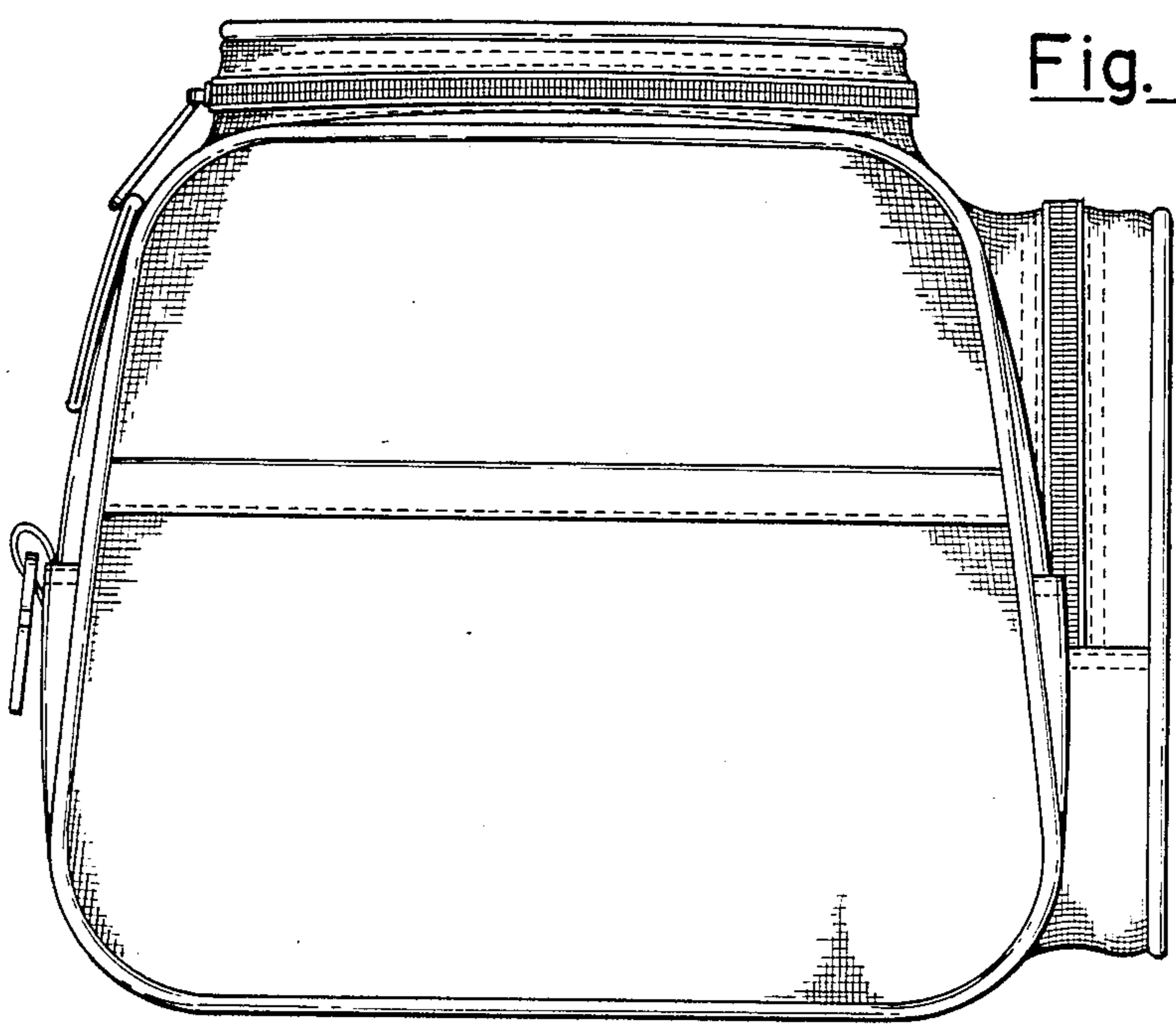


Fig. 4



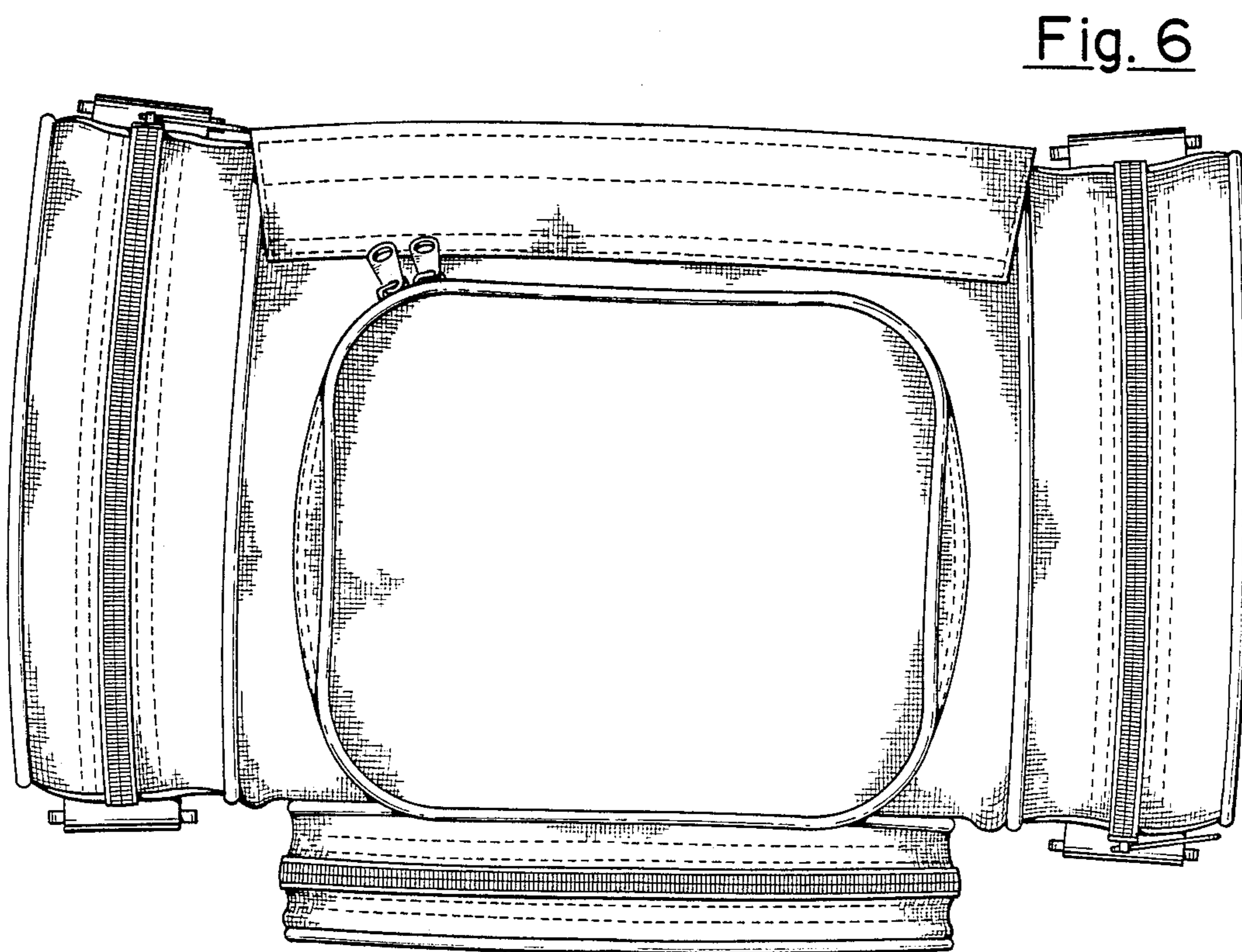
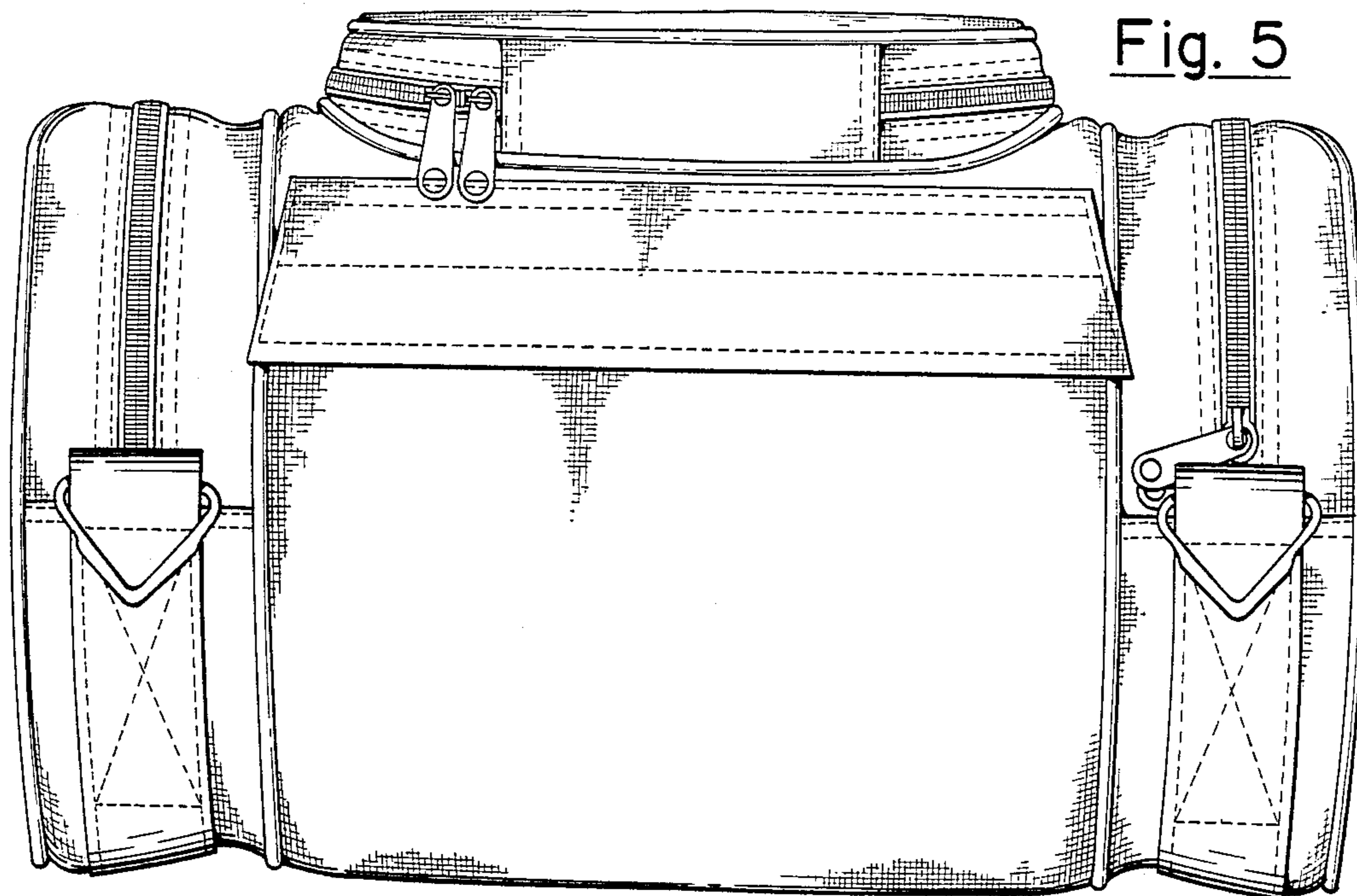


Fig. 7

